



US00D961368S

(12) **United States Design Patent** (10) **Patent No.:** **US D961,368 S**
Li (45) **Date of Patent:** **** Aug. 23, 2022**

(54) **FOLDING CLEAT**
(71) Applicant: **Meng Li**, Beijing (CN)
(72) Inventor: **Meng Li**, Beijing (CN)
(**) Term: **15 Years**
(21) Appl. No.: **29/801,608**
(22) Filed: **Jul. 29, 2021**
(51) **LOC (13) Cl.** **09-06**
(52) **U.S. Cl.**
USPC **D8/356**
(58) **Field of Classification Search**
USPC D8/356, 354, 349, 382; 361/826;
D12/317
CPC A63B 29/00; A63B 27/00; B63B 59/02;
B63B 21/045; H05K 5/0247
See application file for complete search history.

5,535,694 A * 7/1996 Czipri B63B 21/045
114/218
D401,842 S * 12/1998 Johnson, Jr. D8/356
5,983,820 A * 11/1999 Whitley B63B 21/045
114/218
D430,099 S * 8/2000 Sobey D21/771
D458,891 S * 6/2002 Whitley D12/317
D483,247 S * 12/2003 Pugh D8/356
D506,126 S * 6/2005 Amy D8/382
D516,898 S * 3/2006 Amy D8/356
D522,349 S * 6/2006 Amy D8/356
7,131,387 B1 * 11/2006 Czipri B63B 21/045
114/218
D533,442 S * 12/2006 Baylor D8/382
D541,635 S * 5/2007 Amy D8/356
D551,059 S * 9/2007 Wagner D8/356
D561,675 S 2/2008 Czipri
D578,380 S * 10/2008 Gassew D8/356
D615,019 S * 5/2010 Jien D8/356
D630,933 S * 1/2011 Marr, Jr. D8/356
D645,332 S * 9/2011 Tung D8/356

(Continued)

Primary Examiner — Cynthia R Underwood
(74) *Attorney, Agent, or Firm* — Justin Lampel

(56) **References Cited**
U.S. PATENT DOCUMENTS

2,833,240 A * 5/1958 Semolic B63B 21/045
114/218
3,905,322 A * 9/1975 Peterman B63B 21/045
D8/382
D247,364 S * 2/1978 Schulz D8/382
D250,571 S * 12/1978 Winslow D8/358
4,270,478 A * 6/1981 Kafka B63B 21/045
114/218
4,297,962 A * 11/1981 Johnson, Jr. B63B 21/045
248/499
4,354,445 A * 10/1982 Kafka B63C 3/06
114/218
4,809,634 A * 3/1989 Czipri B63B 21/045
114/218
5,301,627 A * 4/1994 Czipri B63B 21/045
114/218
5,438,944 A * 8/1995 Burke B63B 21/045
114/218

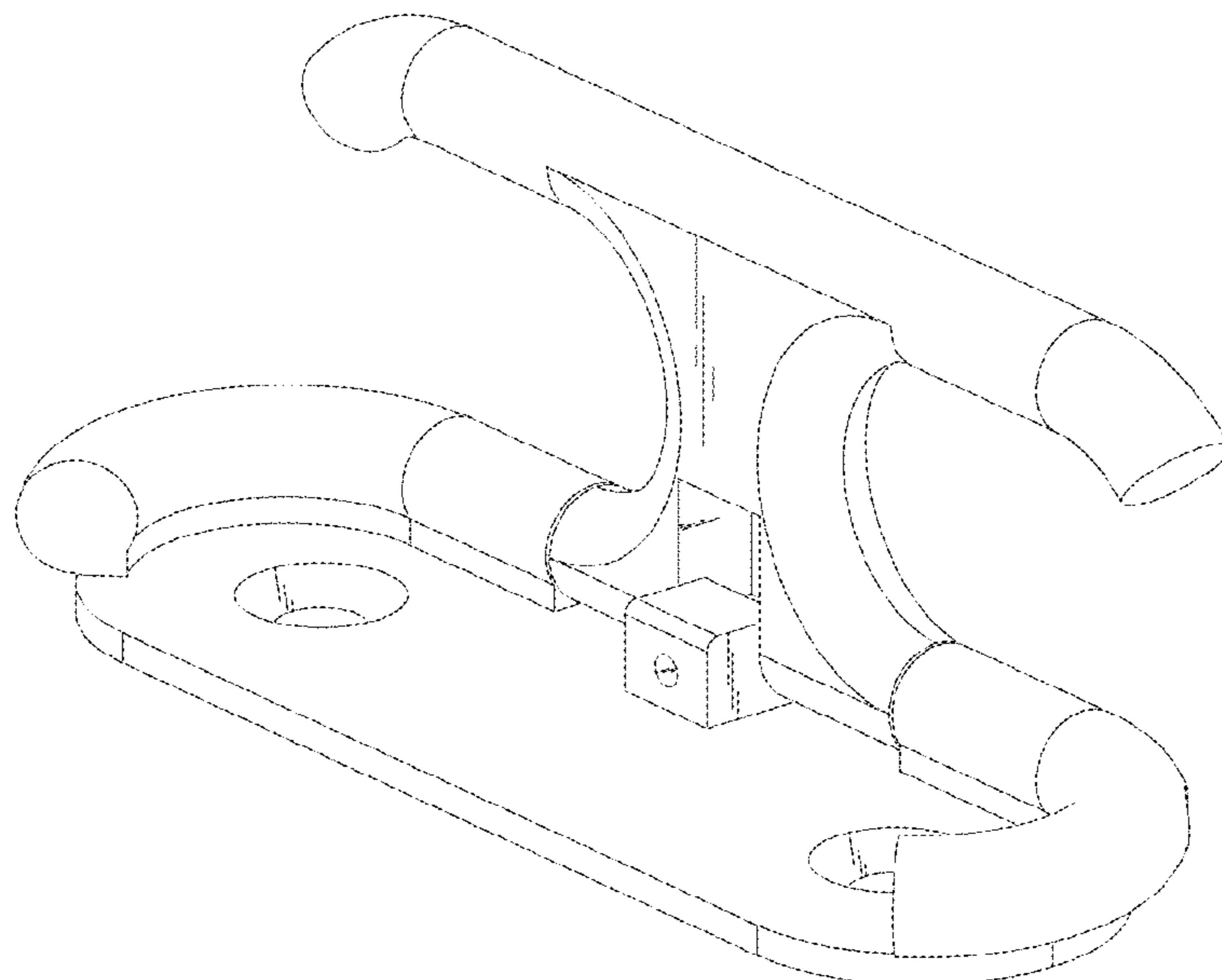
(57) **CLAIM**

The ornamental design for a folding cleat, as shown and described.

DESCRIPTION

FIG. 1 is a perspective view of a folding cleat showing the claimed design;
FIG. 2 is a top plan view thereof;
FIG. 3 is a left side view thereof;
FIG. 4 is a front elevational view thereof;
FIG. 5 is a right side view thereof;
FIG. 6 is a rear elevational view thereof; and,
FIG. 7 is a bottom plan view thereof.
The broken lines in FIG. 7 depict portion of the folding cleat that form no part of the claimed design.

1 Claim, 7 Drawing Sheets



(56)

References Cited

U.S. PATENT DOCUMENTS

8,025,431 B1 * 9/2011 Burke B63B 21/045
362/477
D737,502 S * 8/2015 Kirkham D26/143
D762,461 S * 8/2016 Kirkham D8/356
D821,186 S * 6/2018 Pratt D8/382
D830,948 S * 10/2018 Fenchak D12/414
D835,494 S * 12/2018 Loechel D8/356
10,501,154 B2 * 12/2019 Brezina B63B 17/00
D932,878 S * 10/2021 Tung D8/356
D933,458 S * 10/2021 Brown, Jr. D8/356

* cited by examiner

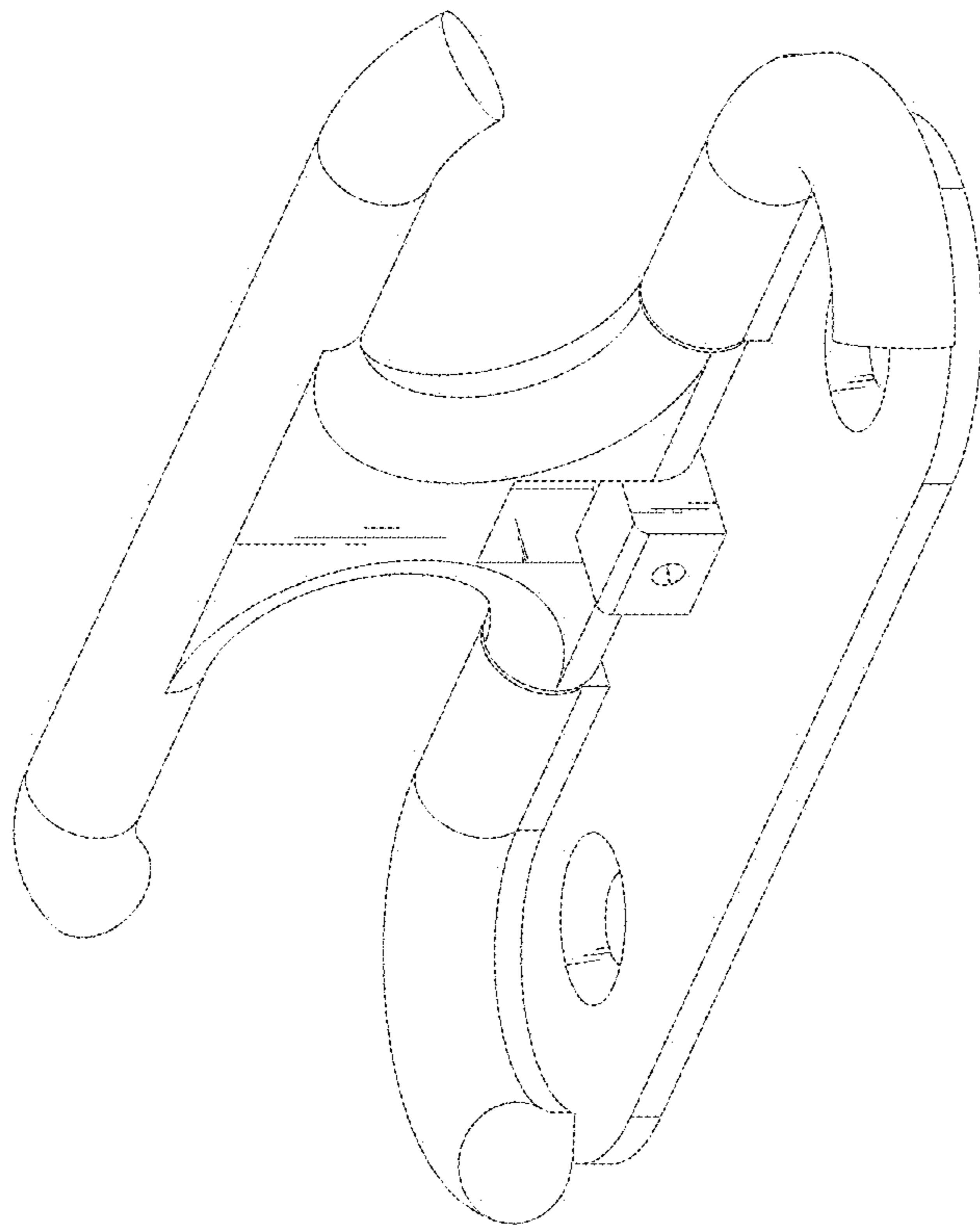


FIG. 1

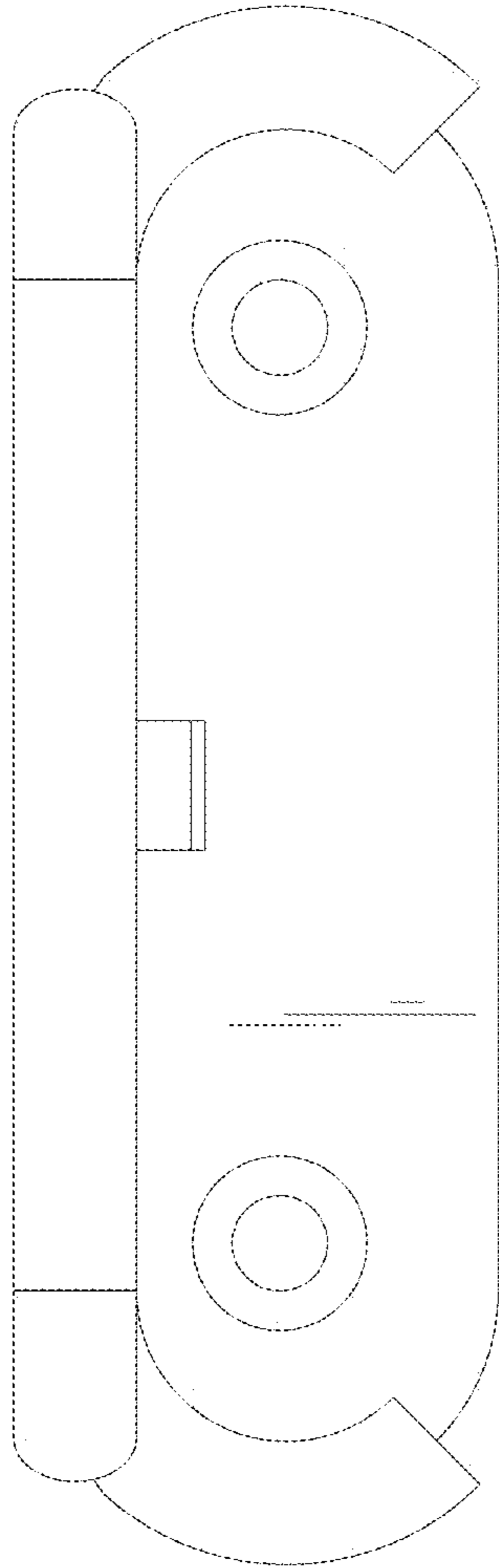


FIG. 2

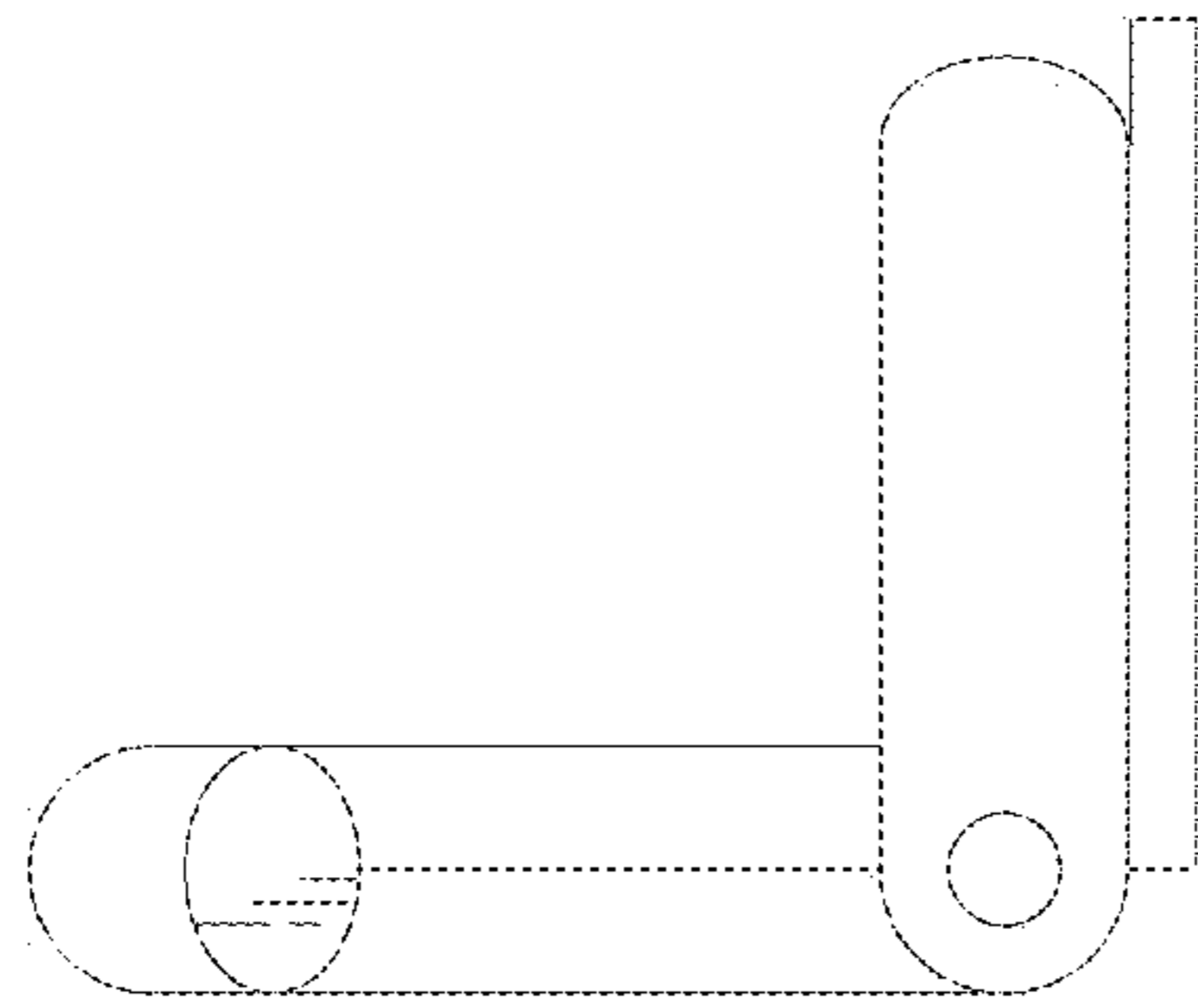


FIG. 3

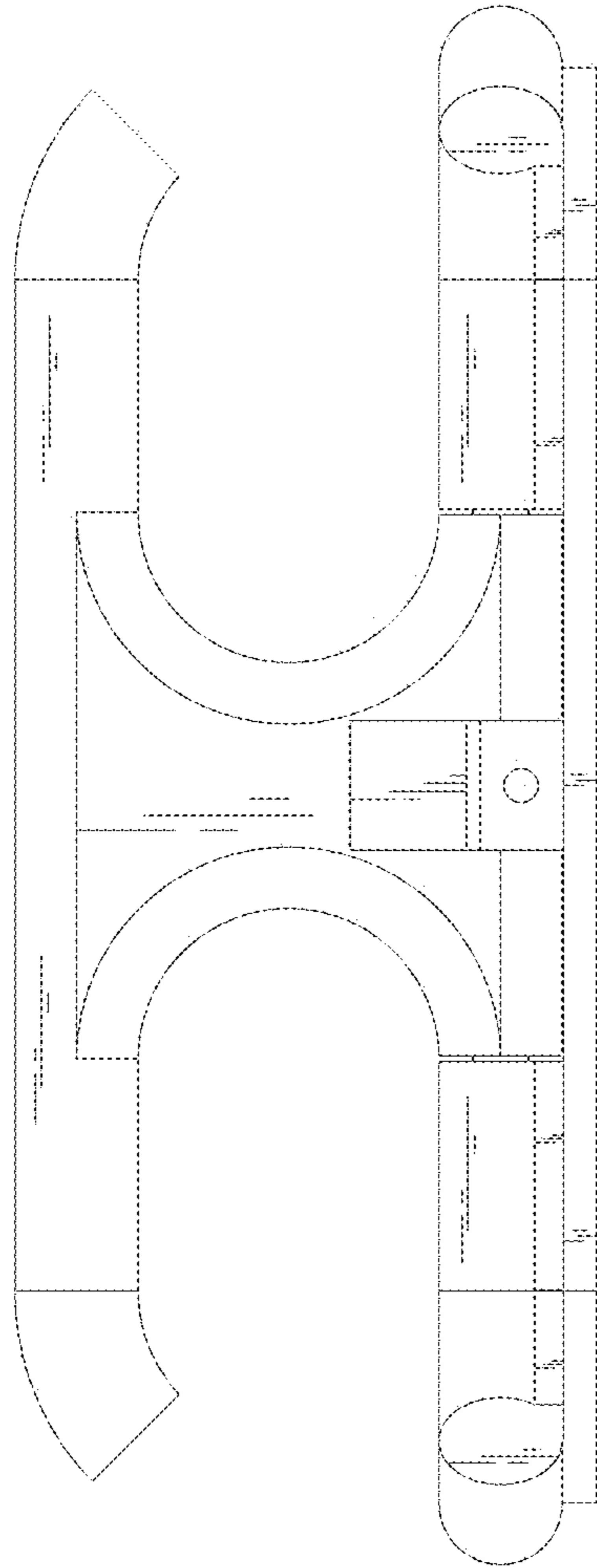


FIG. 4

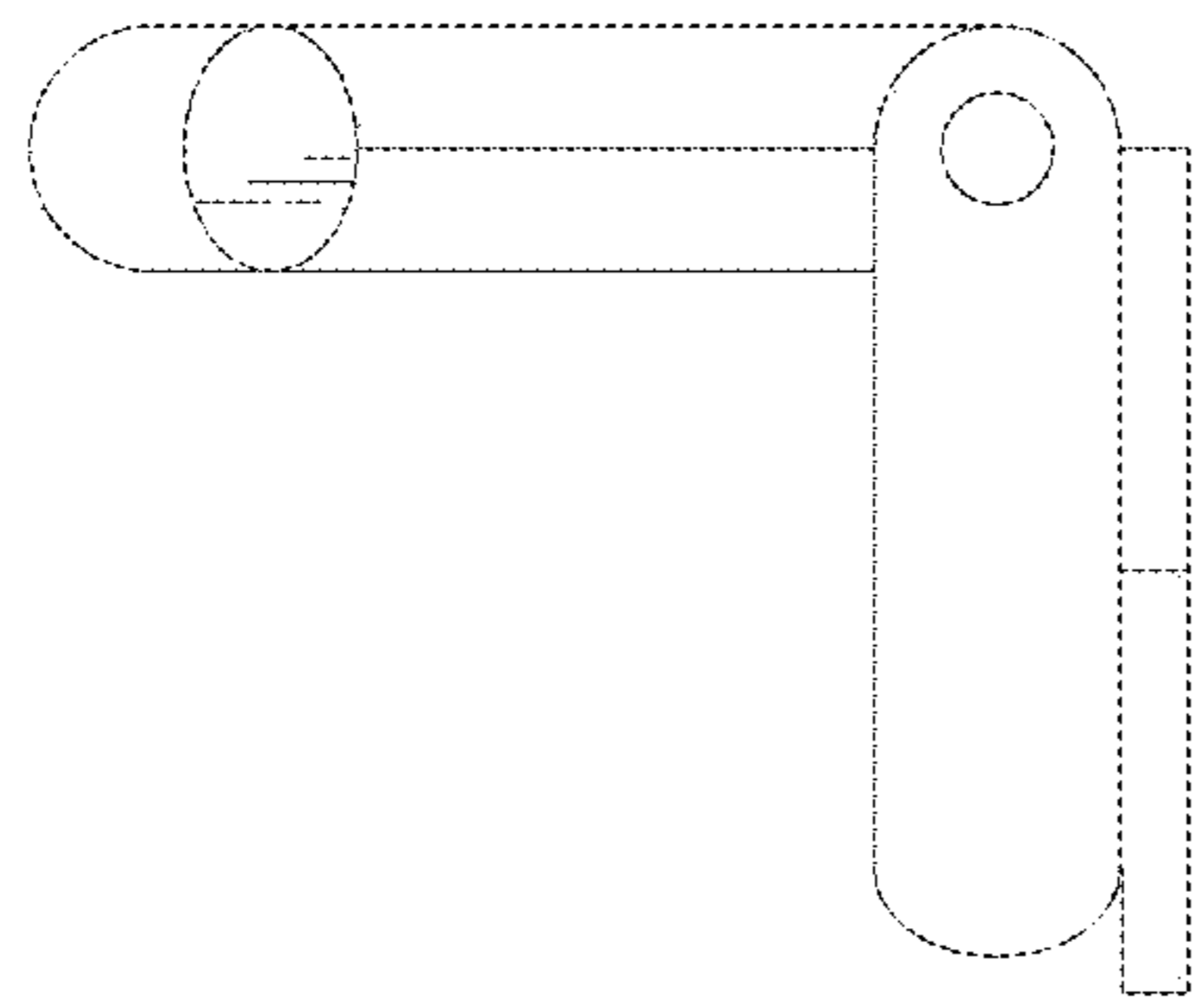


FIG. 5

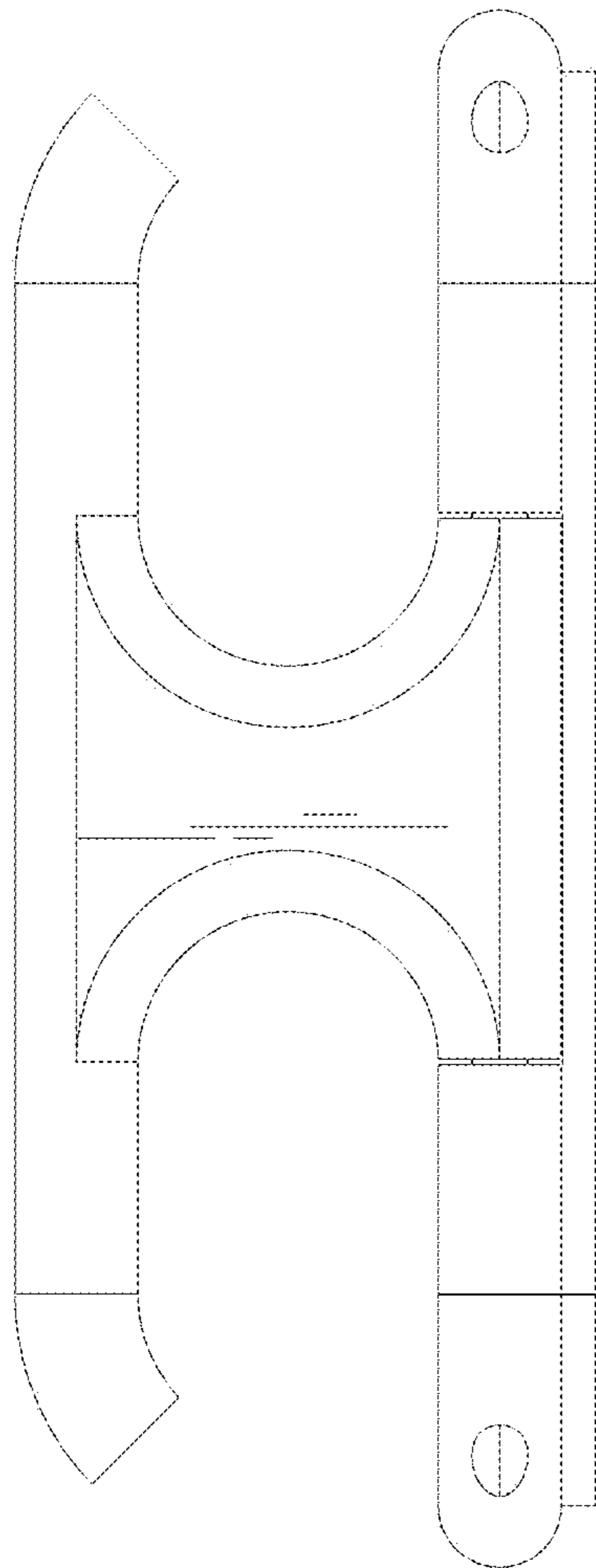


FIG. 6

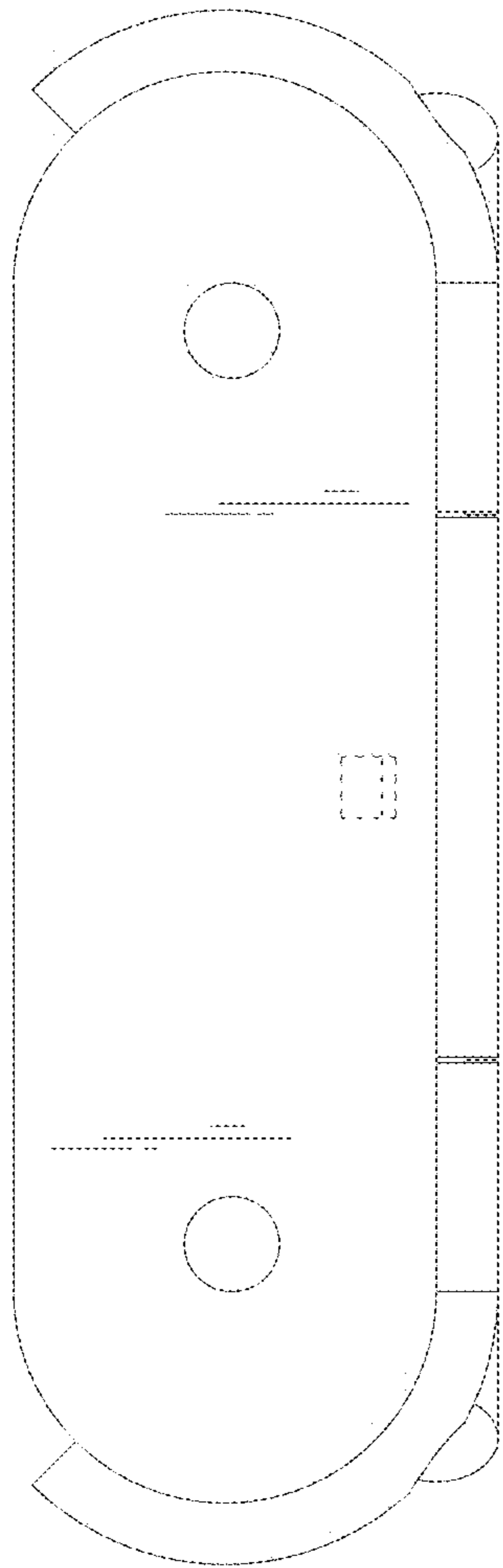


FIG. 7