



US00D961366S

(12) **United States Design Patent**  
**Li**

(10) **Patent No.:** **US D961,366 S**

(45) **Date of Patent:** **\*\* Aug. 23, 2022**

(54) **OPEN BASE CLEAT**

(71) Applicant: **Meng Li**, Beijing (CN)

(72) Inventor: **Meng Li**, Beijing (CN)

(\*\*) Term: **15 Years**

(21) Appl. No.: **29/801,077**

(22) Filed: **Jul. 26, 2021**

(51) **LOC (13) Cl.** ..... **09-06**

(52) **U.S. Cl.**  
USPC ..... **D8/356**

(58) **Field of Classification Search**  
USPC ..... D8/356, 354, 349, 382; 361/826;  
D12/317

CPC ..... A63B 29/00; A63B 27/00; B63B 59/02;  
B63B 21/045; H05K 5/0247

See application file for complete search history.

(56) **References Cited**

**U.S. PATENT DOCUMENTS**

2,833,240	A *	5/1958	Semolic	.....	B63B 21/045 114/218
D197,344	S *	1/1964	Jerauld et al.	.....	D8/358
3,905,322	A *	9/1975	Peterman	.....	B63B 21/045 D8/382
D247,364	S *	2/1978	Schulz	.....	D8/382
D250,571	S *	12/1978	Winslow	.....	D8/358
4,297,962	A *	11/1981	Johnson, Jr.	.....	B63B 21/045 248/499
D506,126	S *	6/2005	Amy	.....	D8/382
D516,898	S *	3/2006	Amy	.....	D8/356
D522,349	S *	6/2006	Amy	.....	D8/356

D533,442	S *	12/2006	Baylor	.....	D8/382
D541,635	S *	5/2007	Amy	.....	D8/356
D551,059	S *	9/2007	Wagner	.....	D8/356
D561,675	S	2/2008	Czipri	.....	
D578,380	S *	10/2008	Gassew	.....	D8/356
D630,933	S *	1/2011	Marr, Jr.	.....	D8/356
8,025,431	B1 *	9/2011	Burke	.....	B63B 21/045 362/477
D737,502	S *	8/2015	Kirkham	.....	D26/143
D762,461	S *	8/2016	Kirkham	.....	D8/356
D821,186	S *	6/2018	Pratt	.....	D8/382
D830,948	S *	10/2018	Fenchak	.....	D12/414
D835,494	S *	12/2018	Loechel	.....	D8/356
10,501,154	B2 *	12/2019	Brezina	.....	B63B 17/00
D932,878	S *	10/2021	Tung	.....	D8/356
D933,458	S *	10/2021	Brown, Jr.	.....	D8/356

\* cited by examiner

*Primary Examiner* — Cynthia R Underwood

(74) *Attorney, Agent, or Firm* — Justin Lampel

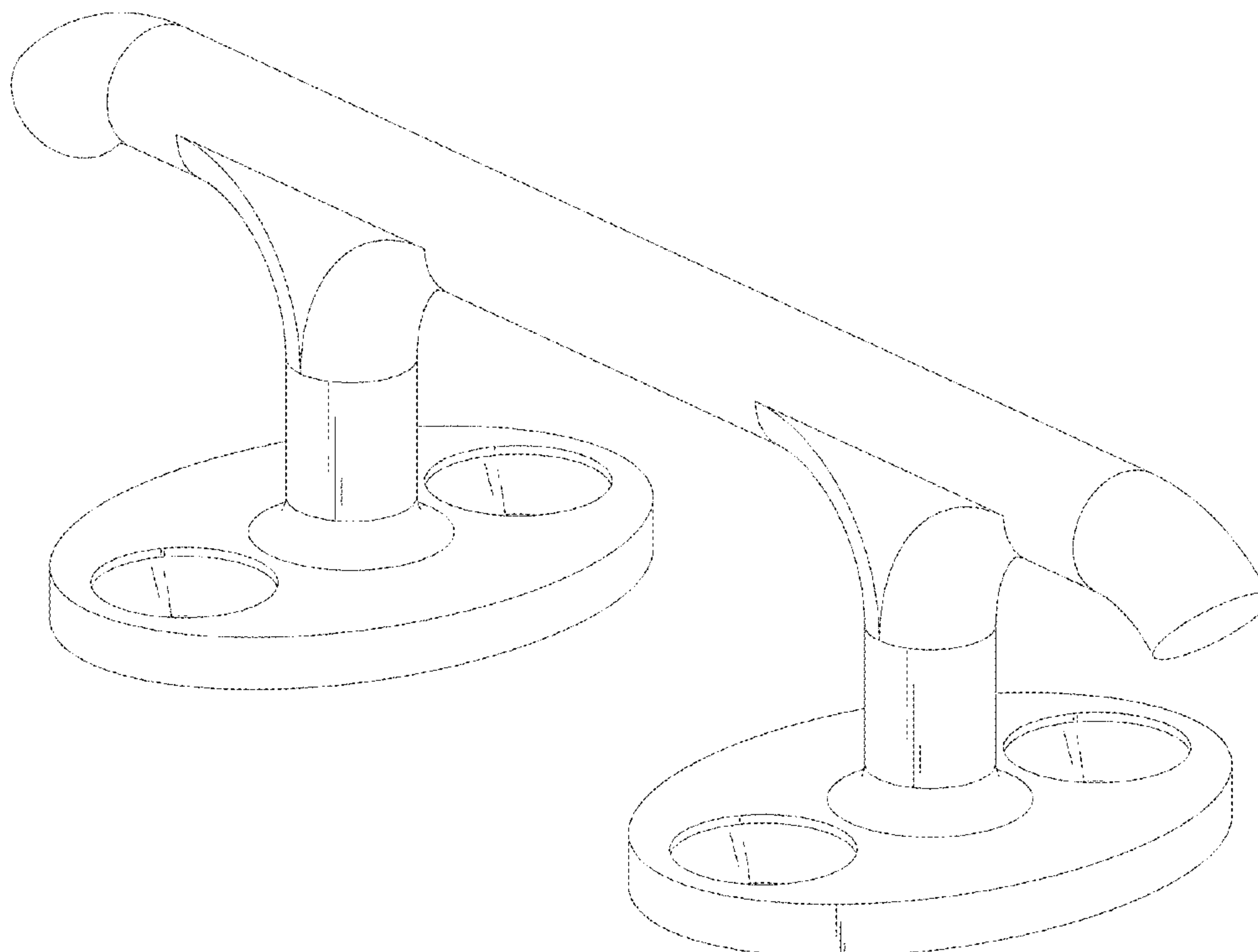
(57) **CLAIM**

The ornamental design for an open base cleat, as shown and described.

**DESCRIPTION**

FIG. 1 is a perspective view of an open base cleat showing the claimed design;  
FIG. 2 is a top plan view thereof;  
FIG. 3 is a left side view thereof;  
FIG. 4 is a front elevational view thereof;  
FIG. 5 is a right side view thereof;  
FIG. 6 is a rear elevational view thereof; and,  
FIG. 7 is a bottom plan view thereof.

**1 Claim, 7 Drawing Sheets**



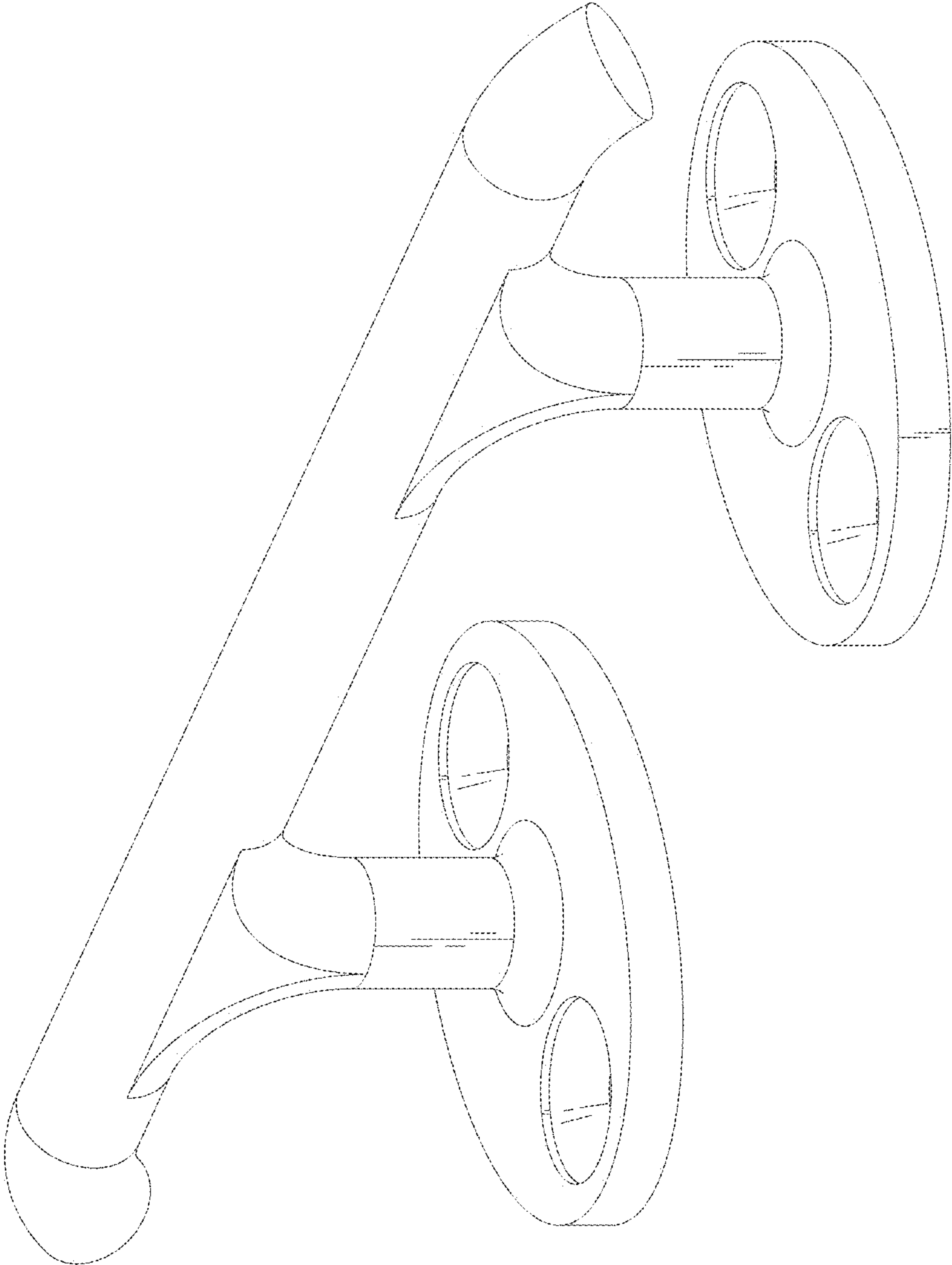


FIG. 1

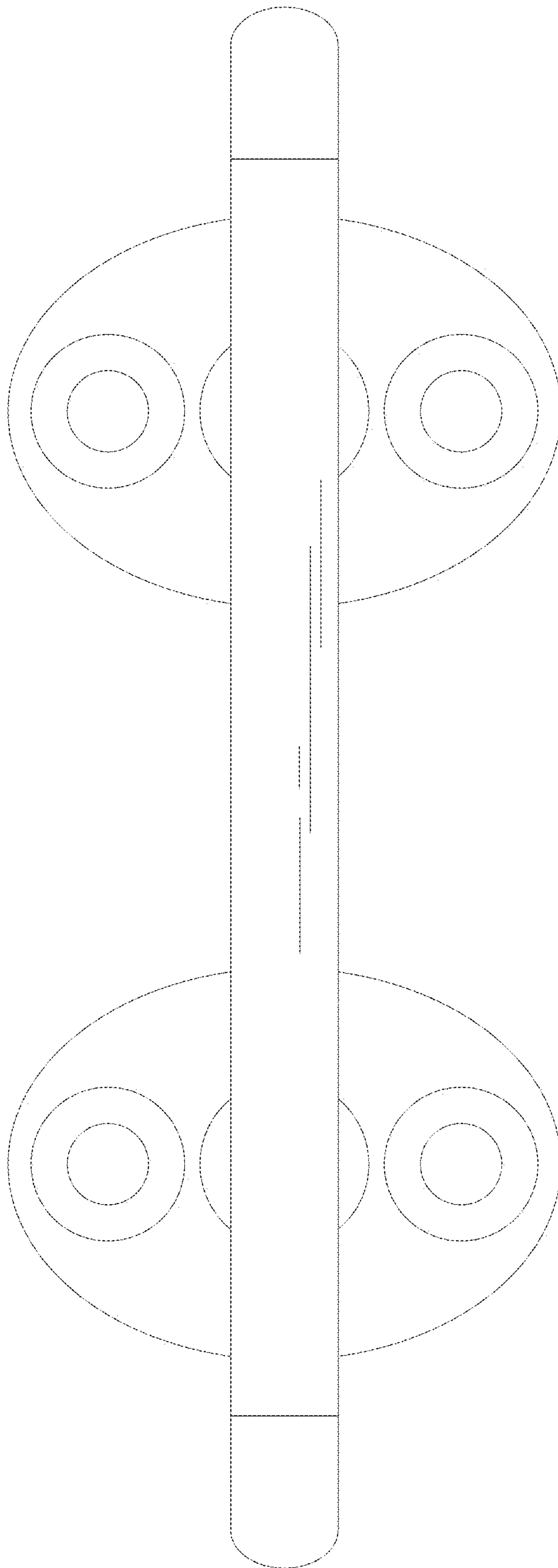


FIG. 2

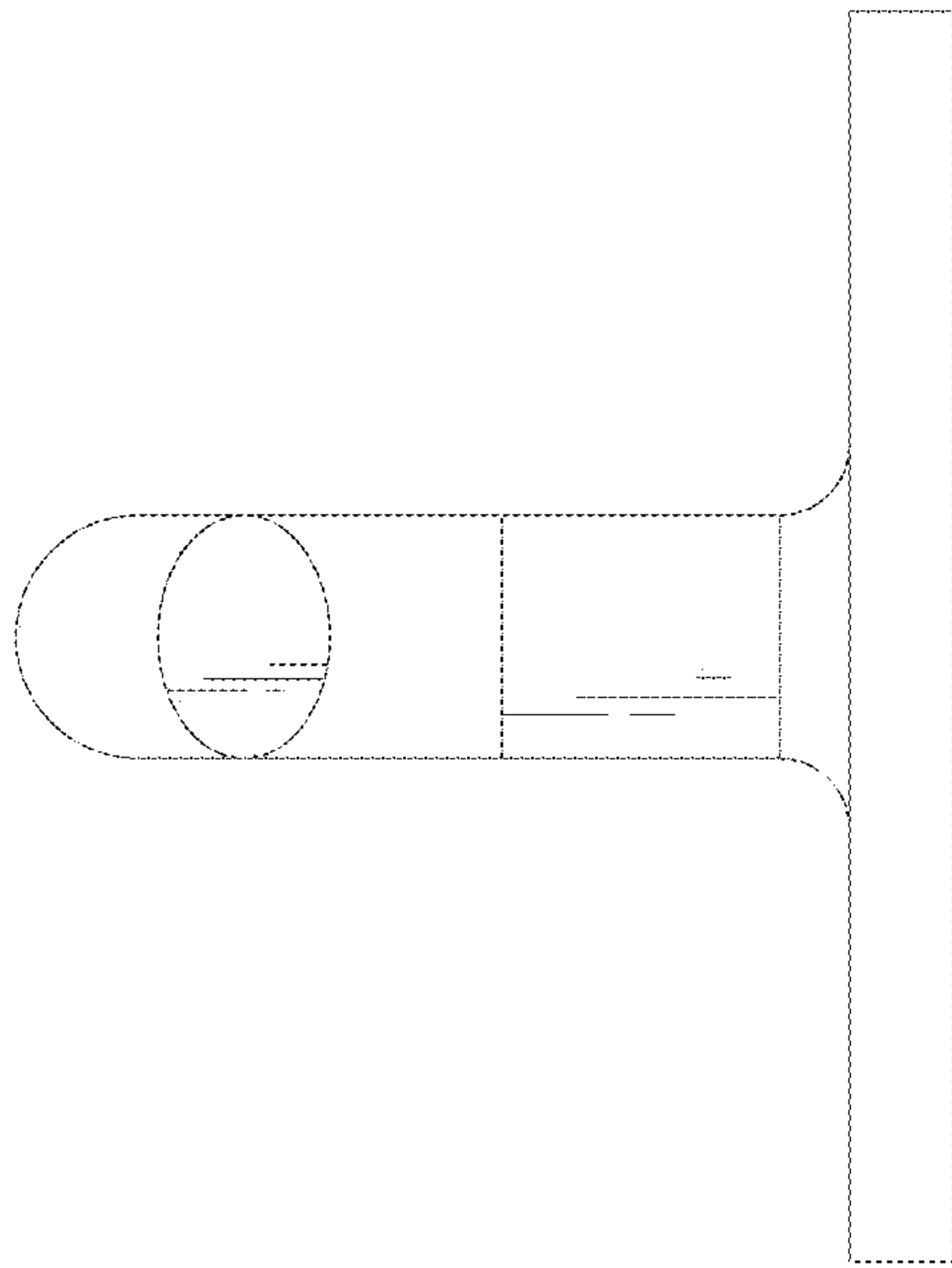


FIG. 3

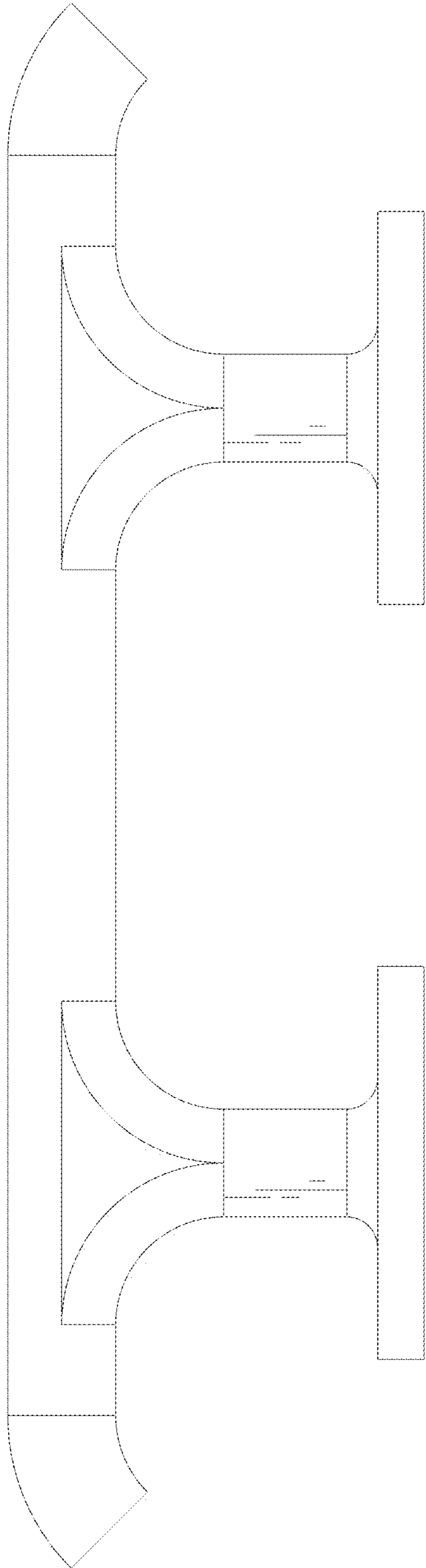


FIG. 4

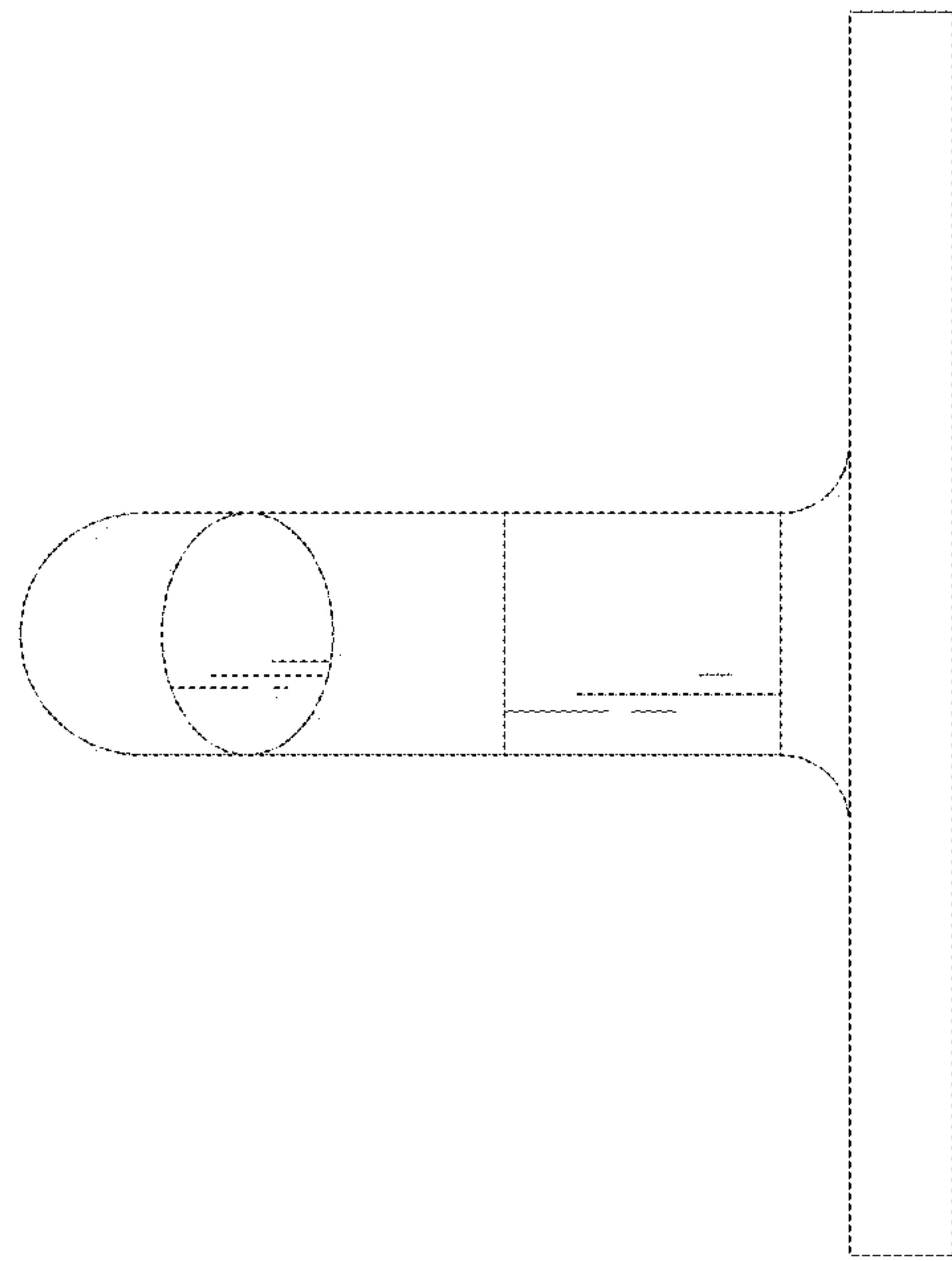


FIG. 5

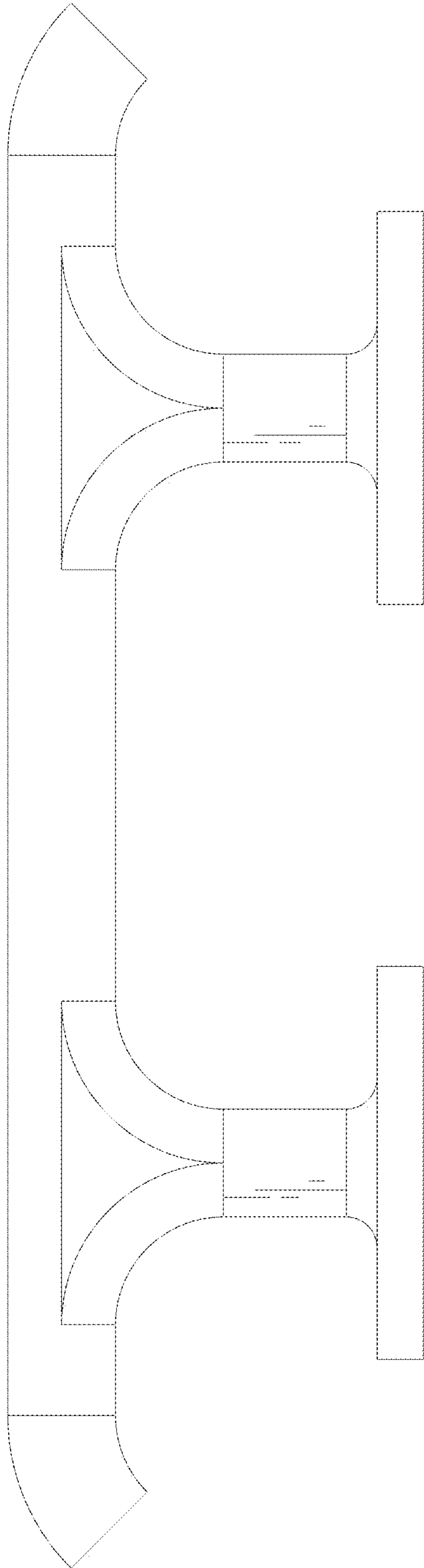


FIG. 6

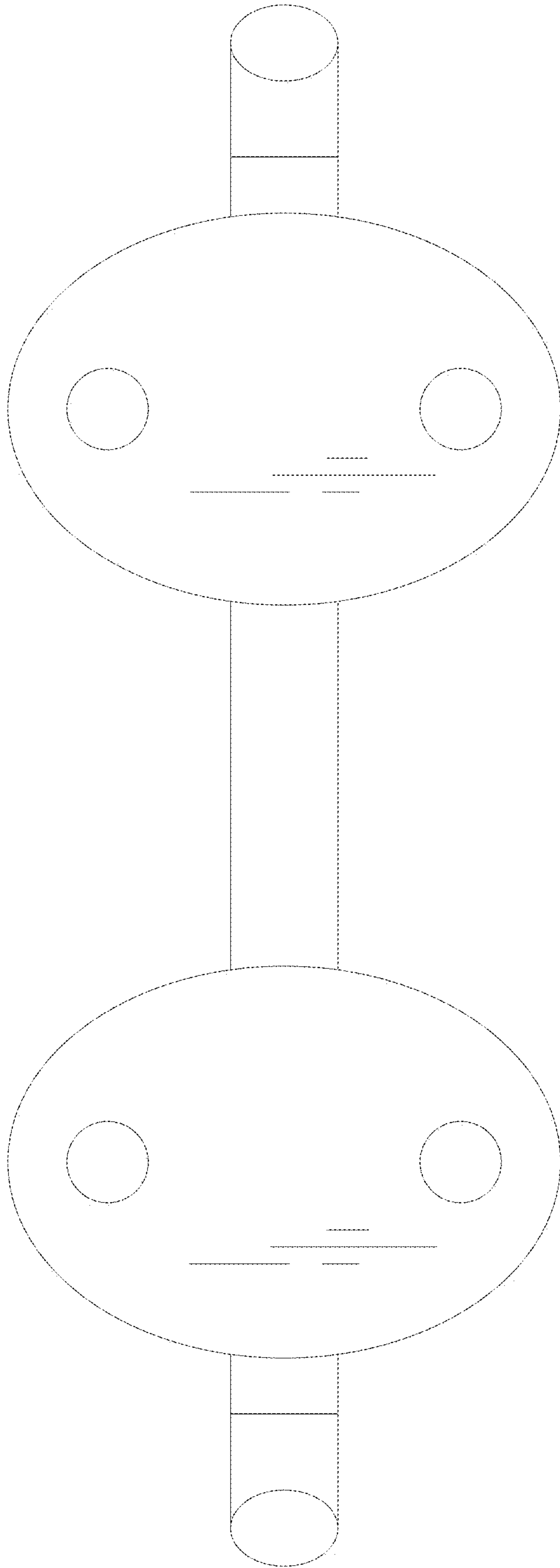


FIG. 7