



US00D961365S

(12) **United States Design Patent**
Rudolph et al.

(10) **Patent No.:** **US D961,365 S**
(45) **Date of Patent:** **** Aug. 23, 2022**

- (54) **CLIP**
- (71) Applicant: **Wiggle and Thump LLC**, St. Joseph, MI (US)
- (72) Inventors: **James Robert Rudolph**, St. Joseph, MI (US); **Morgan Carlson Rudolph**, St. Joseph, MI (US)
- (73) Assignee: **Wiggle and Thump LLC**, St. Joseph, MI (US)
- (**) Term: **15 Years**
- (21) Appl. No.: **29/743,542**
- (22) Filed: **Jul. 22, 2020**
- (51) **LOC (13) Cl.** **09-06**
- (52) **U.S. Cl.**
USPC **D8/356**
- (58) **Field of Classification Search**
USPC D8/356, 354, 349, 367, 394, 395, 396, D8/397, 382, 399; 248/74.1, 74.2, 74.3, 248/74.4; 411/427, 374
CPC B65D 63/16; F16B 2/08; F16B 41/002; F16B 23/0061; F16B 37/14; F16B 35/00; A44B 11/04; A44B 6/00; F16G 11/14; B60R 22/24; A61B 17/0401; E04D 13/1476; E04G 25/065
See application file for complete search history.

2,293,562 A *	8/1942	Rosenthal	A44B 11/04 24/200
3,121,270 A *	2/1964	Van Den Broek	B65D 63/16 24/312
3,161,931 A *	12/1964	Zif	A41F 1/006 24/200
3,293,713 A *	12/1966	Gaylord	A44B 11/10 24/196
4,123,012 A *	10/1978	Hough	B65H 75/06 242/405.2
5,123,153 A *	6/1992	Krauss	A44B 11/10 24/171
5,205,021 A *	4/1993	Durand	A44B 11/12 24/163 R
5,285,555 A *	2/1994	Bell	A44B 11/10 24/171
D344,695 S *	3/1994	Baumann	D34/28
D356,658 S *	3/1995	Bernart	D2/624
D445,723 S *	7/2001	Kim	D11/218
D446,163 S *	8/2001	Chung	D11/218
6,286,777 B1 *	9/2001	Black	B65H 75/06 242/388.6

(Continued)

Primary Examiner — Cynthia R Underwood
(74) *Attorney, Agent, or Firm* — GTC Law Group PC & Affiliates

(57) **CLAIM**

The ornamental design for a clip, as shown.

DESCRIPTION

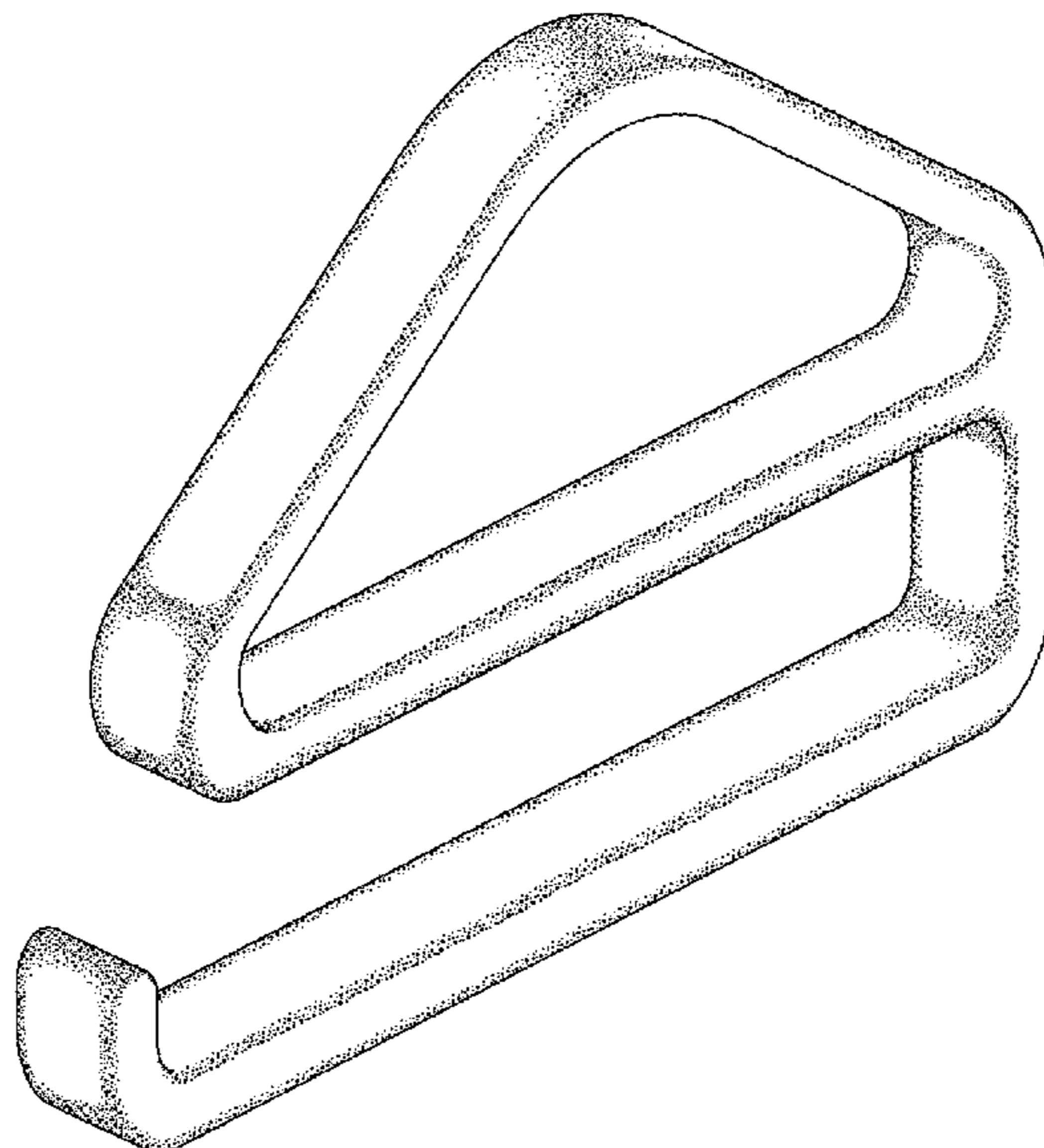
FIG. 1 is a perspective view of a clip; FIG. 2 is a front plan view of the clip; FIG. 3 is a rear plan view of the clip; FIG. 4 is a right side plan view of the clip; FIG. 5 is a left side plan view of the clip; FIG. 6 is a top plan view of the clip; and, FIG. 7 is a bottom plan view of the clip. Stippling has been used to depict curvature.

1 Claim, 4 Drawing Sheets

(56) **References Cited**

U.S. PATENT DOCUMENTS

1,049,732 A *	1/1913	Kerngood	A44B 11/10 24/194
1,860,170 A *	5/1932	Bronson	A44B 11/04 24/198
2,212,862 A *	8/1940	Hirsh	A44B 11/04 24/198
2,285,714 A *	6/1942	Hirsh	A44B 11/04 24/199



(56)

References Cited

U.S. PATENT DOCUMENTS

D483,294 S *	12/2003	Uehara	D11/218	D839,719 S *	2/2019	Burrell	D8/356
D507,509 S *	7/2005	Hou	D11/218	D840,869 S *	2/2019	Koreishi	D11/218
D508,218 S *	8/2005	Yoshiguchi	D11/218	D840,870 S *	2/2019	Koreishi	D11/218
D510,297 S *	10/2005	Funo	D11/218	D842,078 S *	3/2019	Martino	D8/356
D511,595 S *	11/2005	Bates	54/42.1	D843,887 S *	3/2019	Frost	D11/218
D564,409 S *	3/2008	Pontaoe	D11/218	D847,016 S *	4/2019	Stringham	D11/218
D576,077 S *	9/2008	Yoshiguchi	D11/218	D868,625 S *	12/2019	Paik	D11/218
7,552,515 B2 *	6/2009	Funo	A44B 11/04	10,531,710 B2 *	1/2020	Allen	A44B 11/2557
				D877,280 S *	3/2020	Eitan	D22/108
D612,765 S *	3/2010	Fildan	D11/218	10,602,807 B2 *	3/2020	Ben-Arie	A43C 11/14
D619,497 S *	7/2010	Paik	D11/218	10,617,179 B2 *	4/2020	Fiedler	A44B 11/12
D619,498 S *	7/2010	Paik	D11/218	10,654,442 B2 *	5/2020	Wang	A44B 11/2557
D649,907 S *	12/2011	Kataguchi	D11/218	D886,669 S *	6/2020	Spater	D11/218
D661,573 S *	6/2012	Paik	D8/367	D903,527 S *	12/2020	Spater	D11/218
D668,580 S *	10/2012	Kax	D11/218	D908,473 S *	1/2021	Montes	D8/356
D686,059 S *	7/2013	Paik	D8/356	D911,153 S *	2/2021	Auston	D8/356
D701,110 S *	3/2014	Symons	D8/373	D911,823 S *	3/2021	Auston	D8/356
D731,921 S *	6/2015	Kung	D11/218	D911,824 S *	3/2021	Auston	D8/356
D741,148 S *	10/2015	Liu	D11/218	10,994,694 B2 *	5/2021	Wang	B60R 22/201
9,155,360 B1 *	10/2015	Mowad	A41F 9/002	D928,032 S *	8/2021	Okumu	A44B 6/00
D742,722 S *	11/2015	Paik	D8/356				D11/202
D763,666 S *	8/2016	Wengreen	D8/356	11,122,912 B2 *	9/2021	Massale	A47C 31/11
9,433,259 B2 *	9/2016	Jacobsen	A44B 11/10	D946,667 S *	3/2022	Hagler	D8/356
D782,287 S *	3/2017	Chen	D8/356	2013/0333119 A1 *	12/2013	Maynard	B25F 1/00
9,743,717 B2 *	8/2017	Custer	A44B 11/22				7/163
D808,251 S *	1/2018	Hetrick	D8/356	2014/0018807 A1 *	1/2014	Foerster	A61B 17/8869
D823,717 S *	7/2018	Ho	D11/218				606/74
10,039,349 B2 *	8/2018	Muller	A42B 3/08	2014/0140784 A1 *	5/2014	Vick	A44B 11/04
D829,128 S *	9/2018	Webb	D11/200				410/97
D830,226 S *	10/2018	Chang	D11/218	2014/0338157 A1 *	11/2014	Iannello	A45F 5/02
D830,948 S *	10/2018	Fenchak	D12/414				24/318
D839,084 S *	1/2019	Mikoska	D8/356	2015/0272280 A1 *	10/2015	Muller	A42B 3/08
10,188,177 B2 *	1/2019	Prugue	A44B 11/04				24/68 E
				2017/0273378 A1 *	9/2017	Parker-Austin	A41F 15/002

* cited by examiner

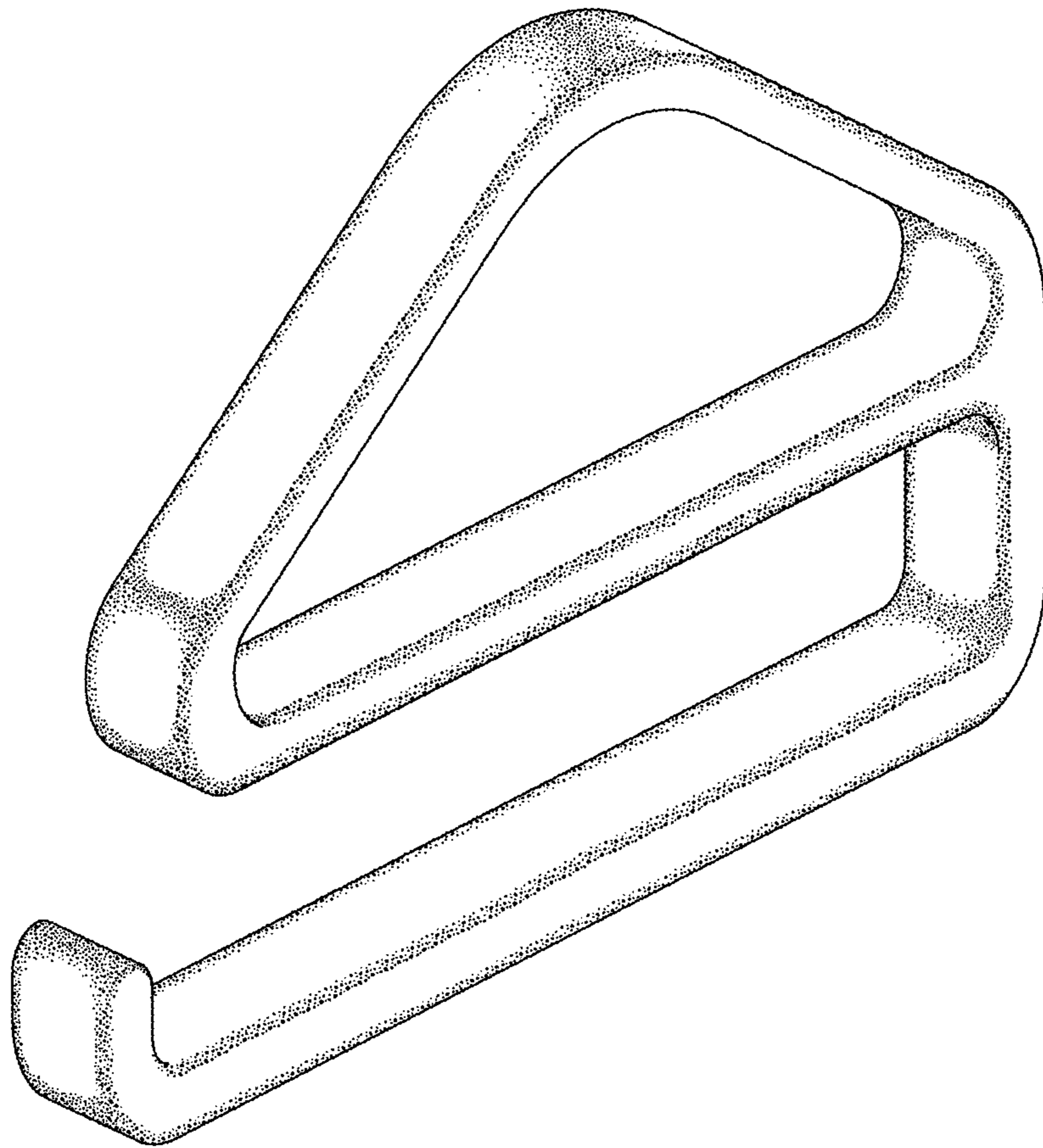


FIG. 1

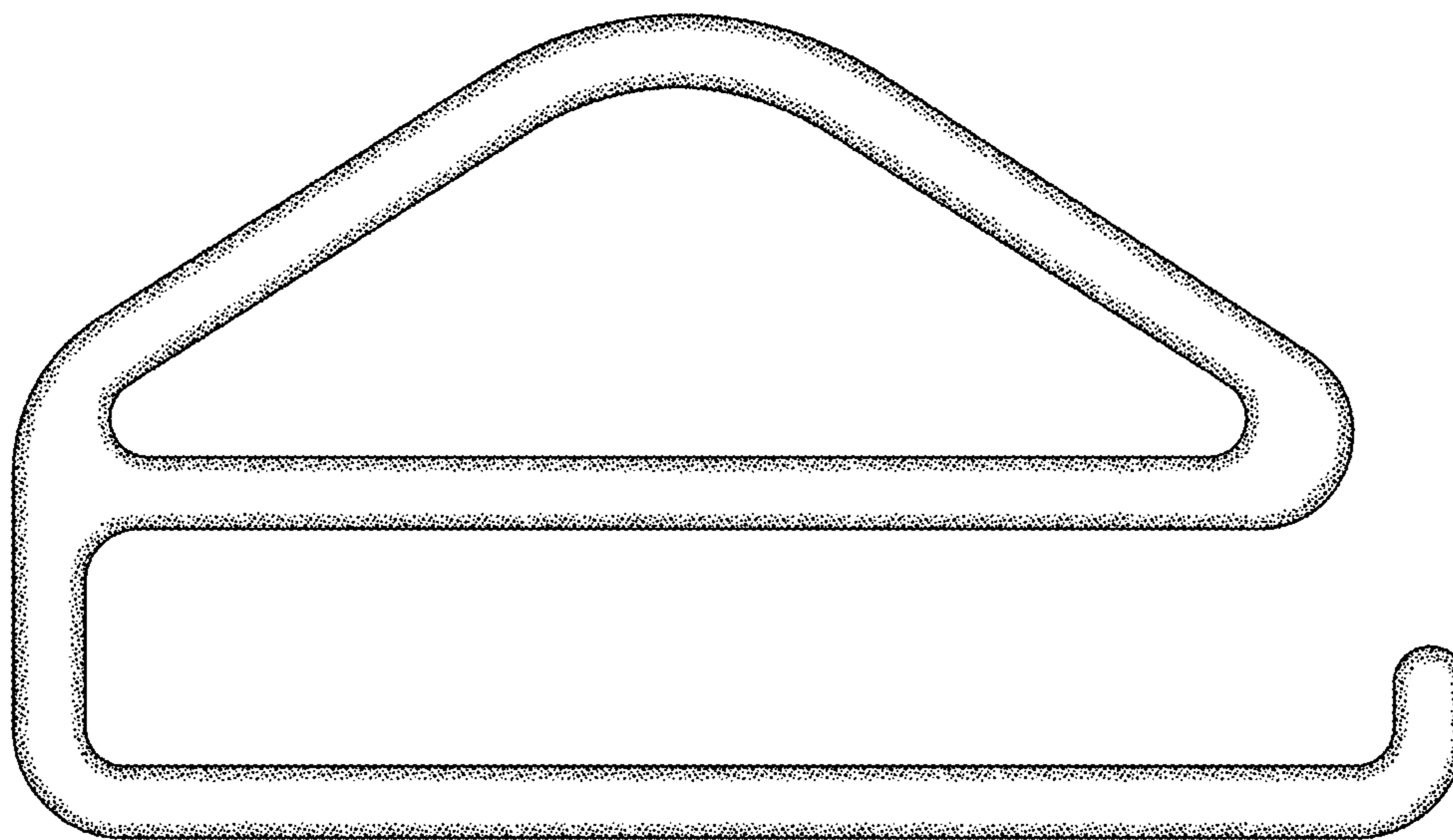


FIG. 2

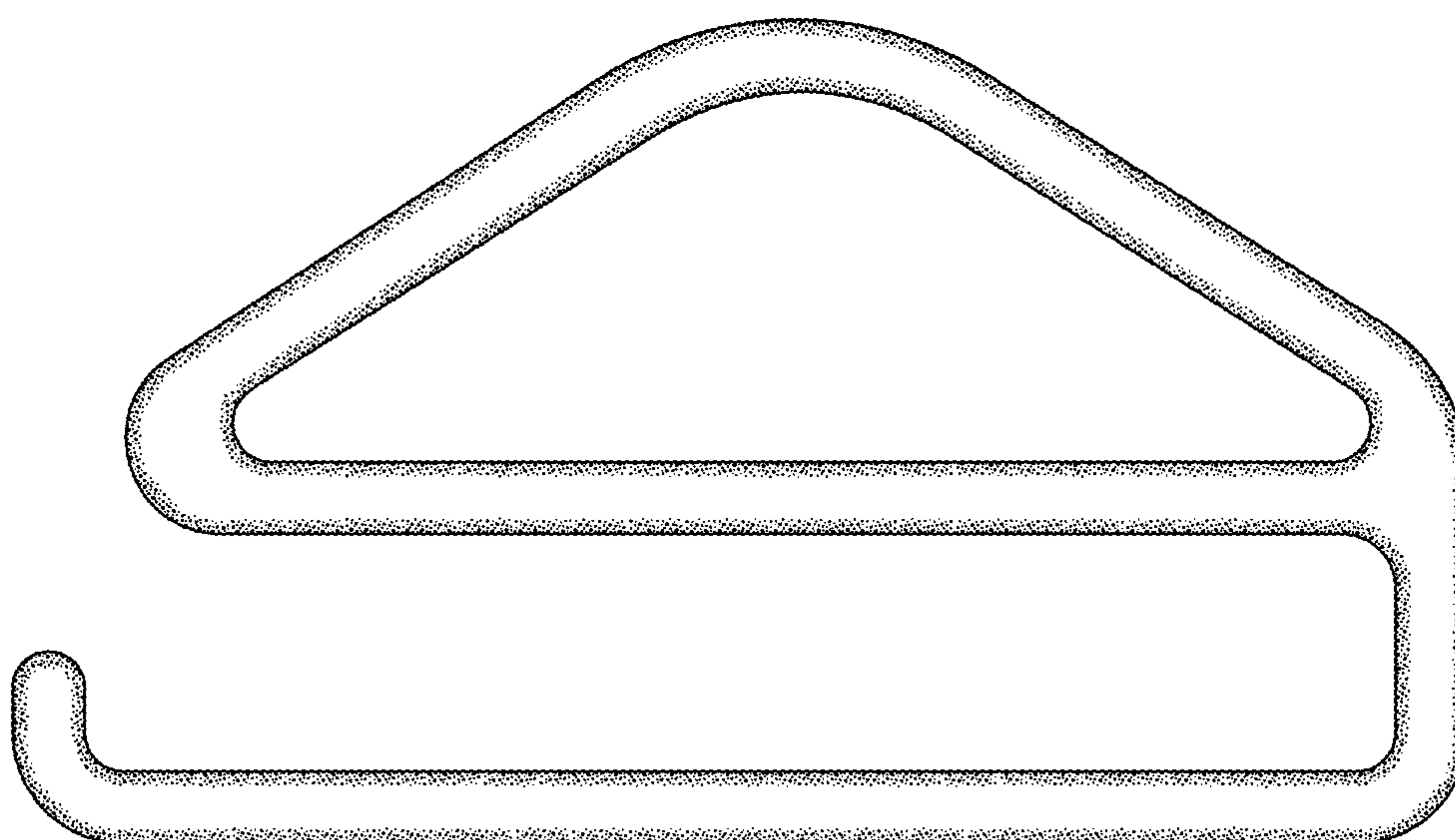


FIG. 3

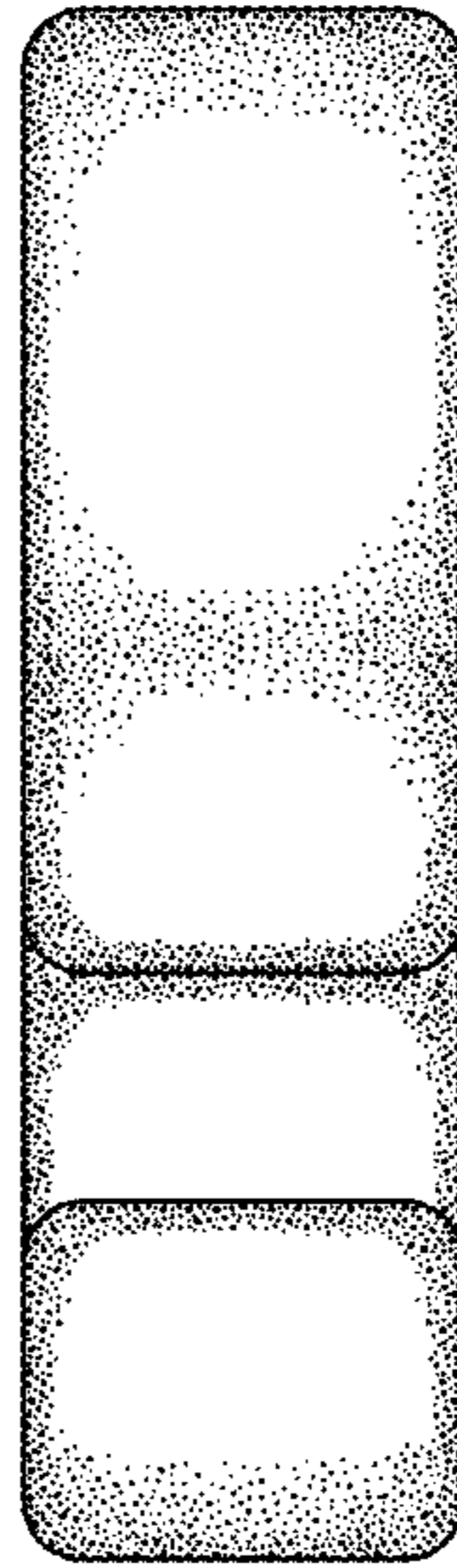


FIG. 4

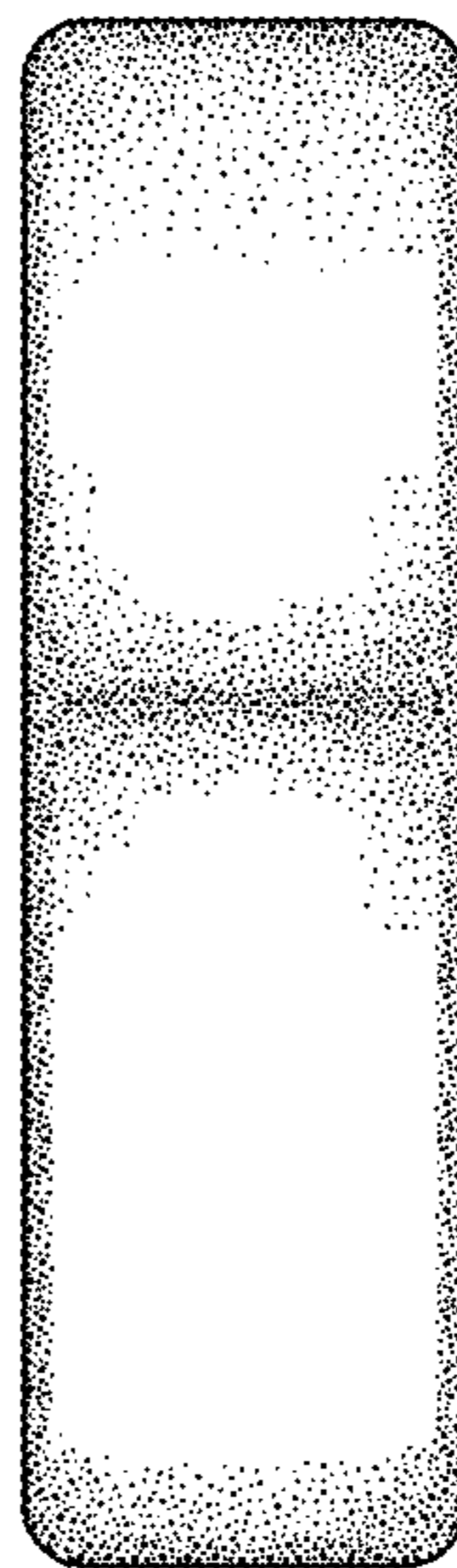


FIG. 5

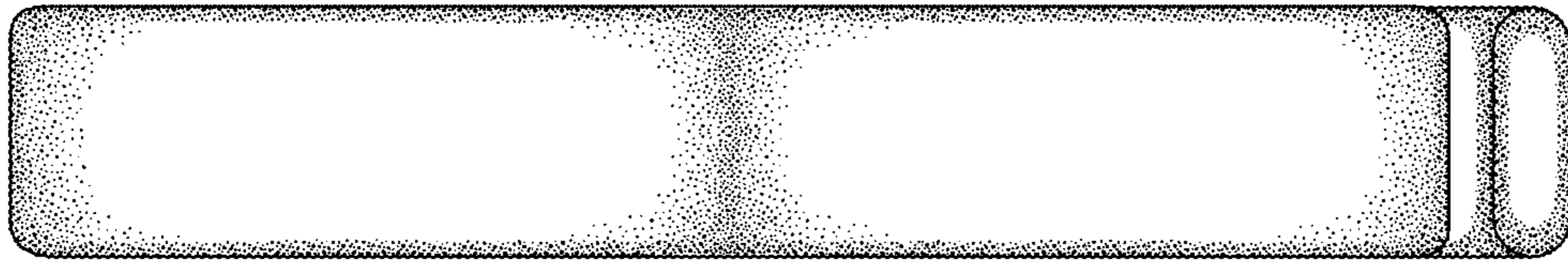


FIG. 6

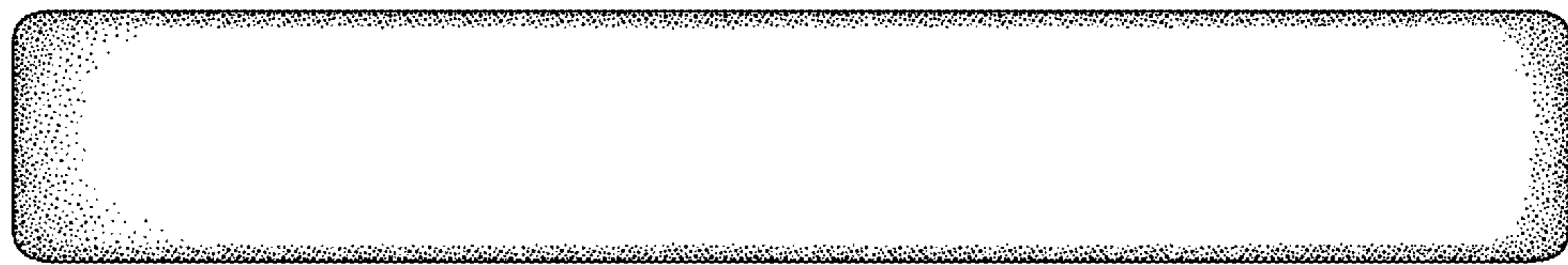


FIG. 7