



US00D961363S

(12) **United States Design Patent** (10) **Patent No.:** **US D961,363 S**
Richards (45) **Date of Patent:** **** Aug. 23, 2022**

- (54) **TOOL HOLDING BRACKET**
- (71) Applicant: **Mark Wilson Richards**, Charleston, SC (US)
- (72) Inventor: **Mark Wilson Richards**, Charleston, SC (US)
- (**) Term: **15 Years**
- (21) Appl. No.: **29/691,891**
- (22) Filed: **May 20, 2019**
- (51) **LOC (13) Cl.** **08-05**
- (52) **U.S. Cl.**
USPC **D8/354; D8/367; D8/373**
- (58) **Field of Classification Search**
USPC **D8/354, 371, 373, 366, 367; D6/315, D6/320, 323, 512**
CPC **A63B 69/0002; A63B 71/0045; A47F 5/0838**
See application file for complete search history.

- (56) **References Cited**
U.S. PATENT DOCUMENTS
- 1,515,690 A * 11/1924 Marion A47F 7/04 211/23
- 3,095,092 A * 6/1963 Magarian B25H 3/04 211/89.01
- 3,599,847 A * 8/1971 Danielson A45F 5/021 224/904
- D254,881 S * 5/1980 Pyskaty D8/373
- D312,385 S * 11/1990 Hamann D8/367
- D312,960 S * 12/1990 Embree D8/367
- D356,002 S * 3/1995 Morgan D6/552
- D375,673 S * 11/1996 Schowalter D8/367
- D394,601 S * 5/1998 Mesna D8/367
- D424,413 S * 5/2000 Laga D8/372

- D616,733 S * 6/2010 Kleinsasser D8/373
- D626,404 S * 11/2010 Koehn D8/373
- 7,972,100 B2 * 7/2011 Horvath F16B 45/00 D8/367
- D711,213 S * 8/2014 Schorn D8/373
- D802,402 S * 11/2017 Hintze D8/367
- D897,179 S * 9/2020 Underwood D8/71
- D928,597 S * 8/2021 Nucci D8/373
- D939,857 S * 1/2022 Dains D6/552
- 2015/0122856 A1 * 5/2015 Pecotte A45F 5/00 224/268

* cited by examiner

Primary Examiner — Keli L Hill
Assistant Examiner — Harold E Blackwell, II
(74) *Attorney, Agent, or Firm* — Quickpatents, LLC; Kevin Prince

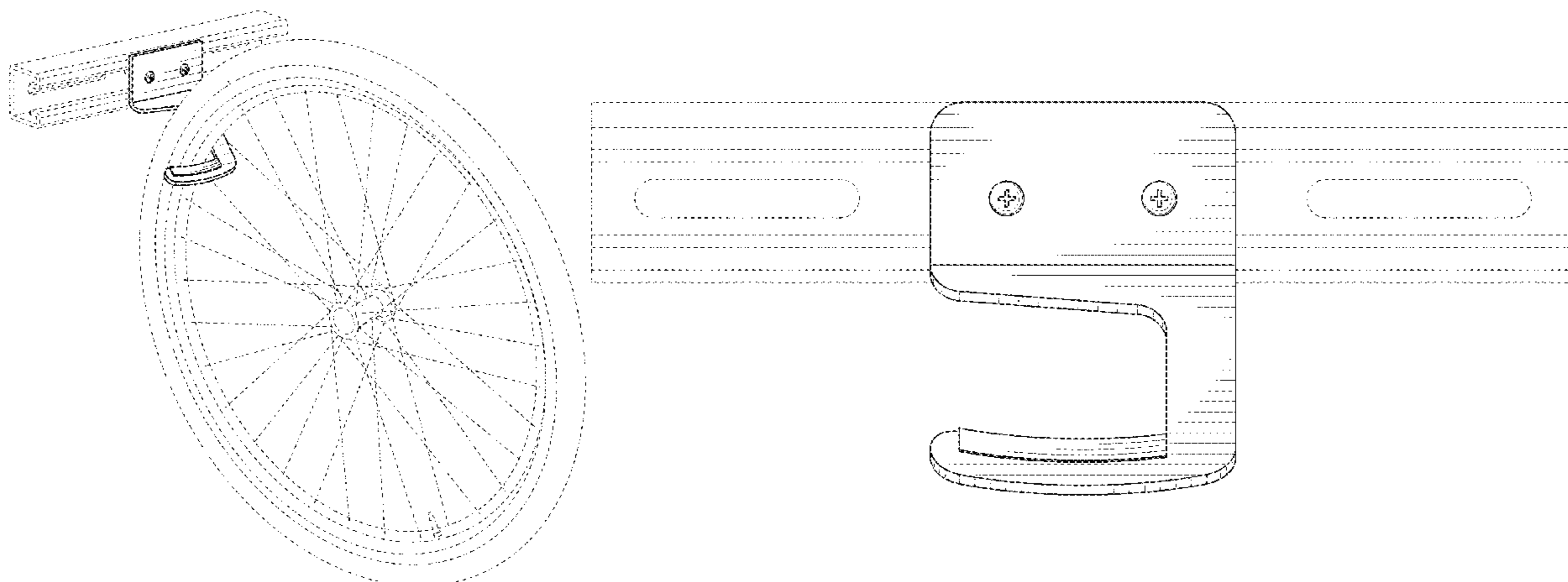
(57) **CLAIM**

The ornamental design for a tool holding bracket, as shown and described.

DESCRIPTION

FIG. 1 is a perspective view of a tool holding bracket, showing my new design, FIG. 2 is a front elevational view of FIG. 1; FIG. 3 is a rear elevational view of FIG. 1; FIG. 4 is a left-side elevational view of FIG. 1; FIG. 5 is a right-side elevational view of FIG. 1; FIG. 6 is a top plan view of FIG. 1; and, FIG. 7 is a bottom plan view of FIG. 1. The broken lines showing a bicycle wheel in FIG. 1 and the rack in FIGS. 1, 2 & 4-7, depict environmental matter and form no part of the claimed design. The remaining broken lines represent portions of the tool holding bracket that form no part of the claimed design.

1 Claim, 6 Drawing Sheets



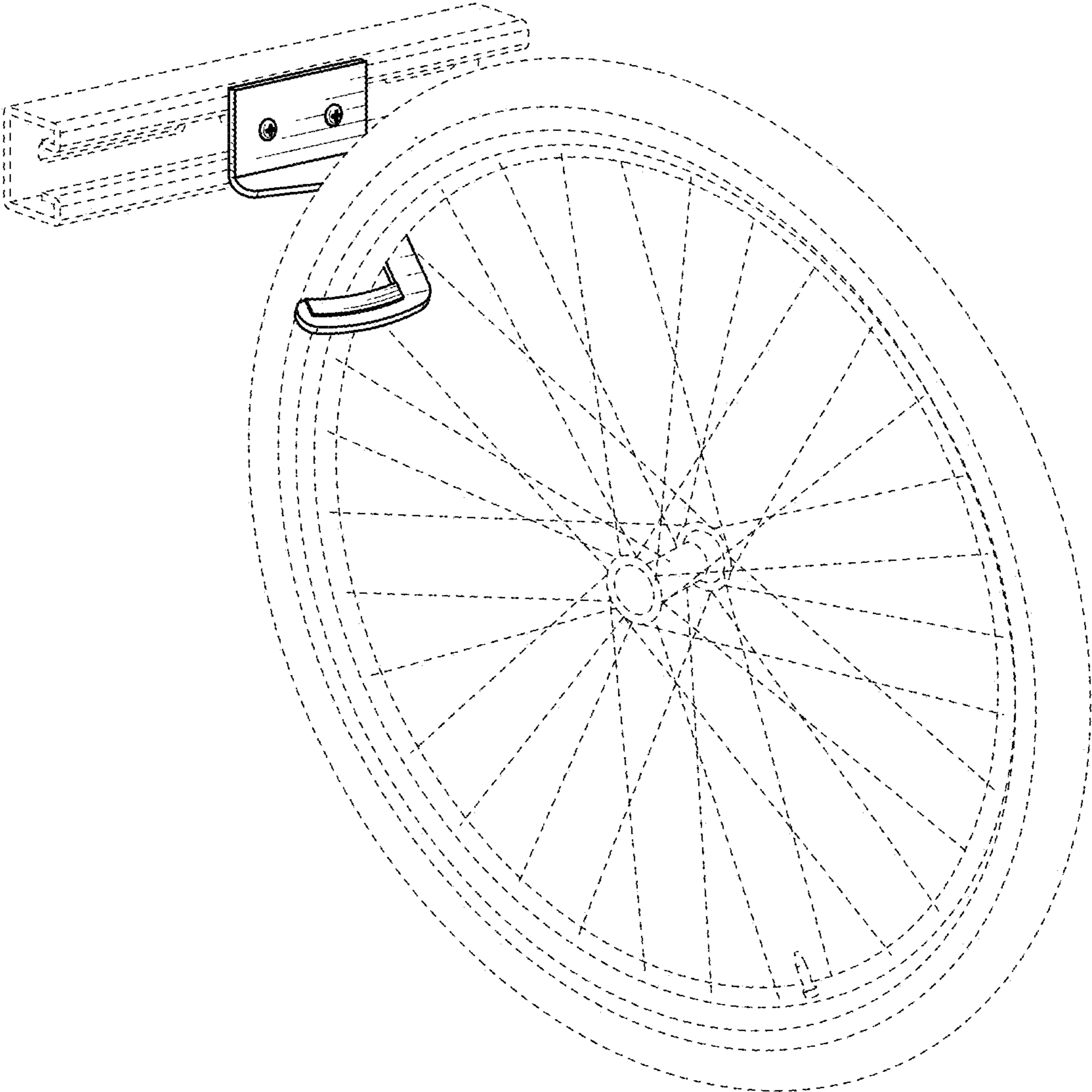


FIG. 1

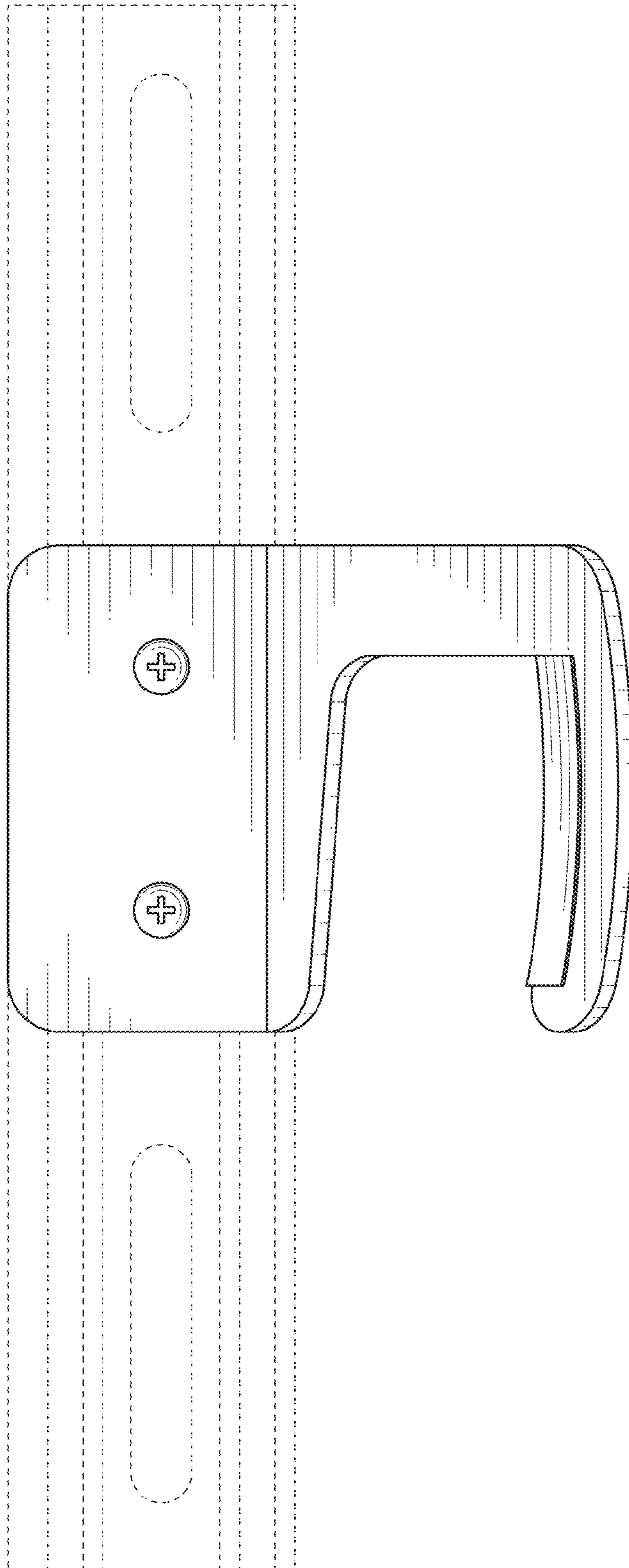


FIG. 2

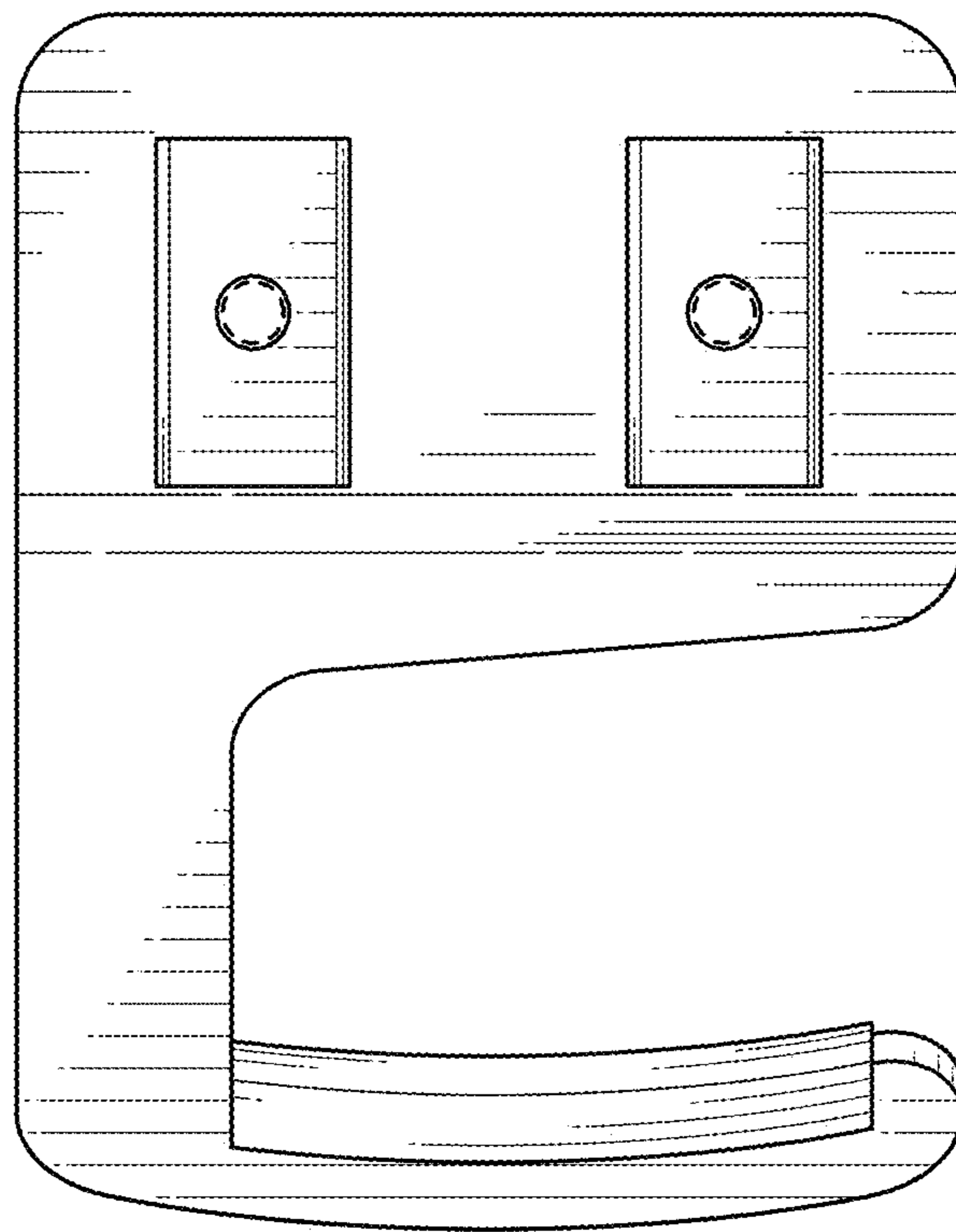


FIG. 3

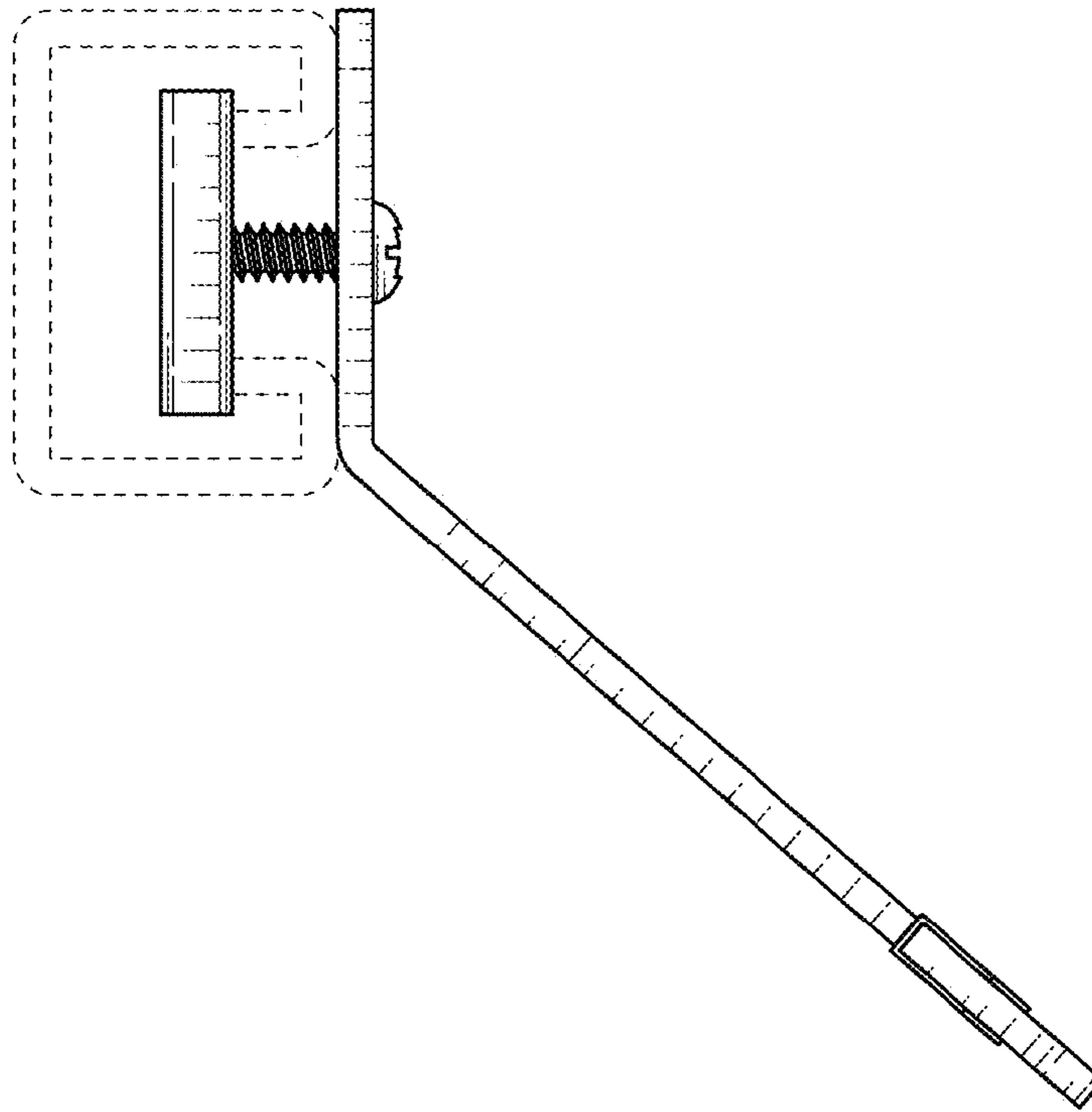


FIG. 4

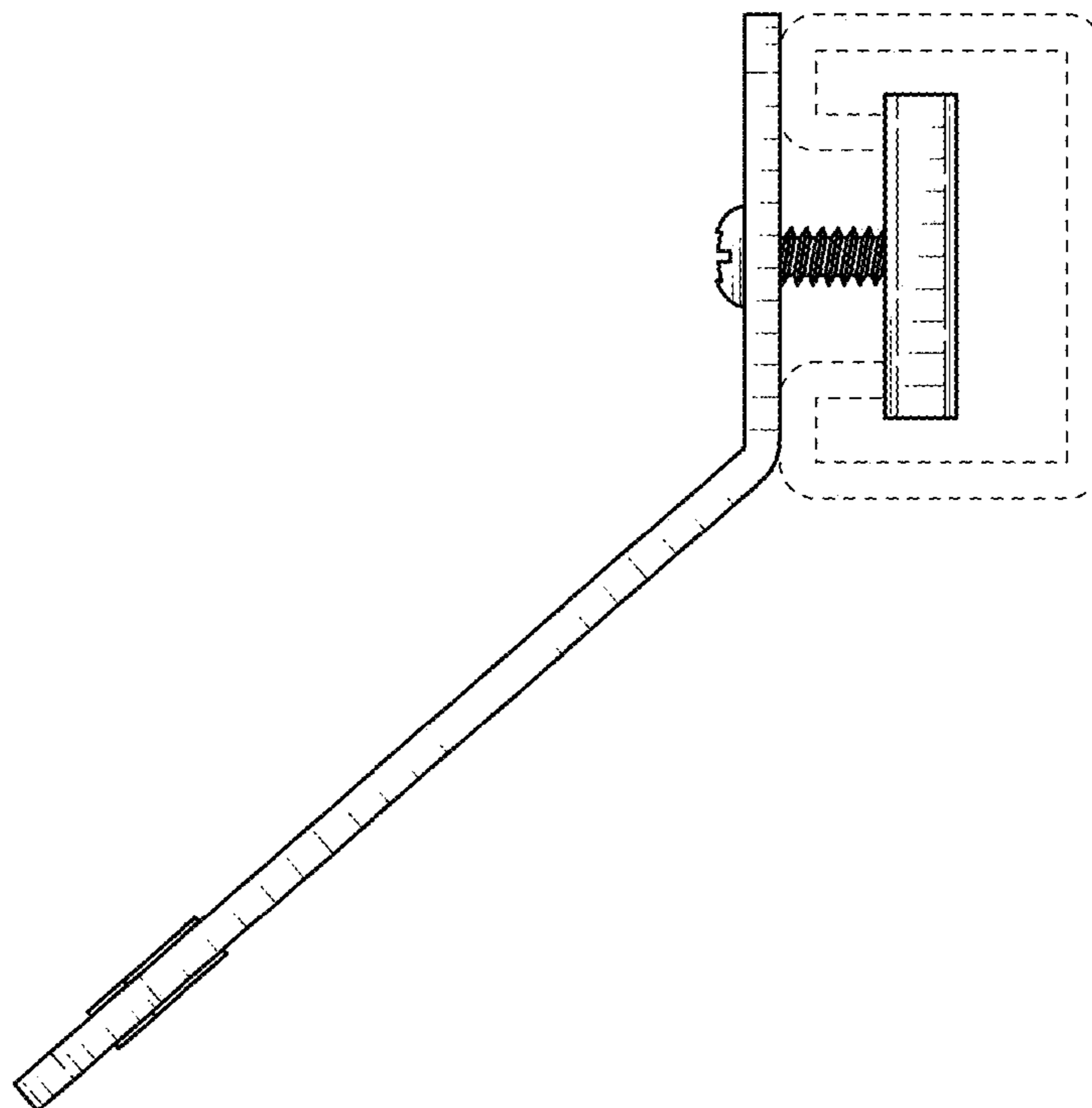


FIG. 5

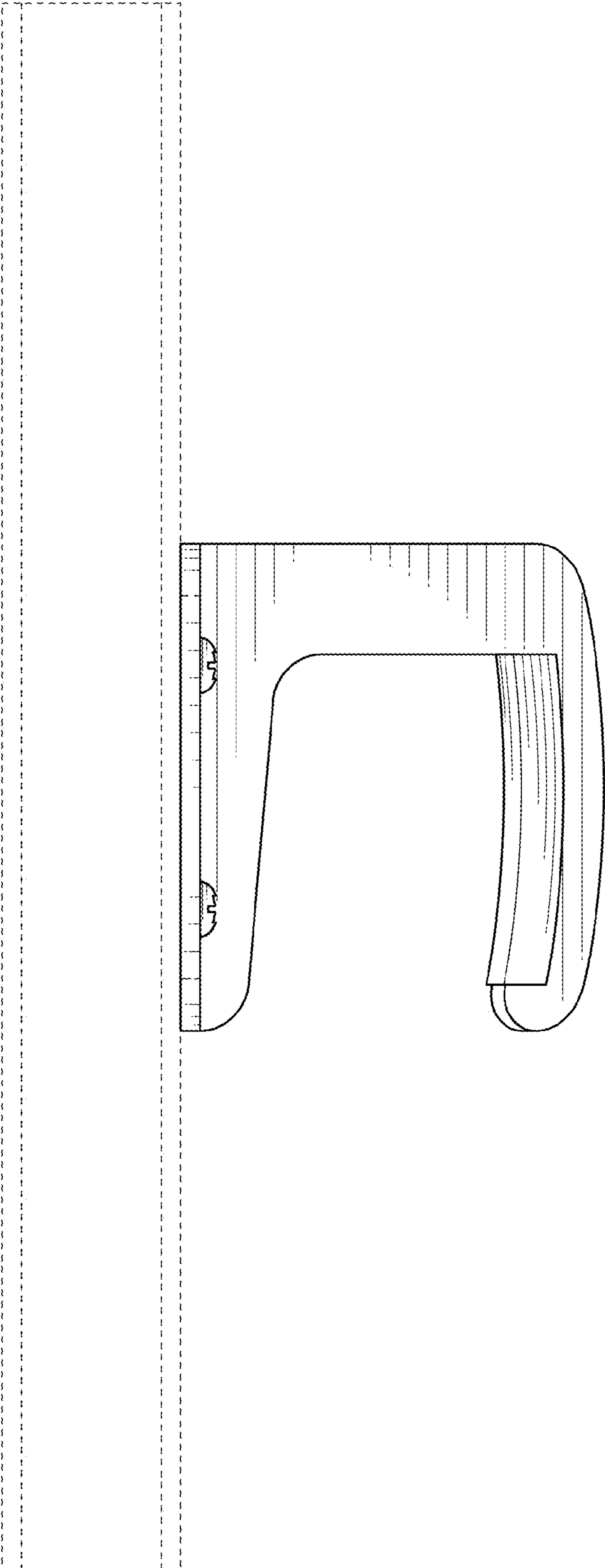


FIG. 6

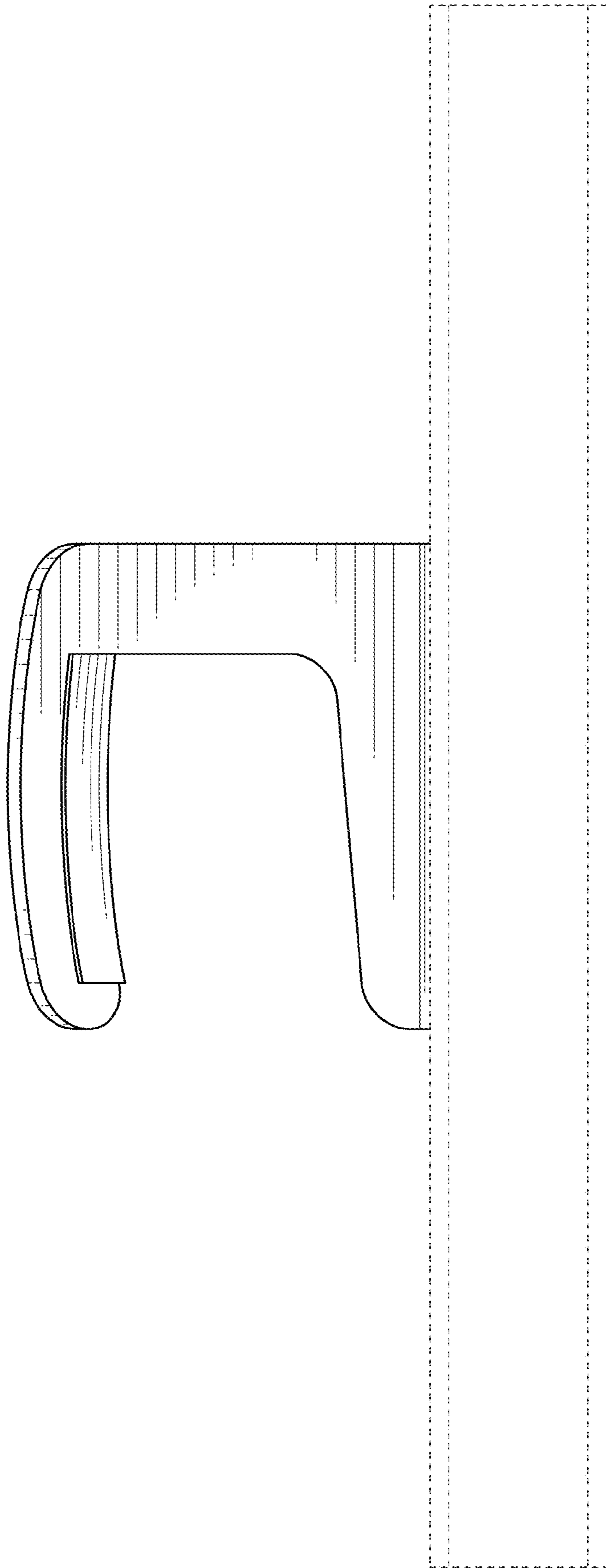


FIG. 7