



US00D961360S

(12) **United States Design Patent** (10) **Patent No.:** **US D961,360 S**
Moss et al. (45) **Date of Patent:** **** Aug. 23, 2022**

- (54) **SURFACE MOUNT**
- (71) Applicant: **House of Atlas, LLC**, Evanston, IL (US)
- (72) Inventors: **Jason Moss**, Libertyville, IL (US);
Alan Arthur Ford, Sturgis, MI (US)
- (73) Assignee: **House of Atlas, LLC**, Evanston, IL (US)
- (**) Term: **15 Years**
- (21) Appl. No.: **29/750,985**
- (22) Filed: **Sep. 17, 2020**

- 2,661,850 A 12/1953 Fowler et al.
- 2,903,141 A 9/1959 Seewack
- 2,974,806 A 3/1961 Seewack
- 3,004,743 A 10/1961 Wenger
- (Continued)

OTHER PUBLICATIONS

“Curtain Rod Bracket.” More than one year before Feb. 23, 2018, 2 pages.
(Continued)

Primary Examiner — Richard Kearney
Assistant Examiner — Benjamin M Weeks
(74) *Attorney, Agent, or Firm* — Fitch, Even, Tabin & Flannery LLP

Related U.S. Application Data

- (62) Division of application No. 29/638,089, filed on Feb. 23, 2018, now Pat. No. Des. 899,895.
- (51) **LOC (13) Cl.** **08-08**
- (52) **U.S. Cl.**
USPC **D8/349**
- (58) **Field of Classification Search**
USPC D6/672, 684, 680, 683.1, 703.5; D8/330,
D8/331, 333, 349, 354, 355, 380
CPC F16B 47/006; F16M 13/022; A47H 1/142
See application file for complete search history.

(57) **CLAIM**

The ornamental design for a surface mount, as shown and described.

DESCRIPTION

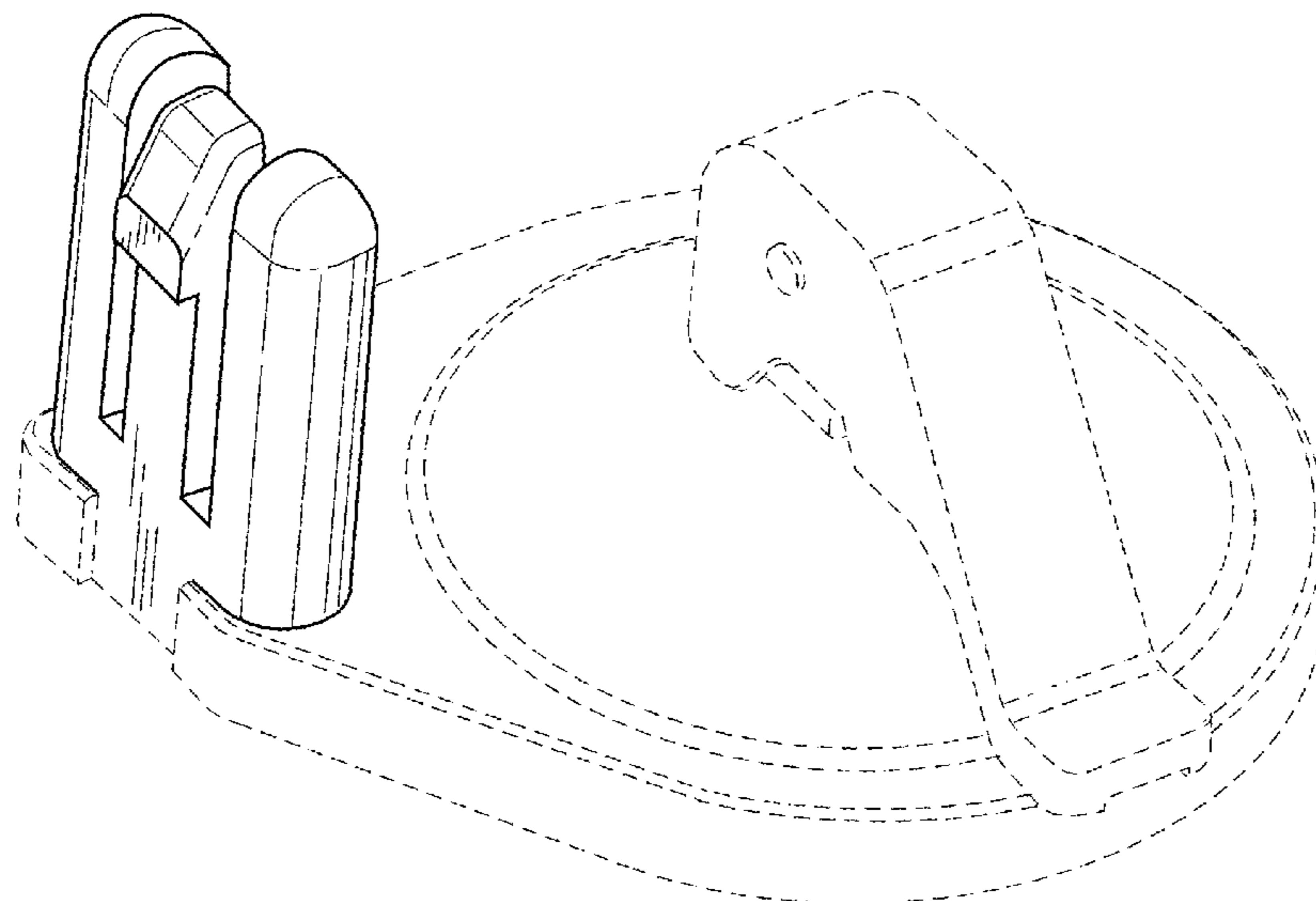
FIG. 1 is a front perspective view showing of a new design of a surface mount;
FIG. 2 is a bottom perspective view of the surface mount of FIG. 1;
FIG. 3 is a bottom plan view of the surface mount of FIG. 1;
FIG. 4 is a rear elevation view of the surface mount of FIG. 1;
FIG. 5 is a left side elevation view of the surface mount of FIG. 1;
FIG. 6 is a top plan view of the surface mount of FIG. 1;
FIG. 7 is a right side elevation view of the surface mount of FIG. 1; and,
FIG. 8 is a front elevation view of the surface mount of FIG. 1.
The broken lines in the figures depict portions of surface mount and form no part of the claimed design.

(56) **References Cited**

U.S. PATENT DOCUMENTS

- | | | |
|-------------|---------|----------|
| 453,631 A | 6/1891 | Farley |
| 666,467 A | 1/1901 | Clark |
| 1,374,026 A | 4/1921 | Nelson |
| 1,401,727 A | 12/1921 | Pimlott |
| 1,679,881 A | 10/1925 | Simpson |
| 1,756,716 A | 4/1930 | Whitney |
| 1,837,340 A | 12/1931 | Schwartz |
| 1,951,660 A | 3/1934 | Klaudt |
| 2,275,330 A | 3/1942 | Tveten |
| 2,293,168 A | 8/1942 | Pirone |
| 2,637,555 A | 5/1953 | Klaudt |

1 Claim, 4 Drawing Sheets



(56)

References Cited

U.S. PATENT DOCUMENTS

3,180,604 A	4/1965	Hammer	D410,377 S	6/1999	Bredemeier
3,560,032 A	2/1971	Cohen et al.	D411,951 S	7/1999	Baranski
3,674,294 A	7/1972	Kirkham	D412,433 S	8/1999	Bredemeier
4,012,961 A	3/1977	Cameron	D412,827 S	8/1999	Bredemeier
4,134,703 A	1/1979	Hinners	D415,916 S	11/1999	Hofman
4,147,199 A	4/1979	Cameron	D416,416 S	11/1999	Kelso
4,254,815 A	3/1981	Comeau	D416,728 S	11/1999	Kelso
4,274,467 A	6/1981	Comeau	D417,390 S	12/1999	Hofman
4,276,920 A	7/1981	Comeau	D417,605 S	12/1999	Sartini
4,301,852 A	11/1981	Comeau	D417,809 S	12/1999	Hofman
4,419,026 A	12/1983	Leto	D417,990 S	12/1999	Yemini
4,438,799 A	3/1984	Comeau	D417,991 S	12/1999	Hofman
4,471,275 A	9/1984	Comeau	5,996,674 A	12/1999	Gatewood
4,492,262 A	1/1985	Comeau	5,996,791 A	12/1999	Bibby
4,495,671 A	1/1985	Comeau	D421,692 S	3/2000	Wojtowicz
4,519,433 A	5/1985	Comeau	6,045,111 A	4/2000	Hsieh
4,607,677 A	8/1986	Comeau	D426,763 S	6/2000	Adler
4,619,305 A	10/1986	Comeau	D426,992 S	6/2000	Walker
4,712,457 A	12/1987	Percivalle	D429,934 S	8/2000	Hofman
4,895,471 A	1/1990	Geltz	D433,618 S	11/2000	Bredemeier
4,919,185 A	4/1990	Comeau	D436,487 S	1/2001	Walker
4,955,421 A	9/1990	Torti	D437,693 S	2/2001	Harwanko
D324,328 S	3/1992	Pagan	6,193,197 B1	2/2001	Lian
D327,421 S	6/1992	Pagan	D438,448 S	3/2001	Batting
D329,294 S	9/1992	Dubeau	D442,394 S	5/2001	Walker
5,143,336 A	9/1992	McMichael	D443,162 S	6/2001	Winter
5,156,281 A	10/1992	Schwartz	D443,813 S	6/2001	Harwanko
5,180,130 A	1/1993	McMichael	D444,017 S	6/2001	Walker
5,259,520 A	11/1993	Roggio	6,250,839 B1	6/2001	Lenhart
5,303,832 A	4/1994	Tu	D450,947 S	11/2001	Walker
D346,699 S	5/1994	Greger	6,317,904 B1	11/2001	Samelson
D349,002 S	7/1994	Greger	D453,652 S	2/2002	Walker
5,330,061 A	7/1994	Geltz	D454,730 S	3/2002	Harwanko
5,333,665 A	8/1994	Safar	D456,167 S	4/2002	Harwanko
D356,725 S	3/1995	McMichael	D456,638 S	5/2002	Walker
5,433,551 A	7/1995	Gordon	D456,658 S	5/2002	Harwanko
D364,767 S	12/1995	McLinden	D458,790 S	6/2002	Harwanko
D371,829 S	7/1996	Greger	D458,791 S	6/2002	Harwanko
D372,963 S	8/1996	Luca, Jr.	D459,201 S	6/2002	Michaelson
5,544,692 A	8/1996	McMichael	6,443,207 B1	9/2002	Cheng
5,564,666 A	10/1996	Pfeil	D464,867 S	10/2002	Samelson
5,615,721 A	4/1997	Winter	D465,996 S	11/2002	Suero, Jr.
D380,141 S	6/1997	McMichael	6,478,271 B1	11/2002	Mulholland
5,653,057 A	8/1997	Gary	D466,798 S	12/2002	Rebman
D383,921 S	9/1997	Newkirk	D466,799 S	12/2002	Suero, Jr.
D385,478 S	10/1997	Luca, Jr.	D470,332 S	2/2003	Clucas
5,678,703 A	10/1997	Sawyer	D470,337 S	2/2003	Clucas
D388,267 S	12/1997	Newkirk	D470,394 S	2/2003	Harwanko
5,702,010 A	12/1997	Liang	6,530,120 B2	3/2003	Samelson
D388,642 S	1/1998	Winter	D472,453 S	4/2003	Rebman
D388,693 S	1/1998	Luca, Jr.	D472,747 S	4/2003	Walker
D389,352 S	1/1998	Pagan-Demirtas	D472,748 S	4/2003	Walker
D391,842 S	3/1998	Sartini	6,543,629 B1	4/2003	Samelson
D392,135 S	3/1998	Pagan-Demirtas	D475,229 S	6/2003	Suero, Jr.
D392,484 S	3/1998	Yemini	D475,551 S	6/2003	Kelso
D394,771 S	6/1998	Hofman	D475,560 S	6/2003	Suero, Jr.
5,771,726 A	6/1998	Bibby	D475,561 S	6/2003	Suero, Jr.
D395,773 S	7/1998	Hofman	D475,562 S	6/2003	Suero, Jr.
D395,971 S	7/1998	Hofman	D475,857 S	6/2003	Harwanko
D396,157 S	7/1998	Hofman	D476,828 S	7/2003	Harwanko
D396,585 S	8/1998	Hofman	D479,932 S	9/2003	Clucas
D397,567 S	9/1998	Hofman	D482,223 S	11/2003	Bibby
D398,468 S	9/1998	Yemini	6,640,867 B1	11/2003	Pallotta
D404,639 S	1/1999	Samelson	6,651,831 B2	11/2003	Samelson
D404,948 S	2/1999	Yemini	D483,251 S	12/2003	Suero, Jr.
D407,934 S	4/1999	Wojtowicz	D483,969 S	12/2003	Maholick
D408,185 S	4/1999	Hofman	D484,027 S	12/2003	Clucas
D408,272 S	4/1999	Caron	D484,345 S	12/2003	Clucas
D408,721 S	4/1999	Sartini	6,666,420 B1	12/2003	Carnevali
D408,722 S	4/1999	Sartini	D485,104 S	1/2004	Suero, Jr.
5,894,610 A	4/1999	Winter	D485,462 S	1/2004	Suero, Jr.
D409,424 S	5/1999	Hofman	D485,464 S	1/2004	Clucas
D409,898 S	5/1999	Bredemeier	6,681,831 B1	1/2004	Cheng
D410,193 S	5/1999	Bredemeier	D487,653 S	3/2004	Harwanko
D410,361 S	6/1999	Baranski	D488,004 S	4/2004	Clucas
			D488,319 S	4/2004	Harwanko
			D488,945 S	4/2004	Bibby
			D490,253 S	5/2004	Clucas
			D491,445 S	6/2004	Clucas

(56)

References Cited

U.S. PATENT DOCUMENTS

D491,448 S	6/2004	Rebman	D563,209 S	3/2008	Samelson
D491,731 S	6/2004	Harwanko	D566,991 S	4/2008	Harwanko
D491,742 S	6/2004	Harwanko	D568,656 S	5/2008	Kramer
D491,751 S	6/2004	Harwanko	D569,149 S	5/2008	Walker
D491,752 S	6/2004	Harwanko	D569,668 S	5/2008	Kramer
6,761,202 B1	7/2004	Cheng	D571,136 S	6/2008	Kramer
D494,052 S	8/2004	Winter	D573,386 S	7/2008	Clucas
D494,455 S	8/2004	Winter	D573,387 S	7/2008	Walker
D494,845 S	8/2004	Winter	7,407,237 B2	8/2008	Bright
D495,523 S	9/2004	Harwanko	D576,475 S	9/2008	Didehvar
D495,528 S	9/2004	Harwanko	D576,476 S	9/2008	Didehvar
D495,591 S	9/2004	Clucas	D577,281 S	9/2008	Barrese
D498,630 S	11/2004	Suero, Jr.	D582,760 S	12/2008	Barrese
6,823,925 B2	11/2004	Militello	D586,647 S	2/2009	Didehvar
6,824,000 B2	11/2004	Samelson	D587,917 S	3/2009	Barrese
D499,286 S	12/2004	Harwanko	D590,238 S	4/2009	Richter
D499,296 S	12/2004	Suero, Jr.	D590,696 S	4/2009	Carnevali
D499,329 S	12/2004	Suero, Jr.	D591,142 S	4/2009	Cittadino
D500,225 S	12/2004	Suero, Jr.	D591,522 S	5/2009	Barrese
D500,670 S	1/2005	Rebman	7,549,615 B2	6/2009	Shevick
D501,106 S	1/2005	Suero, Jr.	7,562,689 B1	7/2009	Militello
6,865,817 B2	3/2005	Militello	7,578,487 B2	8/2009	Kaneda
D504,310 S	4/2005	Harwanko	D599,140 S	9/2009	Winter
D504,807 S	5/2005	Harwanko	7,600,549 B2	10/2009	Cheng
D505,062 S	5/2005	Suero, Jr.	7,607,622 B2	10/2009	Carnevali
D505,317 S	5/2005	Harwanko	7,628,362 B2	12/2009	Song
D505,614 S	5/2005	Barrese	D607,309 S	1/2010	Barrese
6,948,545 B1	9/2005	Cheng	7,665,500 B2	2/2010	Rossato
6,959,752 B2	11/2005	Huang	D611,328 S	3/2010	Hanley
6,962,186 B2	11/2005	Hsu	D611,329 S	3/2010	Barrese
6,966,353 B2	11/2005	Hsu	D611,330 S	3/2010	Barrese
6,966,530 B2	11/2005	Hsu	D614,478 S	4/2010	Barrese
D513,142 S	12/2005	Suero, Jr.	D614,479 S	4/2010	Barrese
D513,373 S	1/2006	Harwanko	D614,938 S	5/2010	Barrese
6,994,143 B2	2/2006	McCarty	D614,939 S	5/2010	Barrese
7,000,521 B1	2/2006	Cheng	7,708,245 B2	5/2010	Woo
D516,902 S	3/2006	Harwanko	7,712,720 B1	5/2010	Cheng
D522,844 S	6/2006	Harwanko	D618,538 S	6/2010	Barrese
D522,845 S	6/2006	Suero, Jr.	7,748,673 B2	7/2010	Barrese
D522,846 S	6/2006	Suero, Jr.	D624,807 S	10/2010	Barrese
D522,847 S	6/2006	Suero, Jr.	D625,987 S	10/2010	Barrese
D525,115 S	7/2006	Harwanko	7,819,166 B2	10/2010	Militello
D525,813 S	8/2006	Beasley	D628,000 S	11/2010	Lindo
D526,520 S	8/2006	Clucas	D628,875 S	12/2010	Padilla
D527,246 S	8/2006	Clucas	7,850,133 B2	12/2010	Carnevali
7,128,124 B2	10/2006	Bibby	7,857,151 B2	12/2010	Barrese
D534,793 S	1/2007	Suero, Jr.	D630,088 S	1/2011	Kim
D538,571 S	3/2007	Militello	D630,089 S	1/2011	Kim
D539,064 S	3/2007	Militello	D630,498 S	1/2011	Kim
7,194,811 B2	3/2007	Militello	D632,513 S	2/2011	Cittadino
7,195,051 B2	3/2007	Nien	D632,514 S	2/2011	Didehvar
D540,568 S	4/2007	Clucas	D632,515 S	2/2011	Cittadino
D542,392 S	5/2007	Hanley	7,877,824 B2	2/2011	Grant
D542,897 S	5/2007	Harwanko	D633,780 S	3/2011	Barrese
D543,747 S	6/2007	Harwanko	D635,807 S	4/2011	Lindo
D543,748 S	6/2007	Harwanko	7,926,127 B2	4/2011	Barrese
D544,786 S	6/2007	Barrese	D637,854 S	5/2011	Desanto
D545,180 S	6/2007	Harwanko	D637,856 S	5/2011	Labarre
7,225,850 B2	6/2007	McCarty	D637,892 S	5/2011	Barrese
D546,177 S	7/2007	El-Afandi	D640,488 S	6/2011	Didehvar
D547,165 S	7/2007	Barrese	D641,190 S	7/2011	Cittadino
D547,166 S	7/2007	Barrese	D641,191 S	7/2011	Walker
D547,167 S	7/2007	Barrese	D641,193 S	7/2011	Vaccaro
D548,042 S	8/2007	Smyczek	D641,194 S	7/2011	Vaccaro
D548,574 S	8/2007	Harwanko	7,975,971 B2	7/2011	Carnevali
D549,506 S	8/2007	Stacy	7,984,814 B2	7/2011	Didehvar
7,255,149 B2	8/2007	Rossato	D643,236 S	8/2011	Cittadino
D551,010 S	9/2007	Woodhouse	D643,657 S	8/2011	Cittadino
7,264,035 B2	9/2007	Rossato	D644,050 S	8/2011	Cittadino
D560,924 S	2/2008	Walker	D647,391 S	10/2011	Barrese
D562,608 S	2/2008	Kramer	D648,969 S	11/2011	Cittadino
D562,609 S	2/2008	Kramer	D649,019 S	11/2011	Kim
7,331,370 B1	2/2008	Militello	D649,020 S	11/2011	Kim
D563,136 S	3/2008	Kramer	D649,352 S	11/2011	Cittadino
D563,138 S	3/2008	Kramer	8,056,873 B1	11/2011	Hanely
			D650,263 S	12/2011	Barrese
			8,069,507 B2	12/2011	Didehvar
			8,069,999 B2	12/2011	Didehvar
			8,079,557 B2	12/2011	Tu

(56)

References Cited

U.S. PATENT DOCUMENTS

D652,236 S 1/2012 Walker
 D652,237 S 1/2012 Cittadino
 D653,067 S 1/2012 Cittadino
 8,113,361 B2 2/2012 Winter
 8,157,111 B2 4/2012 Didehvar
 D660,064 S 5/2012 Webb
 D660,065 S 5/2012 Webb
 D660,066 S 5/2012 Webb
 8,185,981 B2 5/2012 Didehvar
 8,186,509 B2 5/2012 Samelson
 D661,529 S 6/2012 Cittadino
 D661,927 S 6/2012 Cittadino
 D664,423 S 7/2012 Cittadino
 D664,424 S 7/2012 Cittadino
 8,214,938 B2 7/2012 Hanley
 8,215,501 B2 7/2012 Trettin
 D666,012 S 8/2012 Walker
 8,235,336 B2 8/2012 Lin
 D667,246 S 9/2012 Cittadino
 D667,295 S 9/2012 Harwanko
 D670,521 S 11/2012 Cittadino
 D670,522 S 11/2012 Cittadino
 D670,944 S 11/2012 Cittadino
 D671,347 S 11/2012 Cittadino
 D671,348 S 11/2012 Cittadino
 D671,395 S 11/2012 Harwanko
 D672,178 S 12/2012 Walker
 D672,990 S 12/2012 Lindo
 D672,991 S 12/2012 Cittadino
 8,341,775 B2 1/2013 Didehvar
 8,347,936 B2 1/2013 Martin
 D680,421 S 4/2013 Martin
 D681,422 S 5/2013 Lindo
 D681,423 S 5/2013 Walker
 D684,037 S 6/2013 Harwanko
 8,479,932 B2 7/2013 Carney
 8,505,129 B2 8/2013 Parker
 D691,029 S 10/2013 Didehvar
 D691,030 S 10/2013 Lindo
 D691,031 S 10/2013 Harwanko
 8,561,667 B1 10/2013 Hanley
 D693,209 S 11/2013 Walker
 8,573,416 B2 11/2013 Didehvar
 D696,573 S 12/2013 Didehvar
 D701,745 S 4/2014 Stevens
 D702,112 S 4/2014 Cittadino
 8,763,822 B2 7/2014 Didehvar
 8,814,114 B2 8/2014 Baines
 D714,414 S 9/2014 Wright, III
 D714,415 S 9/2014 Wright, III
 8,827,587 B2 9/2014 Didehvar
 8,839,980 B2 9/2014 Baines
 D714,571 S 10/2014 Walker
 8,851,305 B2 10/2014 Didehvar
 8,851,435 B1 10/2014 Bastien
 8,869,999 B2 10/2014 Lindo
 8,875,770 B1 11/2014 Martin
 8,960,456 B2 2/2015 Didehvar
 8,978,228 B2 3/2015 Didehvar
 8,979,046 B2 3/2015 Woo
 D728,044 S * 4/2015 Boatwright D8/382
 9,009,878 B2 4/2015 Baines
 D729,618 S 5/2015 Bastien
 D730,162 S 5/2015 Bastien
 9,021,627 B2 5/2015 Parker
 9,107,495 B2 8/2015 Lindo
 9,107,496 B2 8/2015 Lindo
 9,107,529 B2 8/2015 Didehvar
 9,107,544 B2 8/2015 Cittadino
 9,131,795 B2 9/2015 Didehvar
 D746,667 S 1/2016 Vaccaro
 9,271,592 B2 3/2016 Didehvar
 9,307,838 B1 4/2016 Blavat
 9,357,860 B1 6/2016 Klowan
 9,388,837 B1 7/2016 Hanley

9,404,526 B2 8/2016 Huang
 D769,102 S * 10/2016 Euchner D8/331
 9,474,421 B2 10/2016 Baines
 9,494,184 B1 11/2016 Lee
 D779,305 S 2/2017 Ku
 9,578,995 B2 2/2017 Hanley
 9,581,292 B2 2/2017 Kremer
 D782,279 S 3/2017 Baker
 D783,385 S 4/2017 Zhu
 9,611,884 B1 4/2017 Kuo
 9,618,032 B2 4/2017 Woo
 D811,205 S 2/2018 Hanley
 D813,021 S 3/2018 Hanley
 D813,022 S 3/2018 Hanley
 10,034,587 B1 7/2018 Elliot
 10,070,748 B2 9/2018 Hanley
 10,092,126 B2 10/2018 Baines
 D837,039 S 1/2019 Angus
 D861,112 S 9/2019 Lott
 D871,891 S 1/2020 Blake
 D899,895 S 10/2020 Moss
 11,215,217 B2 * 1/2022 Moss F16B 47/006
 2002/0175250 A1 11/2002 Lian
 2003/0209509 A1 11/2003 Felsenthal
 2004/0182806 A1 9/2004 Figueroa
 2006/0204322 A1 9/2006 Roiser
 2007/0170134 A1 7/2007 Bishop
 2008/0163418 A1 7/2008 Barrese
 2009/0223642 A1 9/2009 Militello
 2009/0223917 A1 9/2009 Grant
 2010/0176253 A1 7/2010 Son
 2010/0206492 A1 8/2010 Shevick
 2010/0252700 A1 10/2010 Wang
 2010/0316438 A1 12/2010 Sohn
 2012/0001042 A1 1/2012 Zhong
 2012/0005823 A1 1/2012 Baines
 2012/0017366 A1 1/2012 Barrese
 2012/0152872 A1 6/2012 Didehvar
 2012/0152873 A1 6/2012 Didehvar
 2012/0152874 A1 6/2012 Didehvar
 2012/0241399 A1 9/2012 Trettin
 2012/0284914 A1 11/2012 Bauer
 2013/0045041 A1 2/2013 Sohn
 2013/0112639 A1 5/2013 Baines
 2013/0334156 A1 12/2013 Baines
 2013/0341474 A1 12/2013 Baines
 2014/0131298 A1 5/2014 Didehvar
 2014/0166603 A1 6/2014 Baines
 2014/0263123 A1 9/2014 Ford
 2014/0335976 A1 11/2014 Hiller
 2014/0374553 A1 12/2014 Park
 2015/0297038 A1 10/2015 Vaccaro
 2016/0201714 A1 7/2016 Zhang
 2017/0360261 A1 12/2017 Coratolo
 2018/0098656 A1 4/2018 Baines
 2018/0296018 A1 * 10/2018 Baines A47H 13/04
 2020/0224709 A1 * 7/2020 Moss F16M 13/022

OTHER PUBLICATIONS

“Suction Cup Hooks, Pack of 12—Locking System—Extra Strong Vacuum Suction Power—Ideal Kitchen or Bath.” More than one year before Feb. 23, 2018, 3 pages.
 “Suction Cup Hooks.” More than one year before Feb. 23, 2018, 2 pages.
 “SUPOW Bathroom Grab Bar, Strong Suction Shower Handle & Bathroom Balance Bar Anti-slipping Suction Cut Support Assist Handle Grip Hand Rail Helping Tool Wall Mount for Elderly & Children.” SUPOW, more than one year before Feb. 23, 2018, 4 pages.
 Mainstay Product—18-28 in. Basic Adjustable Curtain Rod (distributed by Wal-Mart Stores, Inc.) <<https://www.walmart.com/ip/Mainstays-18-28-in-Basic-Adjustable-Curtain-Rod-2-in-Clearance/50015120>>, believed to be publicly available for more than one year before Feb. 23, 2018, 8 pages.
 Design U.S. Appl. No. 29/721,523, filed Jan. 21, 2020, 13 pages.
 U.S. Appl. No. 16/831,478, filed Mar. 26, 2020, 18 pages.

(56)

References Cited

OTHER PUBLICATIONS

U.S. Appl. No. 17/131,382, filed Dec. 22, 2020, 43 pages.

U.S. Appl. No. 62/959,424, filed Jan. 10, 2020, 39 pages.

* cited by examiner

FIG. 1

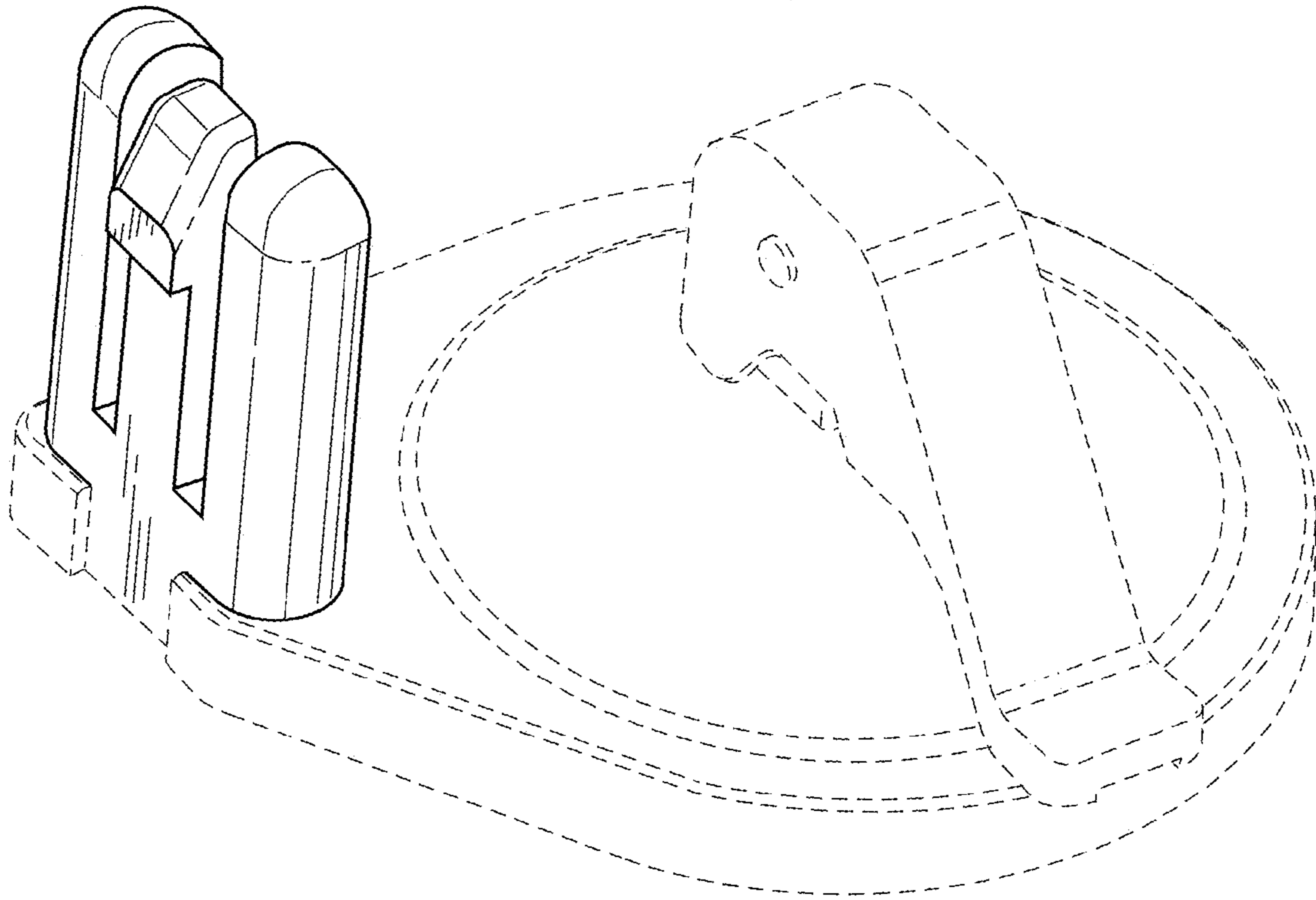


FIG. 2

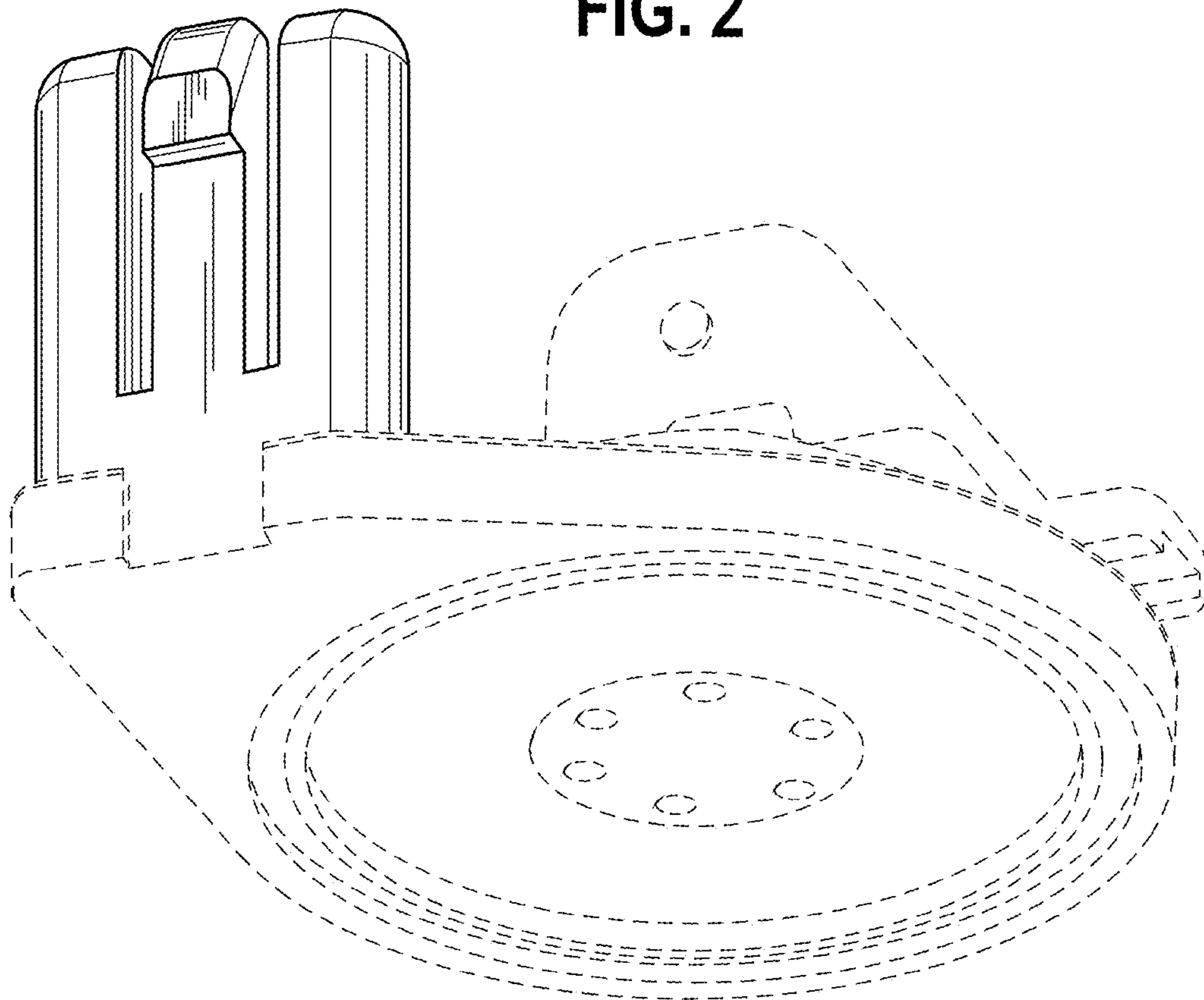


FIG. 3

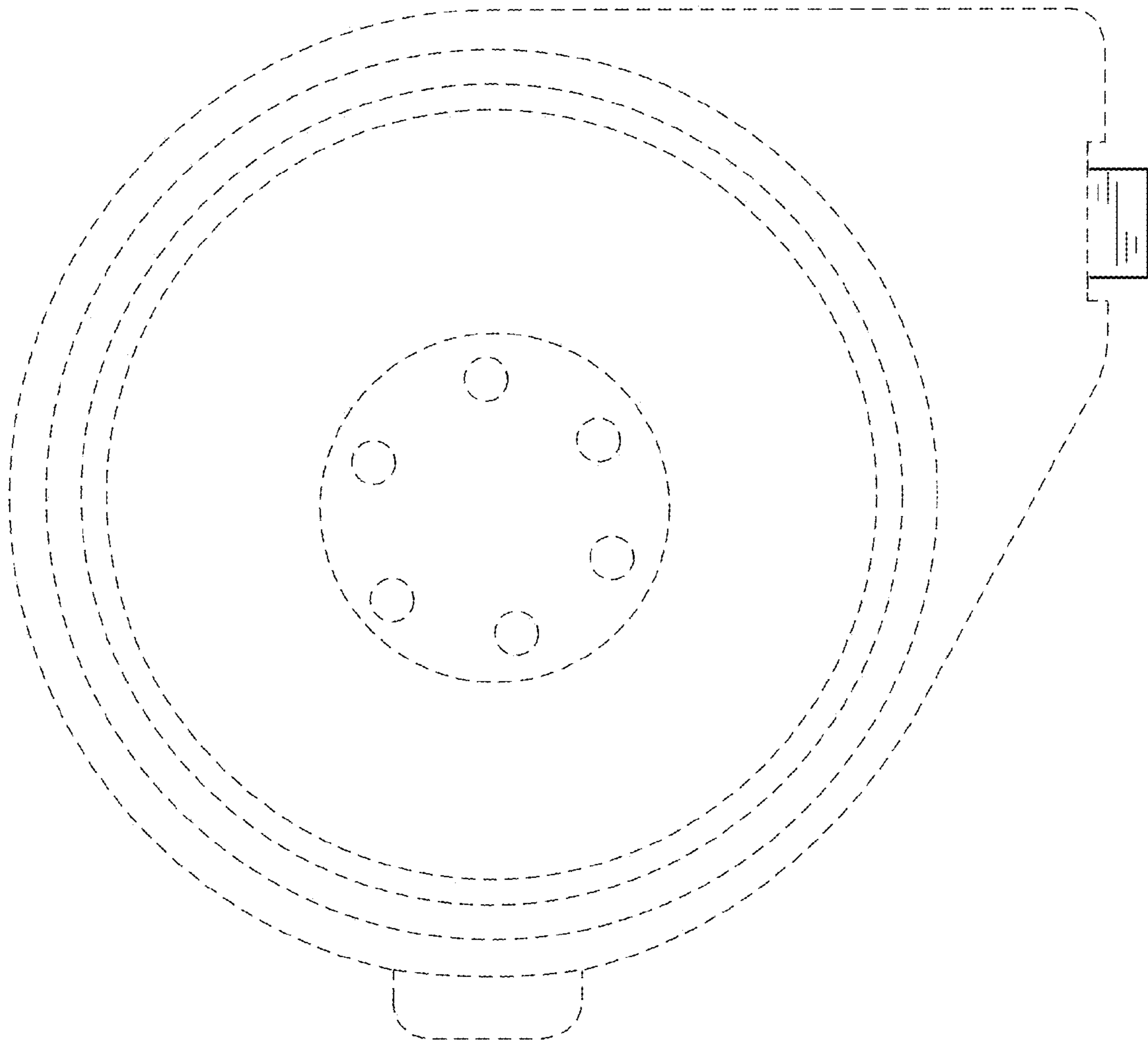


FIG. 4

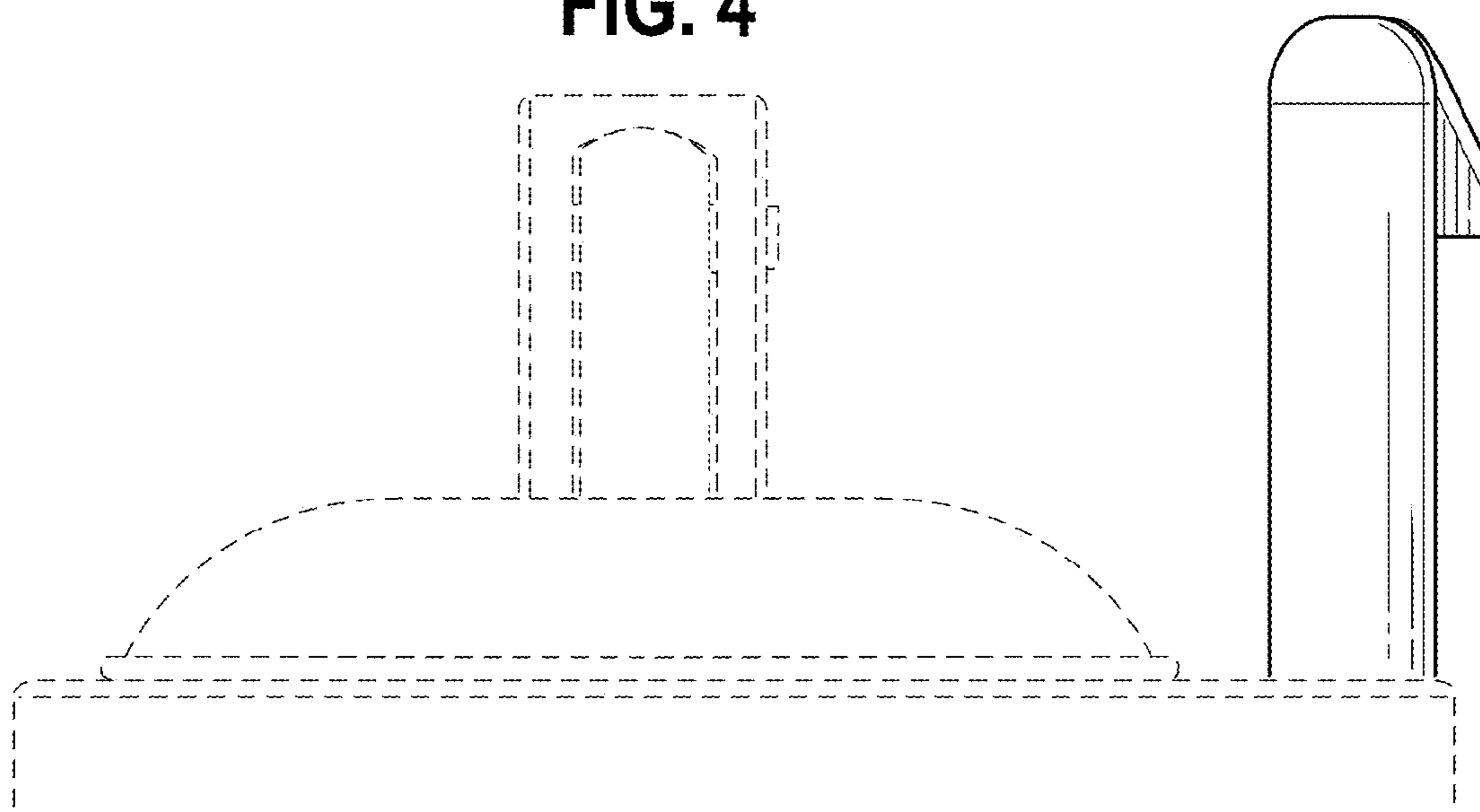


FIG. 5

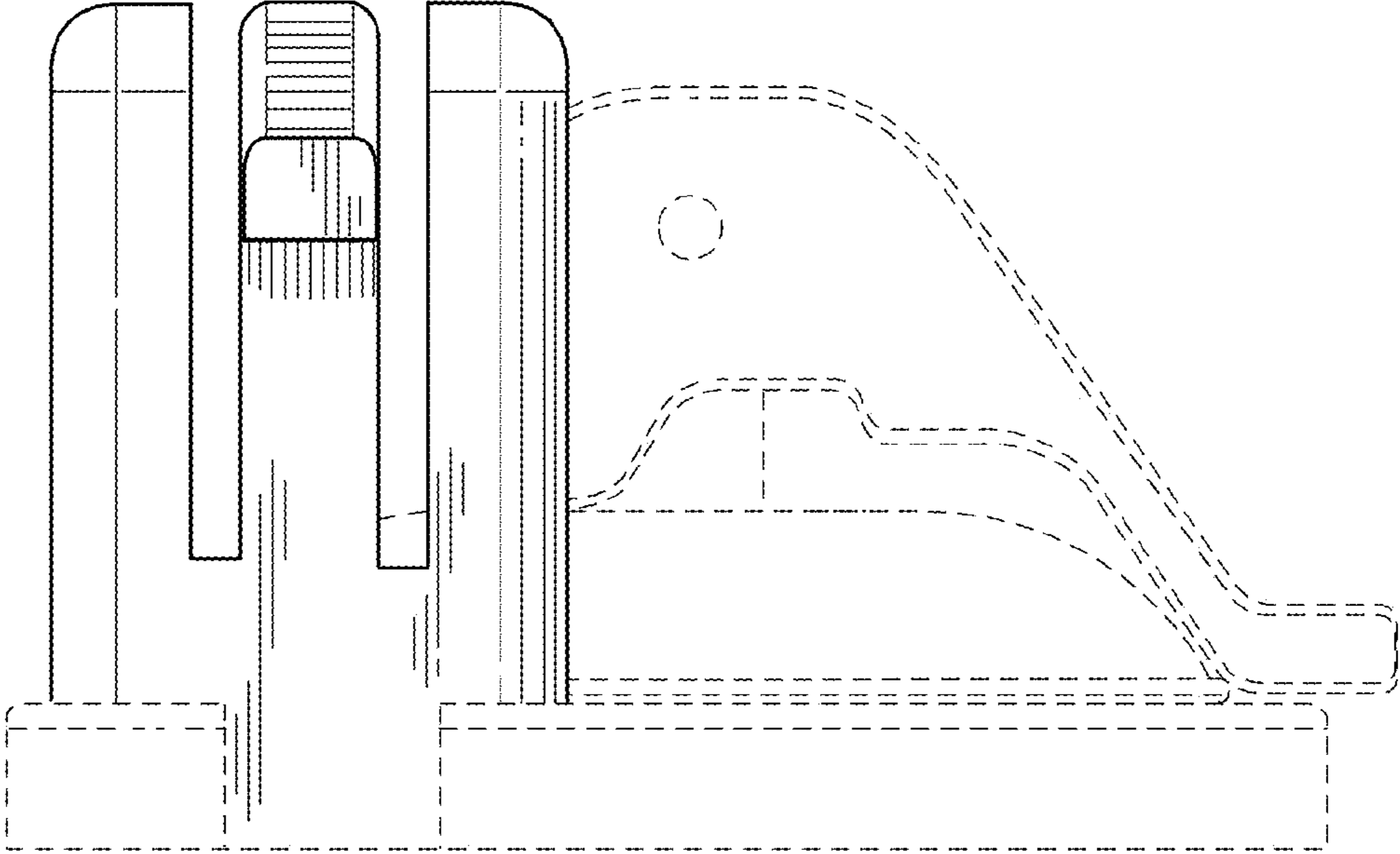


FIG. 6

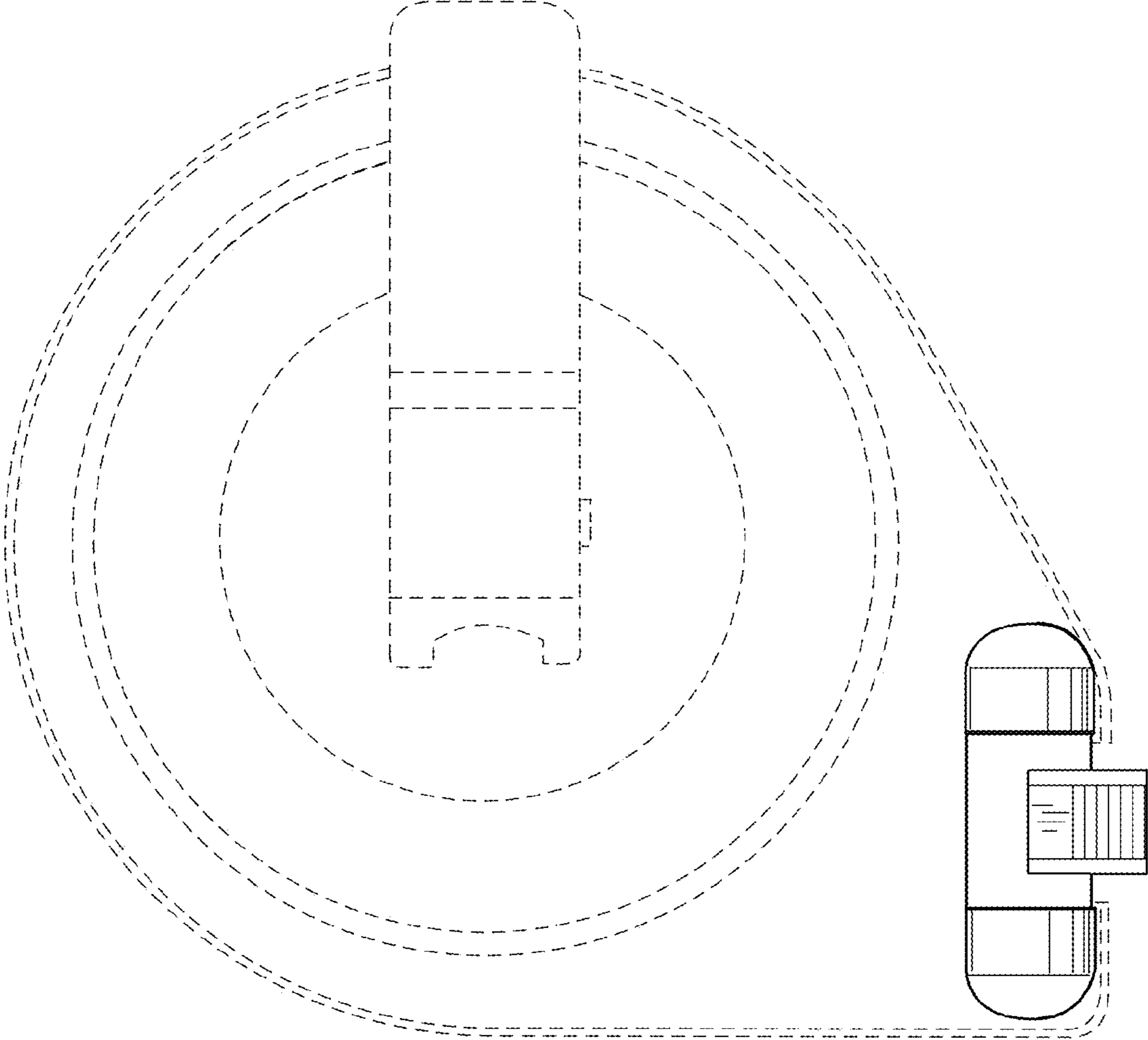


FIG. 7

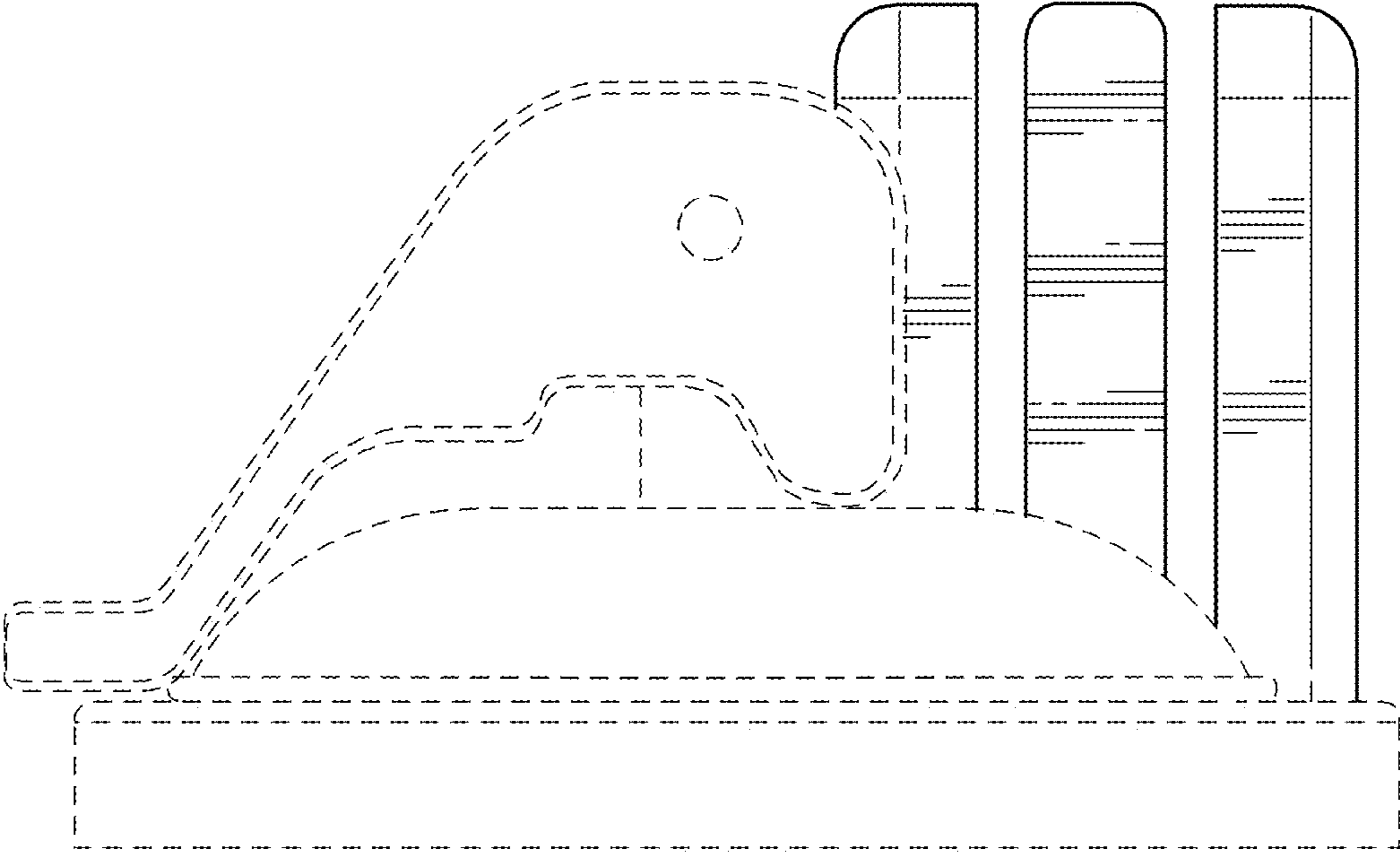


FIG. 8

