



US00D961358S

(12) **United States Design Patent** (10) **Patent No.:** **US D961,358 S**
Grebach et al. (45) **Date of Patent:** **** Aug. 23, 2022**

(54) **DOOR HANDLE PROTECTION DEVICE**

OTHER PUBLICATIONS

(71) Applicants: **PullGuards, LLC**, Madison, CT (US);
IDEAZ, LLC, Glastonbury, CT (US)

“New Door Handle Improves Sanitation”, Nov. 3, 2009, YouTube.com, site visited Mar. 29, 2022: <https://www.youtube.com/watch?v=t1MPIRcjH1M> (Year: 2009).*

(72) Inventors: **Justin R. Grebach**, Madison, CT (US); **Alexander Schwarzkopf**, Madison, CT (US); **Jesse S. Kruska**, Westport, CT (US); **Andrew E. Reed**, Trumbull, CT (US); **Christopher D. Hageman**, Glastonbury, CT (US); **John P. Records**, Middletown, CT (US); **David Mathieu**, Pompano Beach, FL (US)

(Continued)

Primary Examiner — Jack Reickel

Assistant Examiner — Michael A Kervin

(74) *Attorney, Agent, or Firm* — Duquette Law Group

(73) Assignees: **PullGuards, LLC**, Madison, CT (US);
IDEAZ, LLC, Glastonbury, CT (US)

(57) **CLAIM**

We claim the ornamental design for a door handle protection device, as shown and described.

(**) Term: **15 Years**

DESCRIPTION

(21) Appl. No.: **29/756,108**

FIG. 1 is a top perspective view of a first embodiment of a door handle protection device according to our new design;

(22) Filed: **Oct. 26, 2020**

FIG. 2 is a front view thereof;

(51) **LOC (13) Cl.** **08-06**

FIG. 3 is a rear view thereof;

(52) **U.S. Cl.**

FIG. 4 is a right side view thereof;

USPC **D8/321**; D8/308

FIG. 5 is a left side view thereof;

(58) **Field of Classification Search**

CPC A47B 95/02; Y10T 16/458; Y10T 16/462;
E05B 1/0053; E05B 1/0069; Y10S
16/901

FIG. 6 is a top view thereof;

FIG. 7 is a bottom view thereof;

FIG. 8 is a bottom perspective view of the door handle protection device shown with environment;

See application file for complete search history.

FIG. 9 is a top perspective view of a second embodiment of a door handle protection device according to our new design;

(56) **References Cited**

FIG. 10 is a front view thereof;

FIG. 11 is a rear view thereof;

U.S. PATENT DOCUMENTS

1,426,357 A * 8/1922 John E05D 15/00
16/412
3,121,907 A * 2/1964 Stebbins E05B 1/0053
16/443

FIG. 12 is a right side view thereof;

FIG. 13 is a left side view thereof;

FIG. 14 is a top view thereof;

FIG. 15 is a bottom view thereof; and,

FIG. 16 is a bottom perspective view of the door handle protection device shown with environment.

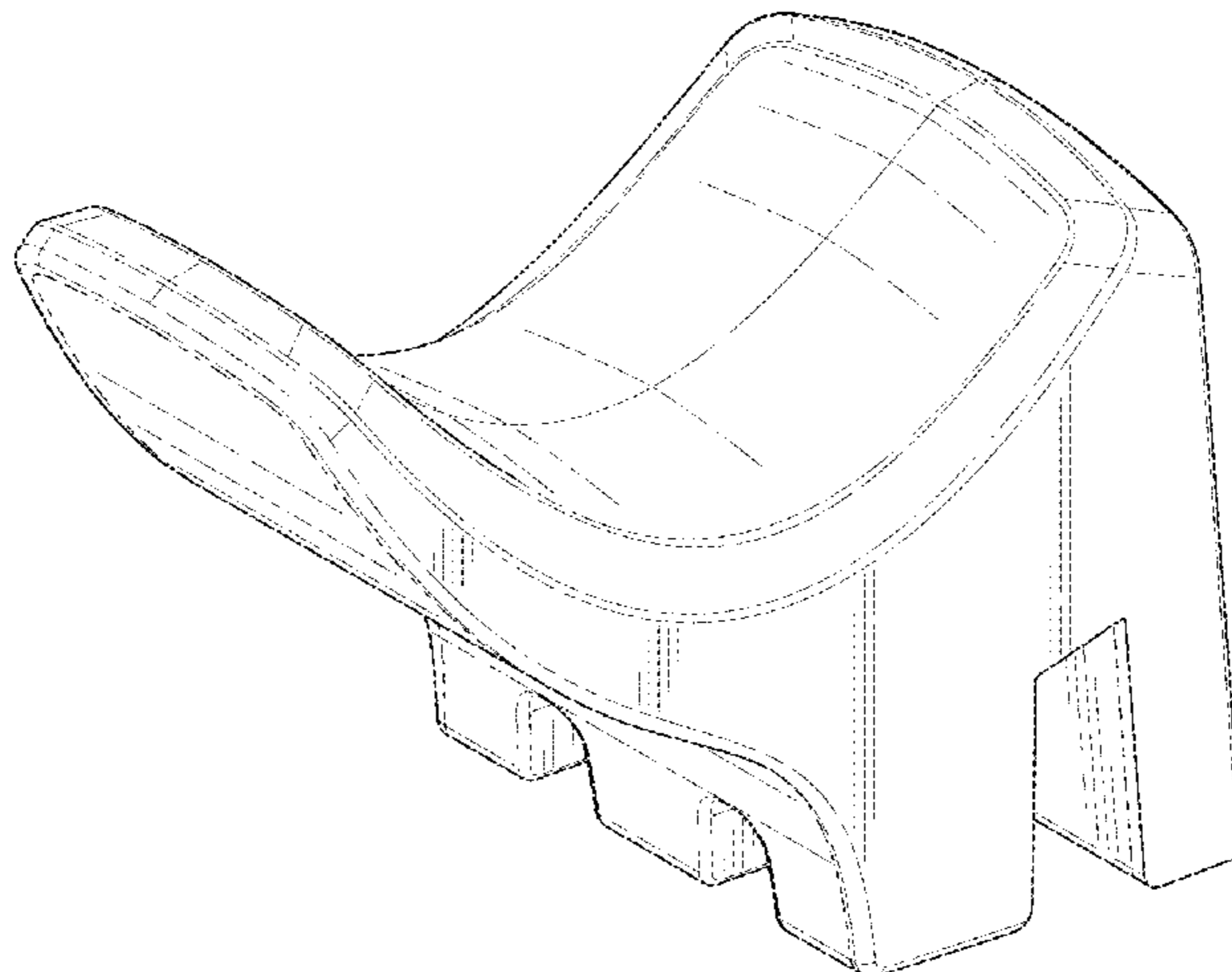
(Continued)

The long-short-short broken line showing of a seam and the short broken line showing of channel and hardware openings are for the purpose of illustrating portions of the door handle protection device and form no part of the claimed design.

FOREIGN PATENT DOCUMENTS

WO 20015537 8/2001

(Continued)



The broken line showing of a door handle is for the purpose of illustrating environmental structure and forms no part of the claimed design.

1 Claim, 16 Drawing Sheets

(56)

References Cited

U.S. PATENT DOCUMENTS

D201,987	S *	8/1965	Webster	D8/320
D229,288	S *	11/1973	Watford	D8/320
D230,251	S *	2/1974	Waldo	D8/314
4,817,239	A	4/1989	Campbell		
D363,423	S *	10/1995	Fennell	D8/308
5,983,454	A	11/1999	Hartselle, III		
6,189,183	B1 *	2/2001	Hartselle, III	E05B 1/0069 16/412
6,289,557	B1	9/2001	Manson et al.		
D539,113	S *	3/2007	Fulkerson	D8/307
D591,137	S *	4/2009	Beckley	D8/308
D625,165	S *	10/2010	King	D8/307
D677,553	S *	3/2013	Shah	D8/302
8,522,482	B2	9/2013	Buck		
D722,855	S *	2/2015	Shah	D8/302
D722,856	S *	2/2015	Shah	D8/308
D726,689	S *	4/2015	Swendseid	D8/316
D787,913	S *	5/2017	Robinson	D8/308
D793,839	S *	8/2017	Darmali	D8/307
D859,956	S *	9/2019	McNaughton	D8/307
D929,206	S *	8/2021	Gori	D8/311
D929,844	S *	9/2021	Marks	D8/300
D940,529	S *	1/2022	Martone	D8/308
D940,530	S *	1/2022	Martone	D8/308
D941,114	S *	1/2022	Madden	D8/308
D945,246	S *	3/2022	Michalski	D8/308

OTHER PUBLICATIONS

“SanitGrasp SG-101 Hands Free Door Opener”, Oct. 16, 2012, Amazon.com, site visited Mar. 29, 2022: <https://www.amazon.com/SanitGrasp-SG-101-Hygienic-Door-Handle/dp/B009RO54EM/> (Year: 2012).*

“Hands-Free 3D-Printed Door Opener to Help Against the Spread of Coronavirus”, Mar. 16, 2020, YouTube.com, site visited Mar. 29, 2022: https://www.youtube.com/watch?v=w_j0En_Ef20 (Year: 2020).*

“Nakładka na klamkę EH2240-antybakteryjna-czarna”, Jul. 13, 2020, YouTube.com, site visited Mar. 29, 2022: <https://www.youtube.com/watch?v=MLNSV7Nt1k8> (Year: 2020).*

https://www.restroomdirect.com/doorwave_door_opener.aspx, visited Oct. 18, 2021, DoorWave Hands-Free Door Opener, pp. 1-3.

<https://www.homedepot.com/p/Aluminum-Satin-Silver-Grey-Hands-Free-Sanitary-Pull-for-Restroom-Exit-Door-2-Pack-5402-206047607/>, visited Oct. 18, 2021, Hands Free, Forearm Operated Door Opener, pp. 1-3.

<https://www.nyhandle.com/>, visited Apr. 13, 2021, ArmHandle, pp. 1-7.

<https://www.amazon.com/Hands-Free-Sanitary-Door-Opener-SDO-1/dp/B009R053UW>, visited Oct. 18, 2021, Clean Hands Hands Free Door Opener—Set of 2 with Accessories, p. 1.

<https://handsfreeconcepts.com/>, visited Oct. 18, 2021, Designing forearm opening door handles to support the NHS, pp. 1-2.

<https://designreality.co.uk/work/door-handle-nhs/>, visited Oct. 18, 2021, Sani-Handle, pp. 1-2.

Architectural Door Accessories—Rockwood Hands-Free Door Pulls, ASSA ABLOY Opening Solutions, Apr. 2020, pp. 1-4.

Hands Free Handle, Fortum, 2021, pp. 1-8.

Forearm Shield For Levers and Door Pulls, FSB, 2020, pp. 1-4.

https://www.youtube.com/watch?v=sLQzf-zV_Zo, visited Apr. 13, 2021, Hands Free Commercial Door Pull, Group Imaging Channel, Apr. 20, 2020, p. 1.

Hands Free Door Pull, Functional Form LLC, 2013, pp. 1-2.

Hands-Free Pulls catalog, PBA USA Inc., Feb. 2021, pp. 1-41.

<https://www.materialise.com/en/hands-free-door-opener>, visited Apr. 13, 2021, Hands Free Door Opener to Prevent the Spread of Coronavirus, Materialise, pp. 1-10.

<https://www.handsfree-dooropeners.com/en/handsfree-dooropener-novas.html>, visited Oct. 18, 2021, Handsfree door opener, Novas, pp. 1-2.

<https://www.pullclean.com/>, visited Apr. 13, 2021, OpenClean Technologies, pp. 1-6.

<http://mdbuildingproducts.com/product/m-d-hands-free-arm-operated-door-pull/>, visited Apr. 13, 2021, M-D Arm-Operated Door Pull, M-D Building Products, Inc., 2016, pp. 1-6.

<http://mdbuildingproducts.com/product/m-d-foot-operated-hands-free-door-pull/>, visited Apr. 13, 2021, M-D Foot-Operated Door Pull, M-D Building Products, Inc., 2016, pp. 1-5.

AP330 Series Hands-free Adjustable Handle, Trimco, 2021, pp. 1-2.

Installation Guide For 1035, Ultimate Restroom Products, Trimco, Sep. 2020, pp. 1-2.

1135 Series Ultimate Grip, Trimco, 2020, p. 1.

* cited by examiner

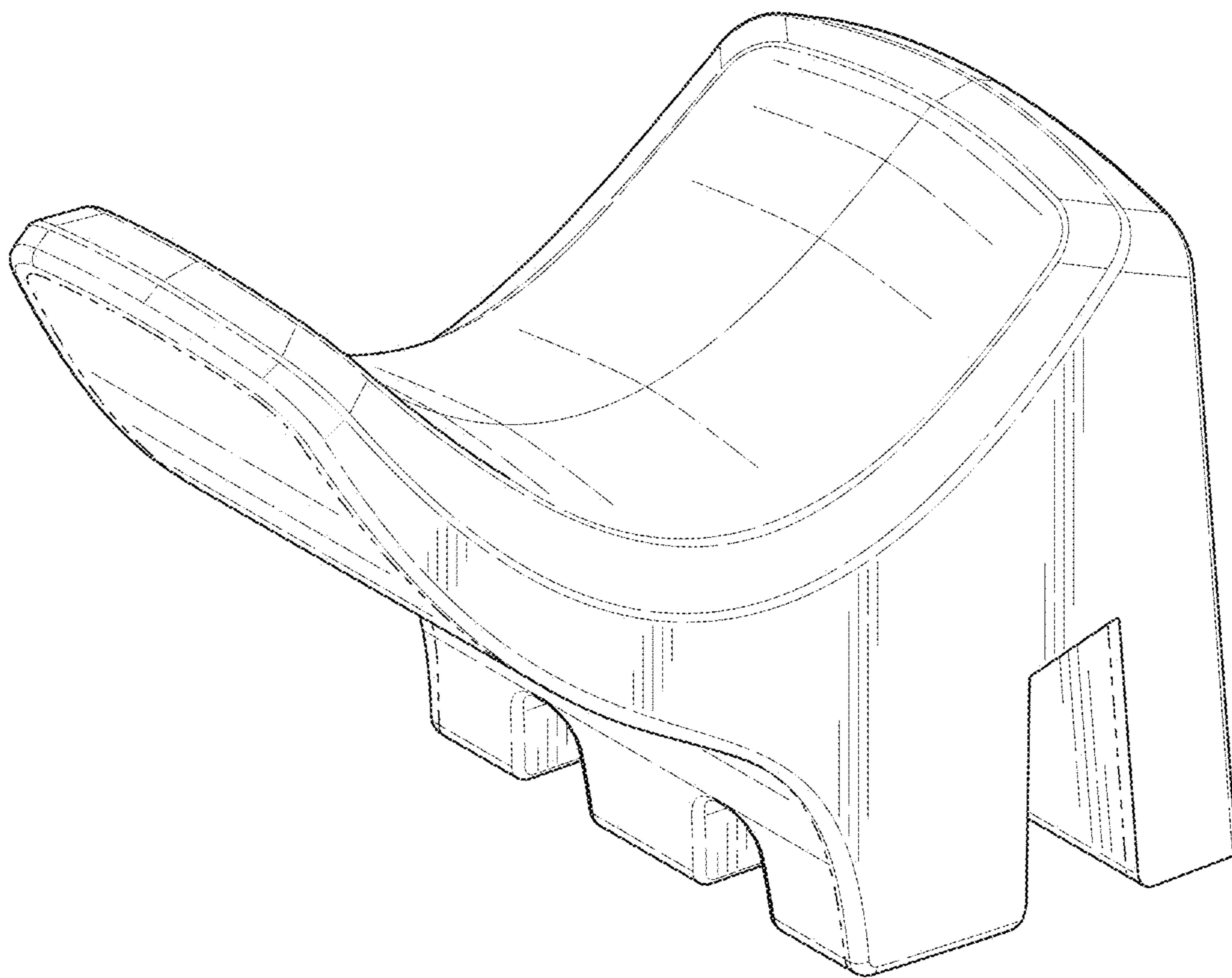


FIG. 1

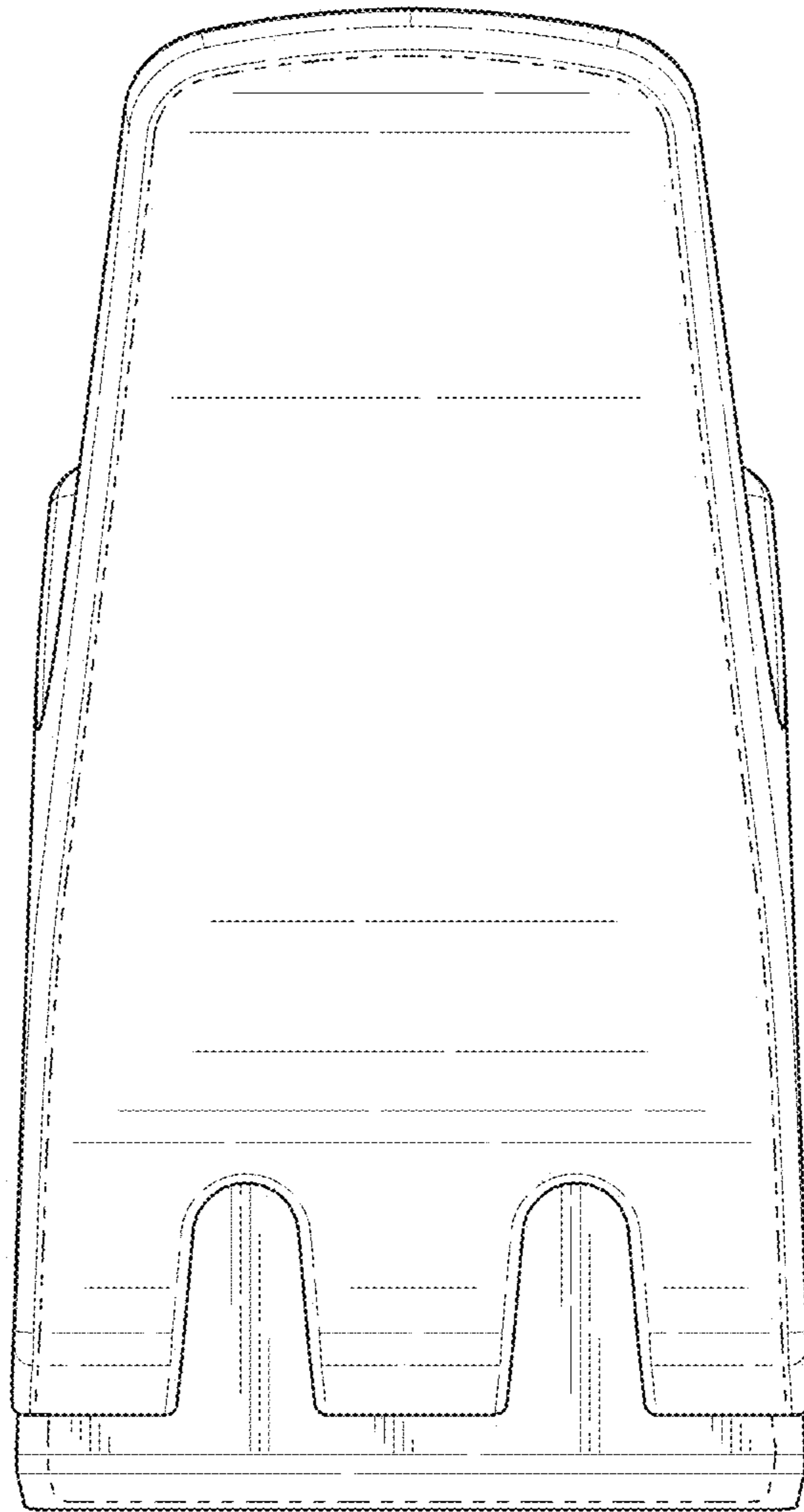


FIG. 2

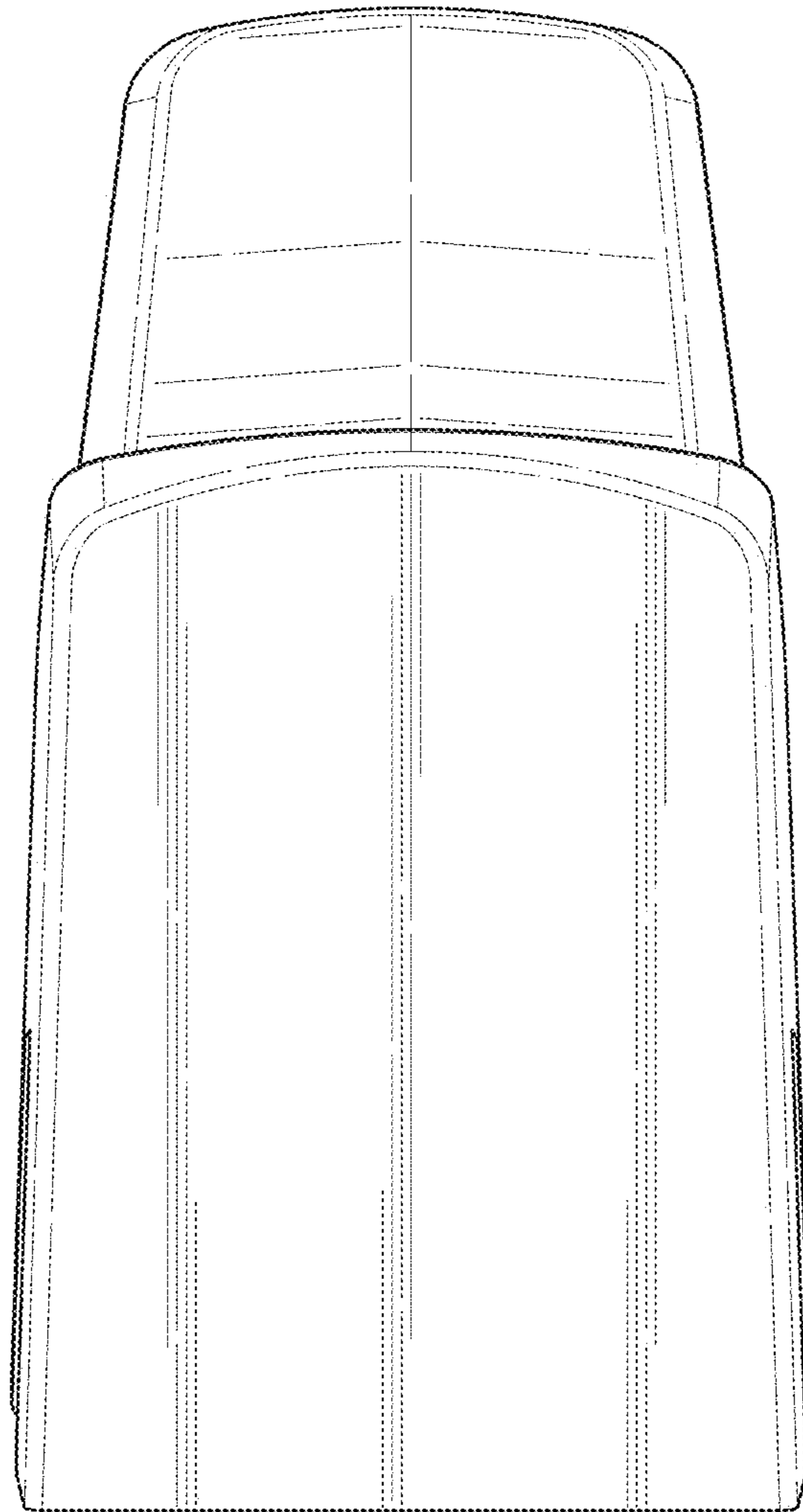


FIG. 3

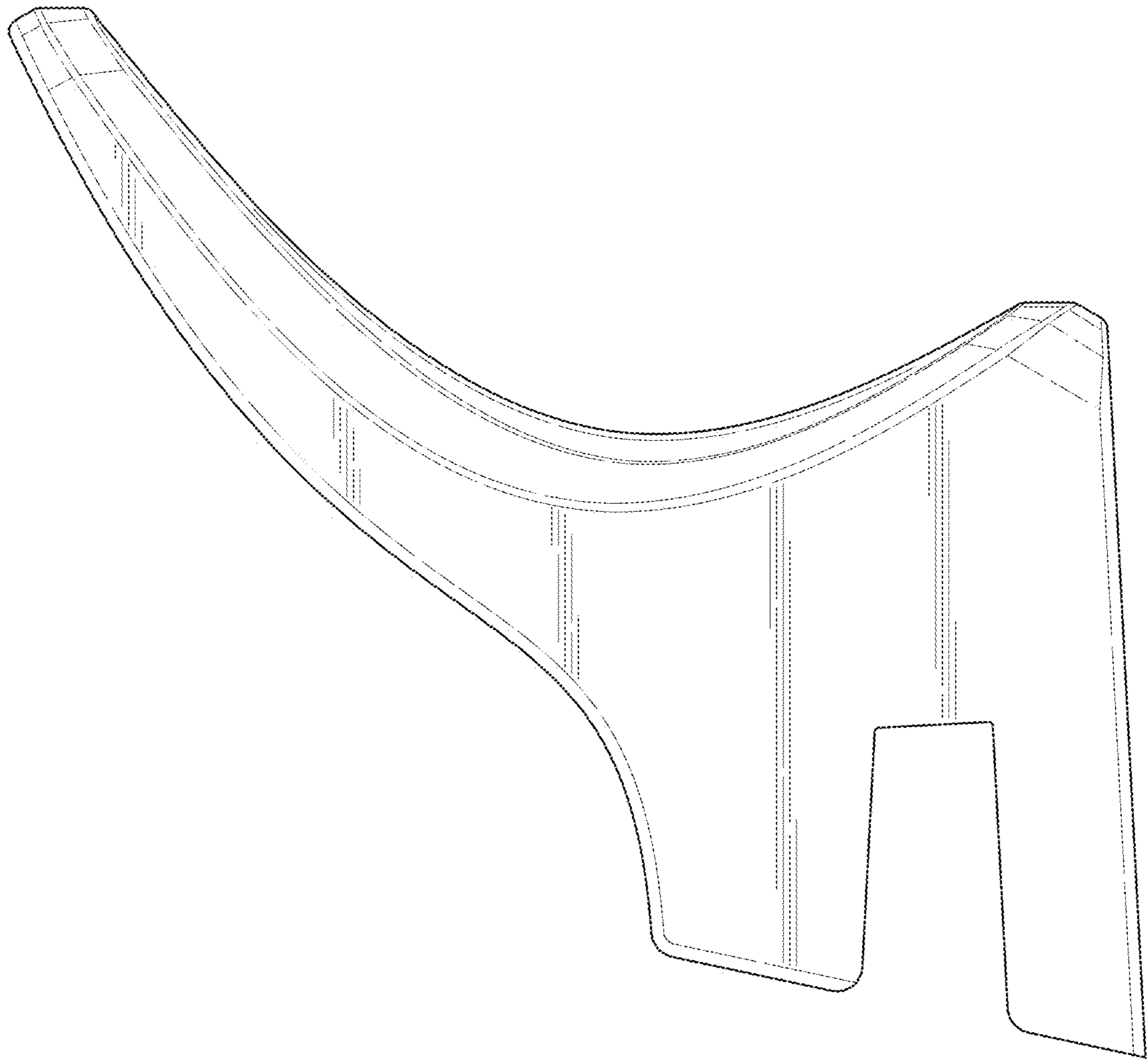


FIG. 4

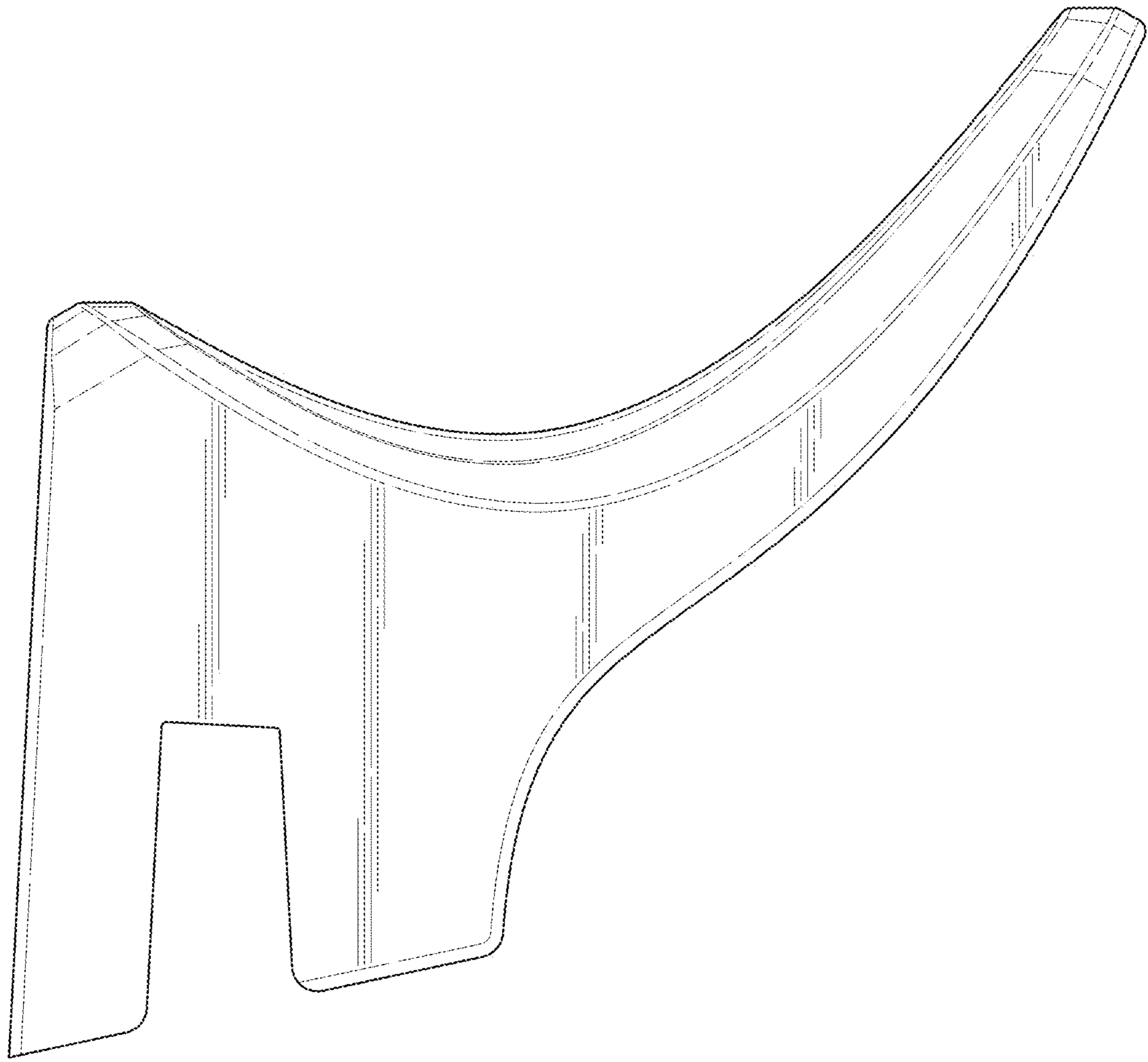


FIG. 5

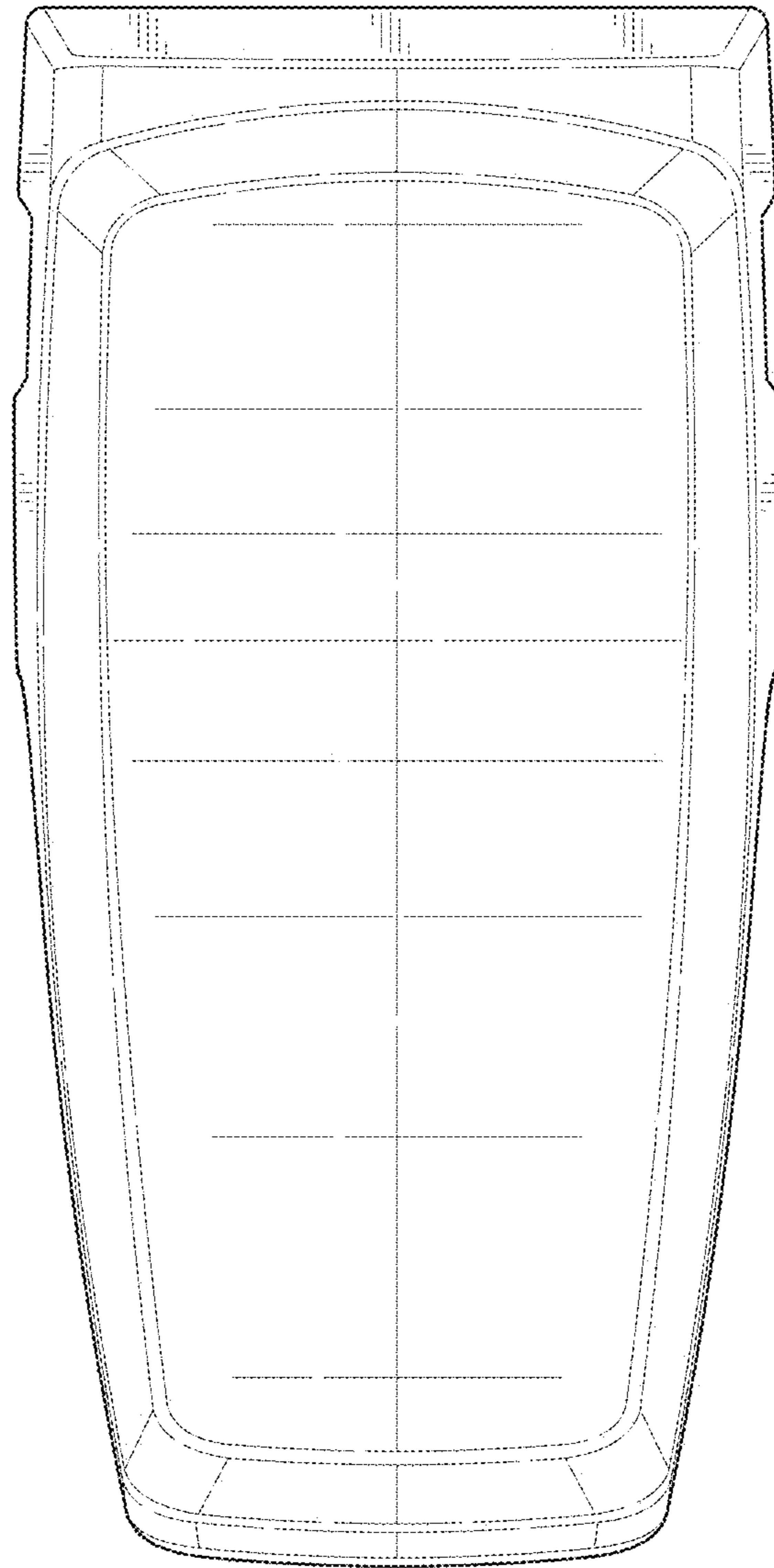


FIG. 6

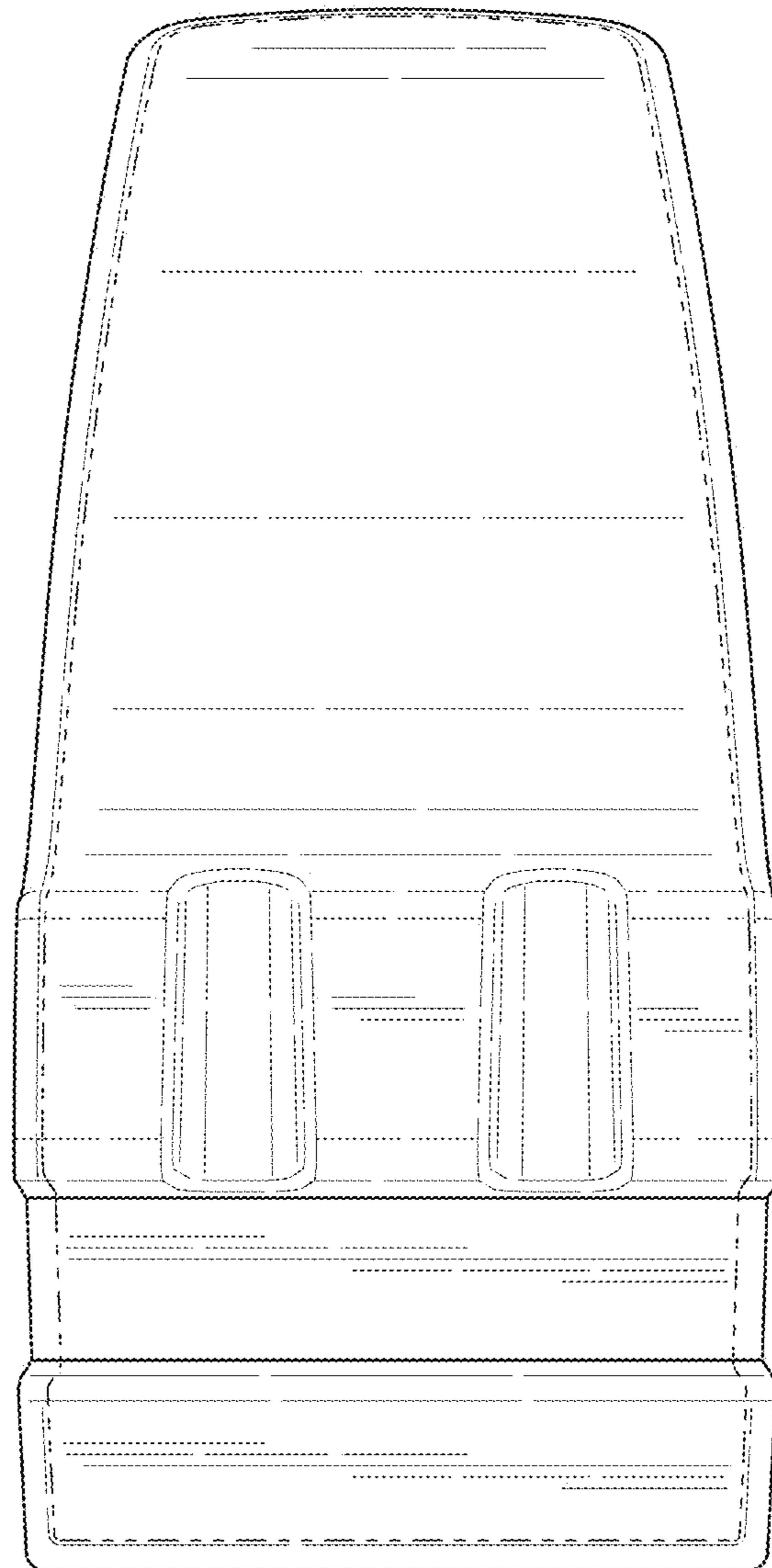


FIG. 7

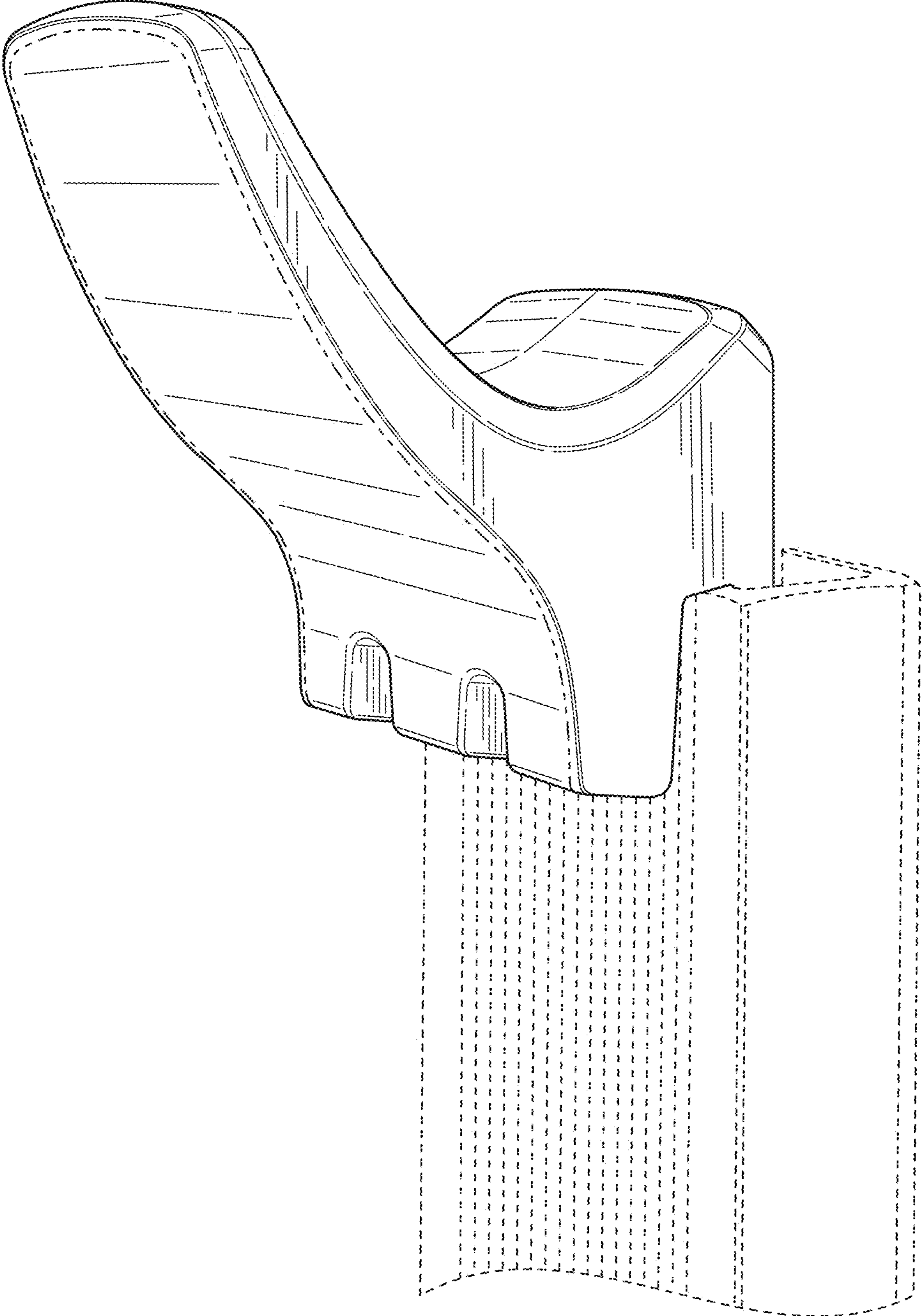


FIG. 8

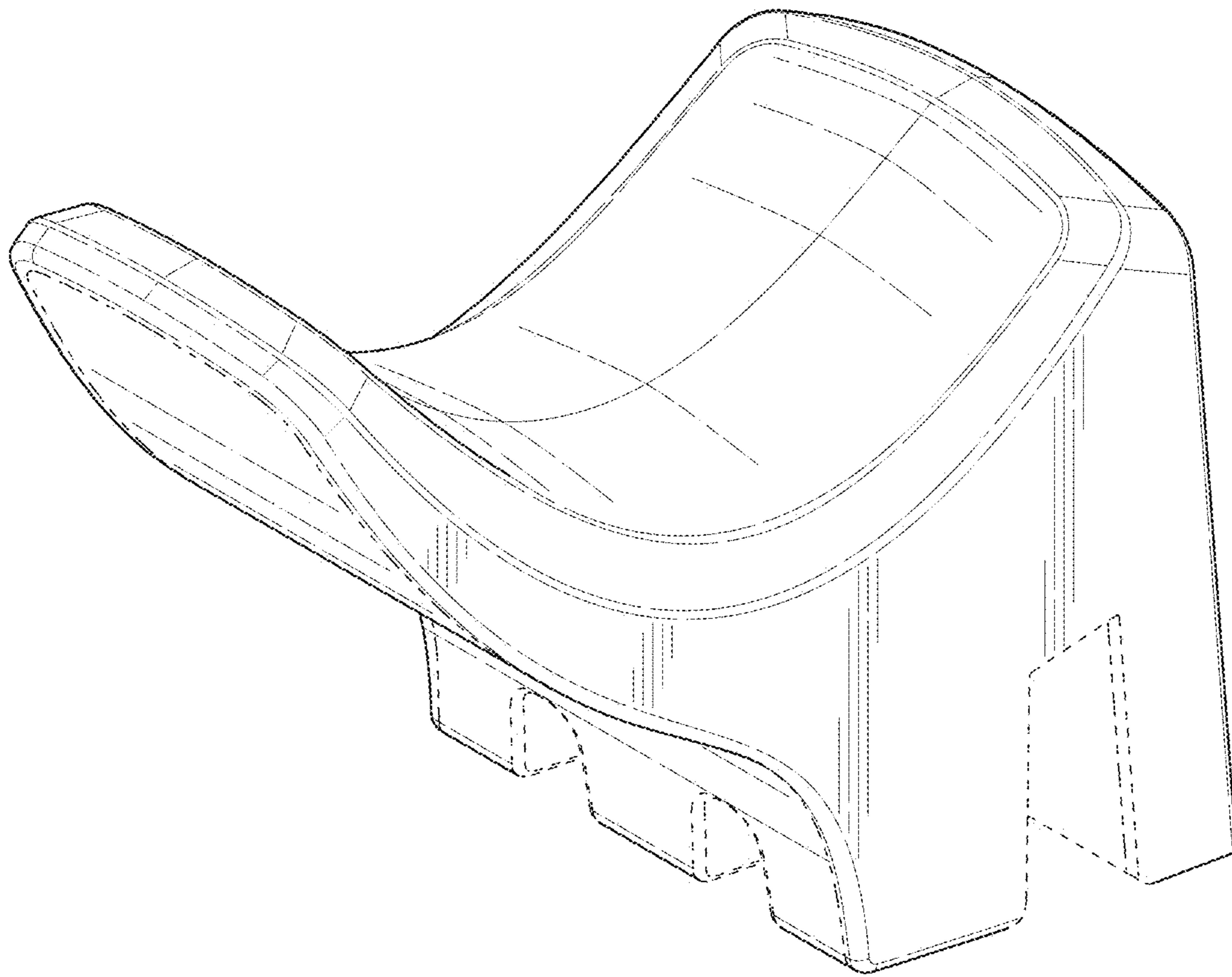


FIG. 9

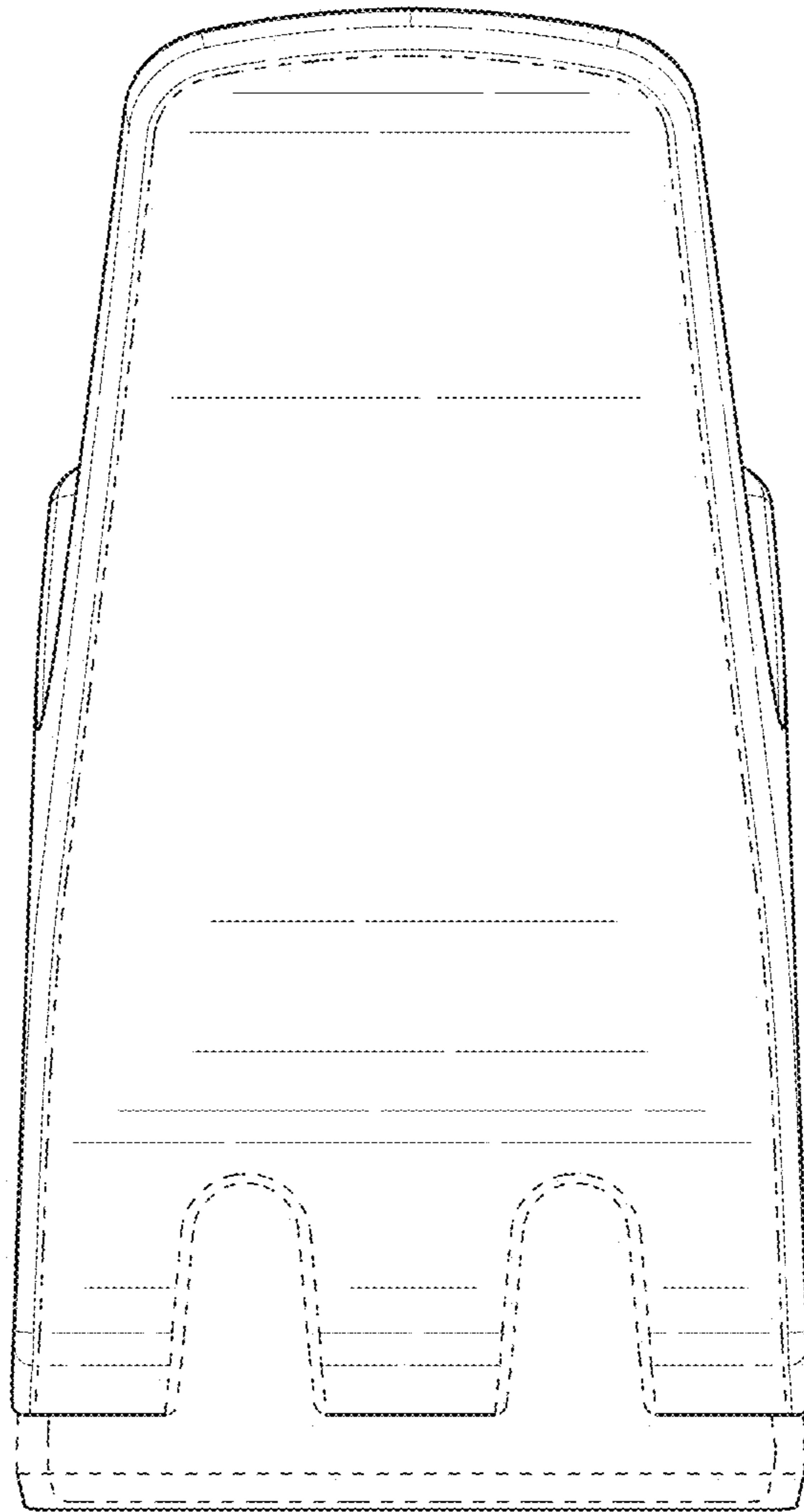


FIG. 10

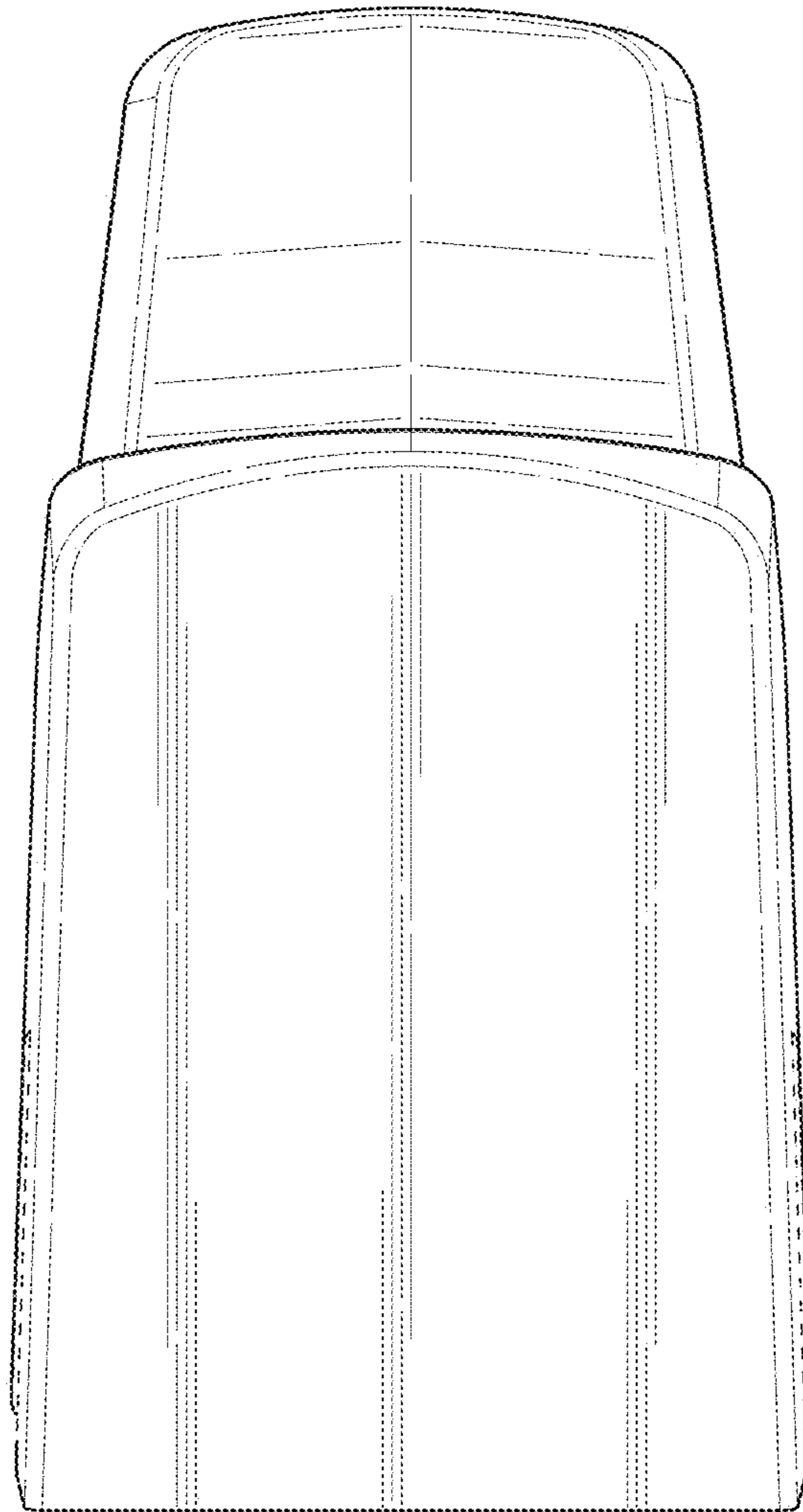


FIG. 11

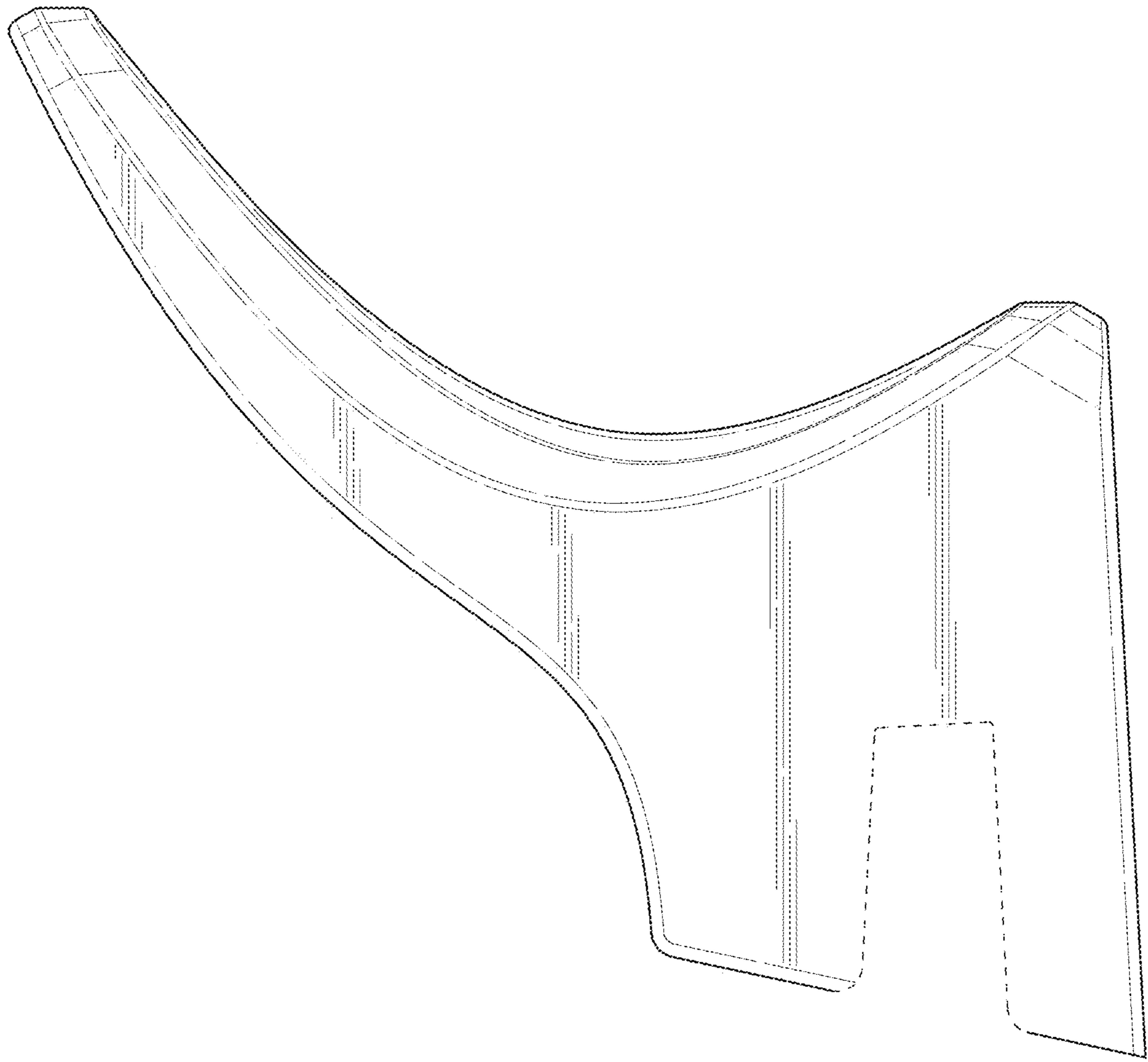


FIG. 12

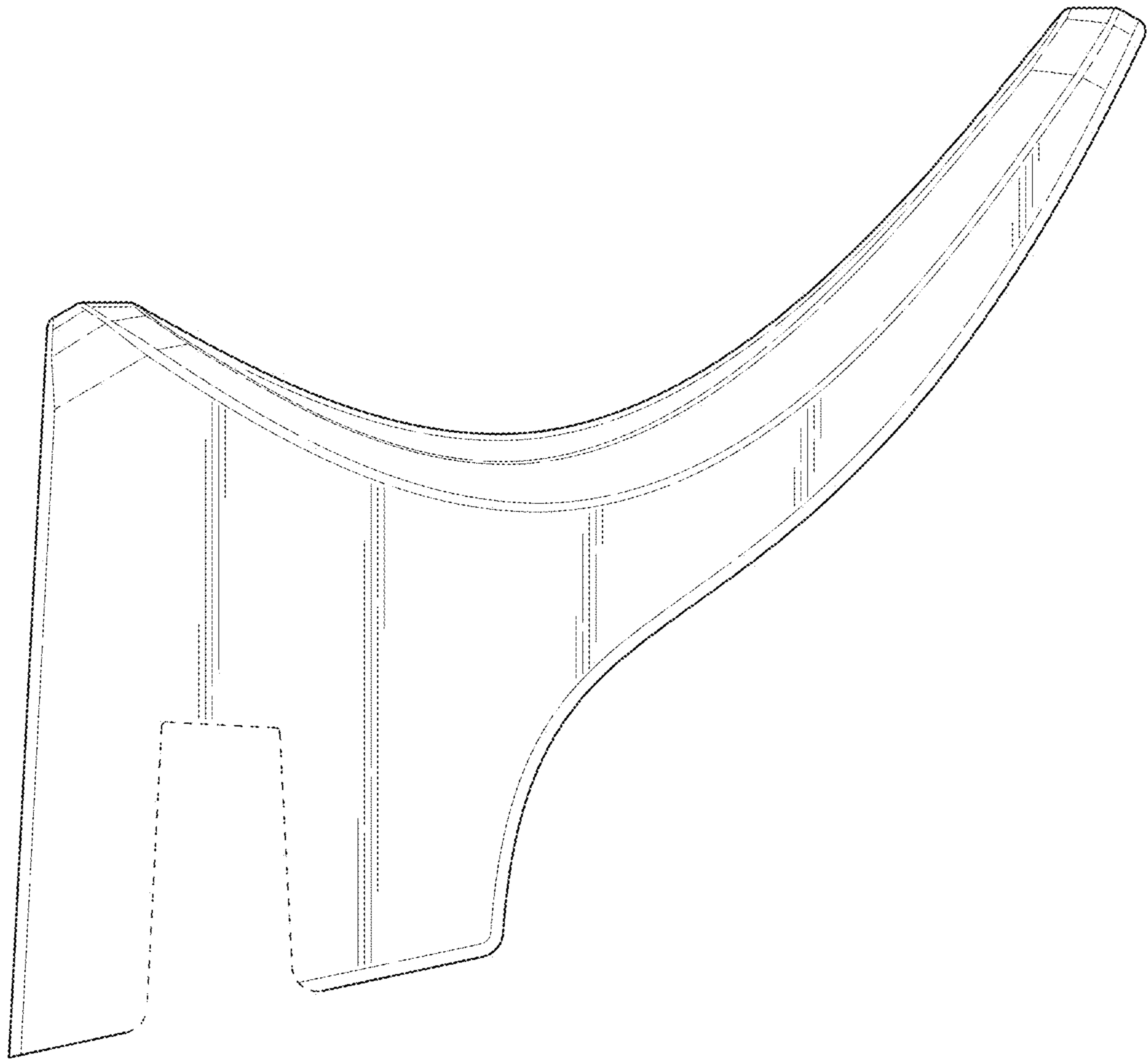


FIG. 13

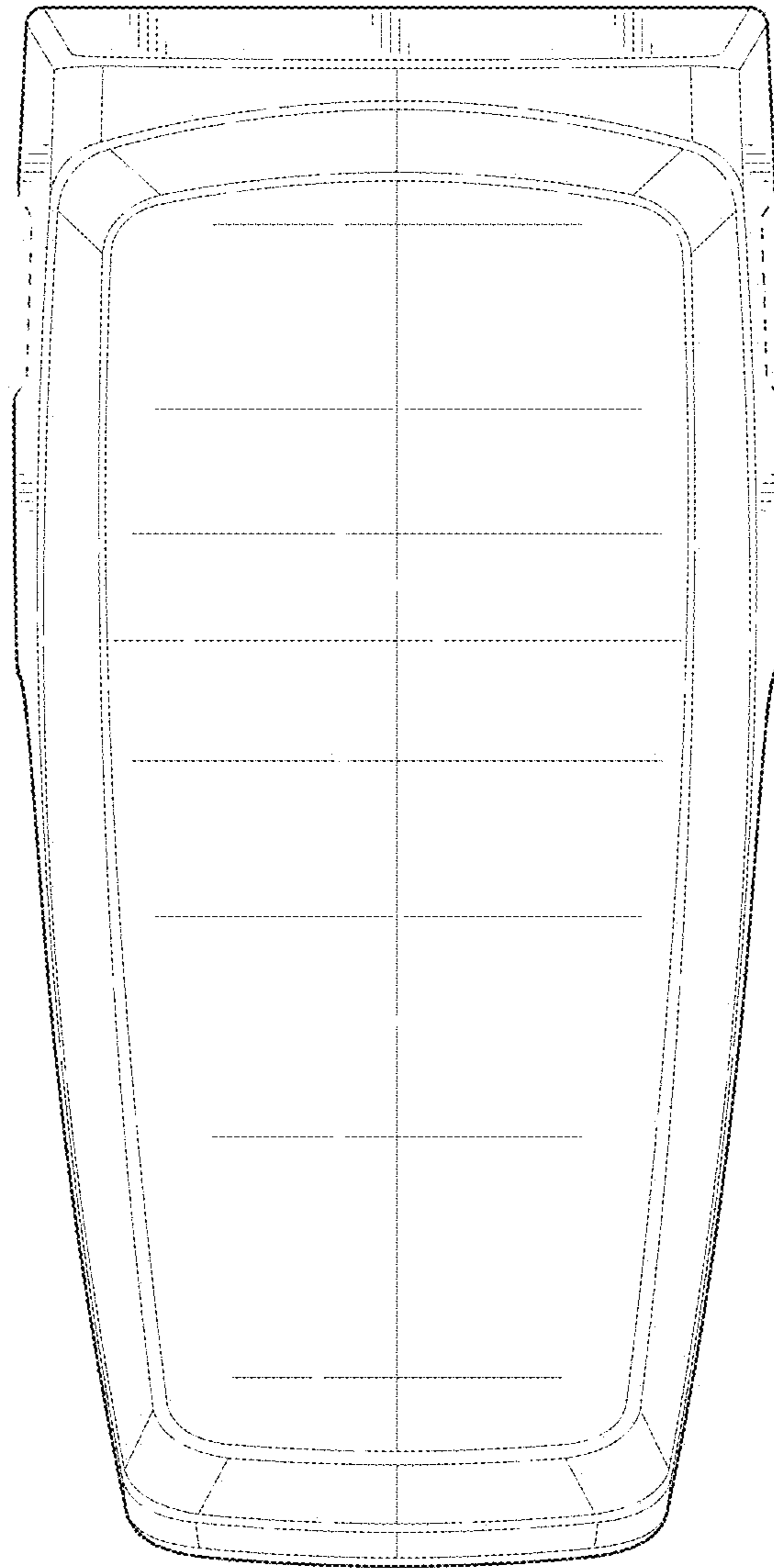


FIG. 14

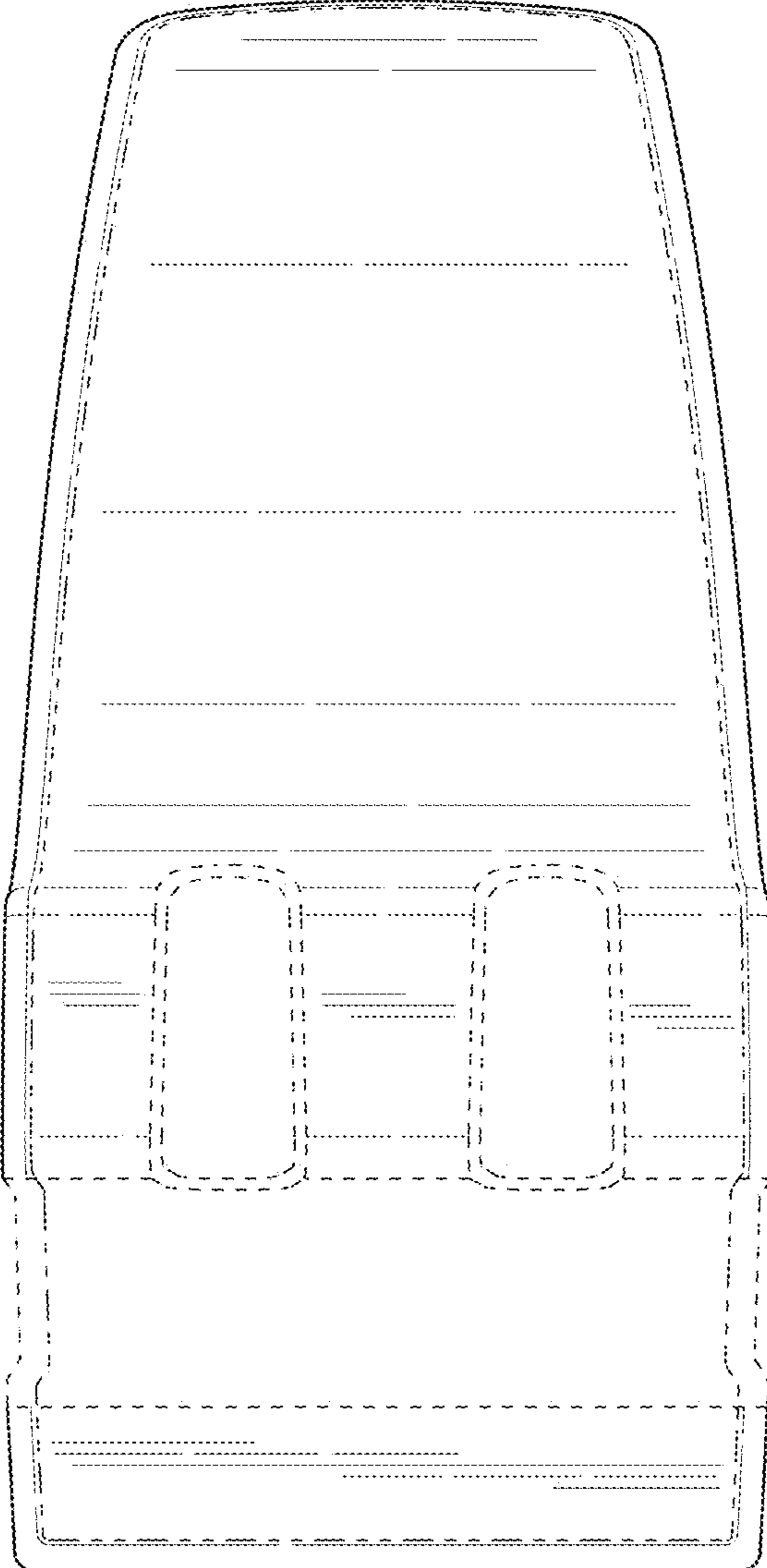


FIG. 15

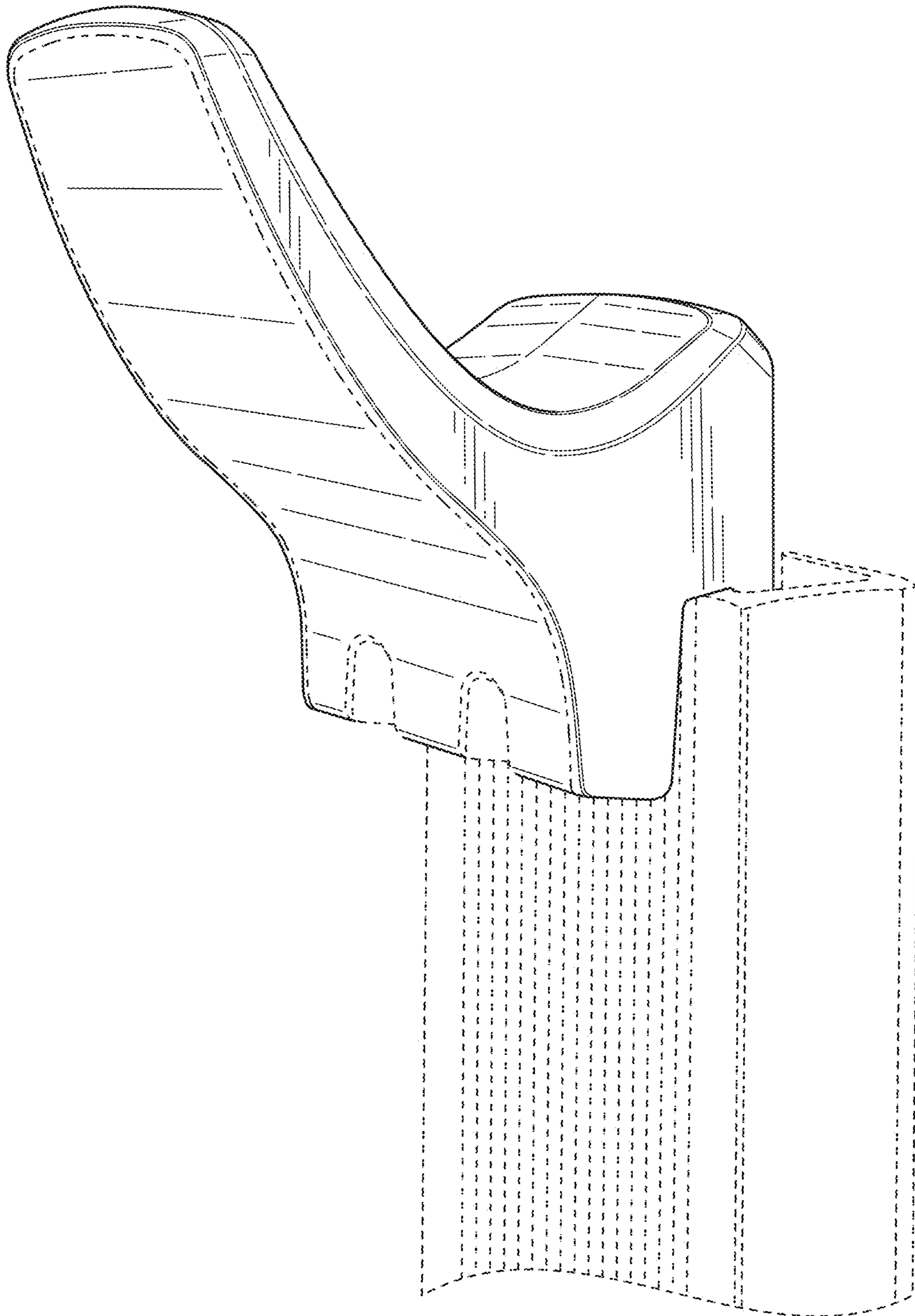


FIG. 16