



US00D961357S

(12) **United States Design Patent**  
**Grebach et al.**

(10) **Patent No.:** **US D961,357 S**

(45) **Date of Patent:** **\*\* Aug. 23, 2022**

(54) **DOOR HANDLE PROTECTION DEVICE**

(71) Applicants: **PullGuards, LLC**, Madison, CT (US);  
**IDEAZ, LLC**, Glastonbury, CT (US)

(72) Inventors: **Justin R. Grebach**, Madison, CT (US); **Alexander Schwarzkopf**, Madison, CT (US); **Jesse S. Kruska**, Westport, CT (US); **Andrew E. Reed**, Trumbull, CT (US); **Christopher D. Hageman**, Glastonbury, CT (US); **John P. Records**, Middletown, CT (US); **David Mathieu**, Pompano Beach, FL (US)

(73) Assignees: **PullGuards, LLC**, Madison, CT (US);  
**IDEAZ, LLC**, Glastonbury, CT (US)

(\*\*) Term: **15 Years**

(21) Appl. No.: **29/756,098**

(22) Filed: **Oct. 26, 2020**

(51) **LOC (13) Cl.** ..... **08-06**

(52) **U.S. Cl.**  
USPC ..... **D8/321; D8/308**

(58) **Field of Classification Search**  
CPC ..... A47B 95/02; Y10T 16/458; Y10T 16/462;  
E05B 1/0053; E05B 1/0069; Y10S  
16/901

See application file for complete search history.

(56) **References Cited**

**U.S. PATENT DOCUMENTS**

1,426,357 A \* 8/1922 Chambers ..... E05D 15/00  
16/412  
3,121,907 A \* 2/1964 Stebbins ..... E05B 1/0053  
16/443

(Continued)

**FOREIGN PATENT DOCUMENTS**

WO 20015537 8/2001

**OTHER PUBLICATIONS**

“New Door Handle Improves Sanitation”, Nov. 3, 2009, YouTube.com, site visited Mar. 29, 2022: <https://www.youtube.com/watch?v=t1MPIRcjH1M> (Year: 2009).\*

(Continued)

*Primary Examiner* — Jack Reickel

*Assistant Examiner* — Michael A Kervin

(74) *Attorney, Agent, or Firm* — Duquette Law Group

(57) **CLAIM**

We claim the ornamental design for a door handle protection device, as shown and described.

**DESCRIPTION**

FIG. 1 is a top perspective view of a first embodiment of a door handle protection device according to our new design;

FIG. 2 is a front view thereof;

FIG. 3 is a rear view thereof;

FIG. 4 is a right side view thereof;

FIG. 5 is a left side view thereof;

FIG. 6 is a top view thereof;

FIG. 7 is a bottom view thereof;

FIG. 8 is a bottom perspective view of the door handle protection device shown with environment;

FIG. 9 is a top perspective view of a second embodiment of a door handle protection device according to our new design;

FIG. 10 is a front view thereof;

FIG. 11 is a rear view thereof;

FIG. 12 is a right side view thereof;

FIG. 13 is a left side view thereof;

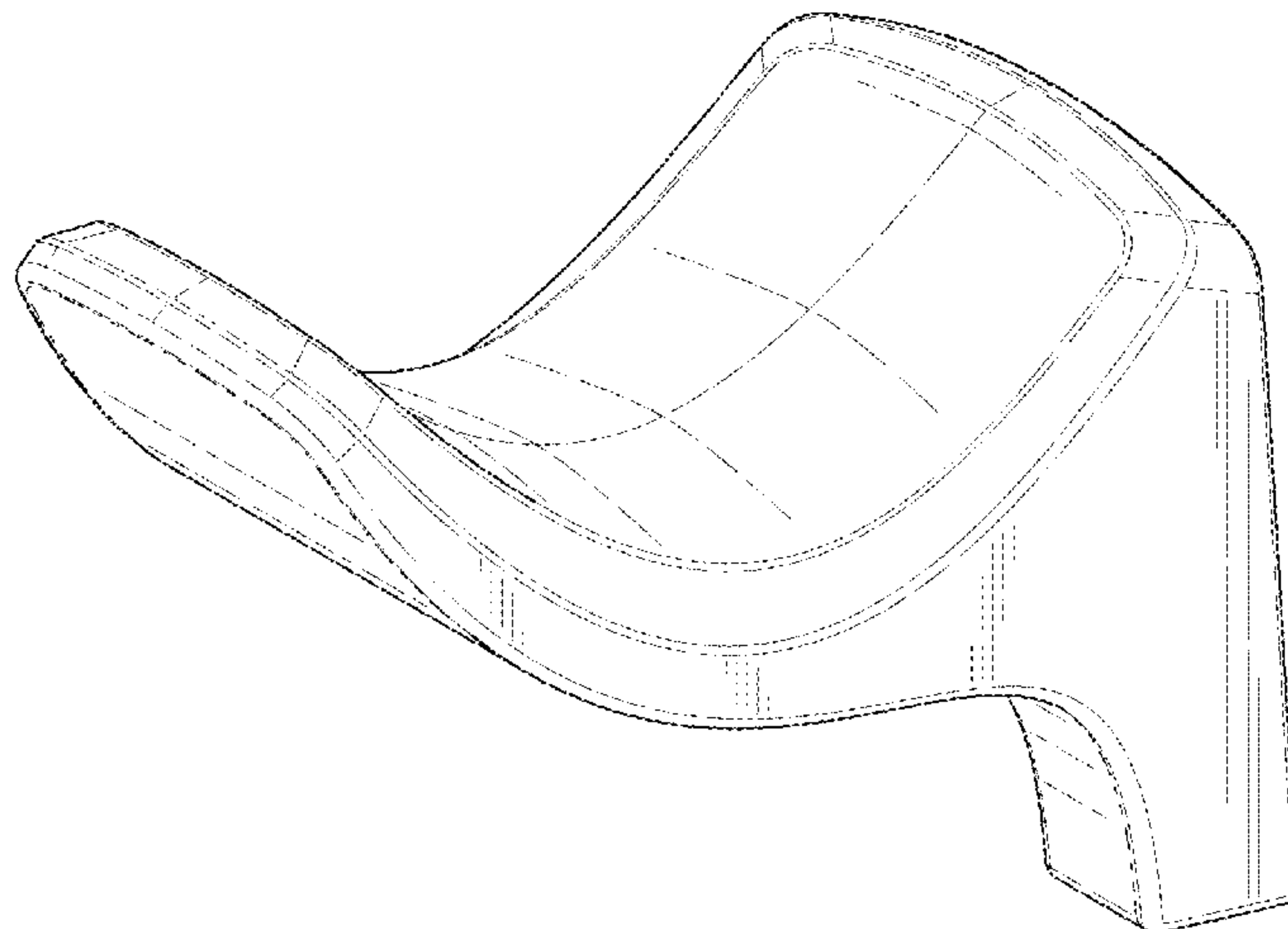
FIG. 14 is a top view thereof;

FIG. 15 is a bottom view thereof; and,

FIG. 16 is a bottom perspective view of the door handle protection device shown with environment.

The long-short-short broken line showing of a seam and the short broken line showing of channel and hardware openings are for the purpose of illustrating portions of the door handle protection device and form no part of the claimed design.

(Continued)



The broken line showing of a door handle is for the purpose of illustrating environmental structure and forms no part of the claimed design.

**1 Claim, 16 Drawing Sheets**

(56)

**References Cited**

U.S. PATENT DOCUMENTS

D201,987	S *	8/1965	Webster .....	D8/320
D229,288	S *	11/1973	Watford .....	D8/320
D230,251	S *	2/1974	Waldo .....	D8/314
4,817,239	A	4/1989	Campbell	
D363,423	S *	10/1995	Fennell .....	D8/308
5,983,454	A	11/1999	Hartselle, III	
6,189,183	B1 *	2/2001	Hartselle, III .....	E05B 1/0069 16/412
6,289,557	B1	9/2001	Manson et al.	
D539,113	S *	3/2007	Fulkerson .....	D8/307
D591,137	S *	4/2009	Beckley .....	D8/308
D625,165	S *	10/2010	King .....	D8/307
D677,553	S *	3/2013	Shah .....	D8/302
8,522,482	B2	9/2013	Buck	
D722,855	S *	2/2015	Shah .....	D8/302
D722,856	S *	2/2015	Shah .....	D8/308
D726,689	S *	4/2015	Swendseid .....	D8/316
D787,913	S *	5/2017	Robinson .....	D8/308
D793,839	S *	8/2017	Darmali .....	D8/307
D859,956	S *	9/2019	McNaughton .....	D8/307
D929,206	S *	8/2021	Gori .....	D8/311
D929,844	S *	9/2021	Marks .....	D8/300
D940,529	S *	1/2022	Martone .....	D8/308
D940,530	S *	1/2022	Martone .....	D8/308
D941,114	S *	1/2022	Madden .....	D8/308
D945,246	S *	3/2022	Michalski .....	D8/308

OTHER PUBLICATIONS

“SanitGrasp SG-101 Hands Free Door Opener”, Oct. 16, 2012, Amazon.com, site visited Mar. 29, 2022: <https://www.amazon.com/SanitGrasp-SG-101-Hygienic-Door-Handle/dp/B009RO54EM/> (Year: 2012).\*

“Hands-Free 3D-Printed Door Opener to Help Against the Spread of Coronavirus”, Mar. 16, 2020, YouTube.com, site visited Mar. 29, 2022: [https://www.youtube.com/watch?v=w\\_J0En\\_Ef20](https://www.youtube.com/watch?v=w_J0En_Ef20) (Year: 2020).\*

“Nakładka na klamkę EH2240-antybakteryjna-czarna”, Jul. 13, 2020, YouTube.com, site visited Mar. 29, 2022: <https://www.youtube.com/watch?v=MLNSV7Nt1k8> (Year: 2020).\*

AP330 Series Hands-free Adjustable Handle, Trimco, 2021, pp. 1-2. Installation Guide For 1035, Ultimate Restroom Products, Trimco, Sep. 2020, pp. 1-2.

1135 Series Ultimate Grip, Trimco, 2020, p. 1. [https://www.restroomdirect.com/doorwave\\_door\\_opener.aspx](https://www.restroomdirect.com/doorwave_door_opener.aspx), visited Oct. 18, 2021, DoorWave Hands-Free Door Opener, pp. 1-3. <https://www.homedepot.com/p/Aluminum-Satin-Silver-Grey-Hands-Free-Sanitary-Pull-for-Restroom-Exit-Door-2-Pack-5402-206047607/>, visited Oct. 18, 2021, Hands Free, Forearm Operated Door Opener, pp. 1-3. <https://www.nyhandle.com/>, visited Apr. 13, 2021, ArmHandle, pp. 1-7. <https://www.amazon.com/Hands-Free-Sanitary-Door-Opener-SDO-1/dp/B009R053UW>, visited Oct. 18, 2021, Clean Hands Hands Free Door Opener—Set of 2 with Accessories, p. 1. <https://handsfreeconcepts.com/>, visited Oct. 18, 2021, Designing forearm opening door handles to support the NHS, pp. 1-2. <https://designreality.co.uk/work/door-handle-nhs/>, visited Oct. 18, 2021, Sani-Handle, pp. 1-2. Architectural Door Accessories—Rockwood Hands-Free Door Pulls, Assa Abloy Opening Solutions, Apr. 2020, pp. 1-4. Hands Free Handle, Fortum, 2021, pp. 1-8. Forearm Shield For Levers and Door Pulls, FSB, 2020, pp. 1-4. [https://www.youtube.com/watch?v=sLQzf-zV\\_Zo](https://www.youtube.com/watch?v=sLQzf-zV_Zo), visited Apr. 13, 2021, Hands Free Commercial Door Pull, Group Imaging Channel, Apr. 20, 2020, p. 1. Hands Free Door Pull, Functional Form LLC, 2013, pp. 1-2. Hands-Free Pulls catalog, PBA USA Inc., Feb. 2021, pp. 1-41. <https://www.materialise.com/en/hands-free-door-opener>, visited Apr. 13, 2021, Hands Free Door Opener to Prevent the Spread of Coronavirus, Materialise, pp. 1-10. <https://www.handsfree-dooropeners.com/en/handsfree-dooropener-novas.html>, visited Oct. 18, 2021, Handsfree door opener, Novas, pp. 1-2. <https://www.pullclean.com/>, visited Apr. 13, 2021, OpenClean Technologies, pp. 1-6. <http://mdbuildingproducts.com/product/m-d-hands-free-arm-operated-door-pull/>, visited Apr. 13, 2021, M-D Arm-Operated Door Pull, M-D Building Products, Inc., 2016, pp. 1-6. <http://mdbuildingproducts.com/product/m-d-foot-operated-hands-free-door-pull/>, visited Apr. 13, 2021, M-D Foot-Operated Door Pull, M-D Building Products, Inc., 2016, pp. 1-5.

\* cited by examiner

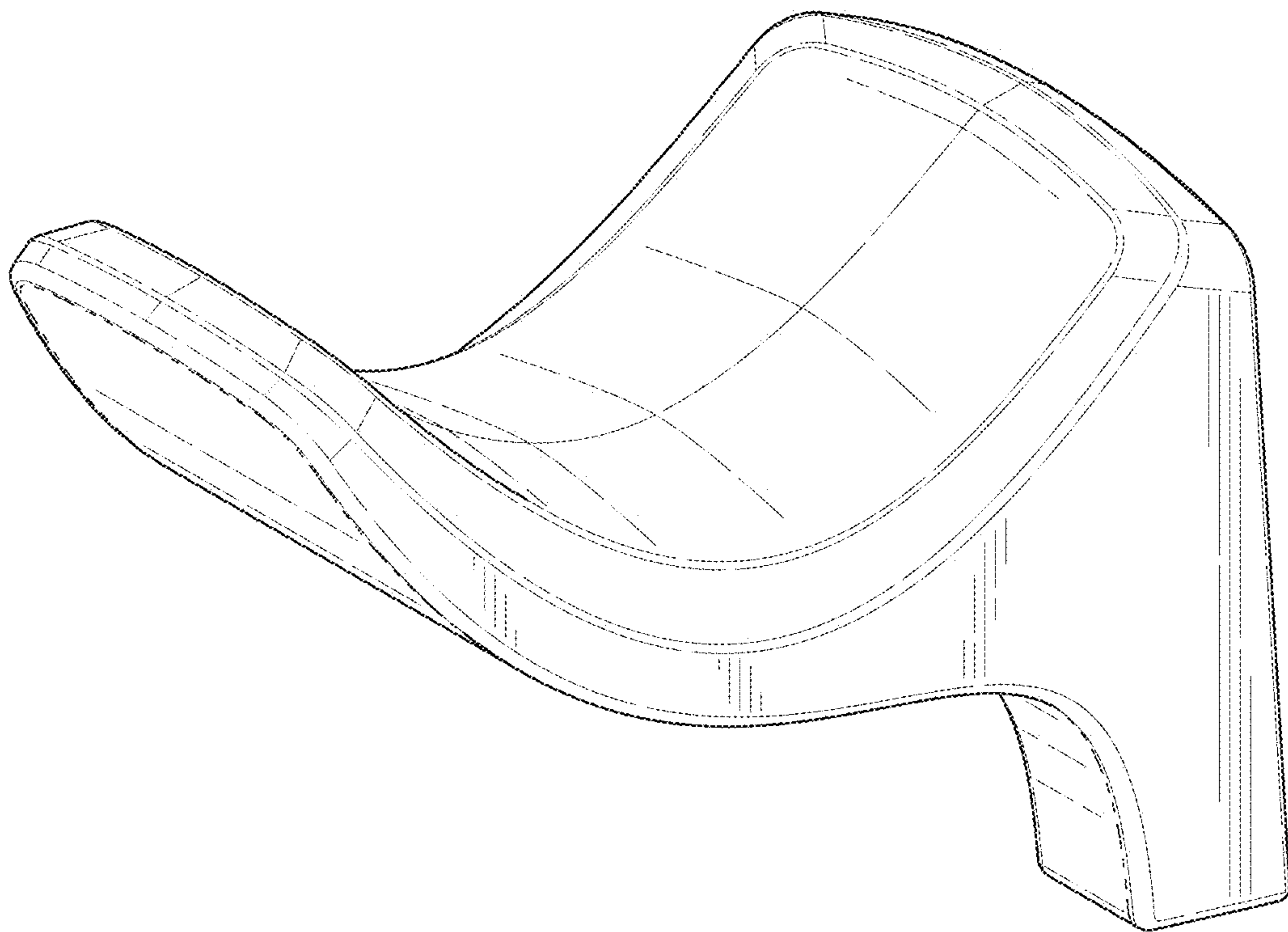


FIG. 1



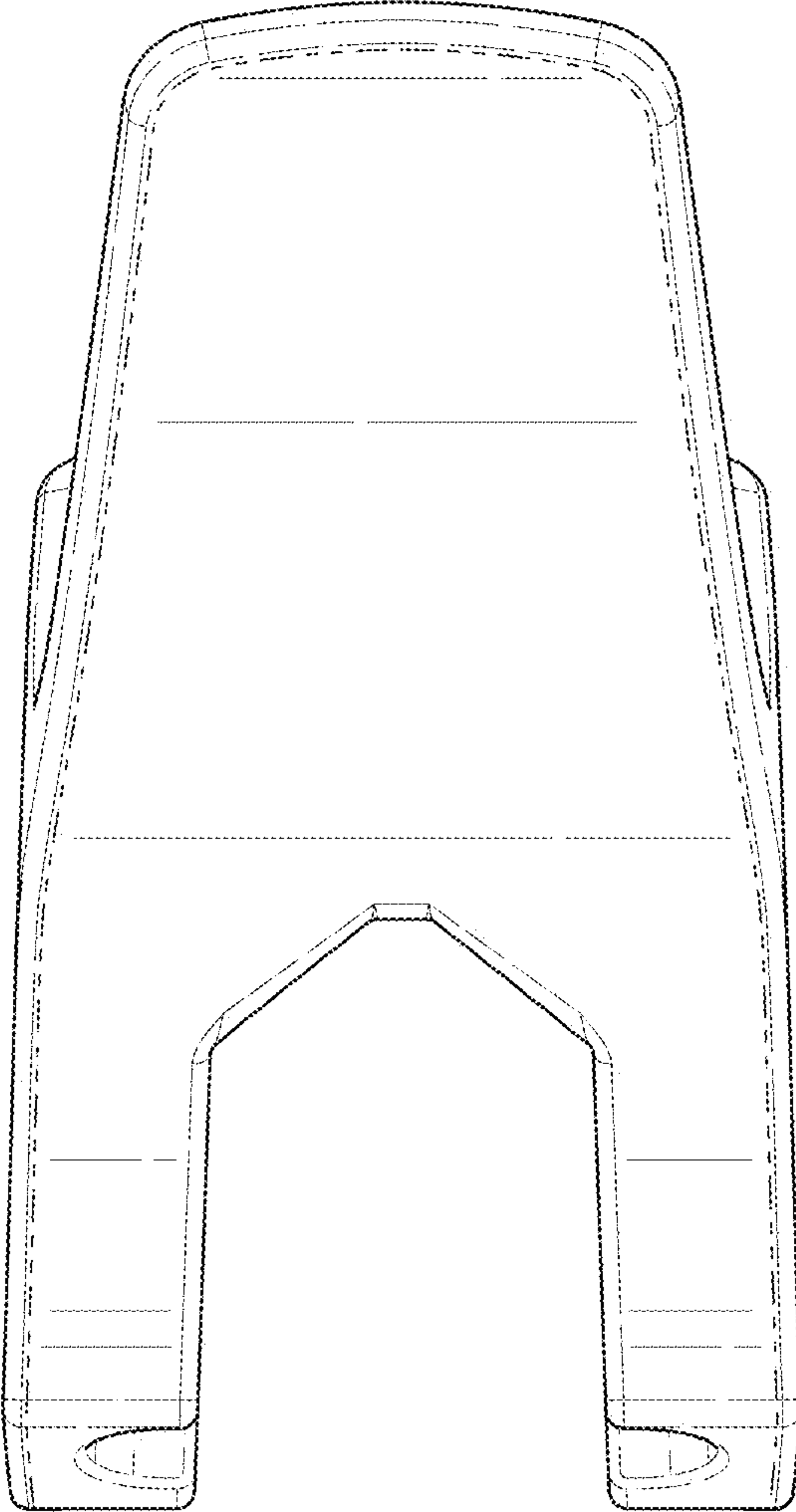


FIG. 2

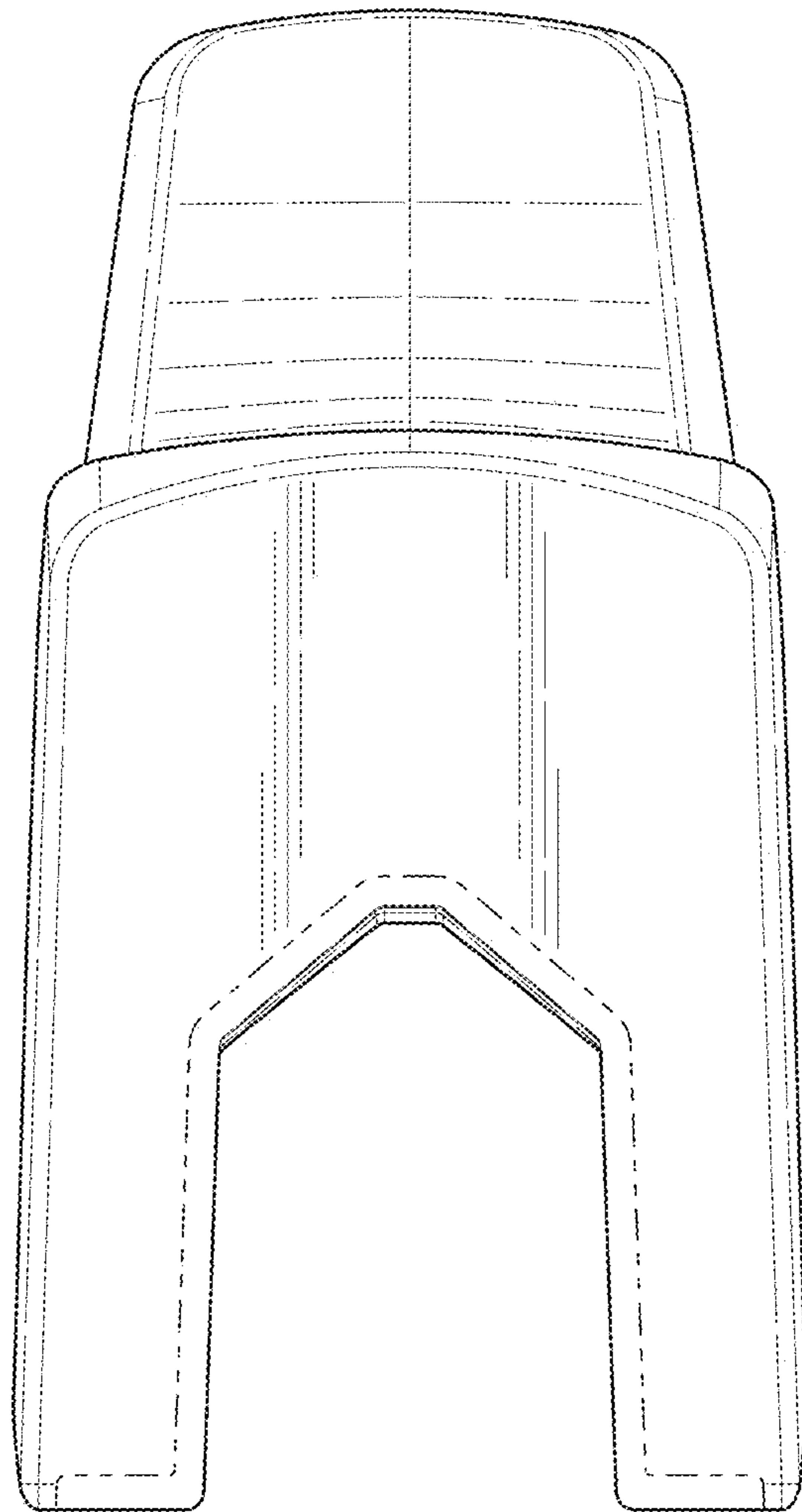


FIG. 3

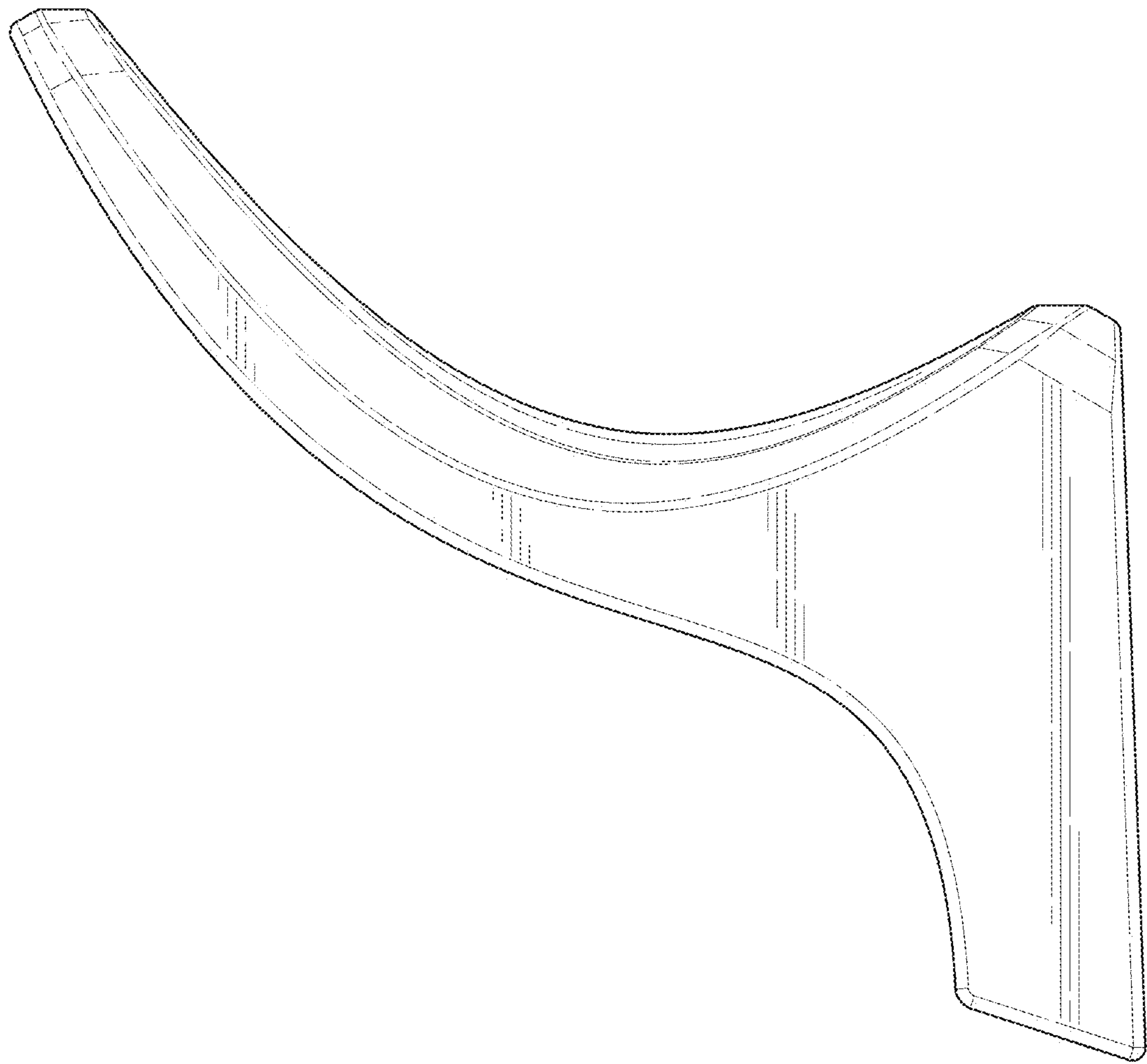


FIG. 4

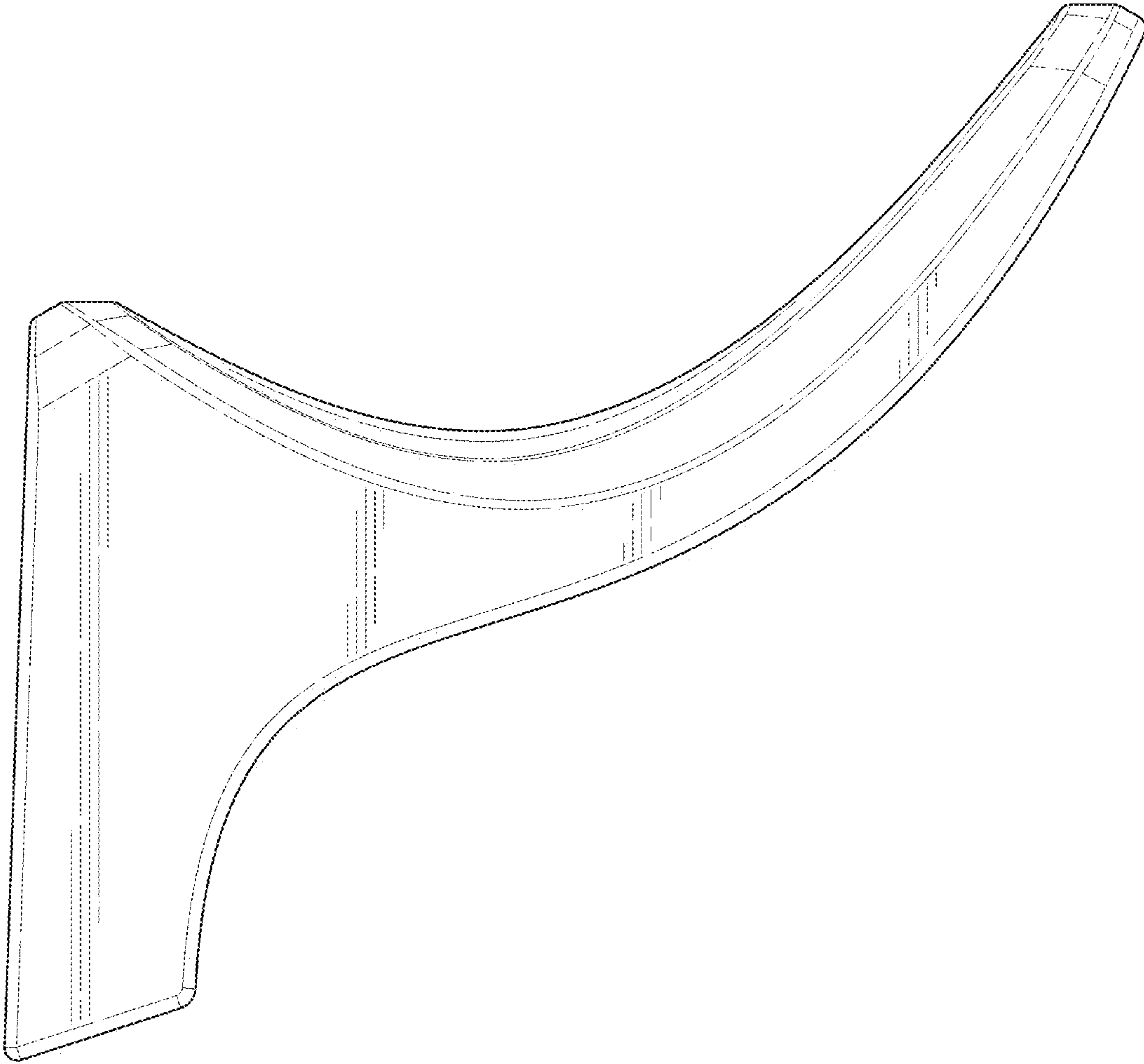


FIG. 5

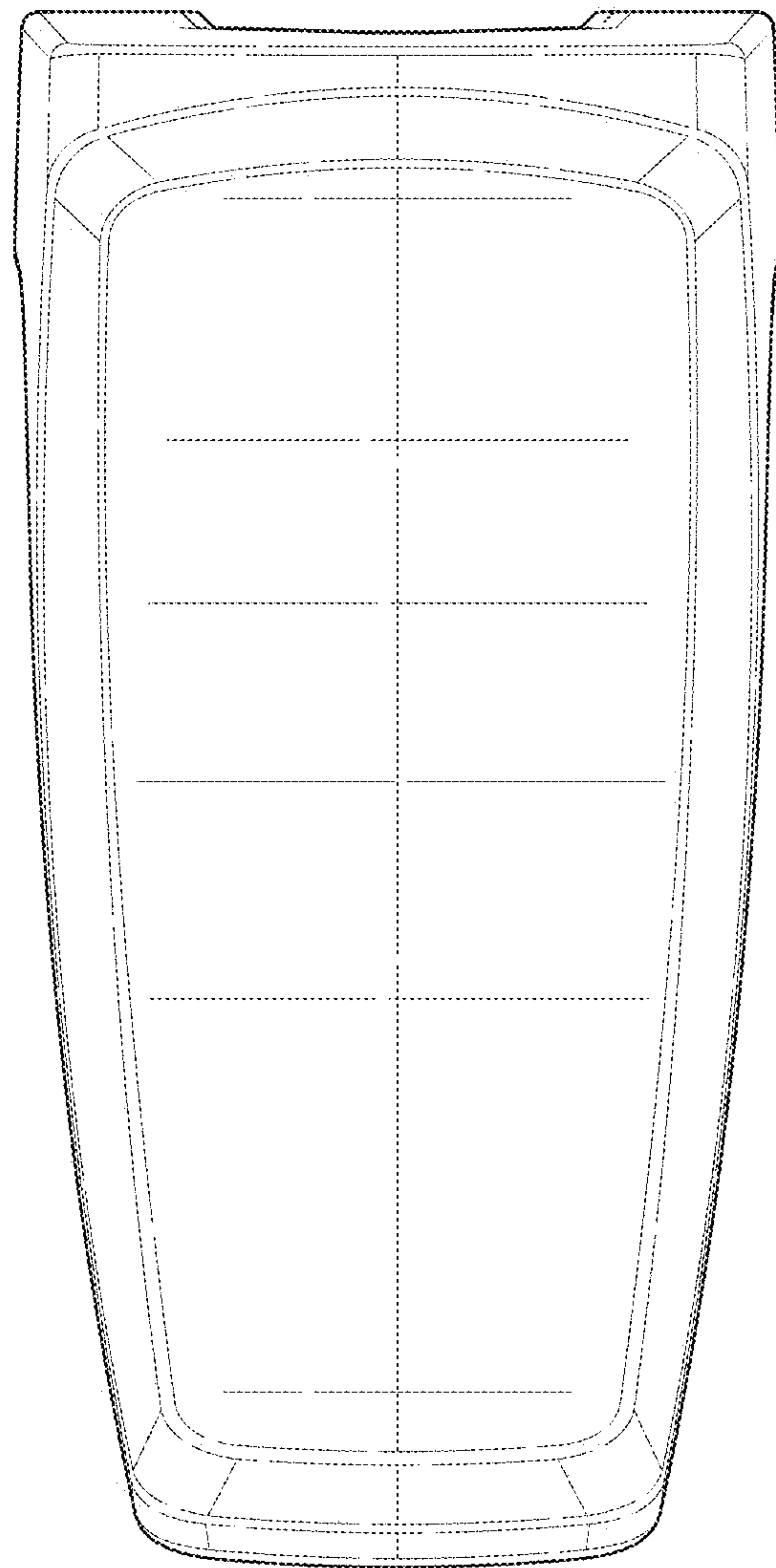


FIG. 6



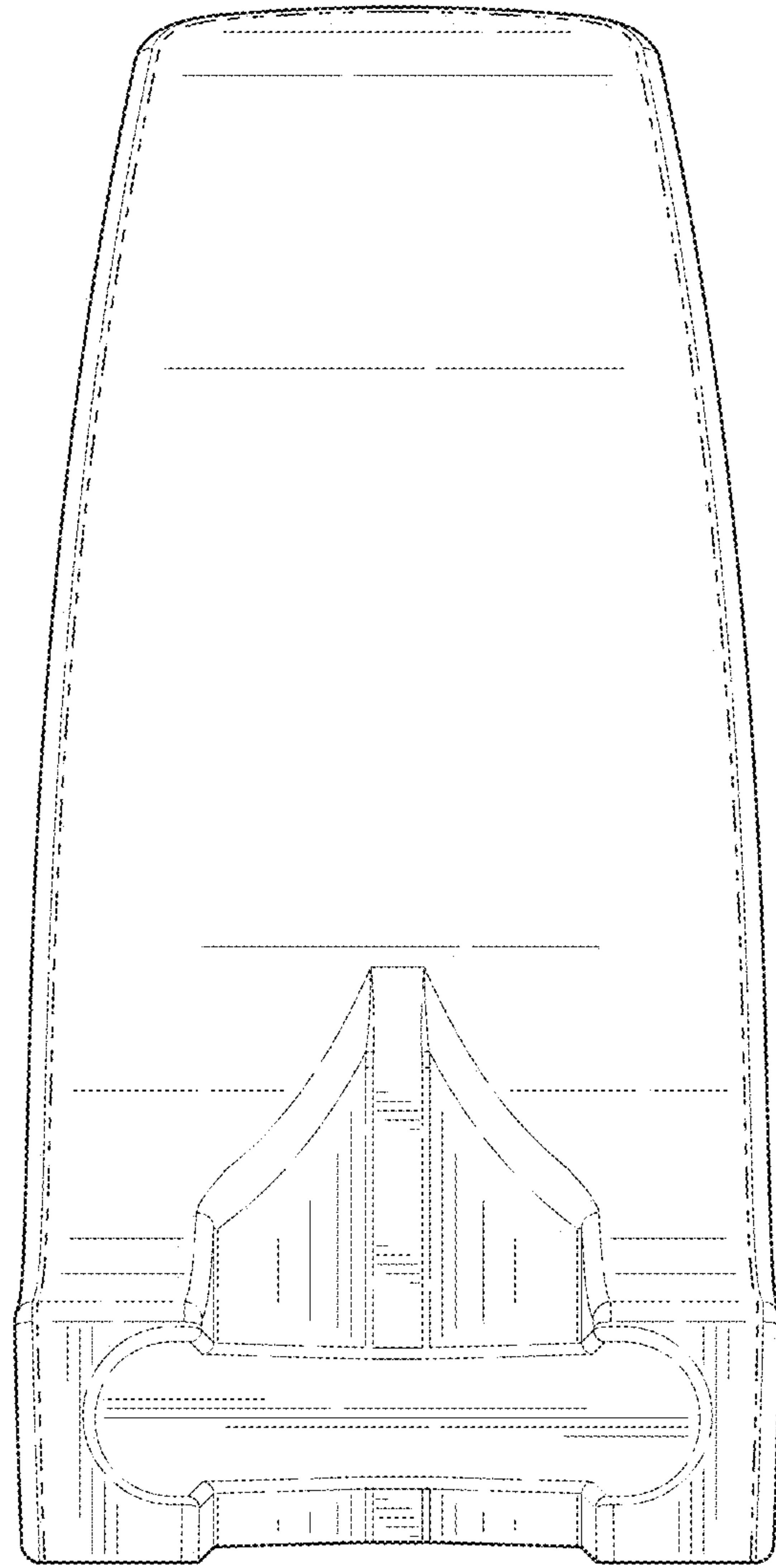


FIG. 7

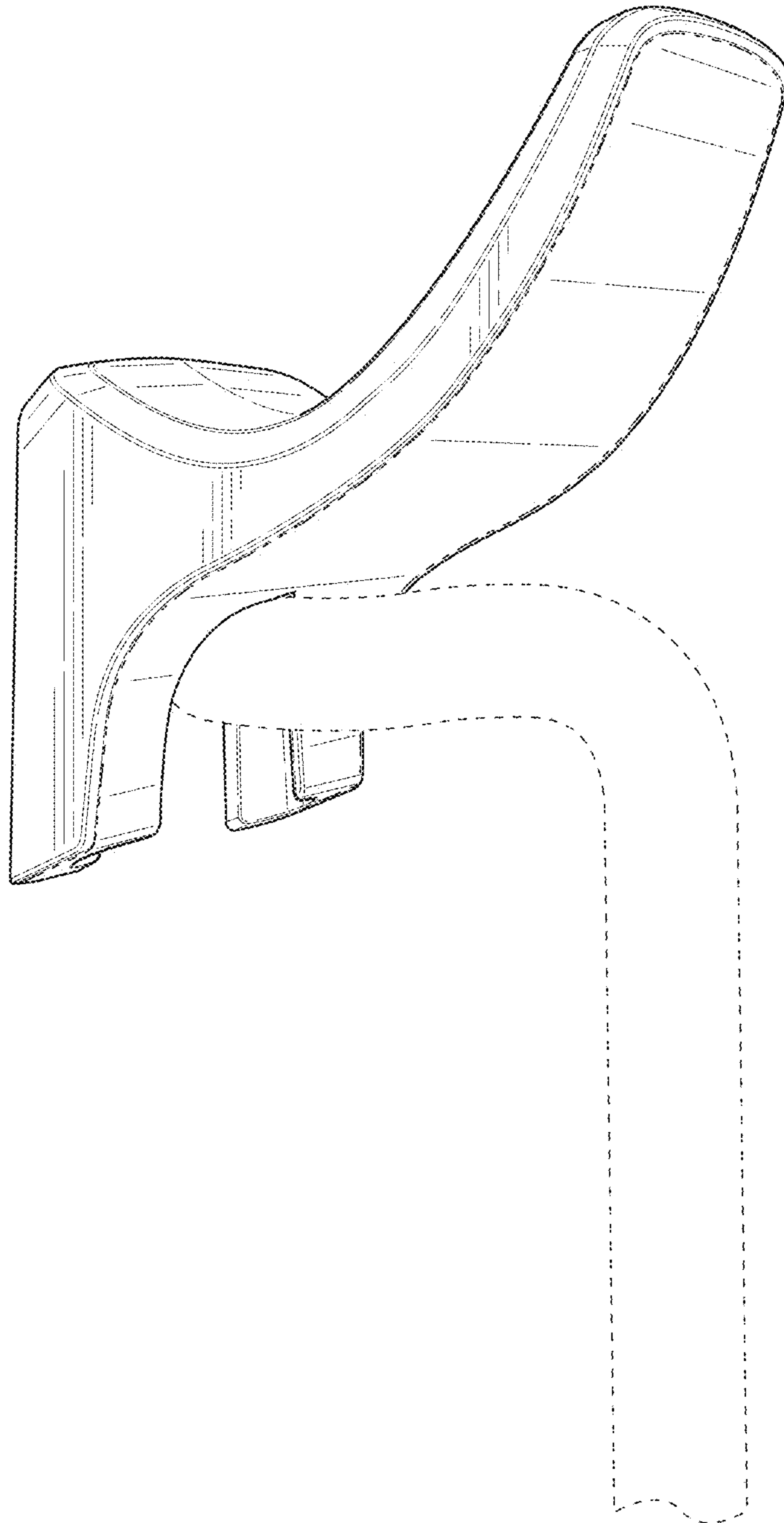


FIG. 8

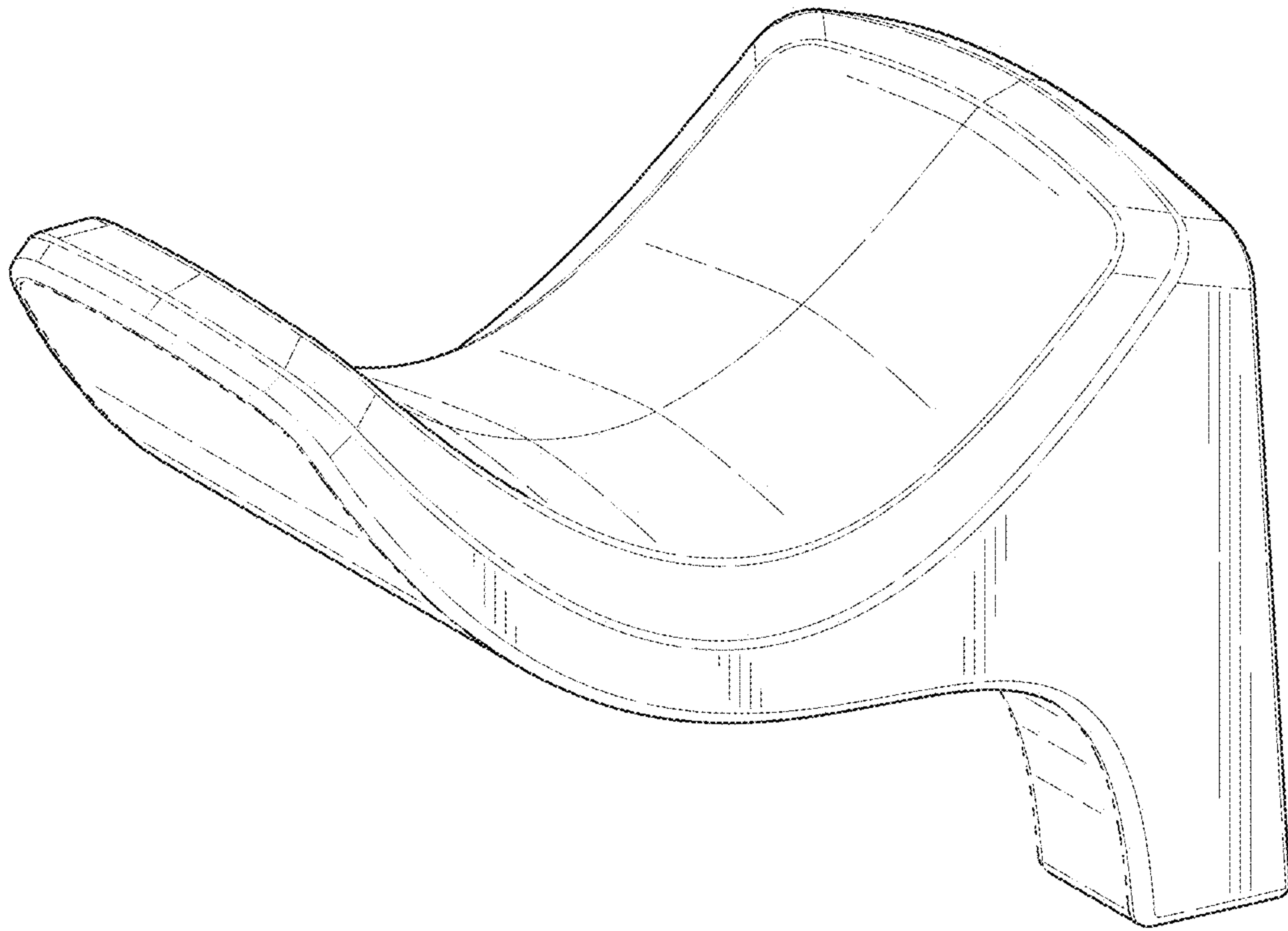


FIG. 9

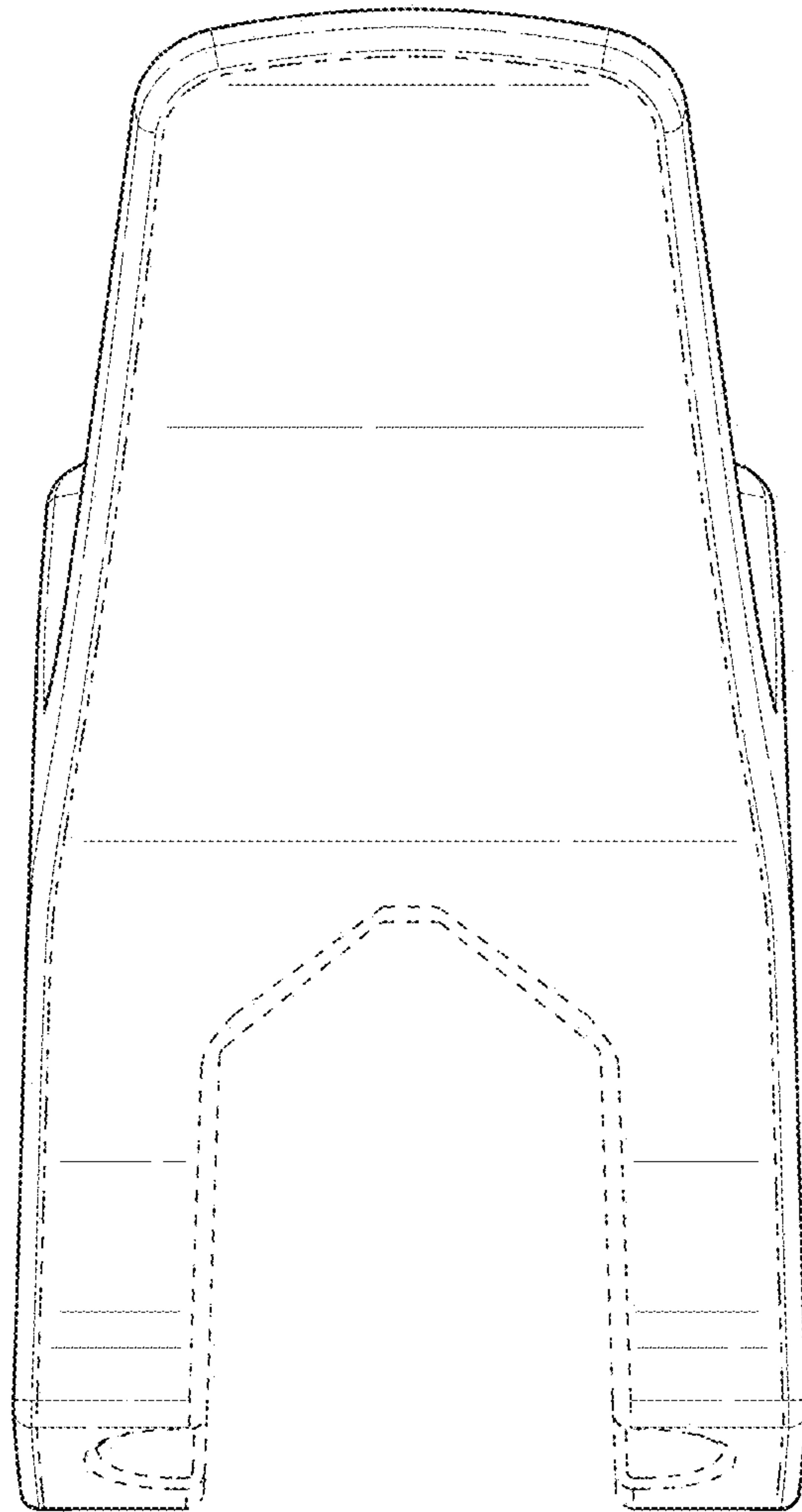


FIG. 10

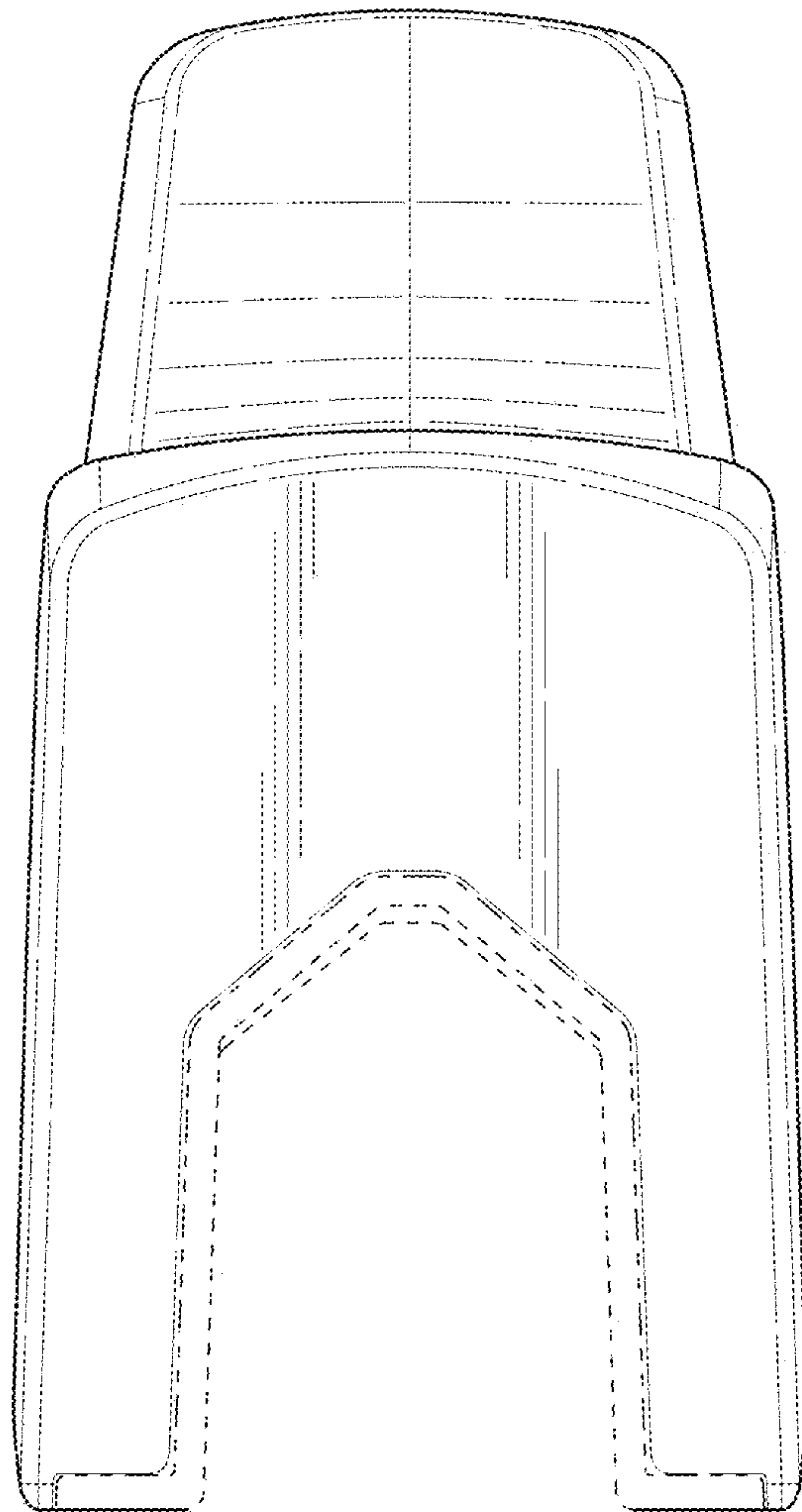


FIG. 11



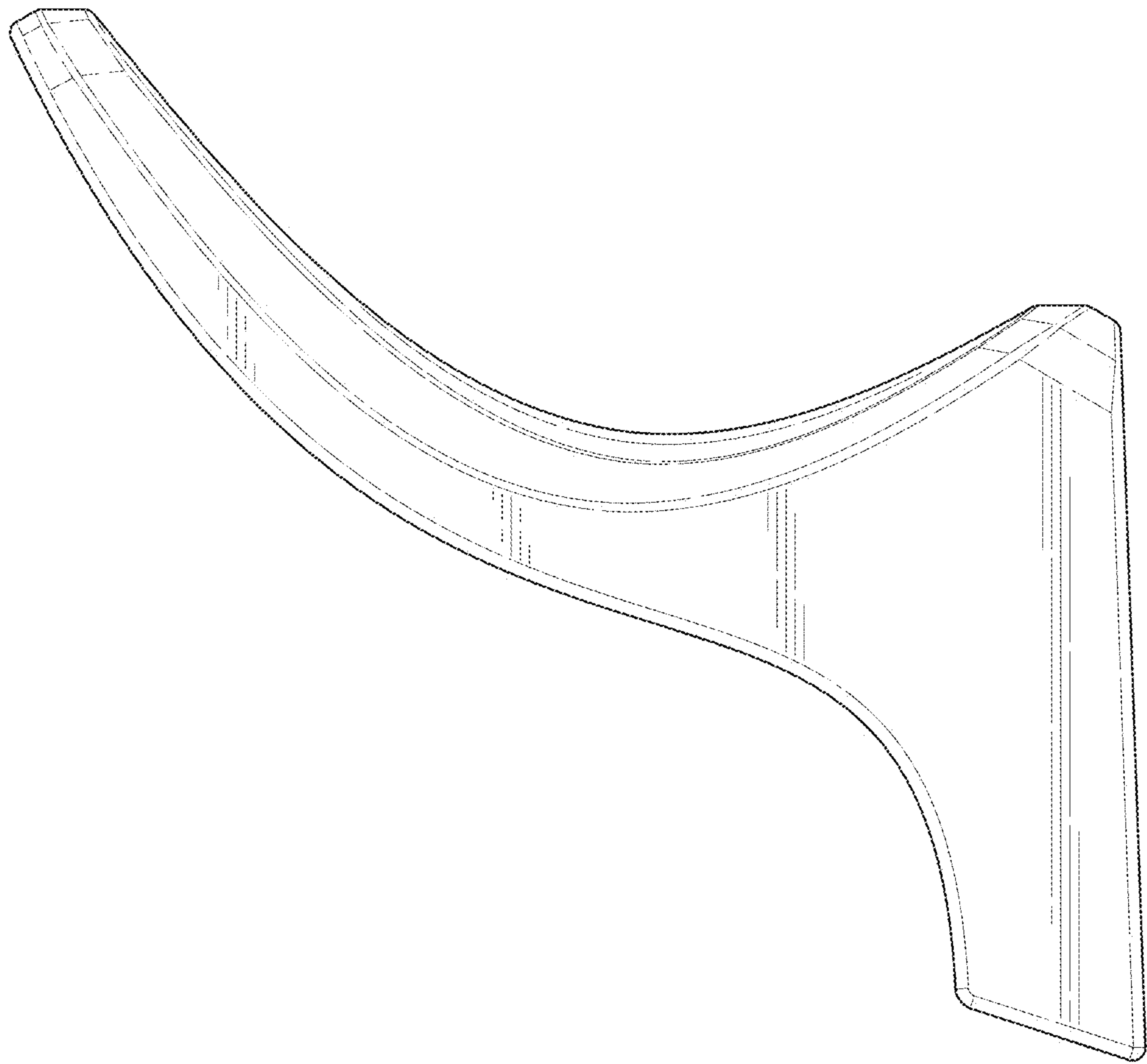


FIG. 12

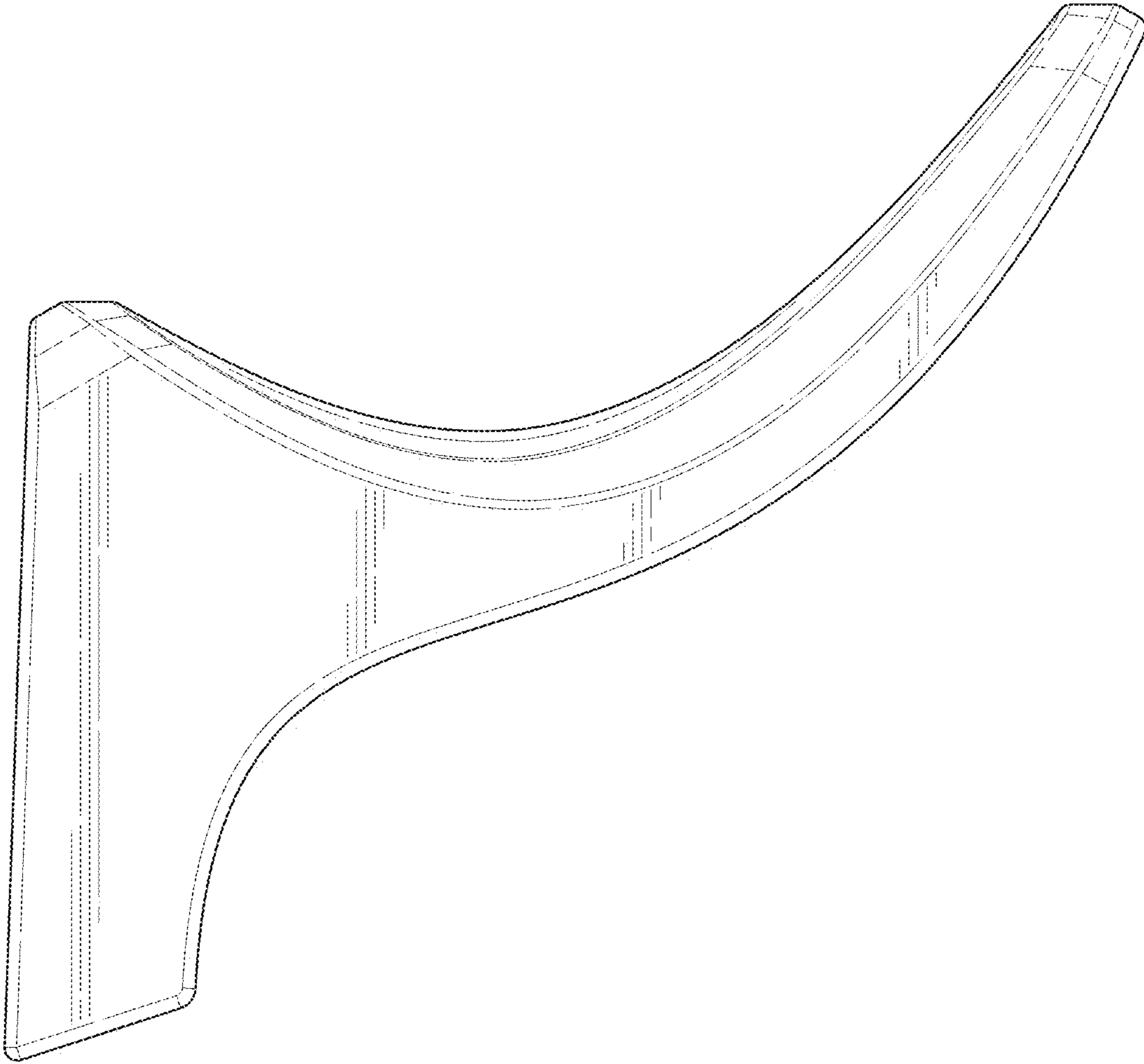


FIG. 13

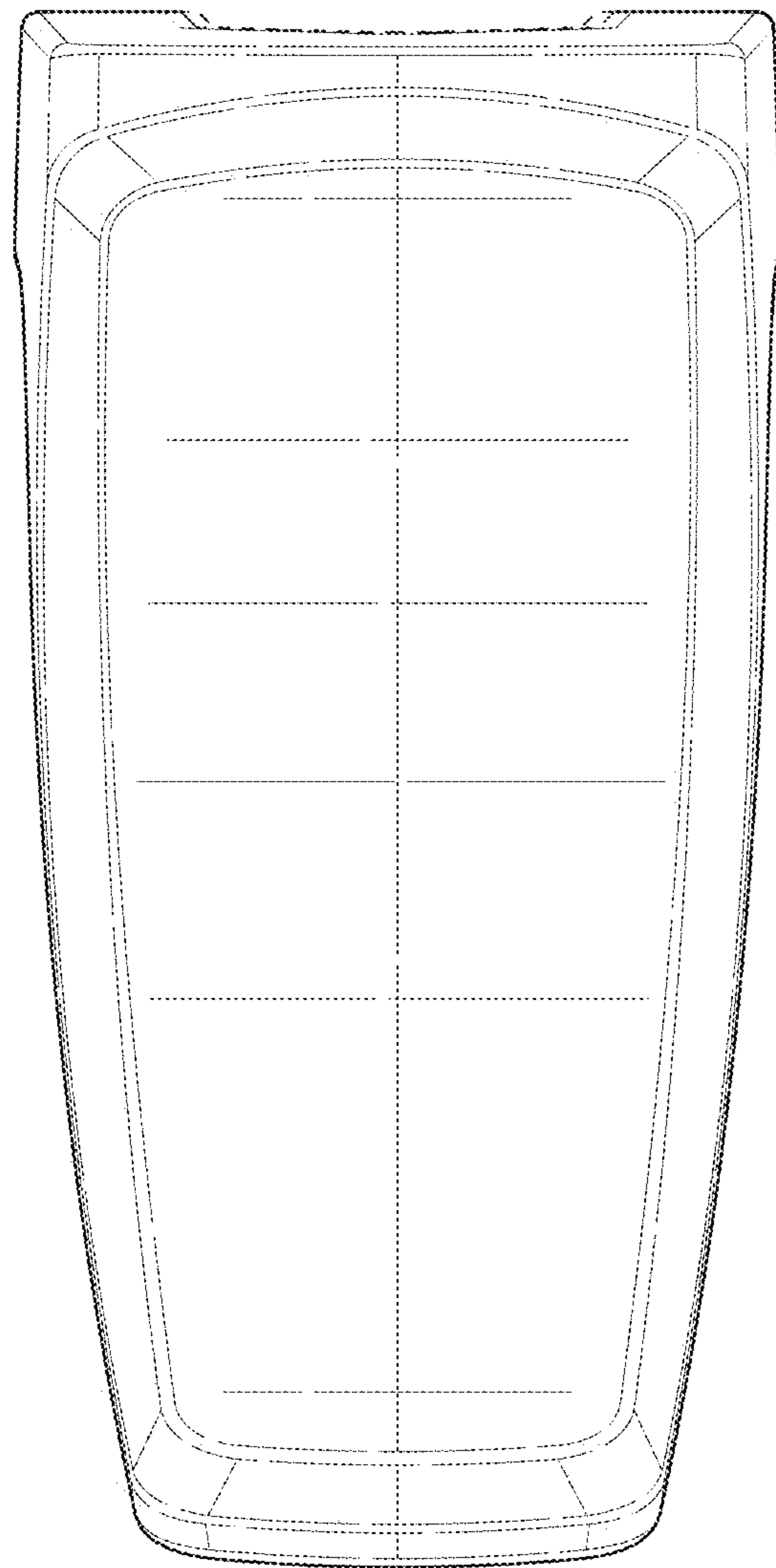


FIG. 14

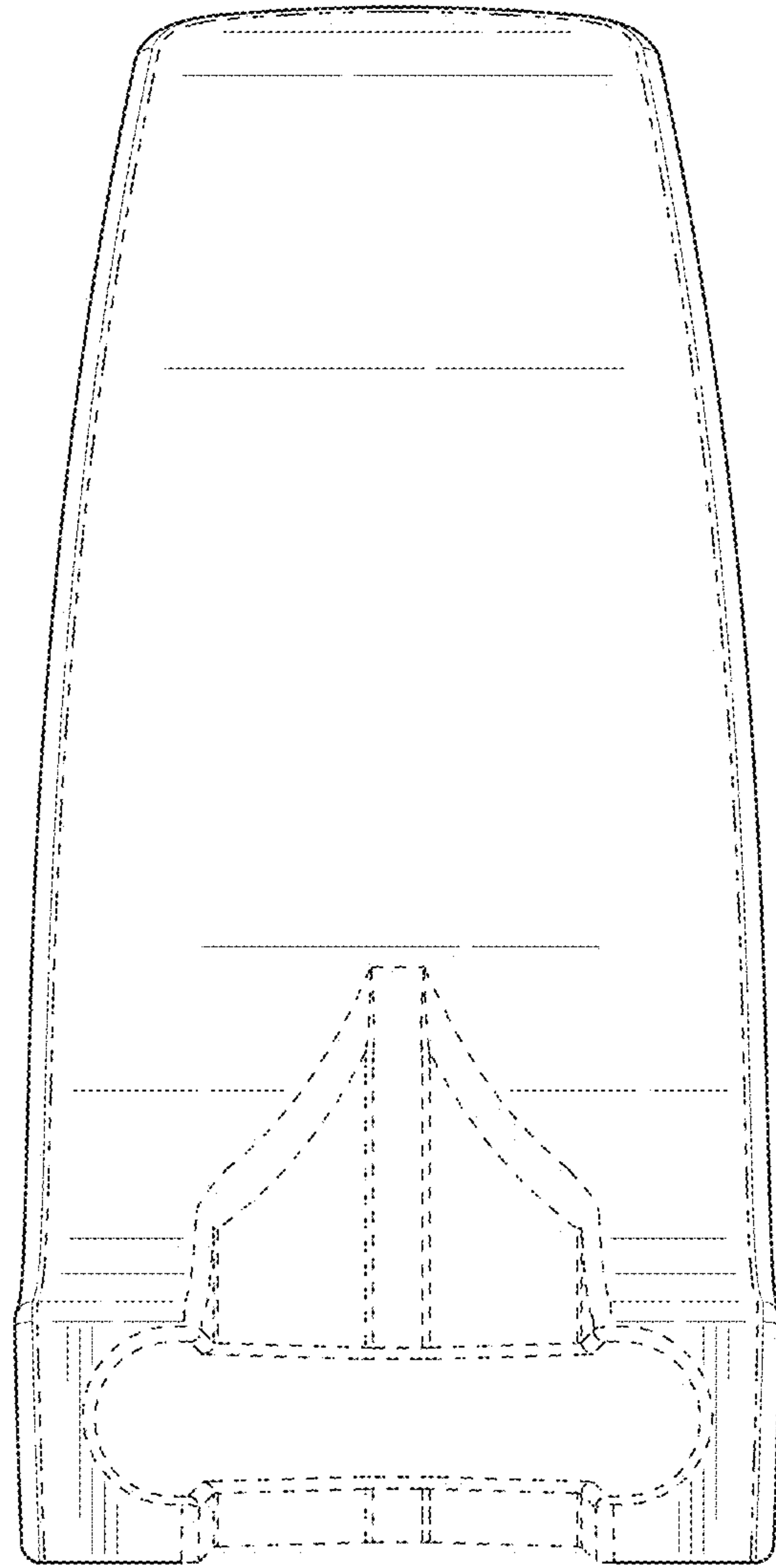


FIG. 15

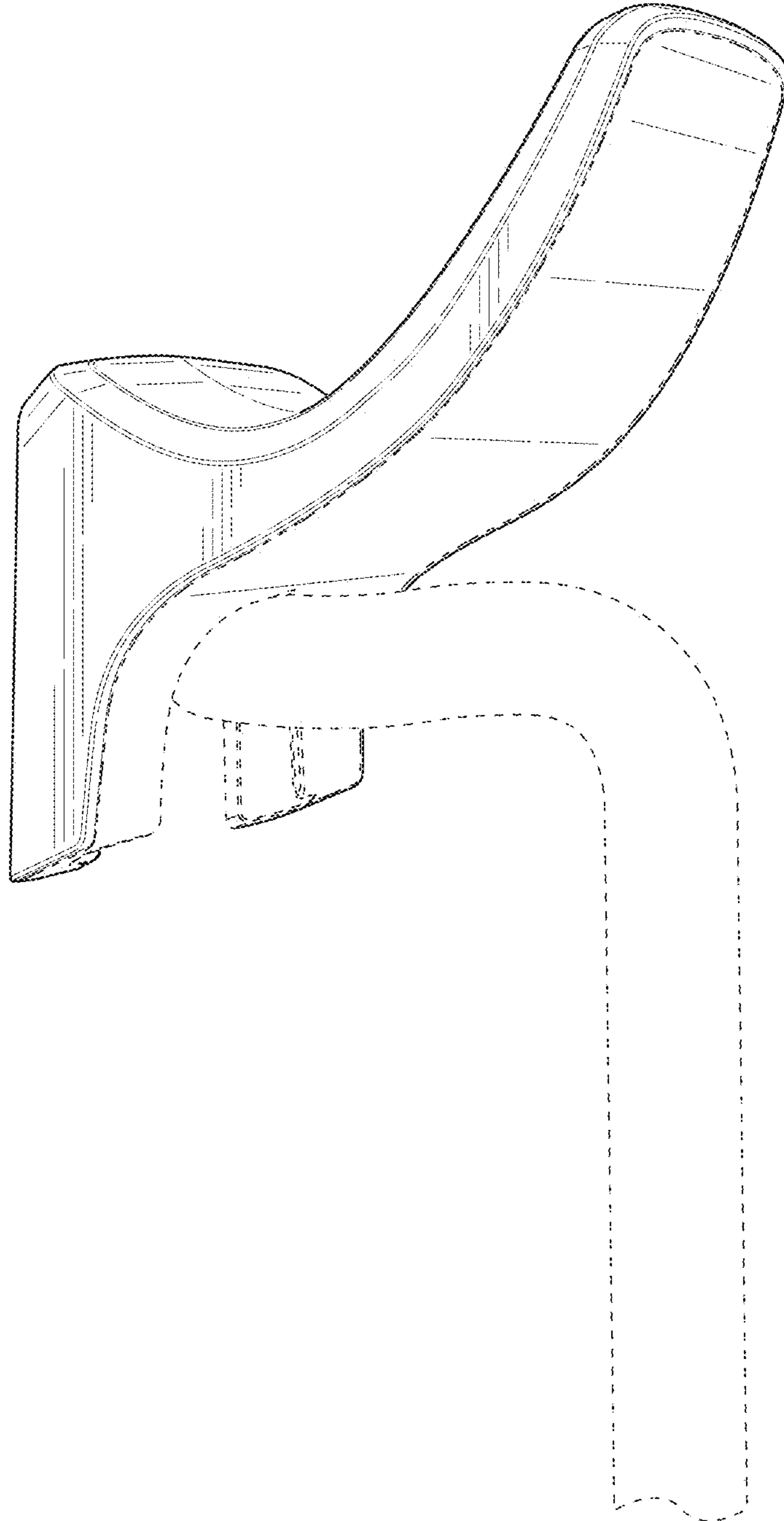


FIG. 16