



US00D961356S

(12) **United States Design Patent** (10) **Patent No.:** **US D961,356 S**
Sharp et al. (45) **Date of Patent:** **** Aug. 23, 2022**

(54) **STORAGE CABINET HANDLE**

(71) Applicant: **Harbor Freight Tools USA, Inc.**,
Calabasas, CA (US)

(72) Inventors: **William Thomas Sharp**, Camarillo,
CA (US); **Michael Matteo**, Los
Angeles, CA (US)

(73) Assignee: **Harbor Freight Tools USA, INC.**,
Calabasas, CA (US)

(**) Term: **15 Years**

(21) Appl. No.: **29/705,339**

(22) Filed: **Sep. 11, 2019**

(51) **LOC (13) Cl.** **08-06**

(52) **U.S. Cl.**
USPC **D8/315**

(58) **Field of Classification Search**
USPC D8/316, 315, 317, 319, 320, 321, 331,
D8/337, 338, 341; D28/41, 42
CPC . Y10T 16/498; Y10T 16/476; Y10T 16/4644;
Y10T 16/513; Y10T 16/509
See application file for complete search history.

(56) **References Cited**

U.S. PATENT DOCUMENTS

D150,343 S	*	7/1948	Felver	D8/DIG. 1
D199,615 S	*	11/1964	Aleks	D8/DIG. 1
D569,704 S	*	5/2008	Ricereto	D8/315
D679,983 S	*	4/2013	Ramsland	D8/316
D843,810 S	*	3/2019	Hall	D8/316
D868,508 S	*	12/2019	Sprang	D6/671
D878,898 S	*	3/2020	Czuhajewski	D8/316
D878,899 S	*	3/2020	Czuhajewski	D8/316

OTHER PUBLICATIONS

Harbor Freight, <https://www.harborfreight.com/tool-storage-organization/icon-tool-storage/56-in-x-25-in-professional-roll-cab->

red-56134.html, 56 In. x 25 In. Professional Roll Cab, Red, Nov. 19, 2019 (Year: 2019).*

* cited by examiner

Primary Examiner — Keli L Hill

Assistant Examiner — Harold E Blackwell, II

(74) *Attorney, Agent, or Firm* — McAndrews Held & Malloy, Ltd.

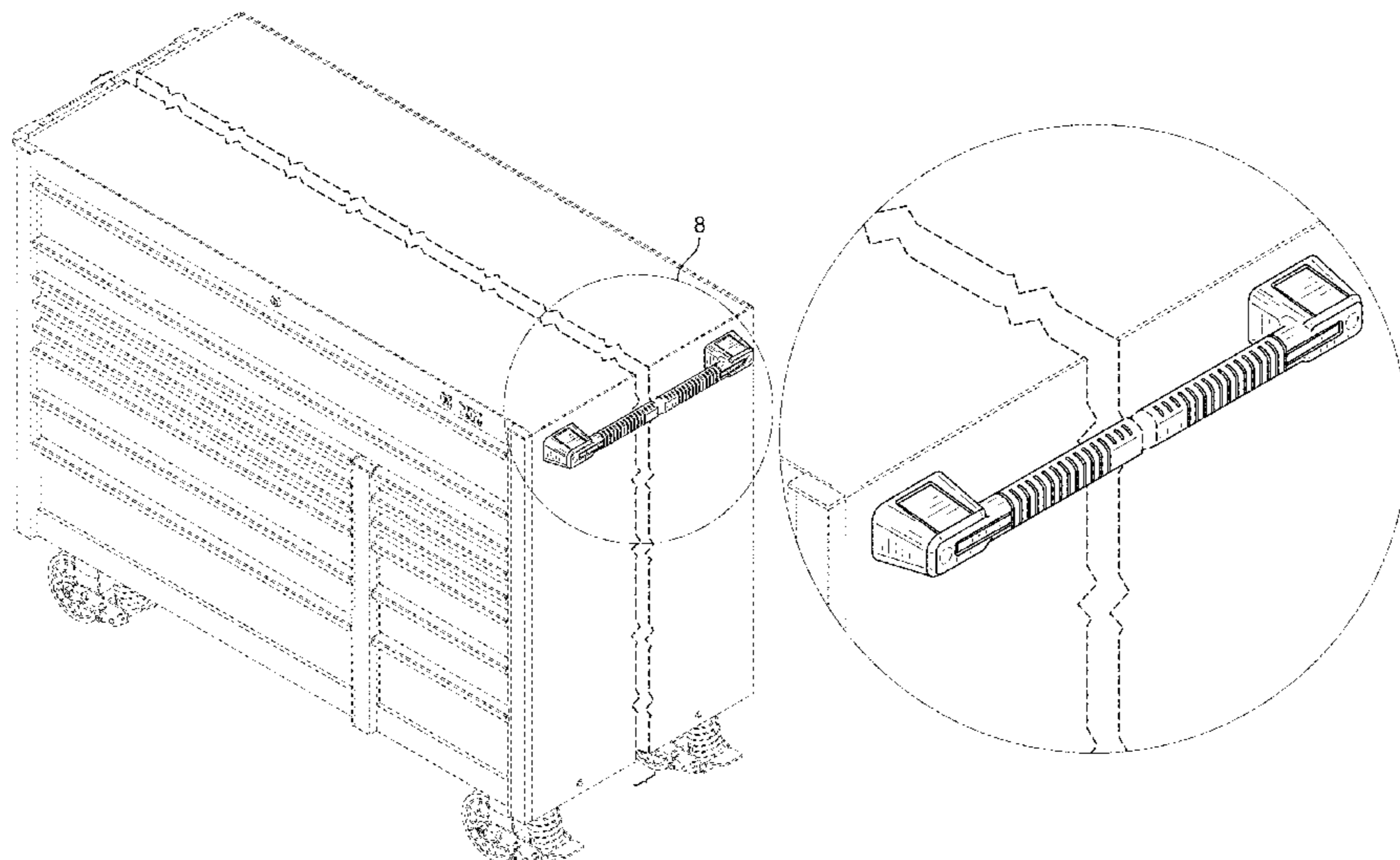
(57) **CLAIM**

The ornamental design for a storage cabinet handle, as shown and described.

DESCRIPTION

FIG. 1 is a top-front perspective view of a storage cabinet handle showing our new design; FIG. 2 is a front elevation view thereof; FIG. 3 is a rear elevation thereof; FIG. 4 is a right side elevation view thereof; FIG. 5 is a left side elevation view thereof; FIG. 6 is a top plan view thereof; FIG. 7 is a bottom plan view thereof; FIG. 8 is an enlarged view of the portion 8 encircled in FIG. 1; FIG. 9 is an enlarged view of the portion 9 encircled in FIG. 2; FIG. 10 is an enlarged view of the portion 10 encircled in FIG. 4; and, FIG. 11 is an enlarged view of the portion 11 encircled in FIG. 6. The dashed broken lines in the figures illustrate portions of the storage cabinet handle that form no part of the claimed design. The storage cabinet handle is shown with a symbolic break in its length. The appearance of any portion of the storage cabinet handle between the jagged break lines forms no part of the claimed design. The dot-dash broken lines in the drawings encircle portions of the claimed design that are illustrated in enlargements and form no part of the claimed design.

1 Claim, 9 Drawing Sheets



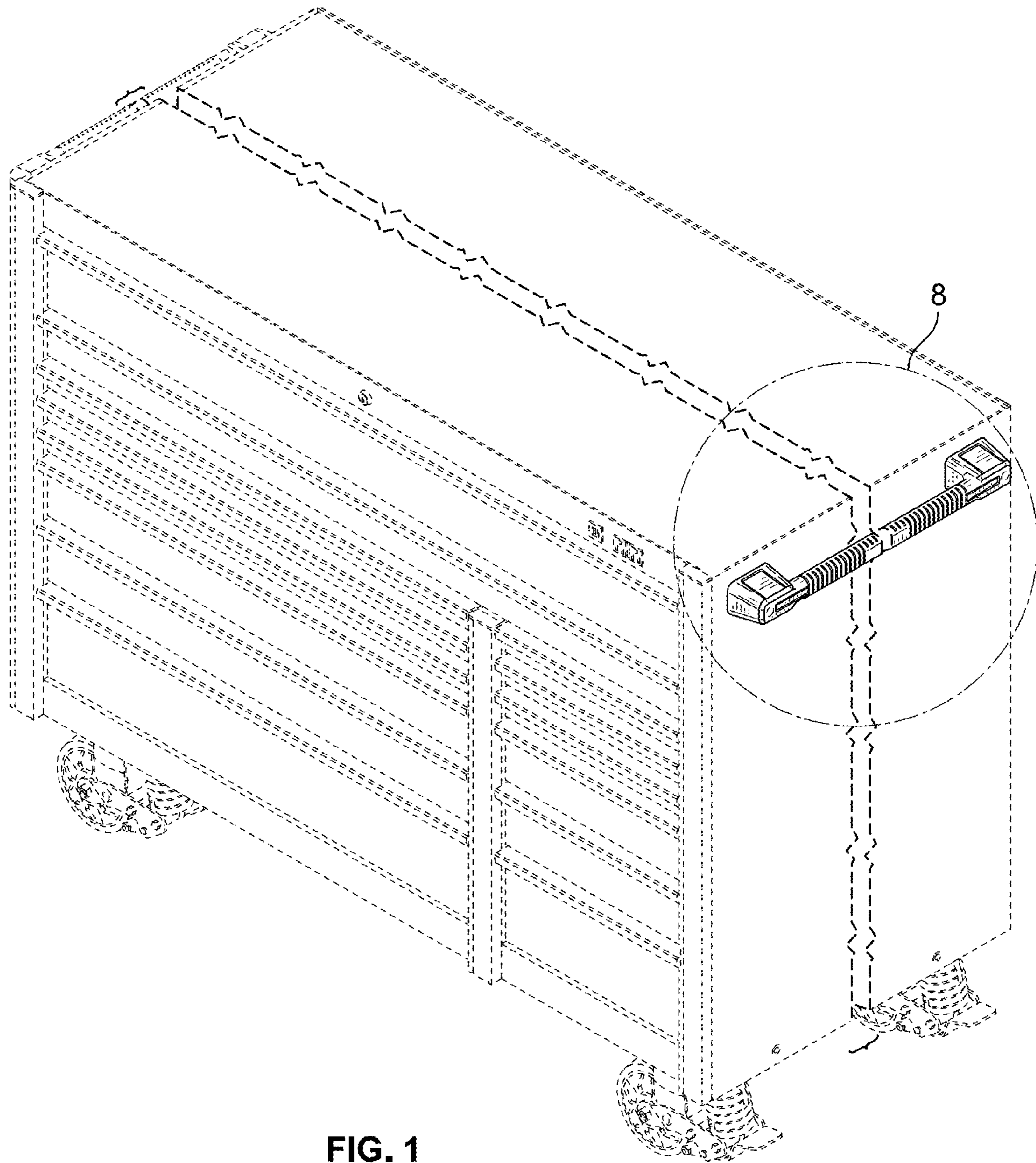


FIG. 1

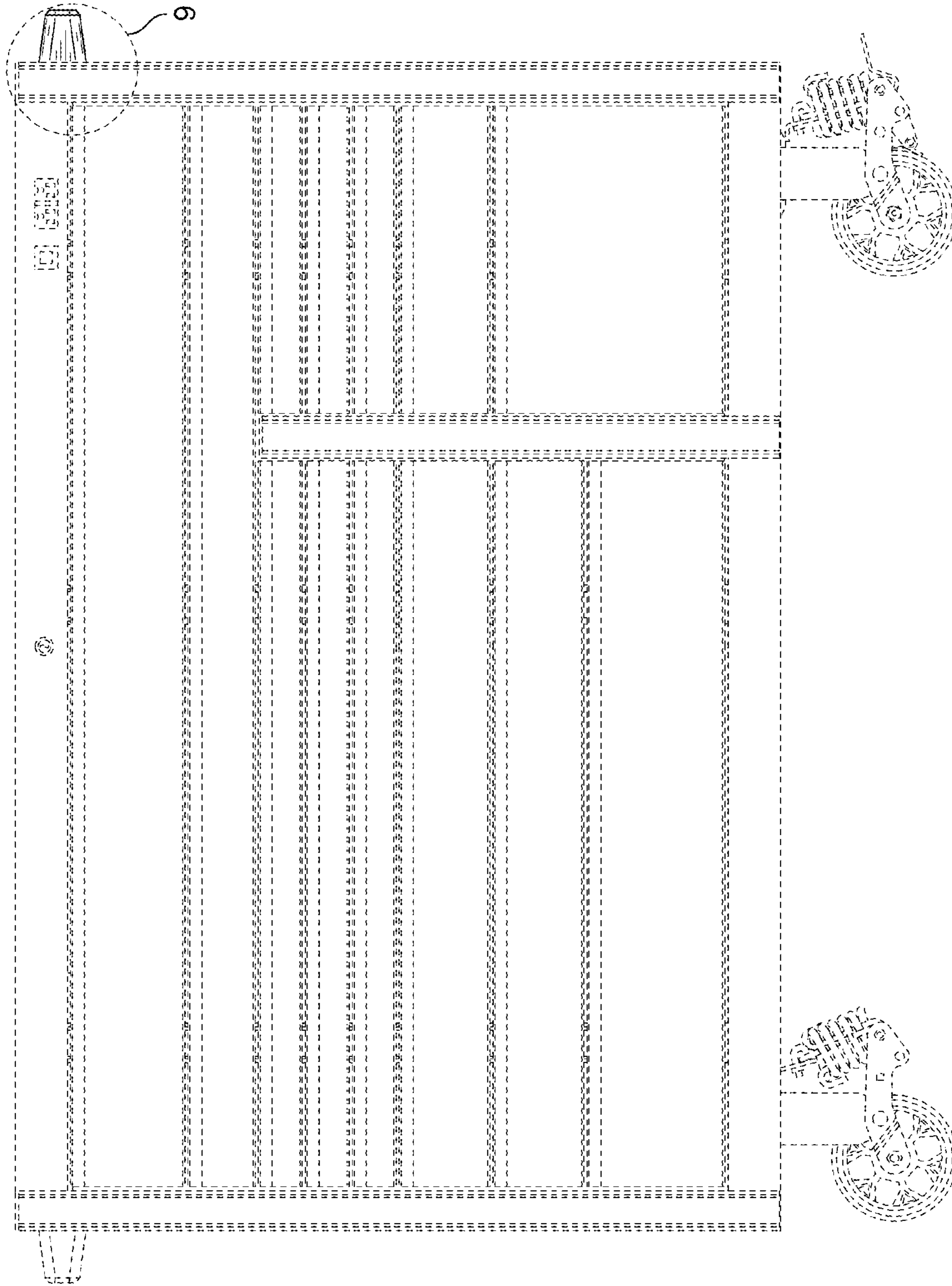


FIG. 2

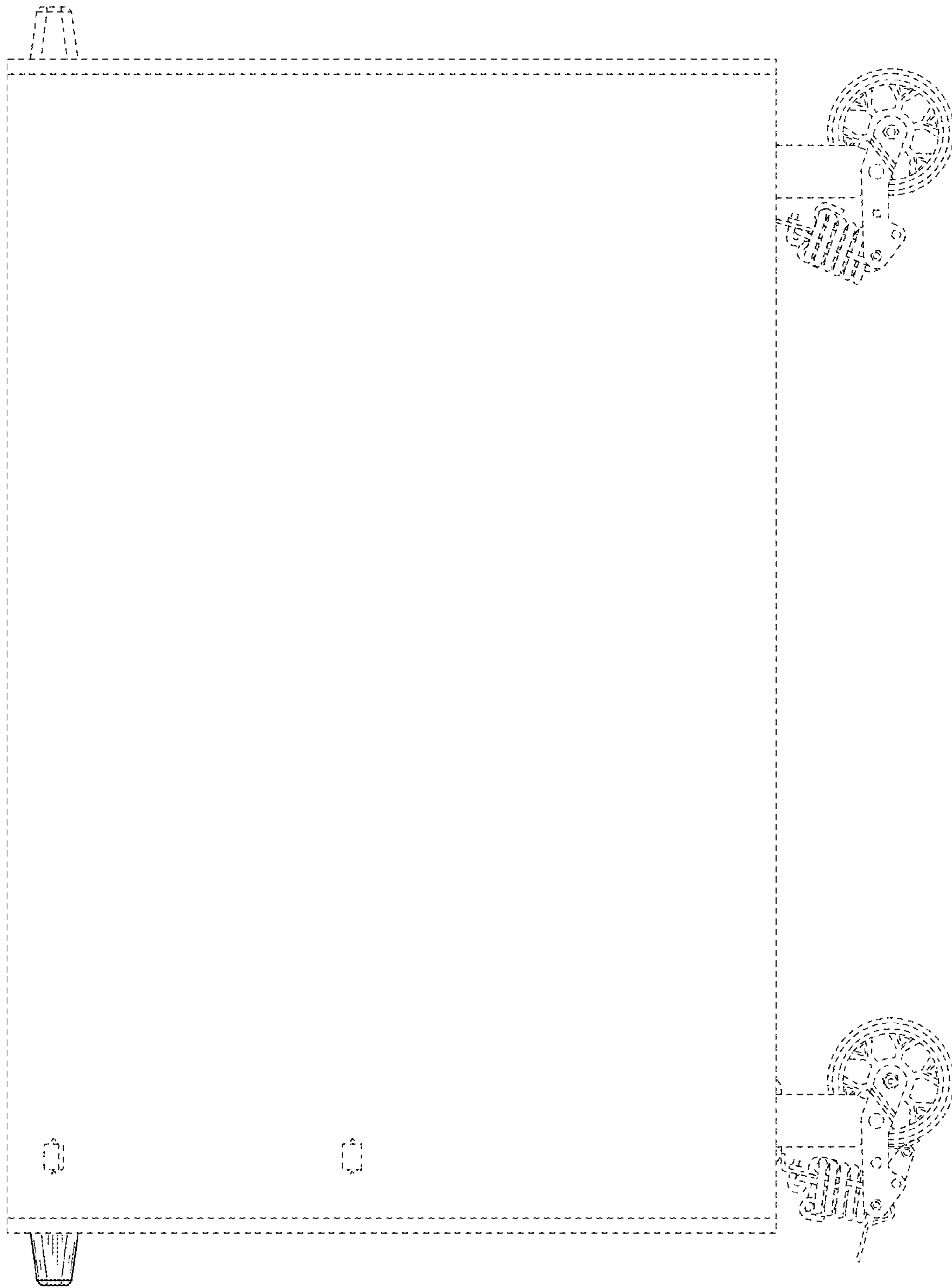


FIG. 3

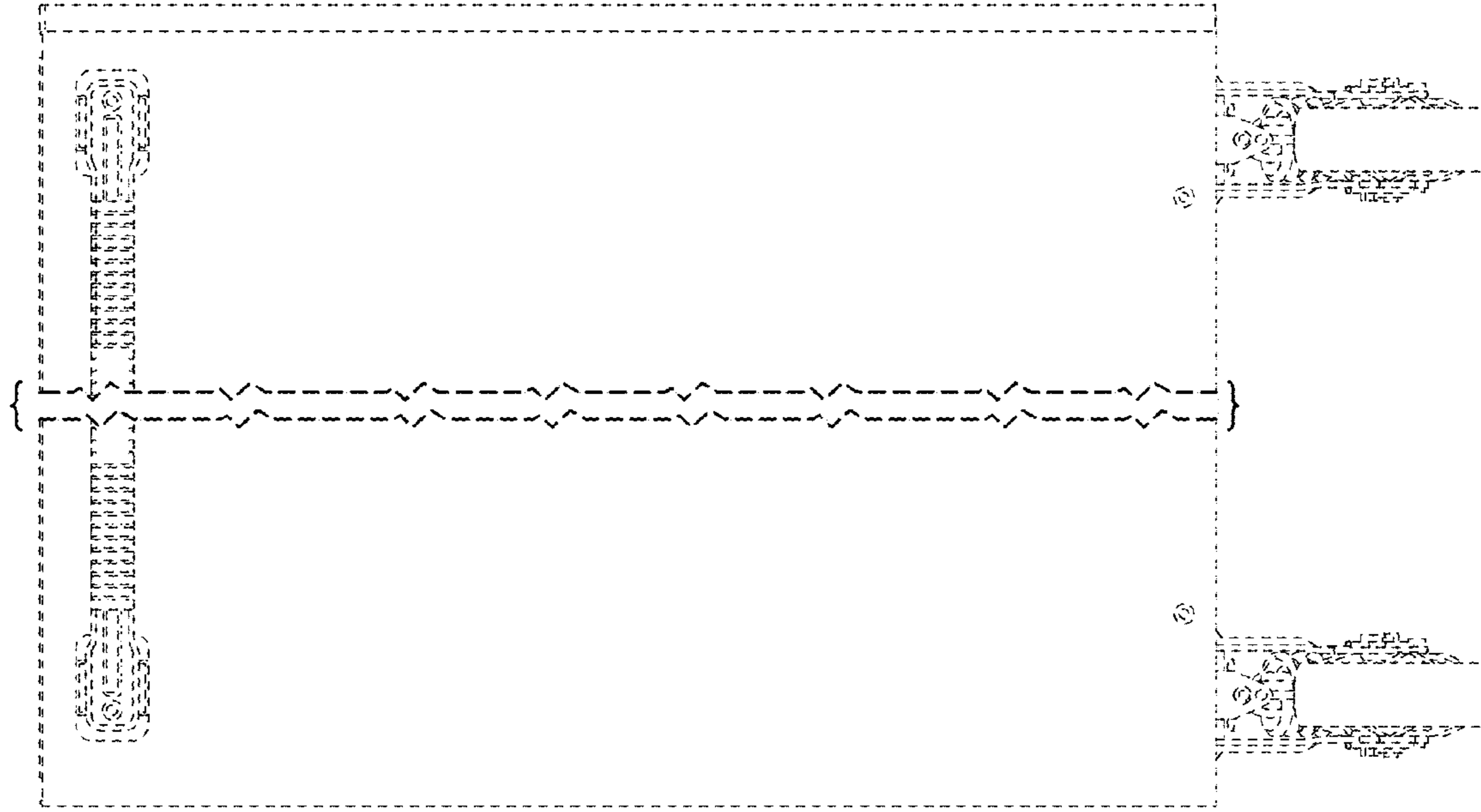


FIG. 5

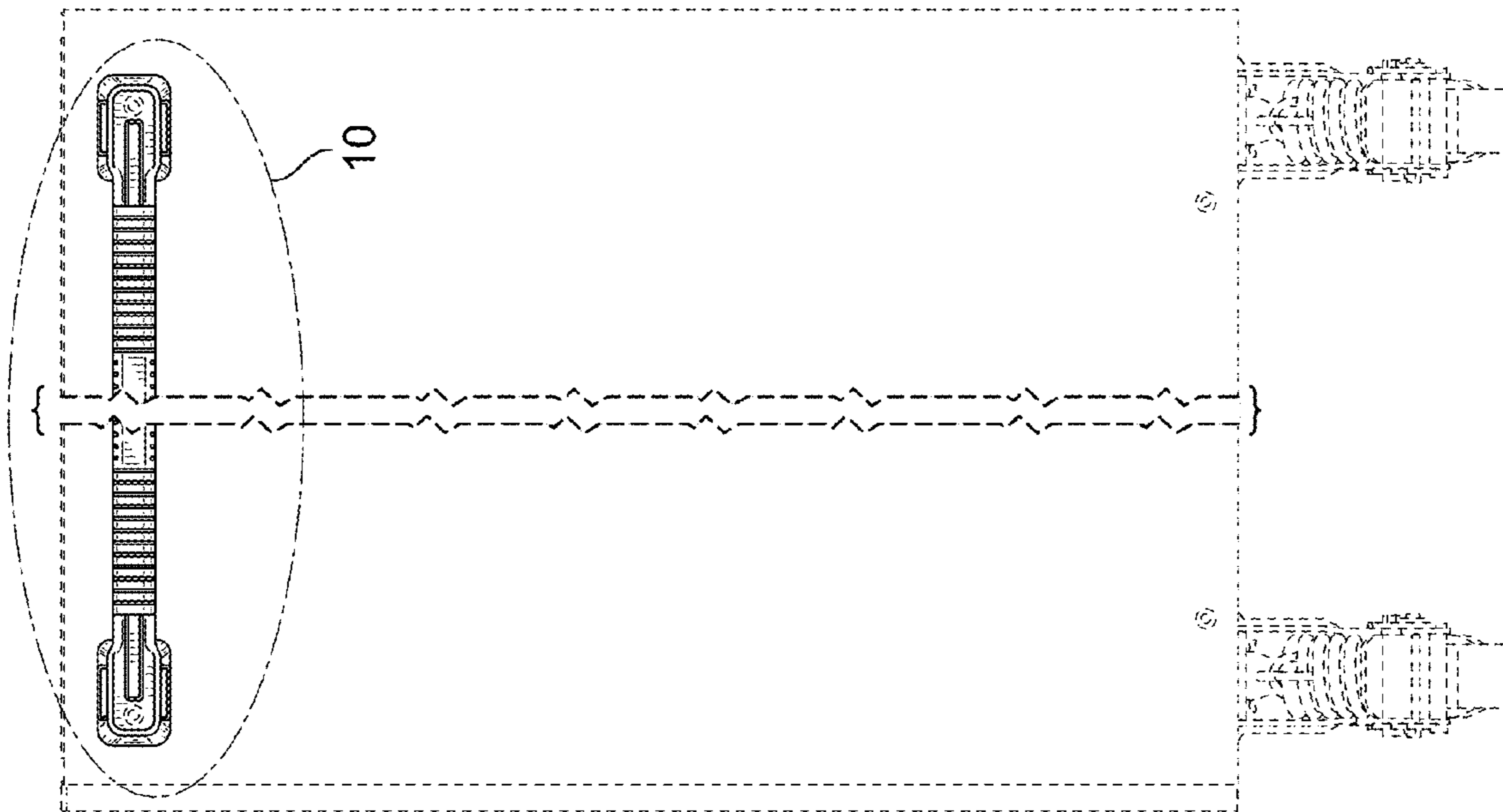


FIG. 4

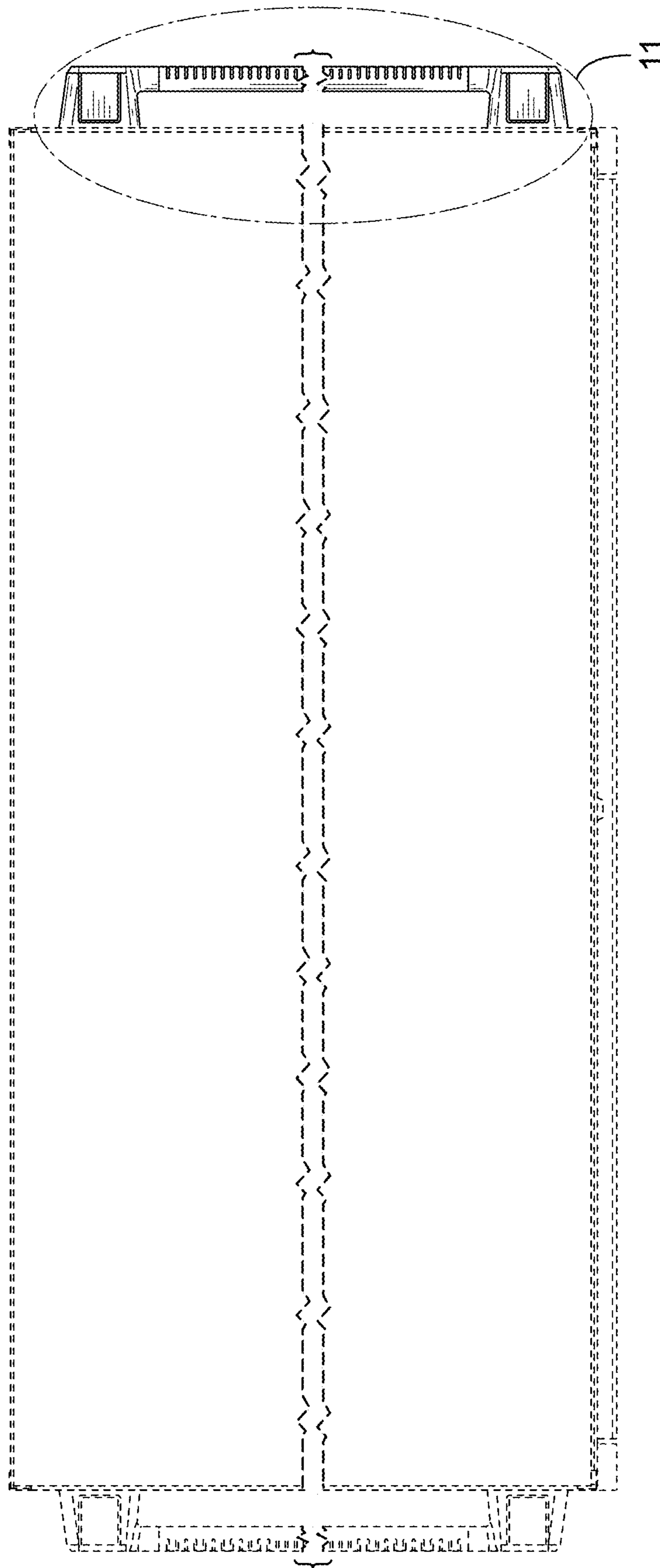


FIG. 6

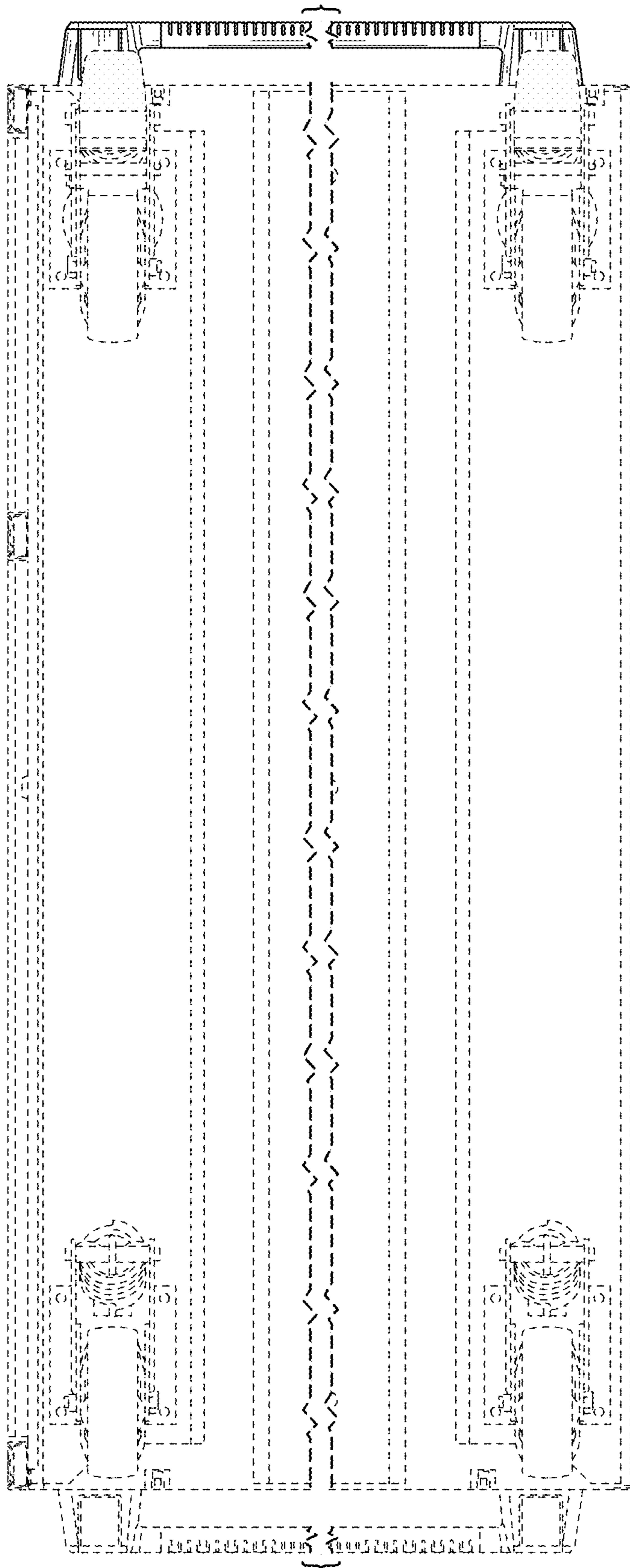


FIG. 7

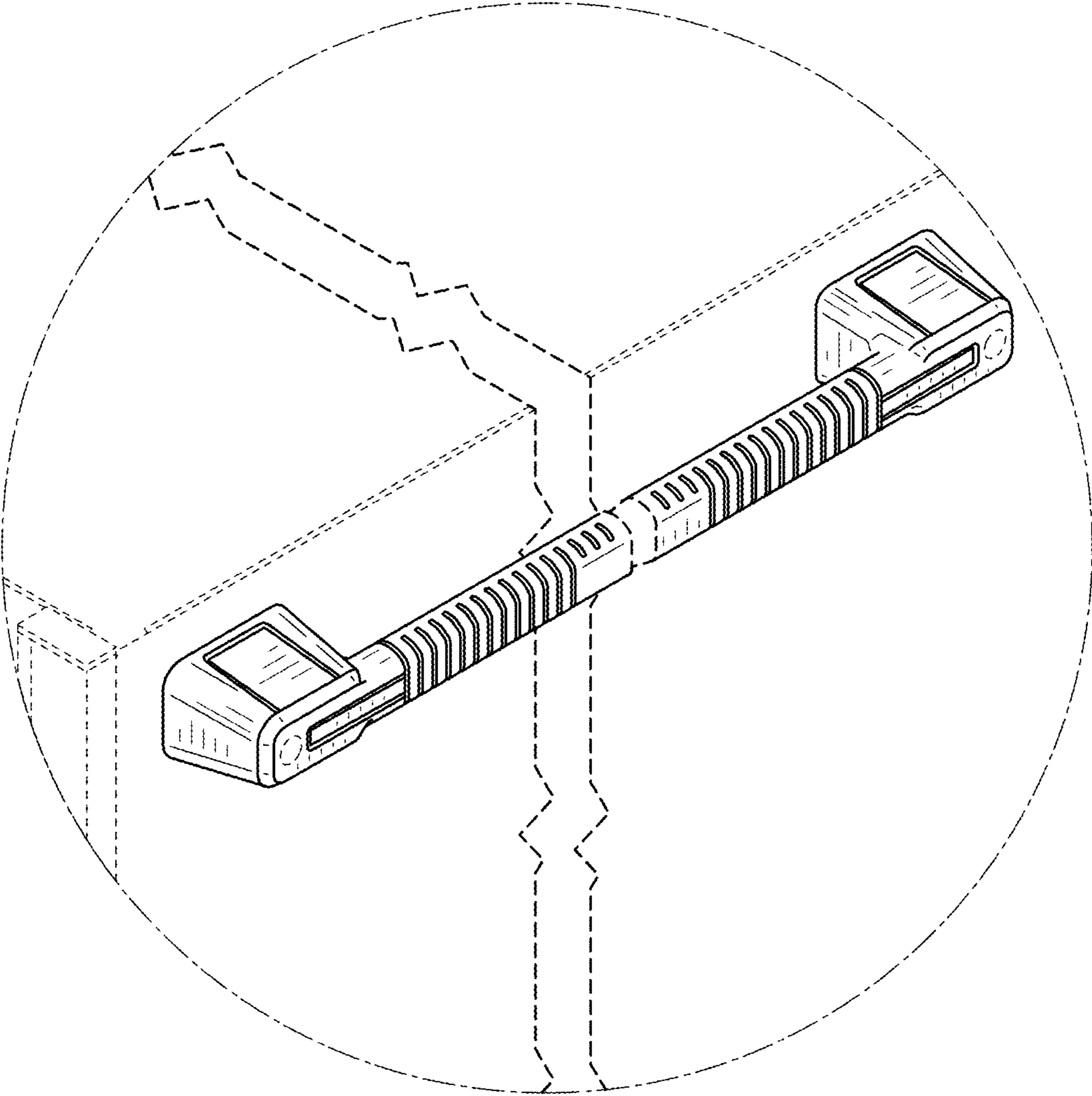


FIG. 8

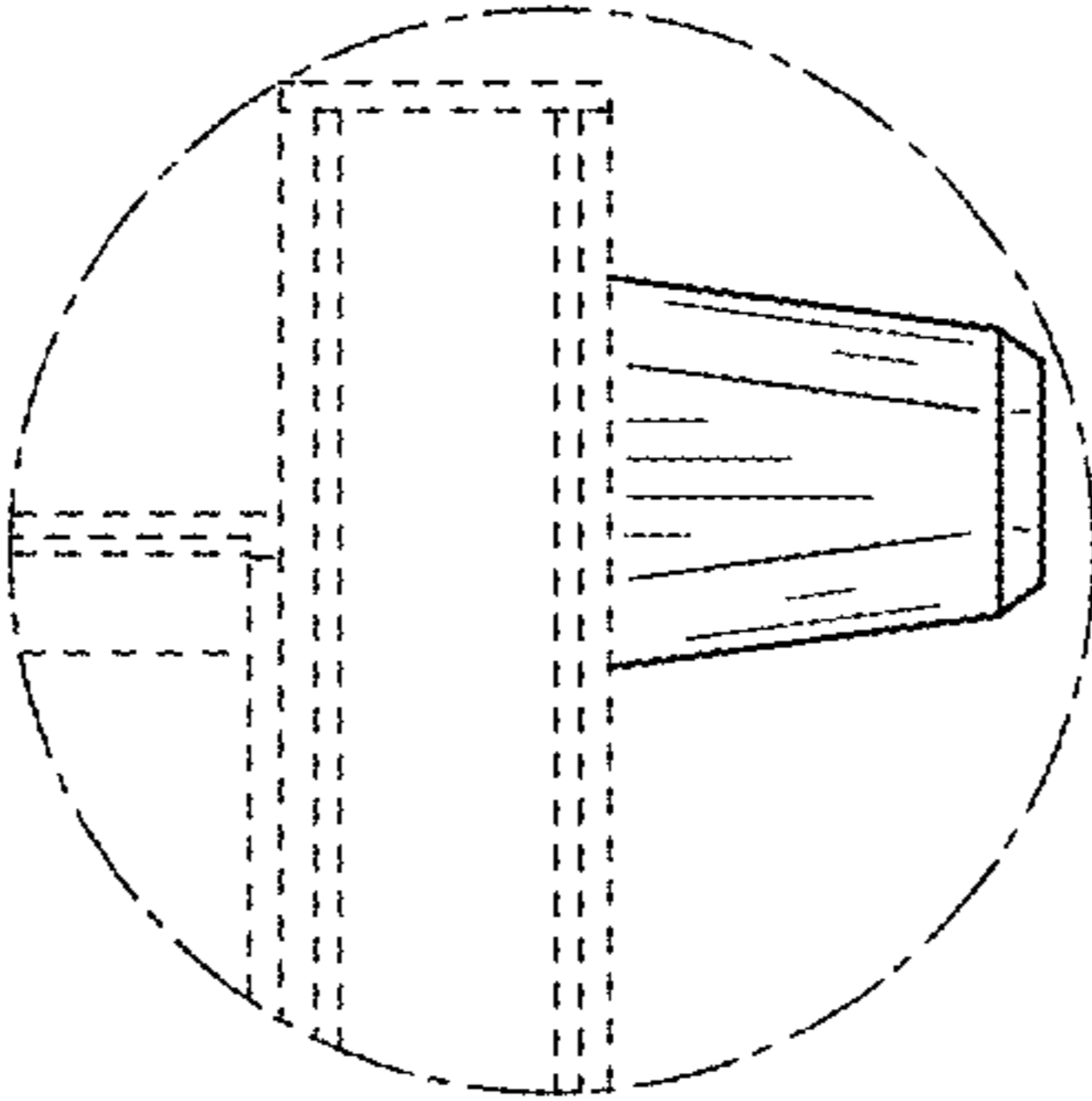


FIG. 9

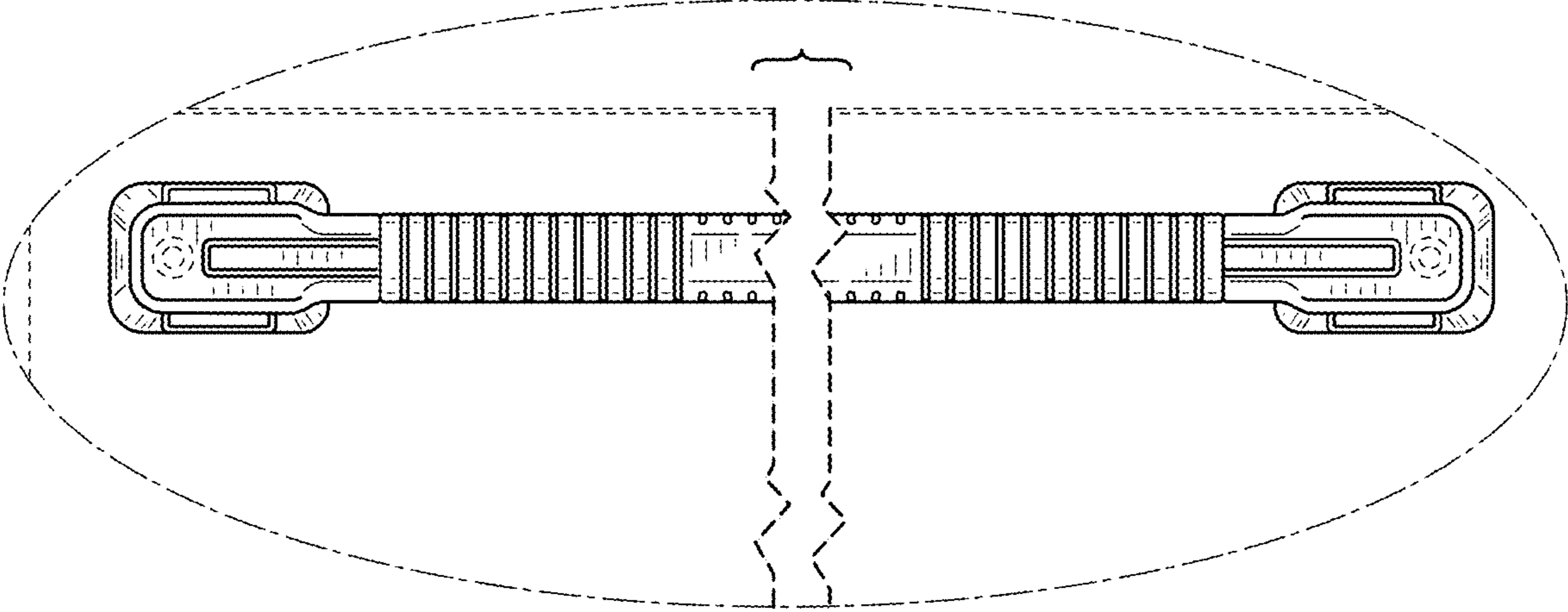


FIG. 10

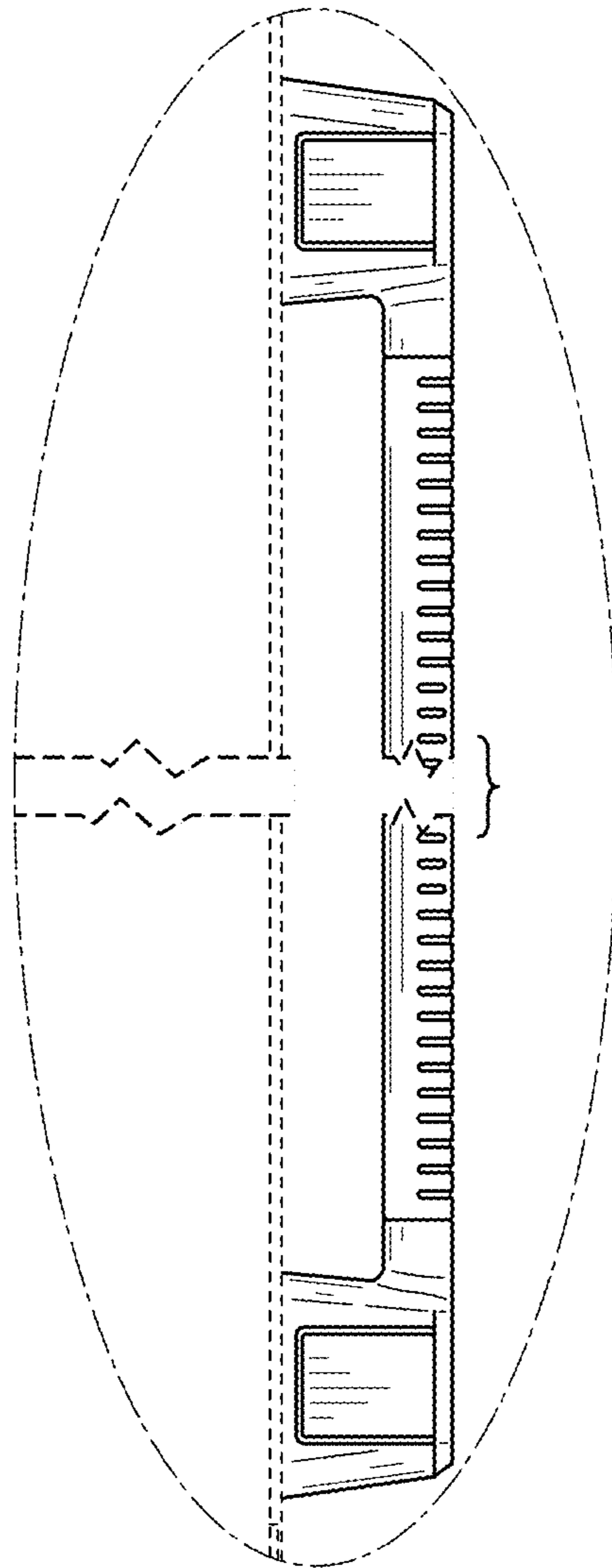


FIG. 11