

US00D961354S

(12) **United States Design Patent** (10) **Patent No.:** **US D961,354 S**
Fu (45) **Date of Patent:** **** Aug. 23, 2022**

(54) **MULTIFUNCTIONAL TOOL**
(71) Applicant: **Yingxiang Fu**, Yangjiang (CN)
(72) Inventor: **Yingxiang Fu**, Yangjiang (CN)
(**) Term: **15 Years**
(21) Appl. No.: **29/764,182**
(22) Filed: **Dec. 29, 2020**
(51) **LOC (13) Cl.** **08-02**
(52) **U.S. Cl.**
USPC **D8/105; D8/81**
(58) **Field of Classification Search**
USPC D8/14, 51, 75, 76, 77, 80, 81, 105
CPC .. B25F 1/00; B25F 1/003; B25F 1/006; B25F
1/04
See application file for complete search history.

D465,711 S * 11/2002 Moore D8/55
6,701,560 B2 * 3/2004 Foley B25C 11/02
7/125
D520,829 S * 5/2006 Albertson D8/26
D808,764 S * 1/2018 Weinberger D8/105
D826,666 S * 8/2018 Zhang D8/55
D915,861 S * 4/2021 Zhong D8/75
D933,446 S * 10/2021 Liu D8/81

* cited by examiner

Primary Examiner — Philip S Hyder

(57) **CLAIM**

The ornamental design for a multifunctional tool, as shown and described.

DESCRIPTION

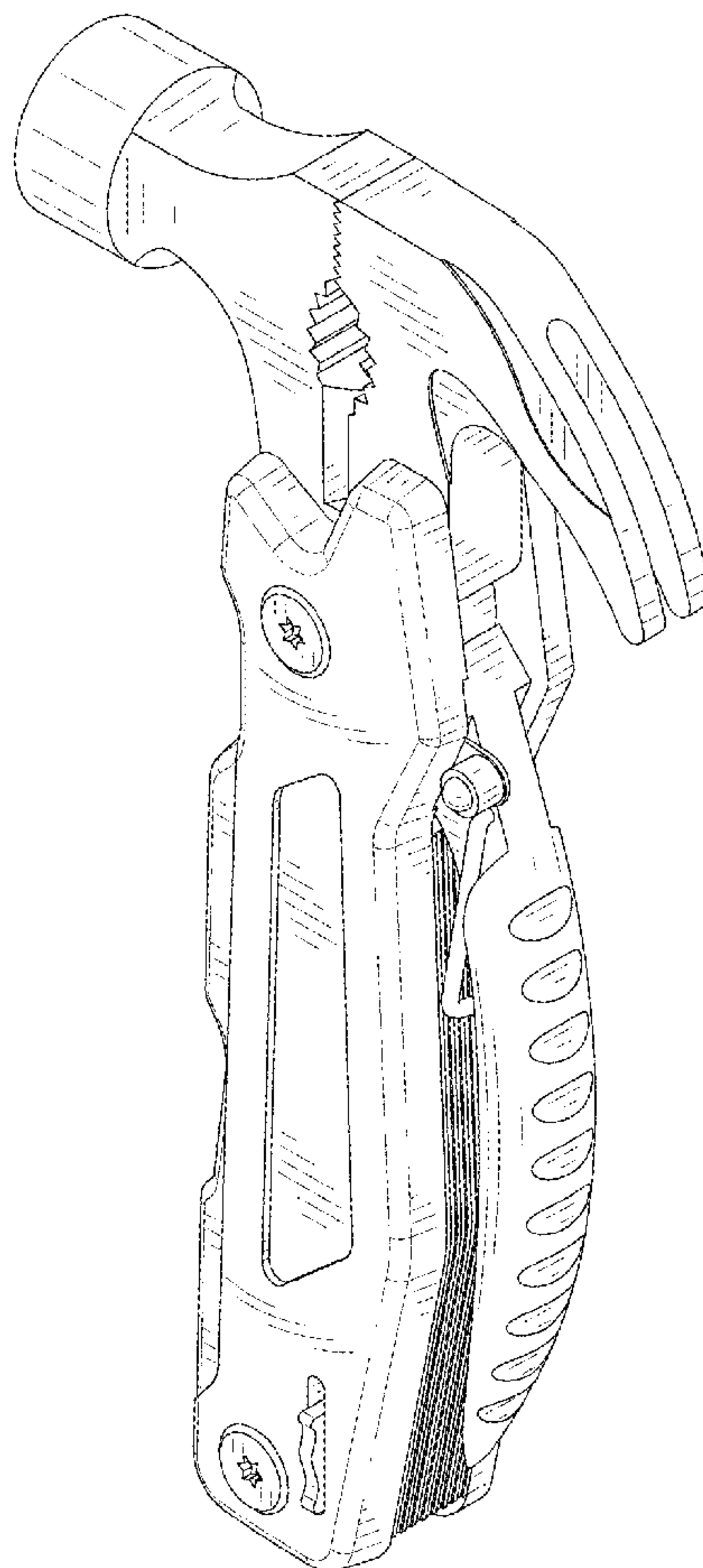
FIG. 1 is a front, right side, top perspective view of a multifunctional tool showing my new design;
FIG. 2 is a rear, left side, bottom perspective view thereof;
FIG. 3 is a front elevational view thereof;
FIG. 4 is a rear elevational view thereof;
FIG. 5 is a left side elevational view thereof;
FIG. 6 is a right side elevational view thereof;
FIG. 7 is a top plan view thereof;
FIG. 8 is a bottom plan view thereof; and,
FIG. 9 is a rear, left side, top perspective view thereof showing some of the different components of the multifunctional tool opened to deployed positions.

1 Claim, 9 Drawing Sheets

(56) **References Cited**

U.S. PATENT DOCUMENTS

D384,264 S * 9/1997 Liou D8/55
D419,050 S * 1/2000 Lin D8/55
D419,418 S * 1/2000 Lin D8/55
D429,987 S * 8/2000 Hung D8/81
D451,357 S * 12/2001 Tseng D8/105
D463,239 S * 9/2002 Makedonski D8/81



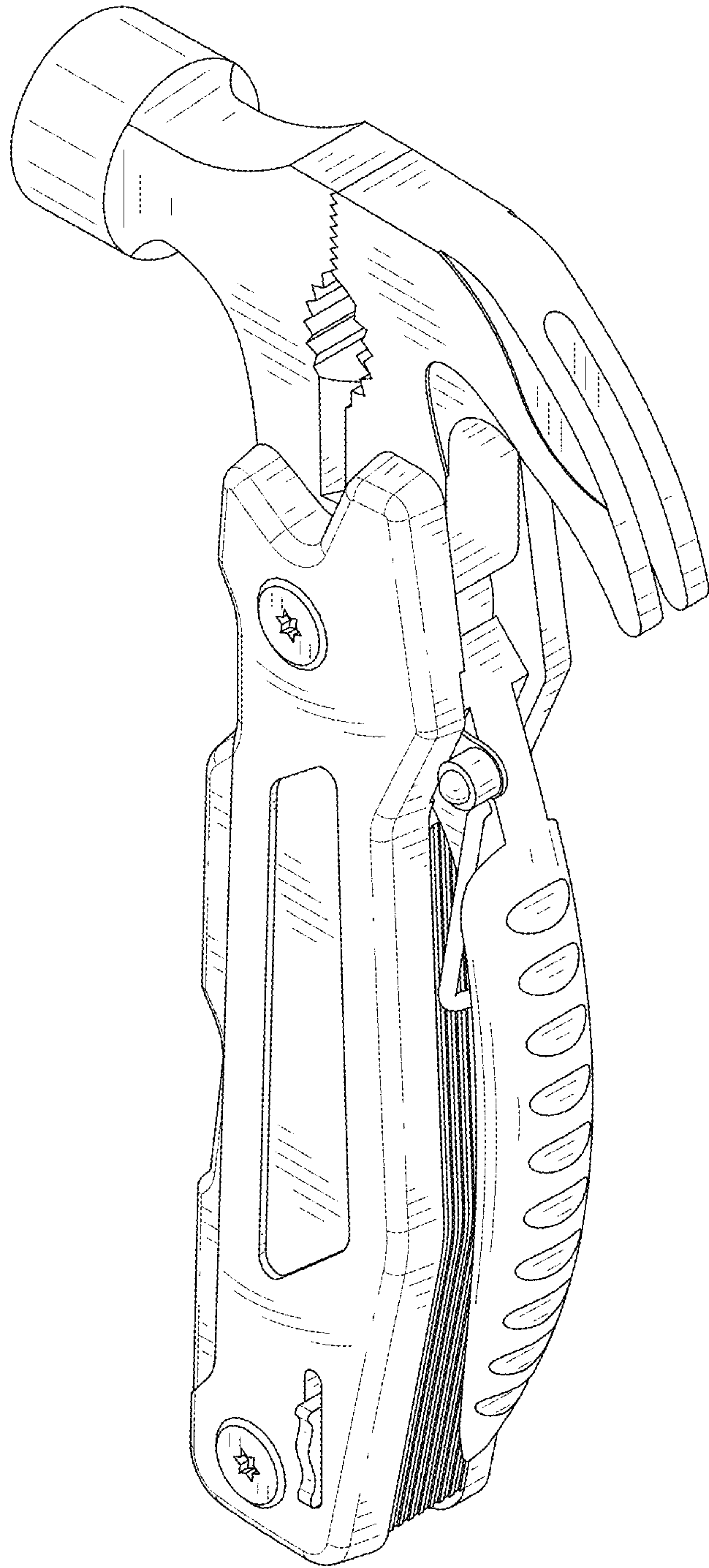


FIG. 1

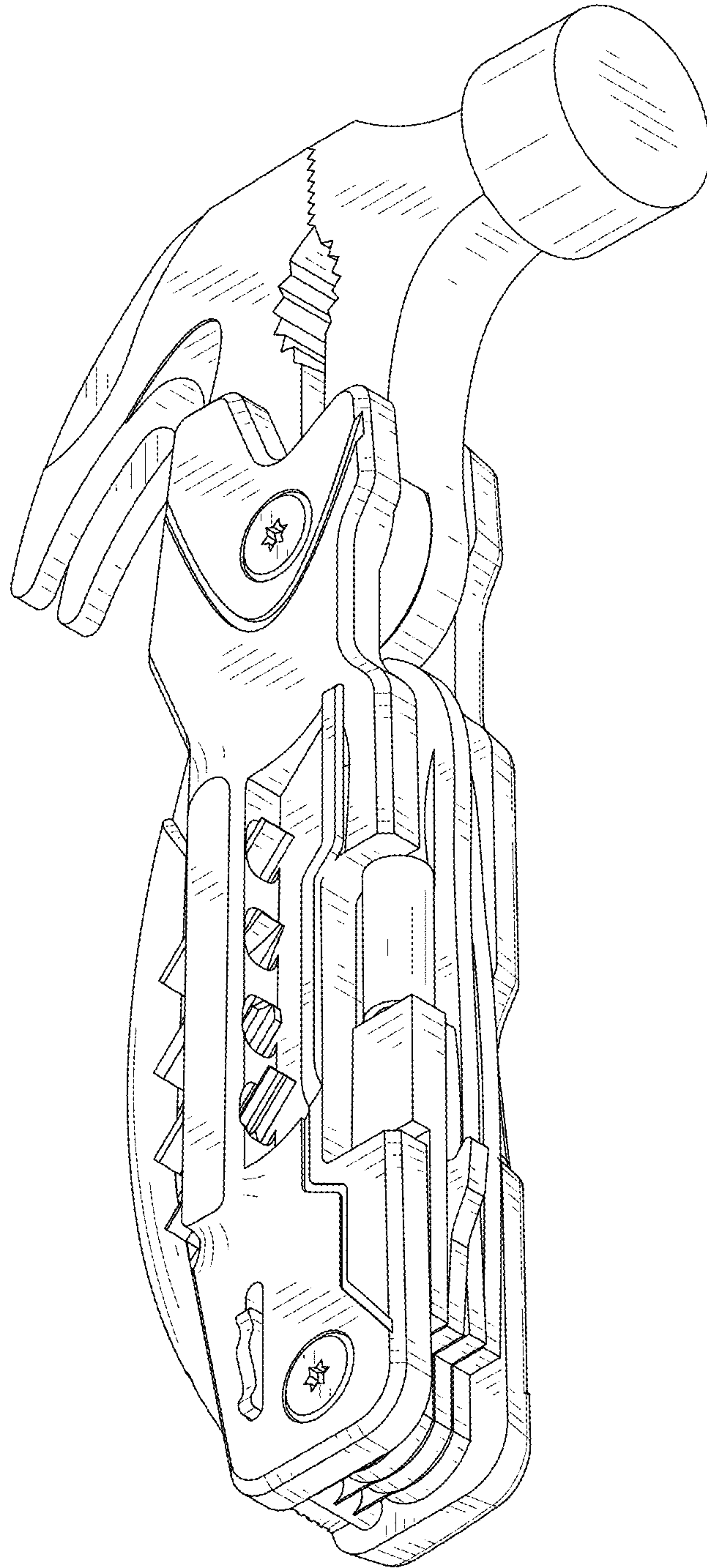


FIG. 2

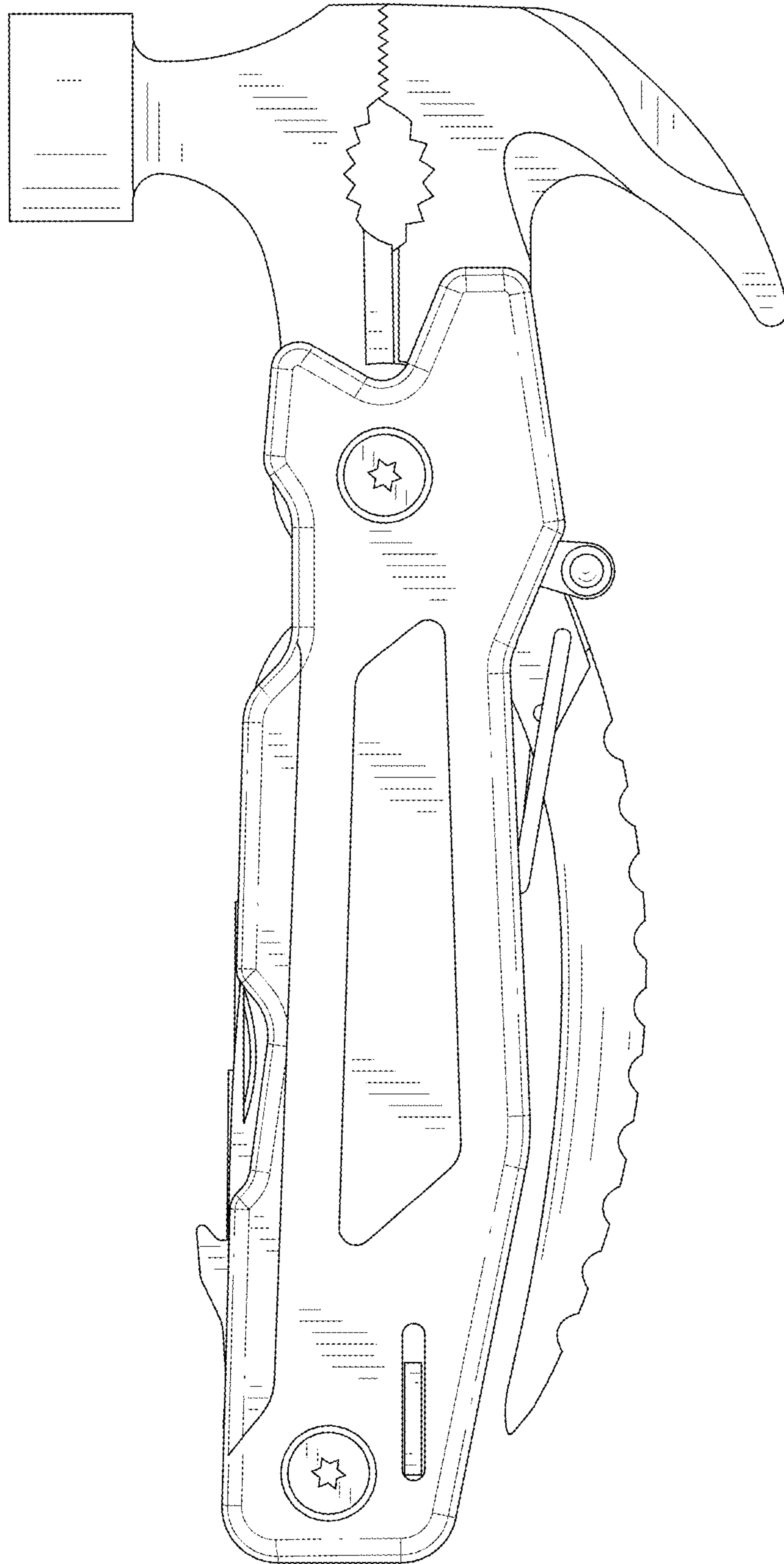


FIG. 3

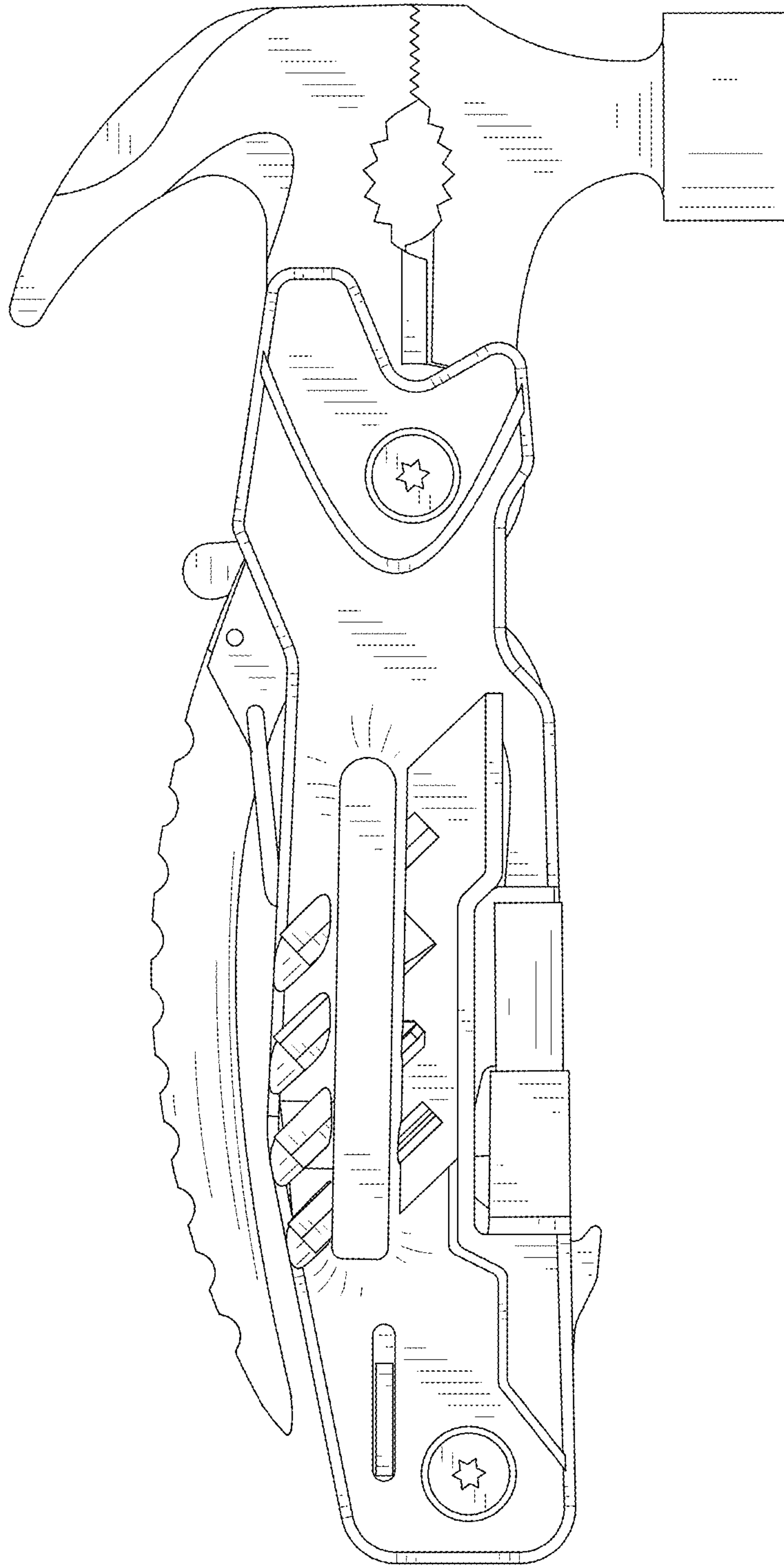


FIG. 4

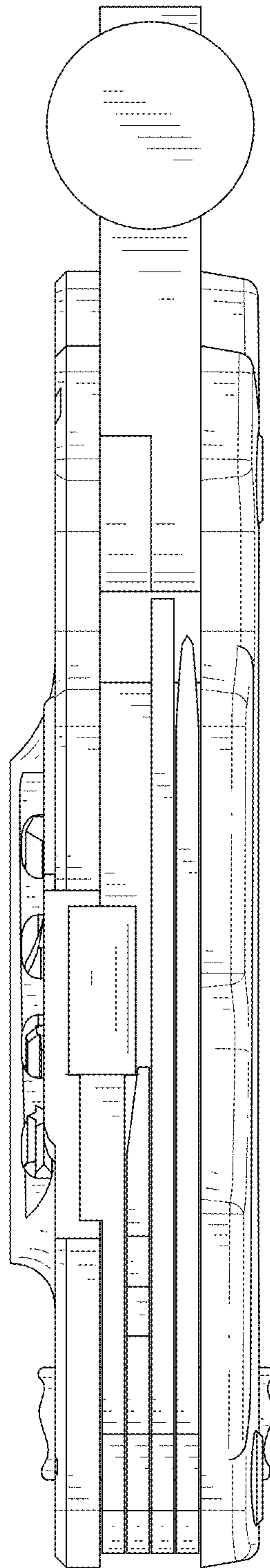


FIG. 5

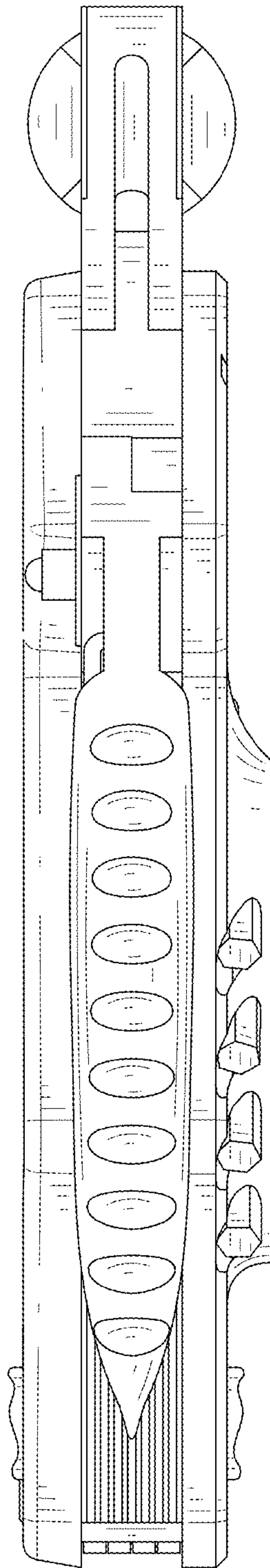


FIG. 6

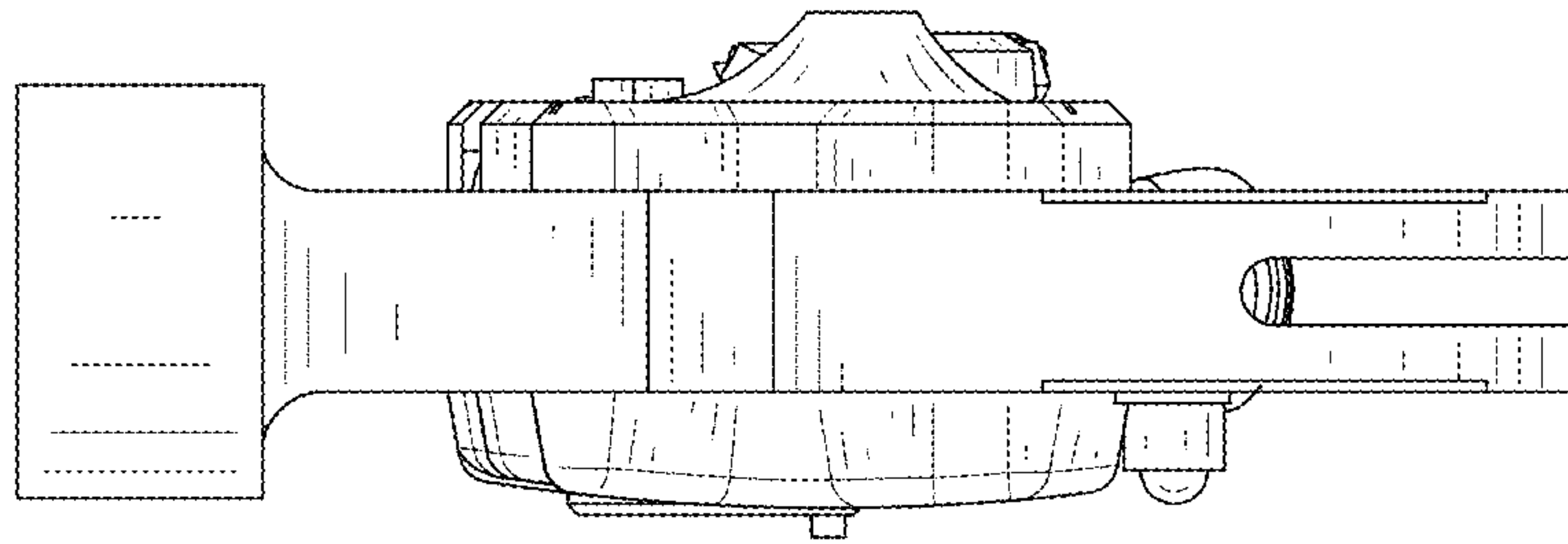


FIG. 7

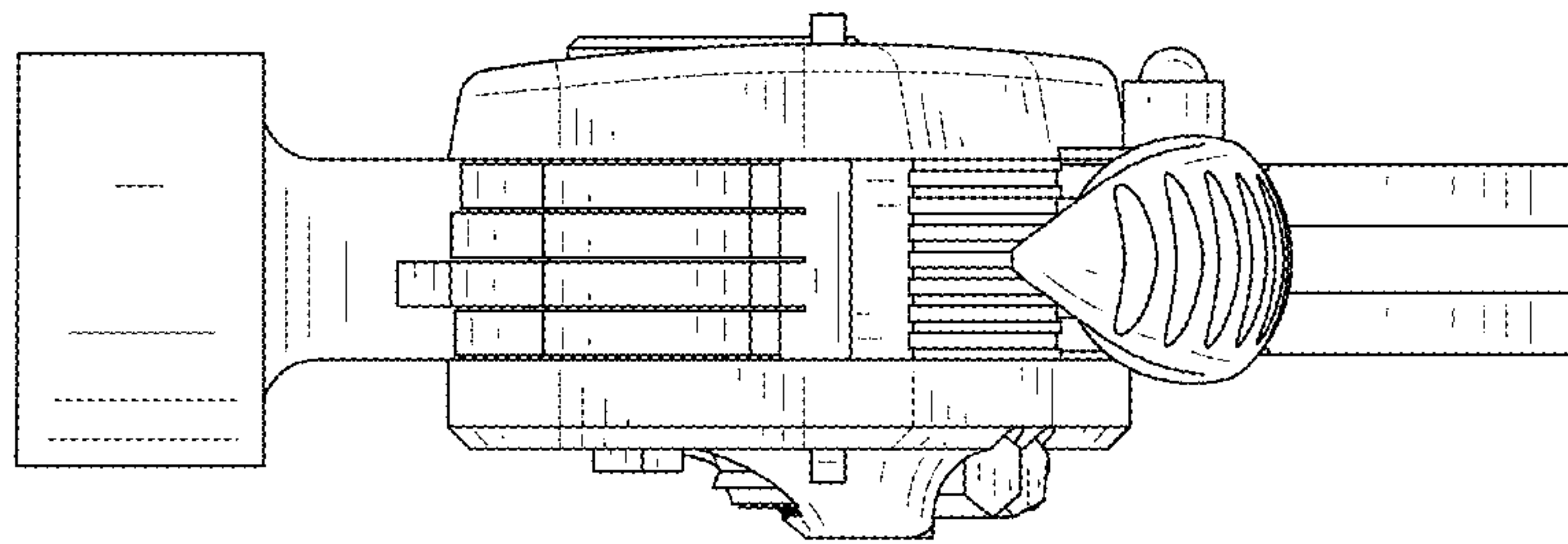


FIG. 8

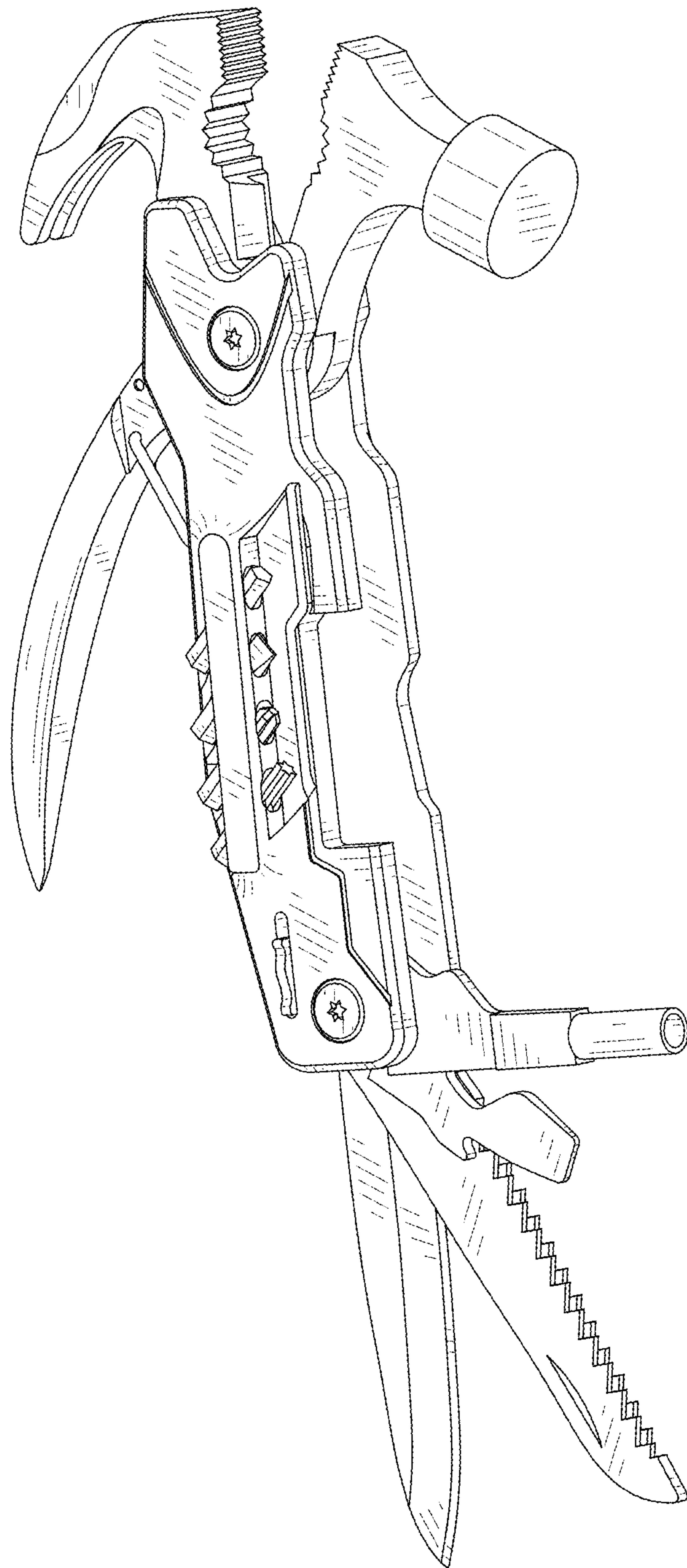


FIG. 9