



US00D961351S

(12) **United States Design Patent** (10) **Patent No.:** **US D961,351 S**  
**Hsieh** (45) **Date of Patent:** **\*\* Aug. 23, 2022**

(54) **TOOL HOLDER**

(71) Applicant: **Chih-Chien Hsieh**, Taichung (TW)

(72) Inventor: **Chih-Chien Hsieh**, Taichung (TW)

(\*\*) Term: **15 Years**

(21) Appl. No.: **29/737,492**

(22) Filed: **Jun. 9, 2020**

(51) **LOC (13) Cl.** ..... **08-05**

(52) **U.S. Cl.**  
USPC ..... **D8/71**

(58) **Field of Classification Search**  
USPC ..... D2/639; D8/71, 380, 499  
CPC . B25H 3/00; B25H 3/003; B25H 3/04; B25H  
3/06

See application file for complete search history.

(56) **References Cited**

**U.S. PATENT DOCUMENTS**

D297,111	S *	8/1988	Thompson	.....	D8/373
10,099,363	B1 *	10/2018	Hsieh	.....	A47B 65/15
D833,847	S *	11/2018	Gabaldon	.....	D8/71
D837,625	S *	1/2019	Cacciabeve	.....	D8/71
10,589,416	B1 *	3/2020	Hsieh	.....	B25H 3/04
D883,058	S *	5/2020	Guy	.....	D8/71
D897,802	S *	10/2020	Byars	.....	D8/71
11,103,989	B2 *	8/2021	Hurley	.....	B25H 3/022
2005/0102793	A1 *	5/2005	Shih	.....	B25H 3/003 16/96 R
2006/0234846	A1 *	10/2006	Tucker	.....	B25H 3/04 483/26
2007/0023369	A1 *	2/2007	Lin	.....	B25H 3/003 211/70.6
2010/0133213	A1 *	6/2010	Kao	.....	B25H 3/04 211/70.6

2011/0011813	A1 *	1/2011	Kao	.....	B25H 3/04 211/70.6
2012/0205497	A1 *	8/2012	Hunt	.....	G11B 33/0466 248/49
2012/0248051	A1 *	10/2012	Kao	.....	B25H 3/04 211/70.6

**OTHER PUBLICATIONS**

“E-Z Red WR1500-B Wrench Holder”, Oct. 4, 2004, Amazon.com, site visited Jan. 5, 2022: <https://www.amazon.com/Z-Red-Company-WR1500-B-Magnetic/dp/B000OCKJUA> (Year: 2004).\*  
“EZRED—WR10-RD Magnetic Wrench Organizer”, May 2, 2019, Amazon.com, site visited Jan. 5, 2022: <https://www.amazon.com/Magnetic-Organizer-Wrenches-Individual-Holders/dp/B07TV7981K> (Year: 2019).\*

\* cited by examiner

*Primary Examiner* — Jack Reickel  
*Assistant Examiner* — Michael A Kervin  
(74) *Attorney, Agent, or Firm* — Egbert, McDaniel & Swartz, PLLC

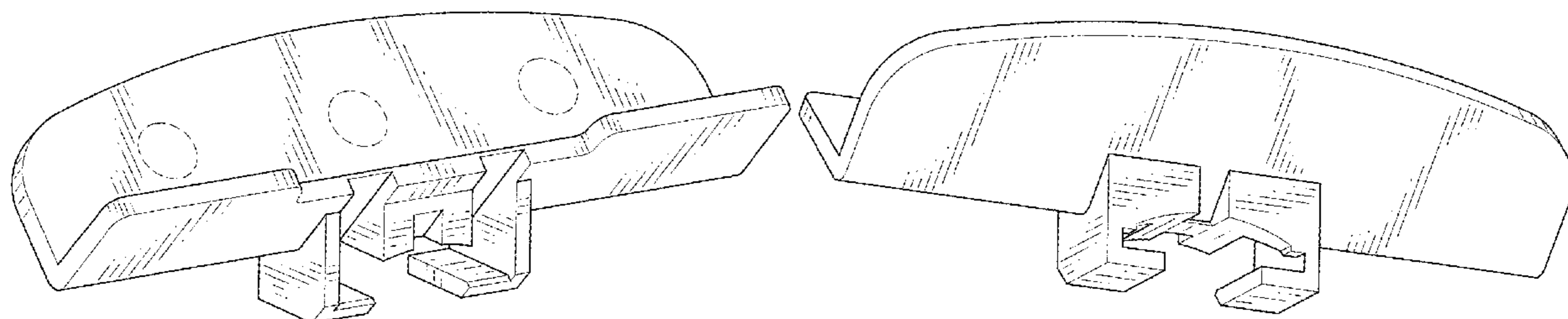
(57) **CLAIM**

The ornamental design for a tool holder, as shown and described.

**DESCRIPTION**

FIG. 1 is an upper perspective view of a tool holder showing my new design;  
FIG. 2 is a front view thereof;  
FIG. 3 is a rear view thereof;  
FIG. 4 is a side view thereof;  
FIG. 5 is an opposite side view thereof;  
FIG. 6 is a top plan view thereof;  
FIG. 7 is a bottom plan view thereof;  
FIG. 8 is a first lower perspective view thereof; and,  
FIG. 9 is a second lower perspective view thereof.  
The circular shapes illustrated in broken lines in FIGS. 1, 2 and 6 depict unclaimed portions of the tool holder that form no part of the claimed design.

**1 Claim, 6 Drawing Sheets**



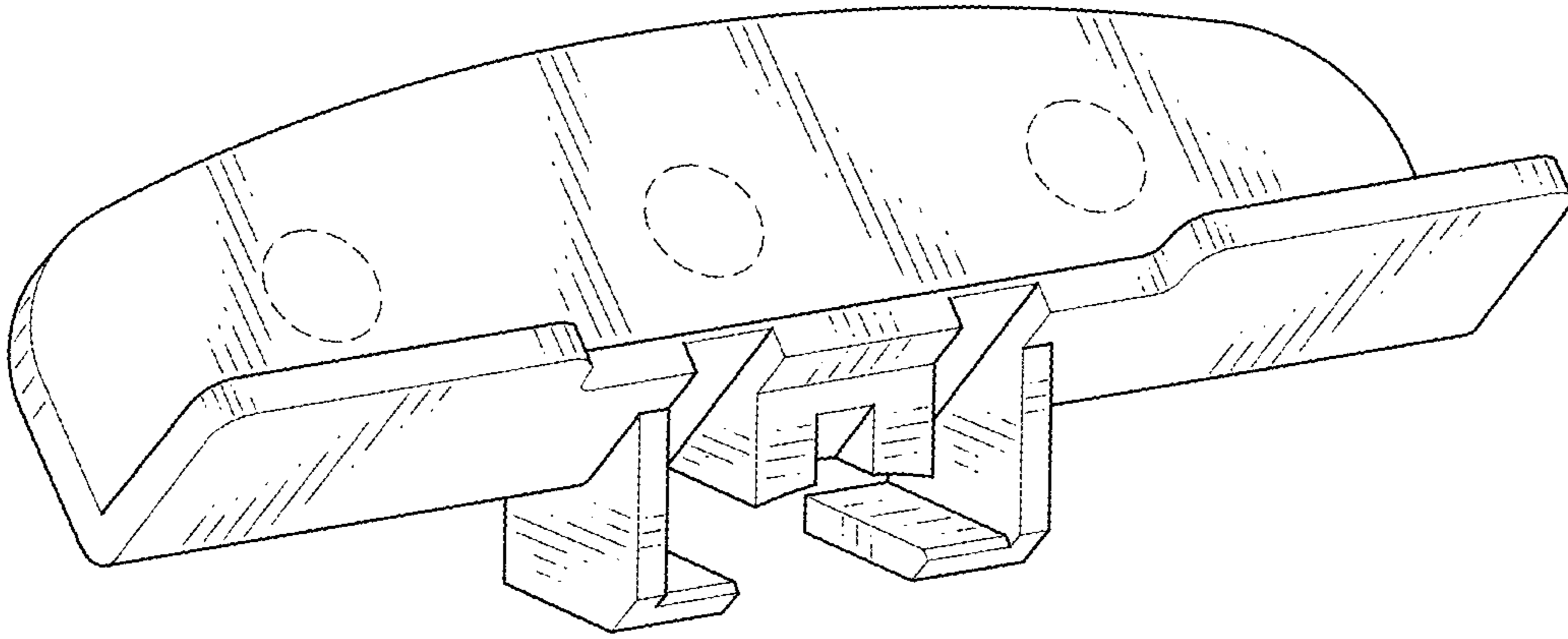


FIG. 1

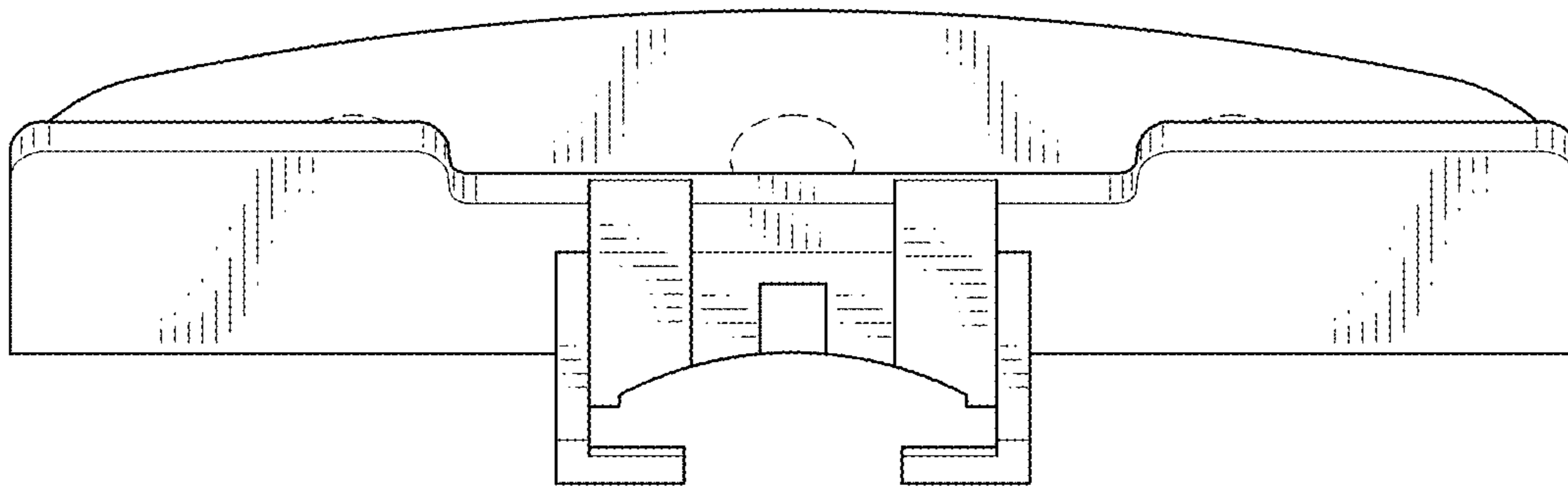


FIG. 2

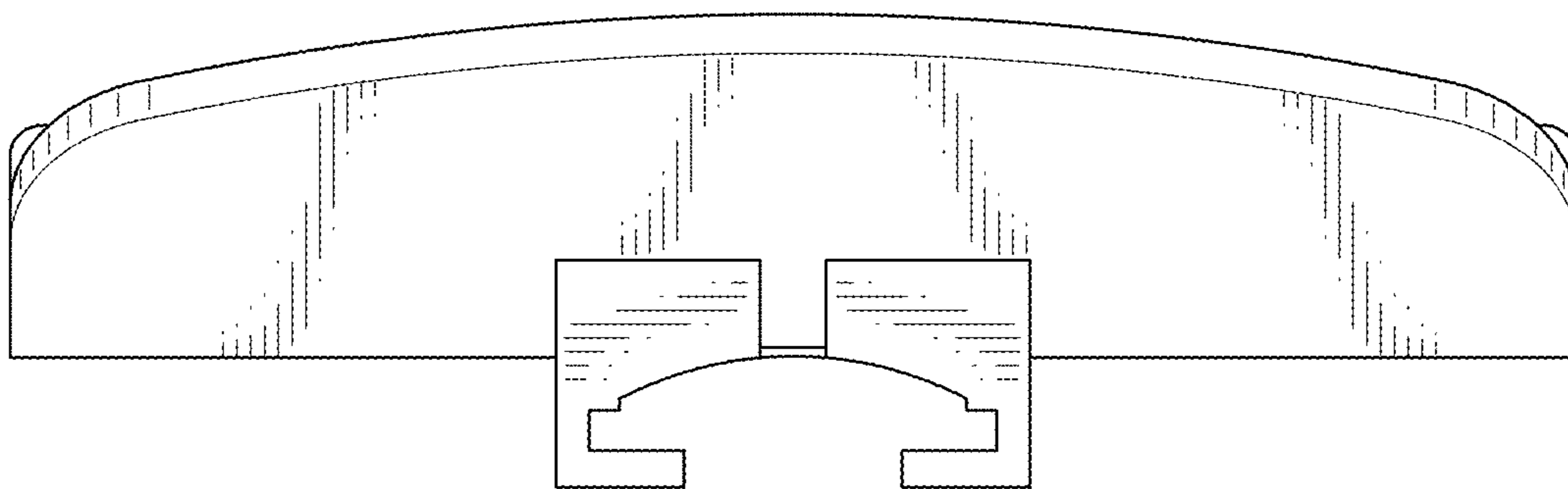


FIG. 3

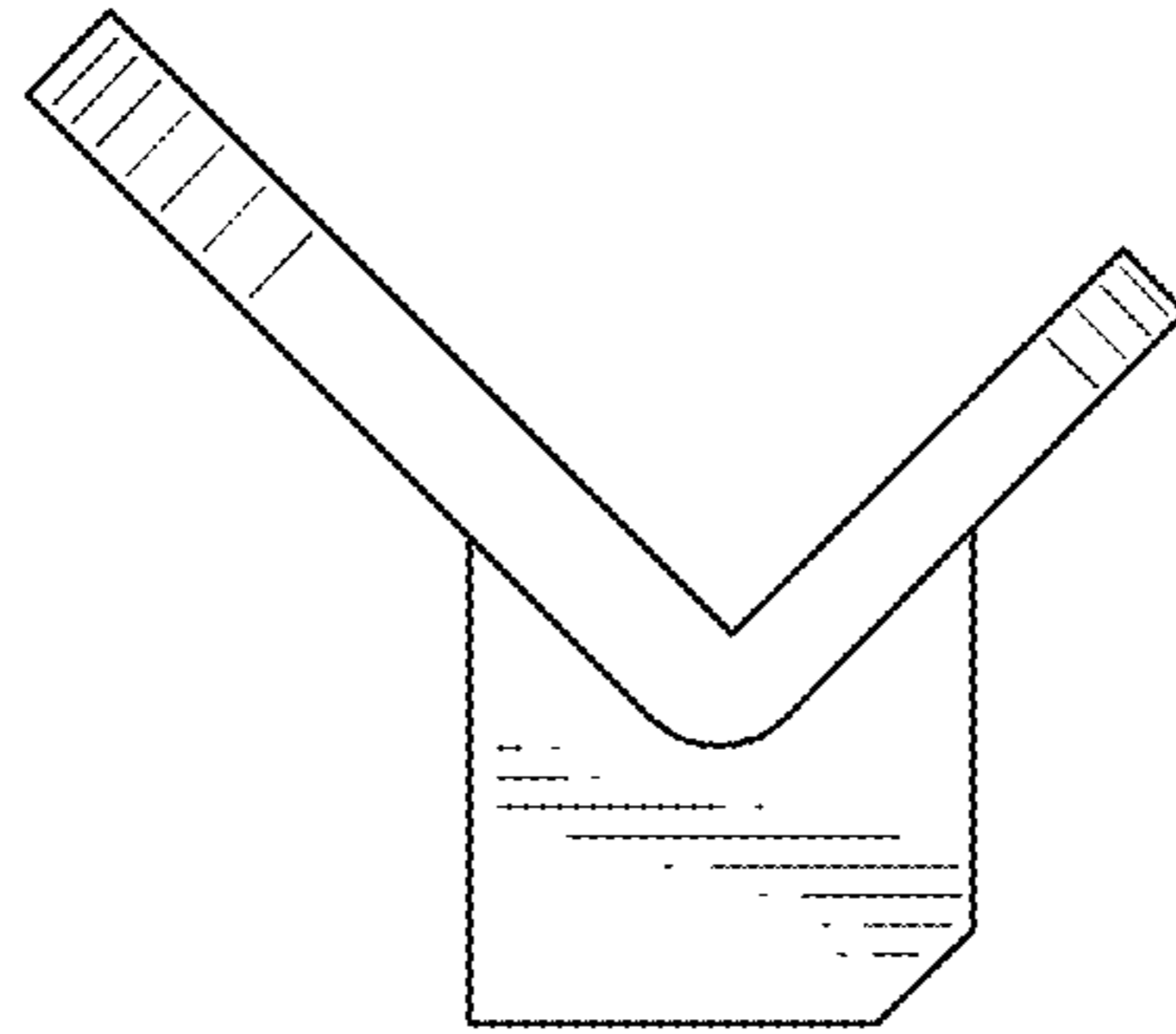


FIG. 4

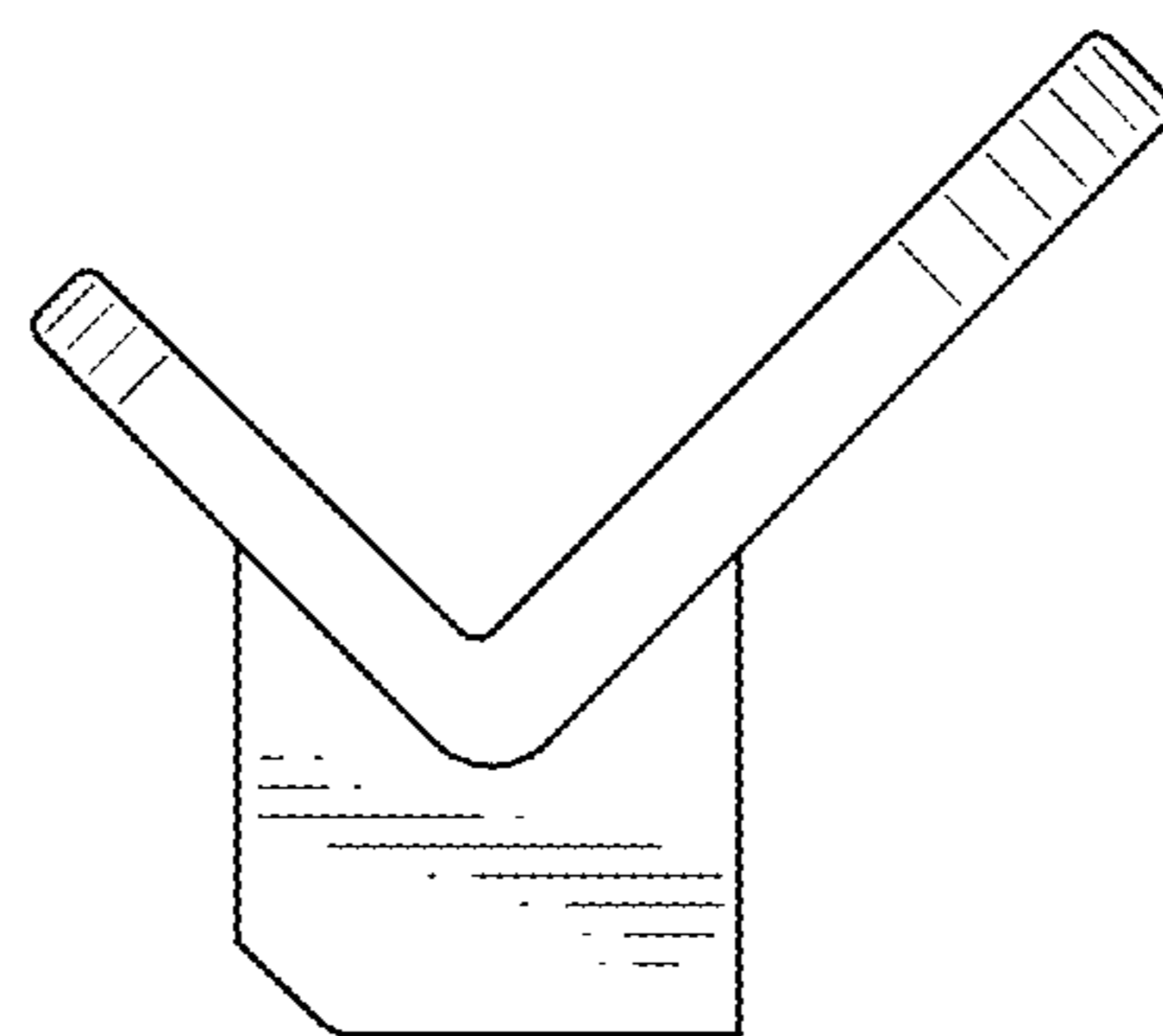


FIG. 5

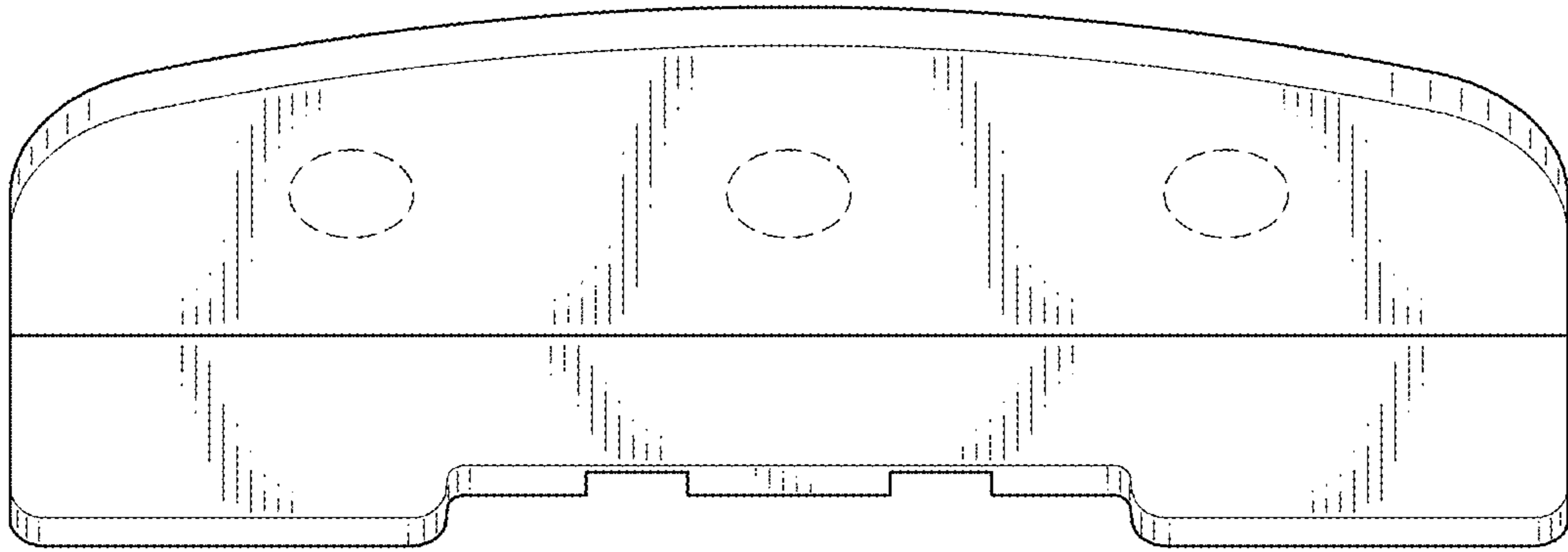


FIG. 6

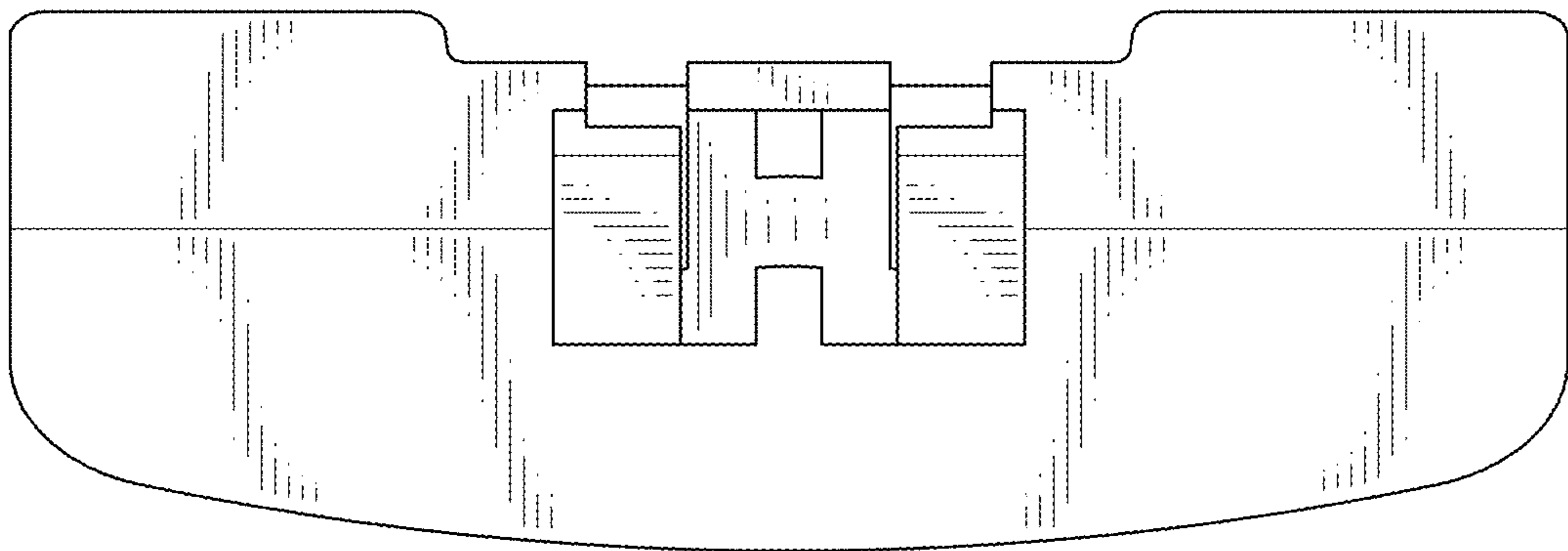


FIG. 7

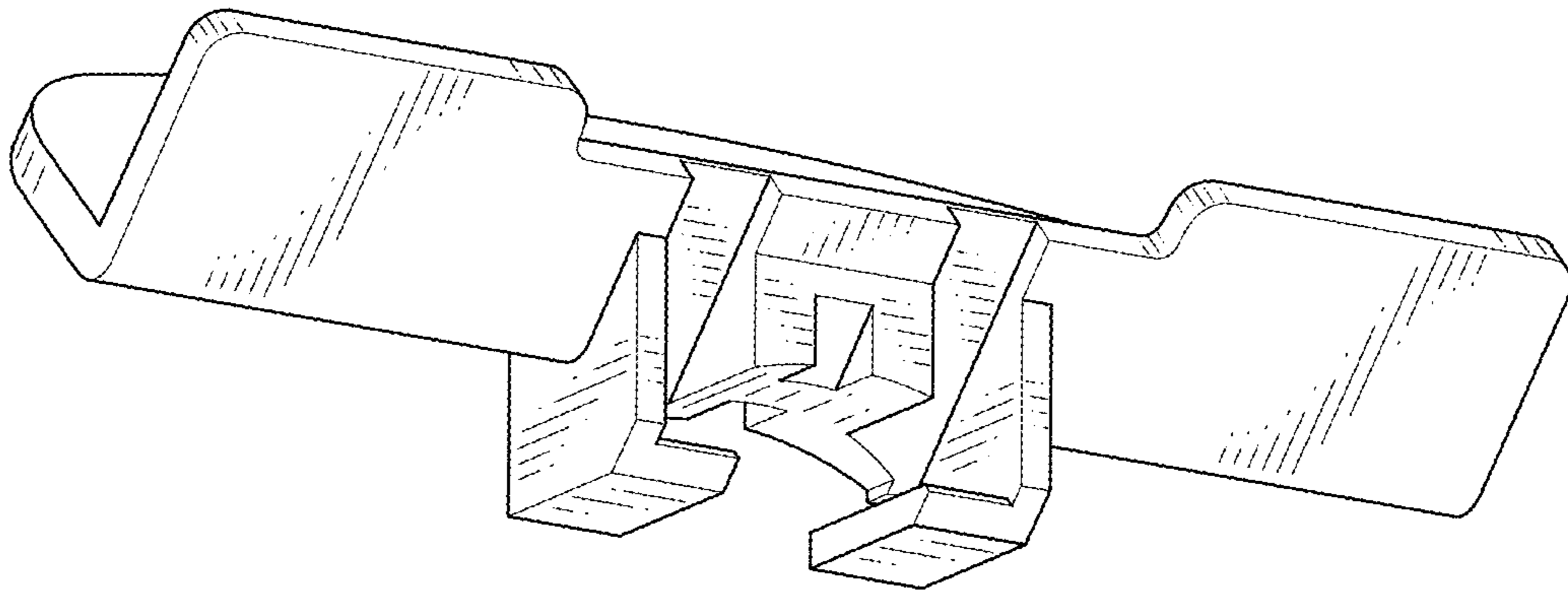


FIG. 8

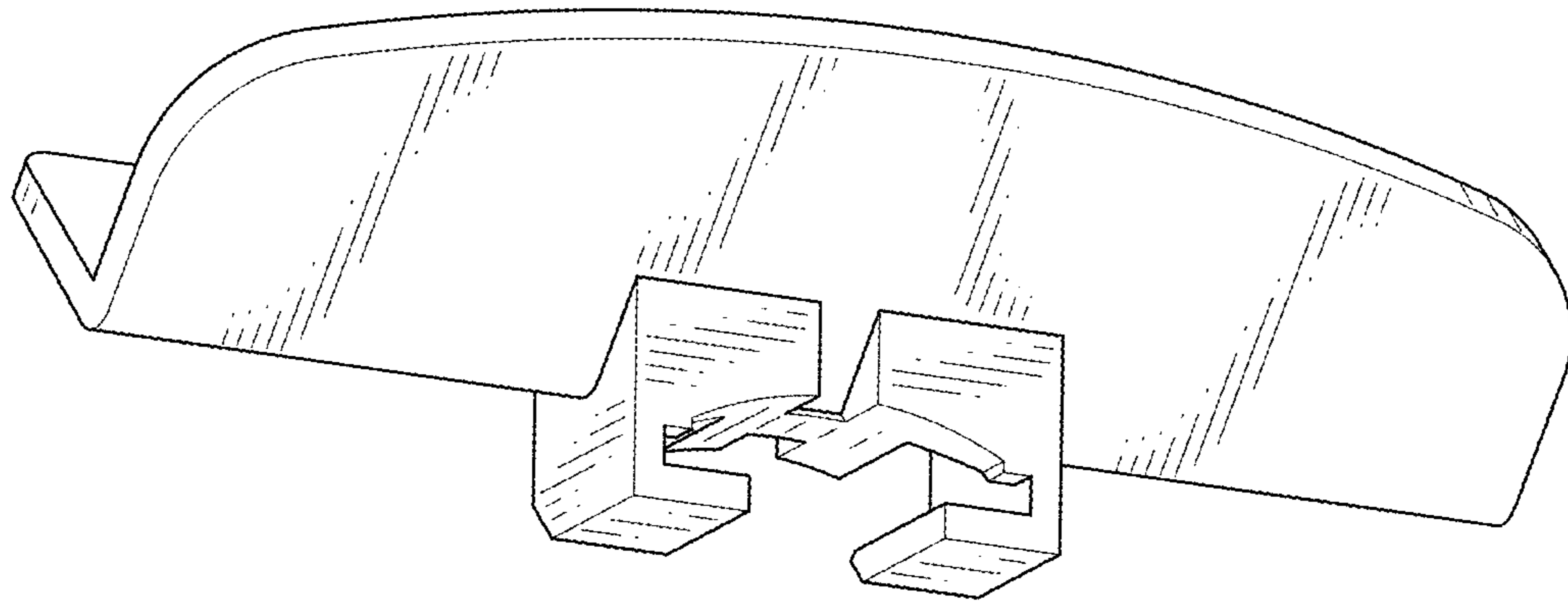


FIG. 9