



US00D961350S

(12) **United States Design Patent** (10) **Patent No.:** **US D961,350 S**
Johansson (45) **Date of Patent:** **** Aug. 23, 2022**

- (54) **DEVICE FOR SHOE FORMING**
- (71) Applicant: **BOOTTECH I SVERIGE AB,**
Borlänge (SE)
- (72) Inventor: **Mattias Johansson,** Borlänge (SE)
- (73) Assignee: **Boottech i Sverige AB,** Borlänge (SE)
- (**) Term: **15 Years**
- (21) Appl. No.: **29/708,487**
- (22) Filed: **Oct. 7, 2019**
- (30) **Foreign Application Priority Data**

Apr. 23, 2019 (EM) 006388633-0001

- (51) **LOC (13) Cl.** **08-05**
- (52) **U.S. Cl.**
USPC **D8/71**
- (58) **Field of Classification Search**
USPC D8/71, 315, 70, 72, 74, 336, 354,
D8/306-307, 321, 382, 51, 373; D2/642,
D2/979; D23/223, 213
CPC B23B 47/287; B23B 2247/10; B23B
2260/088; B23B 49/02; B23B 49/023;
B23B 51/009; F16M 13/022; F16M
11/242; F16M 11/42; B25H 3/003; B25H
3/06; G01B 5/02
See application file for complete search history.

(56) **References Cited**

U.S. PATENT DOCUMENTS

- 1,902,251 A * 3/1933 Maier A43D 3/1416
12/114.6
- 2,476,462 A * 7/1949 Smith A47L 23/18
12/53.7
- 3,206,780 A * 9/1965 Cox A43D 3/08
12/116.2

- 3,263,252 A * 8/1966 Johnson A43D 3/1475
12/116.6
- D355,582 S * 2/1995 Sleight D8/354
- D438,281 S * 2/2001 Webster D22/147
- D507,817 S * 7/2005 Mitchell D22/147
- D531,478 S * 11/2006 Lin D8/71
- D541,612 S * 5/2007 Lin D3/905
- D570,176 S * 6/2008 Franchini D8/71
- D582,744 S * 12/2008 Hansson D8/71
- 7,780,017 B2 * 8/2010 Nguy B25H 3/025
211/70.6
- D640,113 S * 6/2011 Krohmer D8/71
- D640,522 S * 6/2011 Livingston, Jr. D8/74
- D770,754 S * 11/2016 Maida D2/979
- D778,135 S * 2/2017 Blank D8/72
- D804,269 S * 12/2017 Wright, Jr. D8/71
- D810,526 S * 2/2018 Dougherty D8/8
- 9,891,506 B1 * 2/2018 Wei F16M 11/08
- D812,365 S * 3/2018 Talley D2/978
- 9,921,459 B2 * 3/2018 Wagner F16M 11/105

(Continued)

Primary Examiner — Karen S Acker
Assistant Examiner — Elizabeth S Ko
(74) *Attorney, Agent, or Firm* — Nixon & Vanderhye P.C.

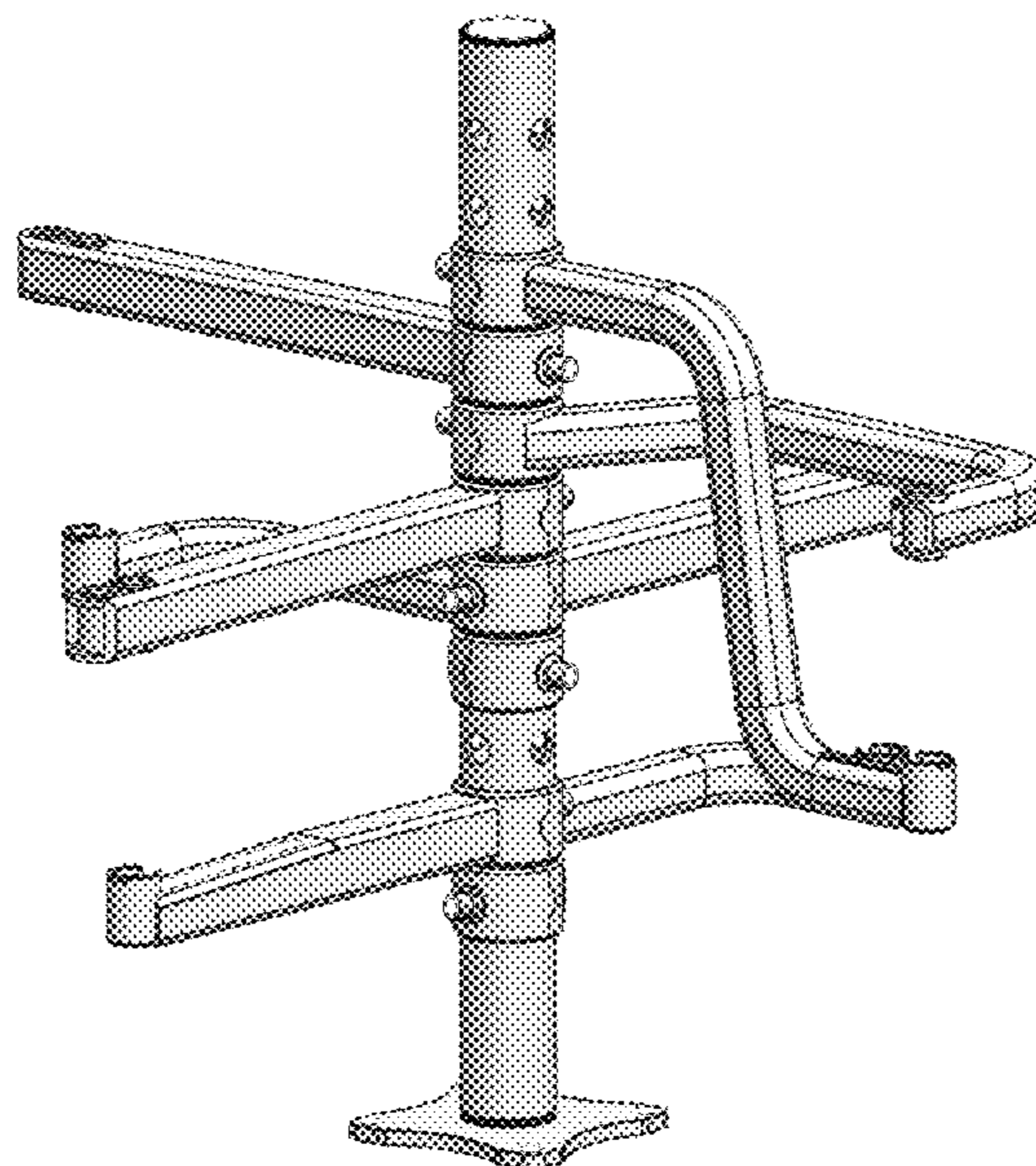
(57) **CLAIM**

The ornamental design for a device for shoe forming, as shown and described.

DESCRIPTION

FIG. 1 is a perspective view of a device for shoe forming; FIG. 2 is a front view thereof; FIG. 3 is a back view thereof; FIG. 4 is a right side view thereof; FIG. 5 is a left side view thereof; FIG. 6 is a top view thereof; and, FIG. 7 is a bottom view thereof. The broken lines and areas within depict portions of the device for shoe forming that form no part of the claimed design.

1 Claim, 7 Drawing Sheets



(56)

References Cited

U.S. PATENT DOCUMENTS

D828,739 S * 9/2018 Scherer D8/71
D844,316 S * 4/2019 Denney D2/979
D848,809 S * 5/2019 Avila B62D 33/0207
D8/71
D849,497 S * 5/2019 Wang D8/71
D850,879 S * 6/2019 Wong D8/72
10,413,975 B2 * 9/2019 Wagner, III B23B 45/003
D903,292 S * 12/2020 Drone D2/979
2004/0079849 A1 * 4/2004 Rudolf F16M 11/2092
248/276.1
2010/0059642 A1 * 3/2010 McLeod A47H 1/142
248/207
2010/0288584 A1 * 11/2010 Zinsmeyer A01M 31/02
182/129
2013/0333268 A1 * 12/2013 Henry, Jr. A01K 97/10
43/4.5

* cited by examiner

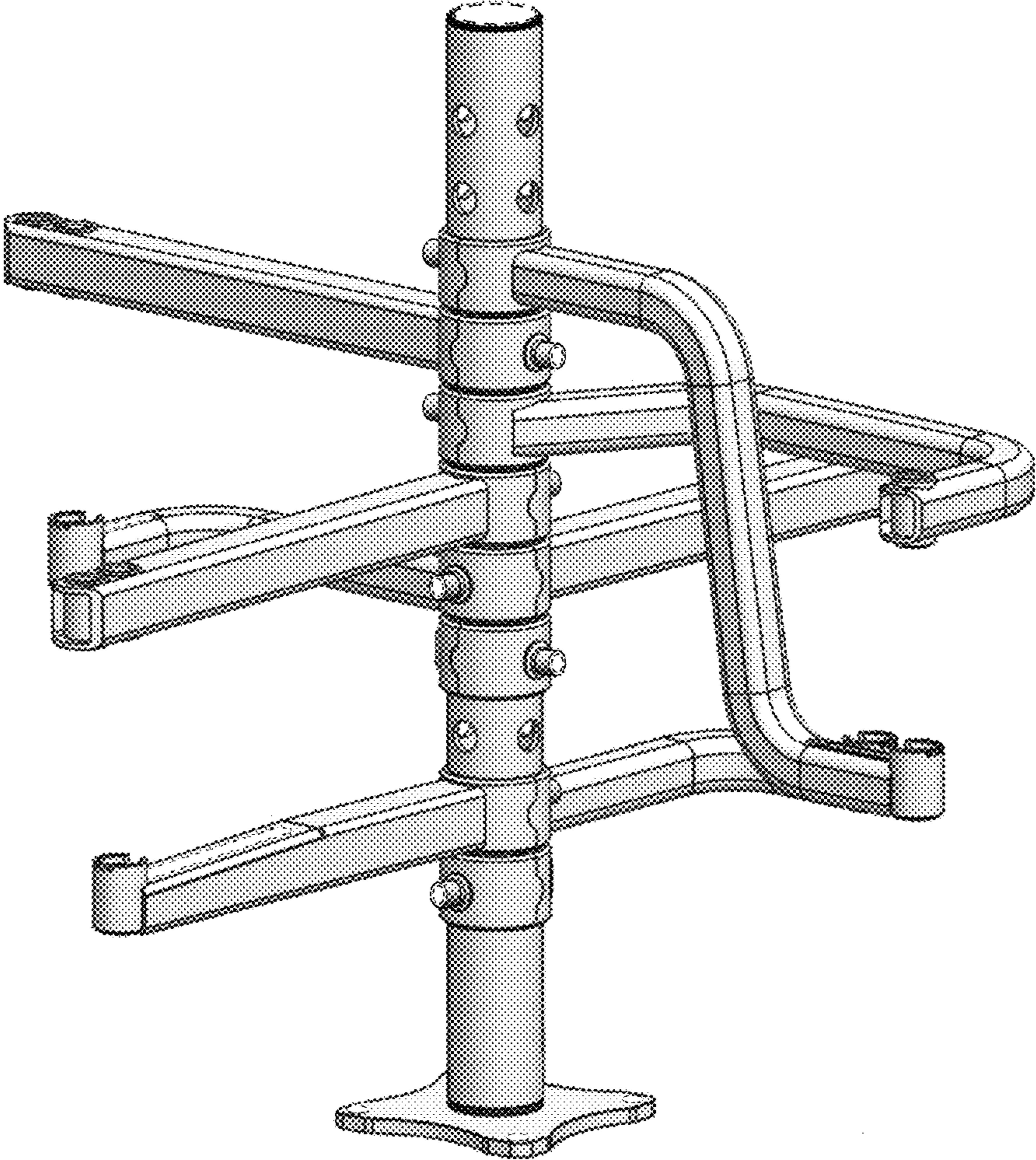


FIG. 1

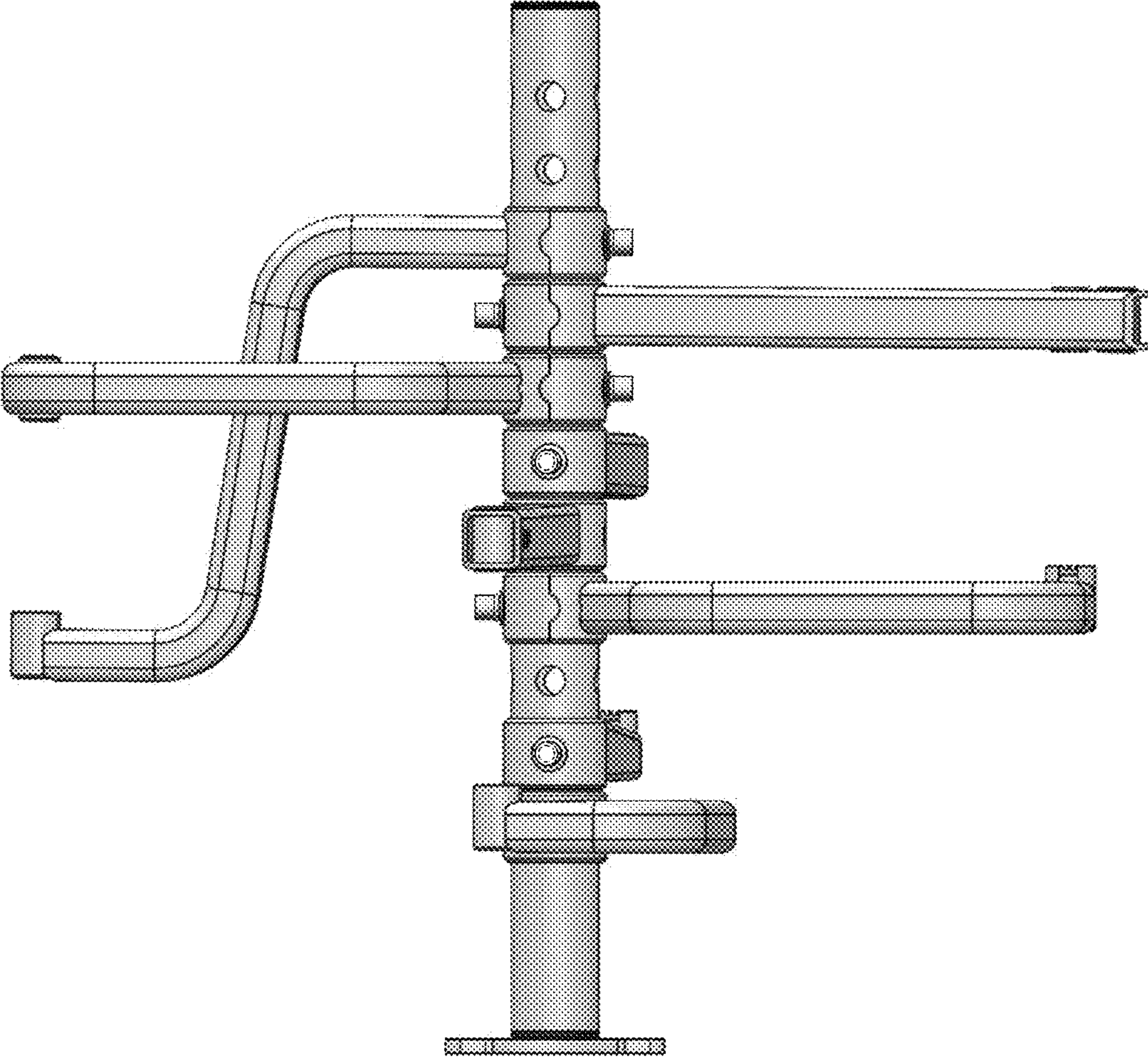


FIG. 2

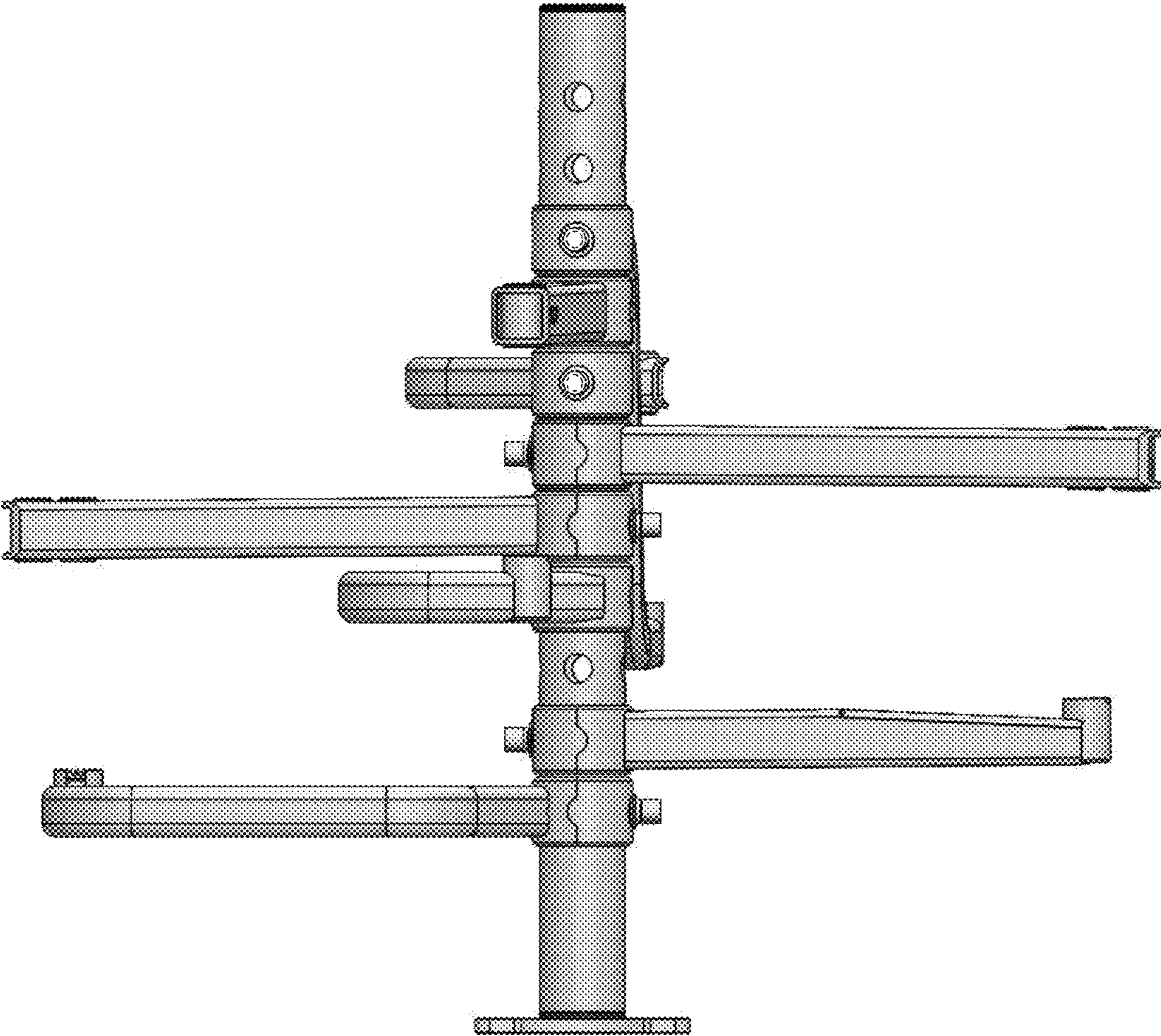


FIG. 3

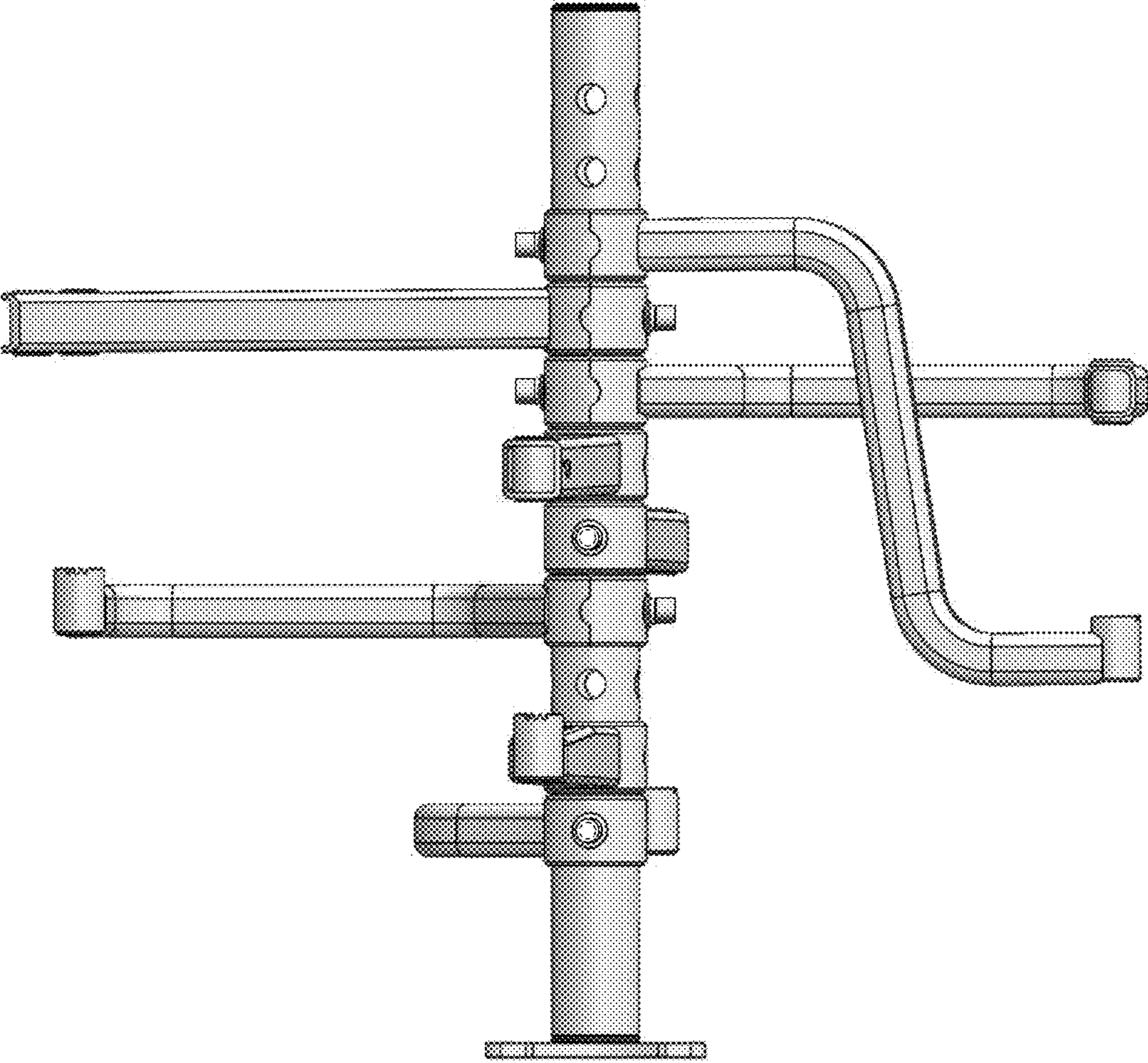


FIG. 4

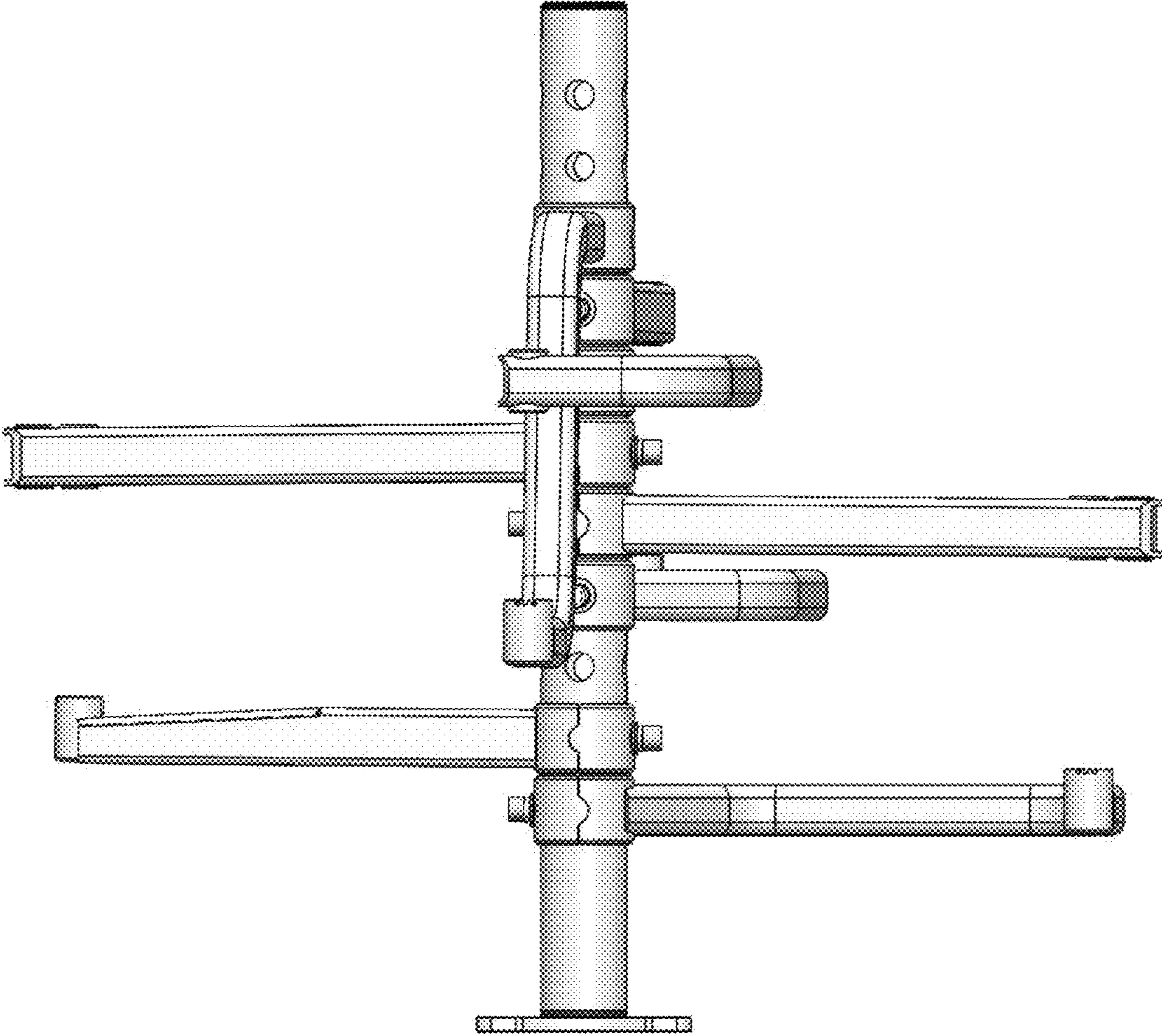


FIG. 5

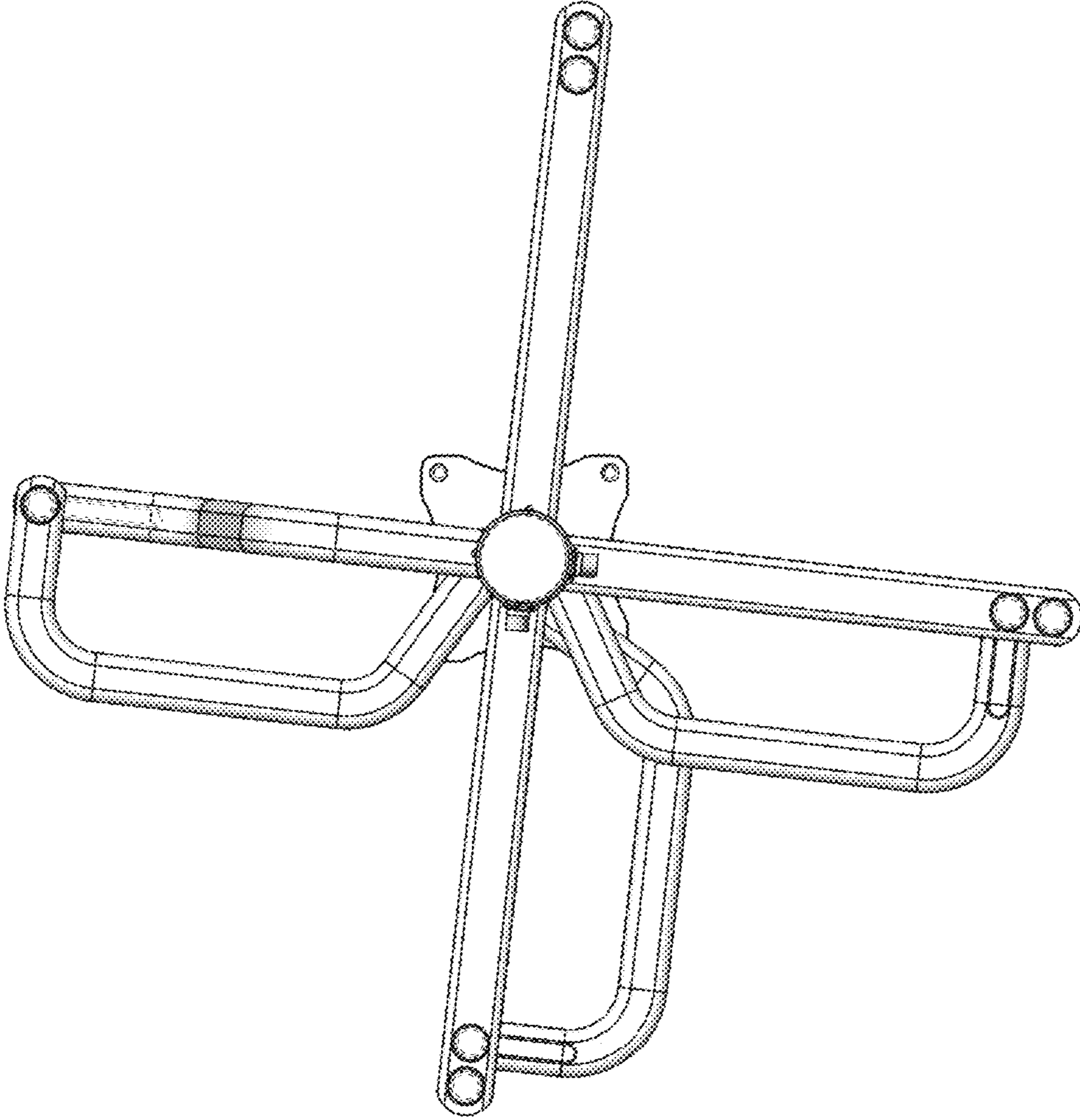


FIG. 6

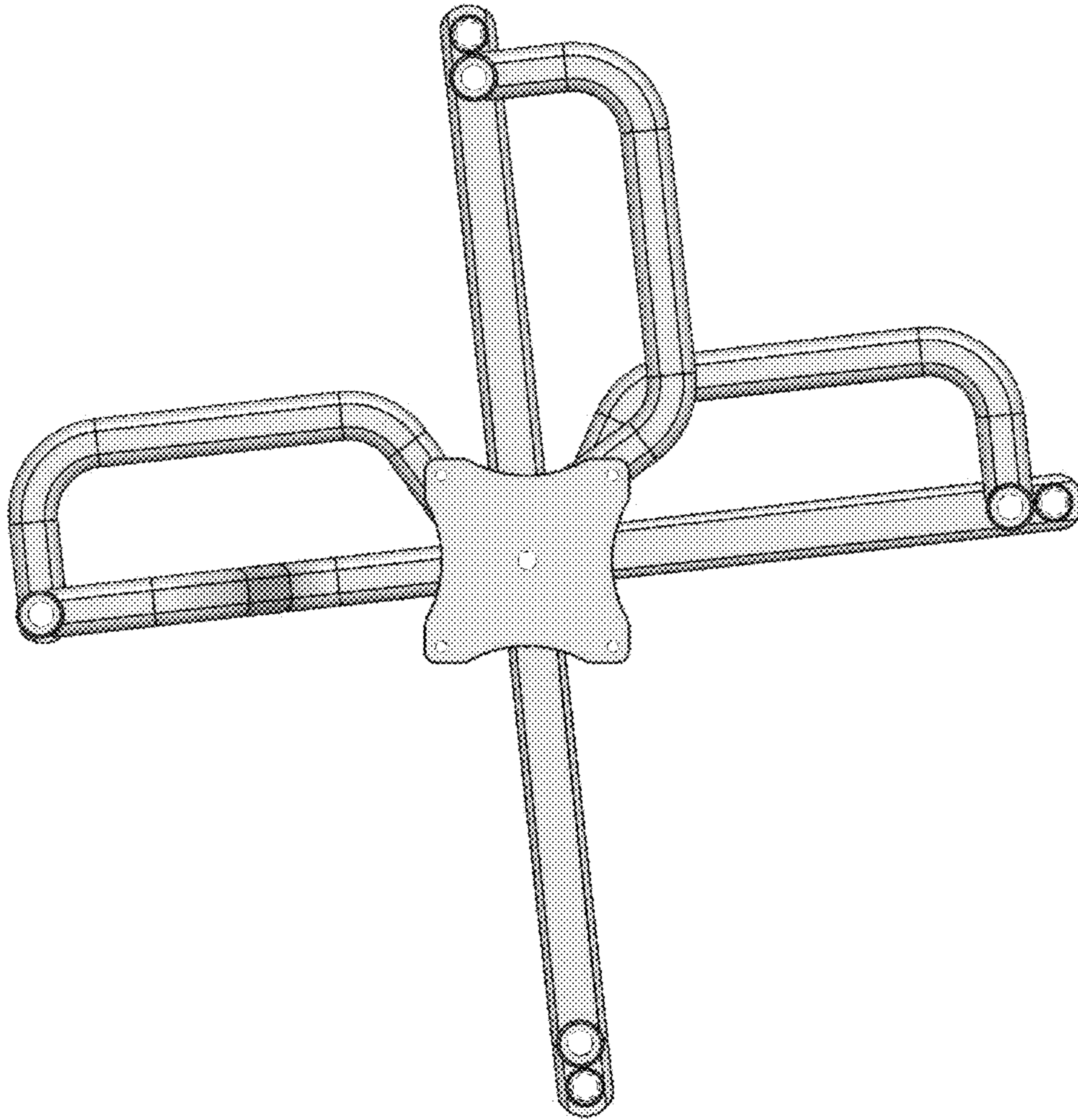


FIG. 7