



US00D961349S

(12) **United States Design Patent** (10) **Patent No.:** **US D961,349 S**
White (45) **Date of Patent:** **** Aug. 23, 2022**

(54) **BOTTLE OPENER**
(71) Applicant: **James White**, Covina, CA (US)
(72) Inventor: **James White**, Covina, CA (US)
(**) Term: **15 Years**
(21) Appl. No.: **29/766,415**
(22) Filed: **Jan. 15, 2021**
(51) **LOC (13) Cl.** **07-99**
(52) **U.S. Cl.**
USPC **D8/40**
(58) **Field of Classification Search**
USPC ... D8/18, 33, 34, 35, 36, 37, 38, 39, 40, 41,
D8/42, 43, 98
CPC B67B 7/00; B67B 7/02; B67B 7/04; B67B
7/12; B67B 7/14; B67B 7/16; B67B 7/18;
B67B 7/20; B67B 7/30; B67B 7/44
See application file for complete search history.

5,544,551 A 8/1996 Marcorin et al.
D382,182 S * 8/1997 Seber D8/55
5,791,002 A * 8/1998 Gardiner B25F 1/003
7/128
D401,133 S * 11/1998 Gardiner D8/55
5,963,999 A * 10/1999 Gardiner B25F 1/04
7/128
D450,996 S * 11/2001 Ping D8/107
6,386,069 B1 5/2002 Olivera et al.
D458,527 S * 6/2002 Ping D8/107
6,578,221 B2 * 6/2003 Ping B25F 1/003
7/128
D493,346 S * 7/2004 Ping D8/55
6,769,331 B2 * 8/2004 Berg B26B 11/003
7/128
D509,125 S * 9/2005 Ping D8/107
6,981,431 B2 1/2006 Kramer
7,150,210 B2 * 12/2006 Berg B26B 13/22
7/128
D539,623 S * 4/2007 Yu D8/40
7,490,534 B2 2/2009 Hine et al.

(Continued)

Primary Examiner — Elizabeth A. Albert
(74) *Attorney, Agent, or Firm* — Cramer Patent & Design,
PLLC; Aaron R. Cramer

(56) **References Cited**

U.S. PATENT DOCUMENTS

976,868 A * 11/1910 Graffort et al. B67B 7/18
D8/39
D58,672 S * 8/1921 Gurnett D8/39
1,466,118 A * 8/1923 Ciha B67B 7/44
7/154
2,575,652 A * 11/1951 Bovee A45D 29/18
7/128
3,389,622 A * 6/1968 Flugel B67B 7/18
7/126
4,442,735 A 4/1984 Chance et al.
4,509,784 A * 4/1985 Vollers B67B 7/18
294/99.1
4,520,696 A 6/1985 Wolze
D334,123 S * 3/1993 Barclay D8/39
5,267,366 A * 12/1993 Frazer B25F 1/04
7/128
D368,634 S * 4/1996 Frazer D8/55

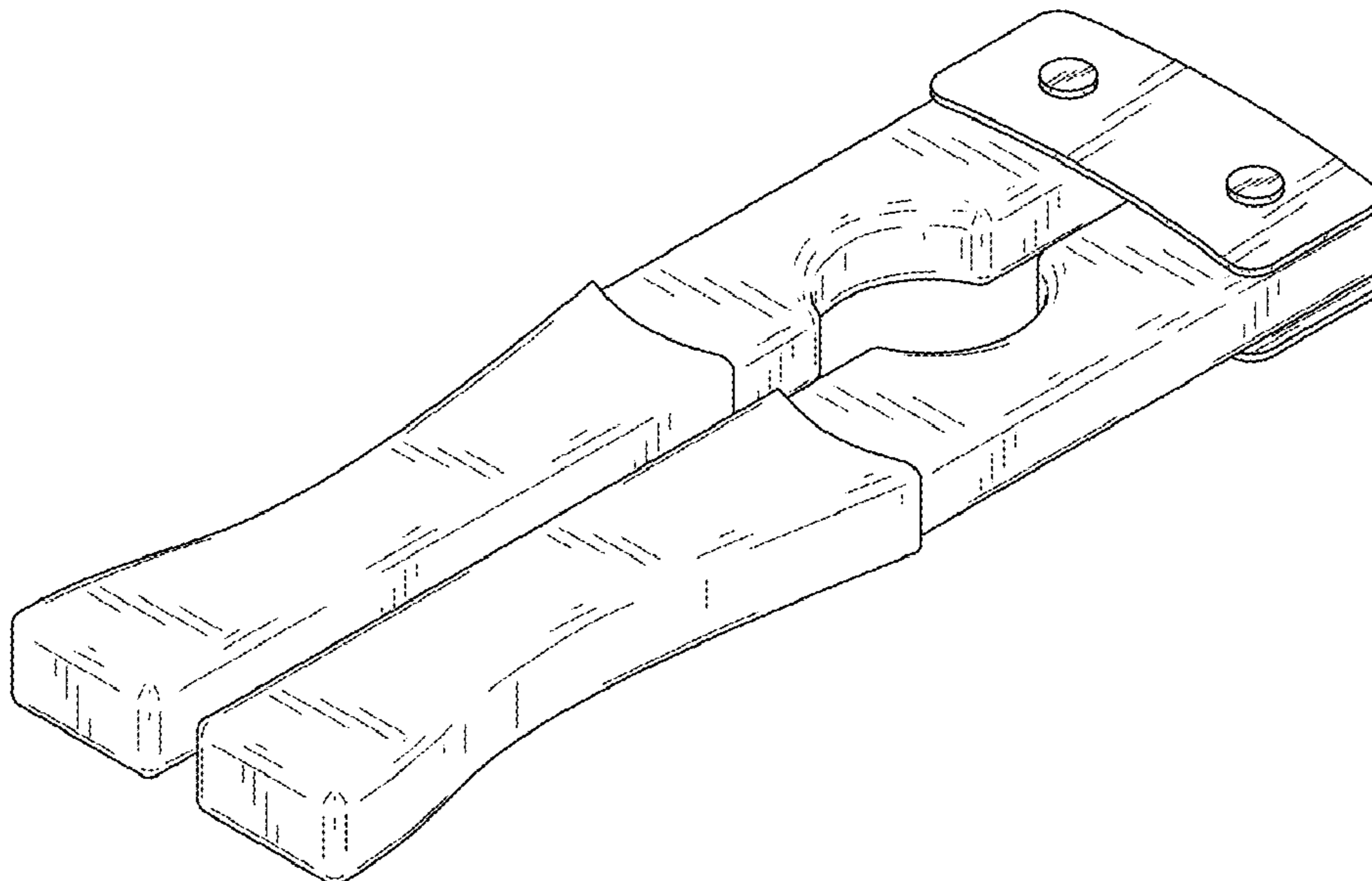
(57) **CLAIM**

The ornamental design for a bottle opener, as shown and described.

DESCRIPTION

FIG. 1 is a perspective top front right view of a bottle opener, showing my new design;
FIG. 2 is a perspective top rear left view thereof;
FIG. 3 is a front elevation view thereof;
FIG. 4 is a rear elevation view thereof;
FIG. 5 is a left elevation plan view thereof;
FIG. 6 is a right elevation view thereof;
FIG. 7 is a top plan view thereof; and,
FIG. 8 is a bottom plan view thereof.

1 Claim, 5 Drawing Sheets



(56)

References Cited

U.S. PATENT DOCUMENTS

8,001,872	B2 *	8/2011	Gorrie	B67B 7/18 269/95
D781,676	S *	3/2017	Stauffacher	D8/39
D855,426	S *	8/2019	Stauffacher	D8/39
10,414,641	B2	9/2019	Sanchez et al.	
2004/0255731	A1 *	12/2004	Berg	B25F 1/04 81/427.5
2005/0139040	A1	6/2005	Crudgington, Jr.	
2005/0177954	A1 *	8/2005	Smith	B25F 1/003 7/128

* cited by examiner

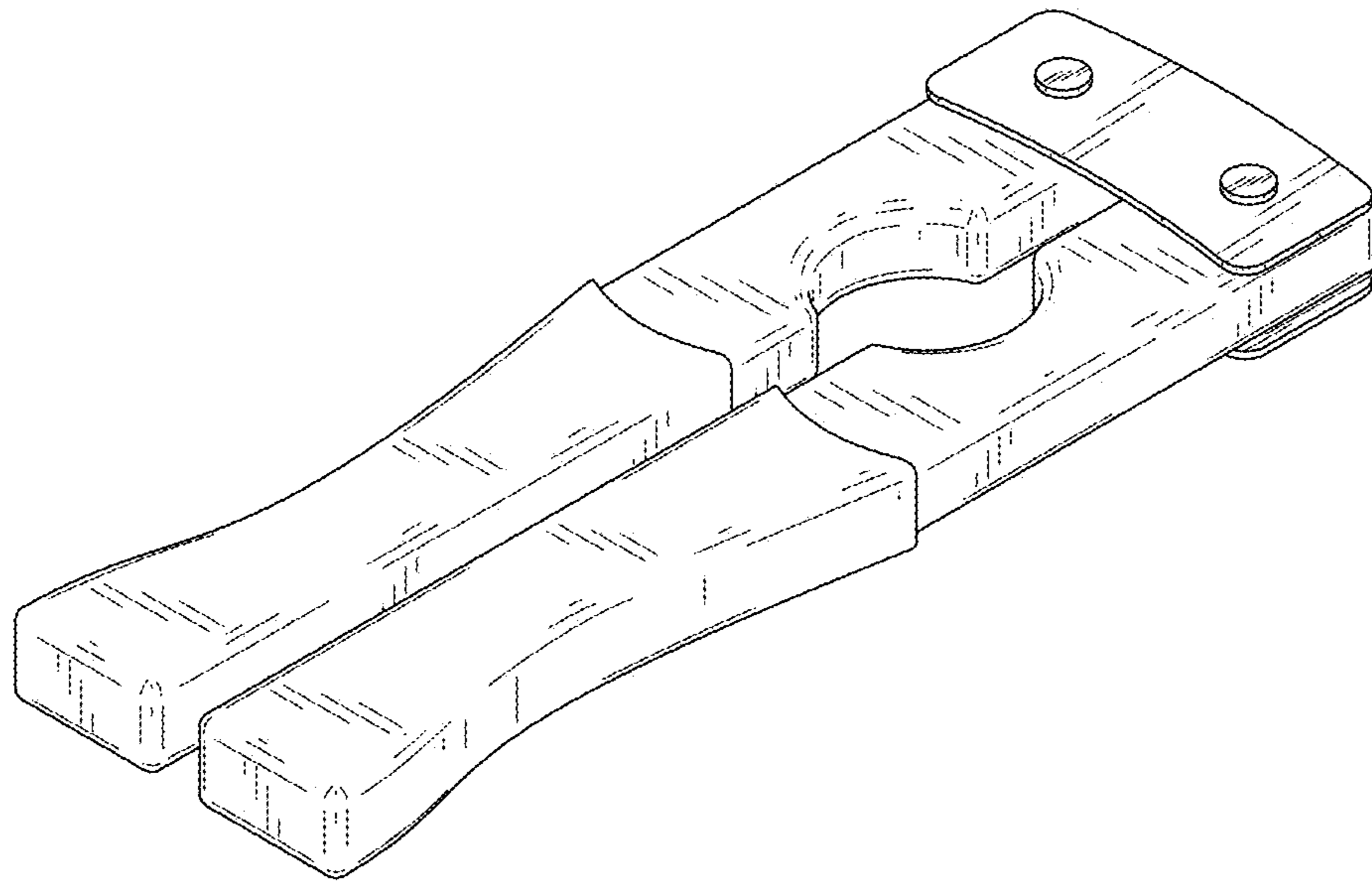


FIG. 1

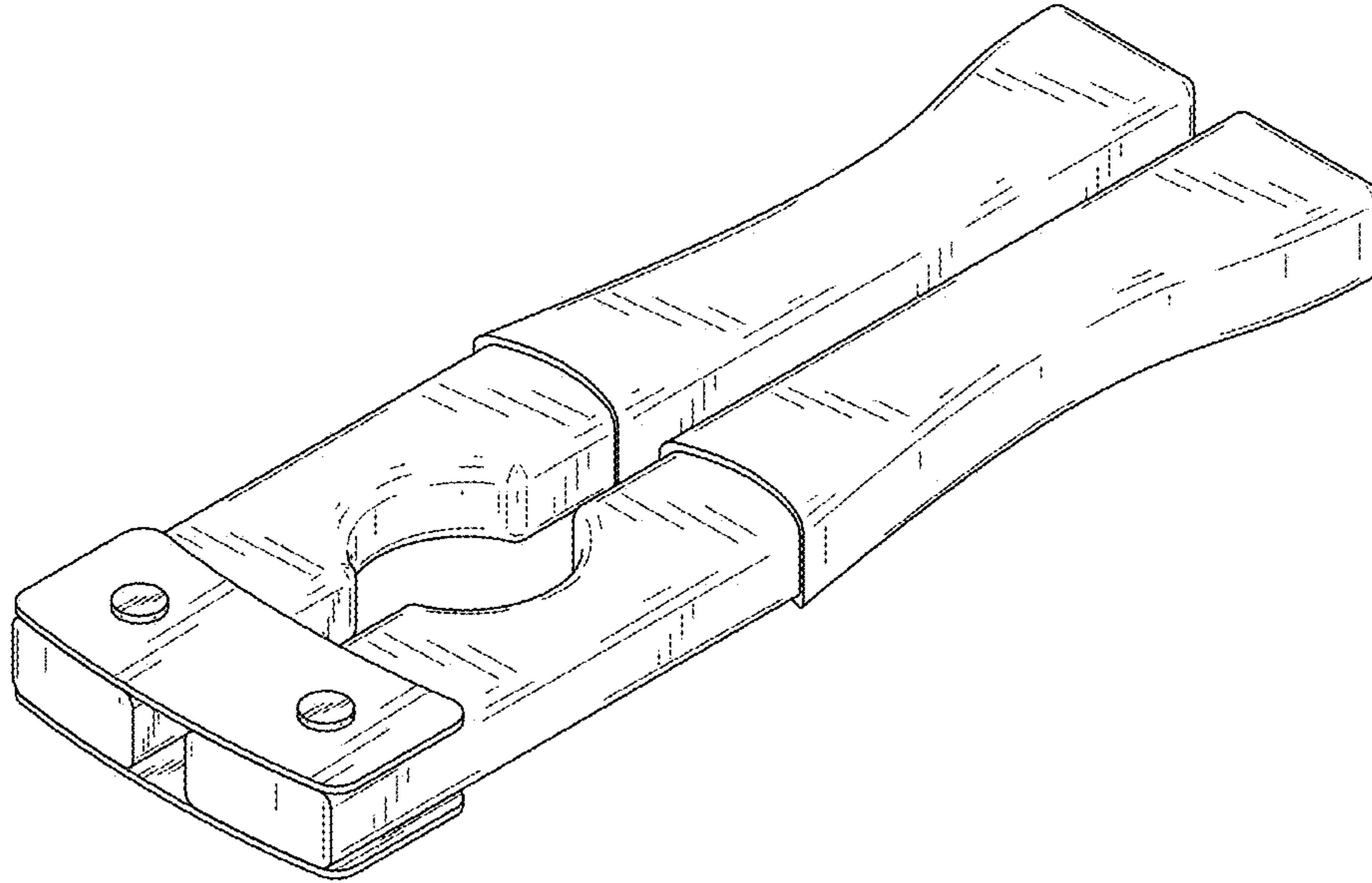


FIG. 2

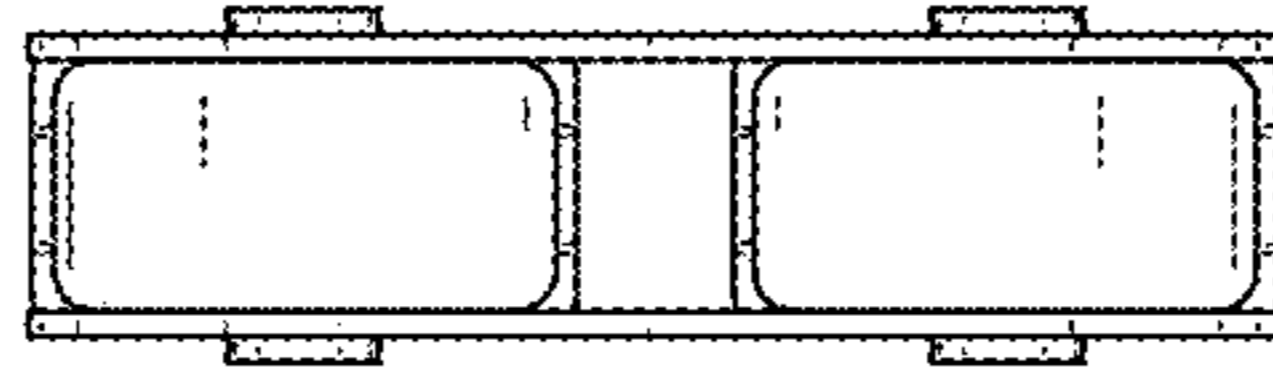


FIG. 3

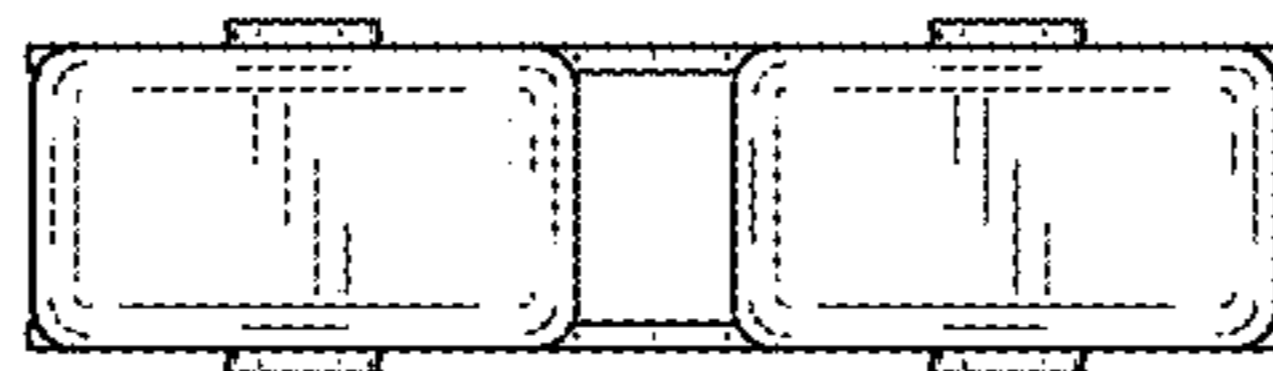


FIG. 4

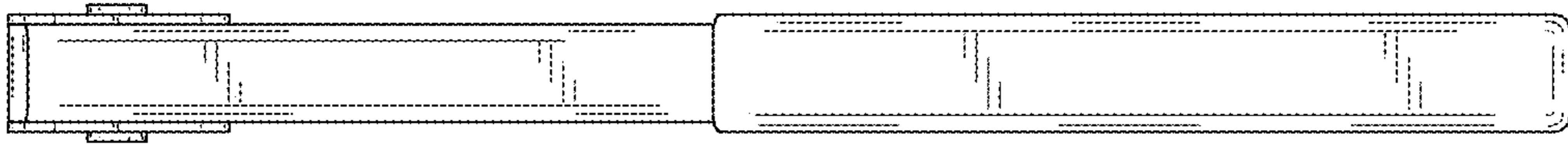


FIG. 5

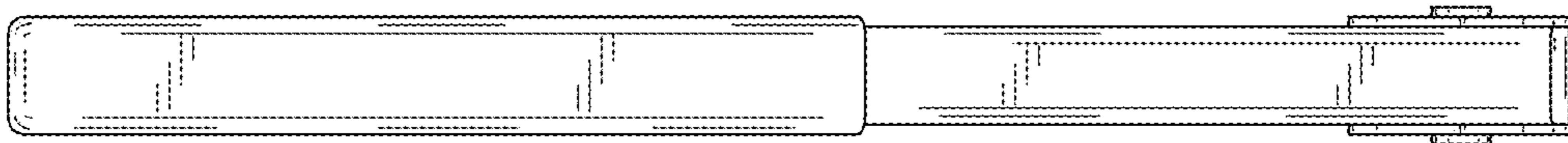


FIG. 6

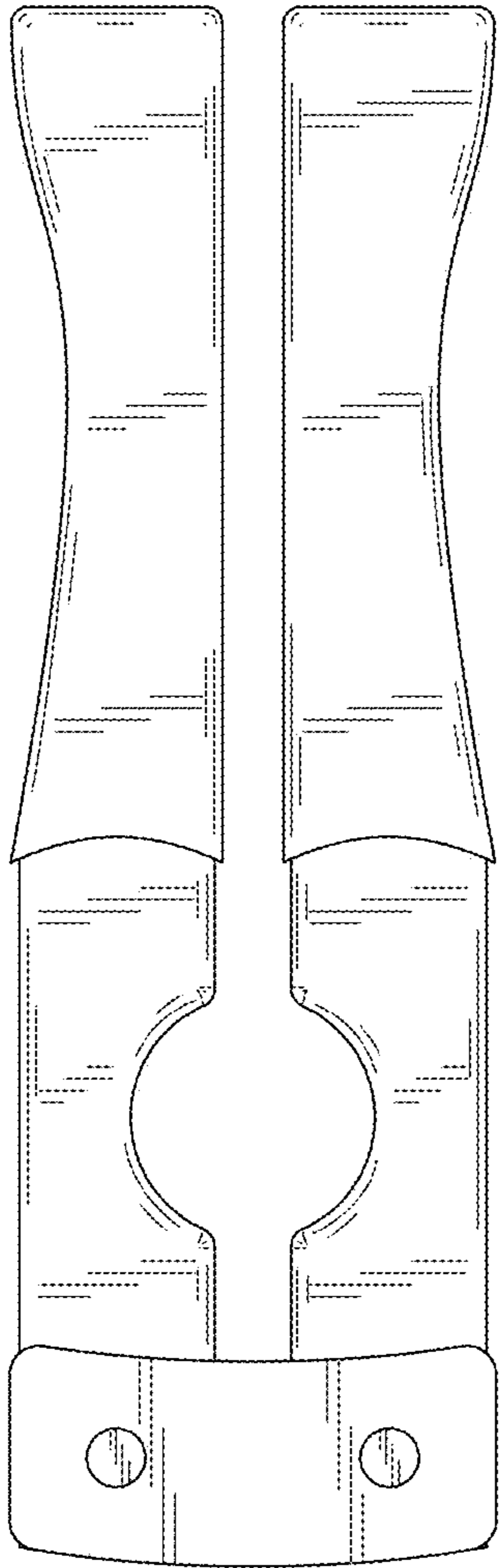


FIG. 7

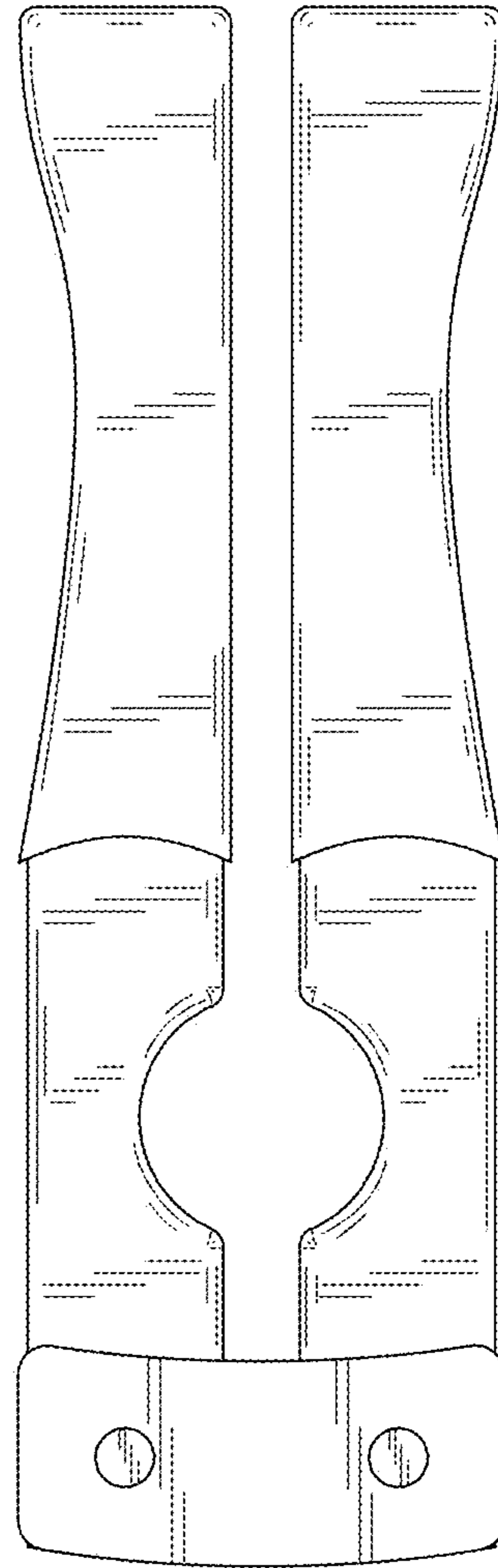


FIG. 8