



US00D961348S

(12) **United States Design Patent** (10) **Patent No.:** **US D961,348 S**
Turley (45) **Date of Patent:** **** Aug. 23, 2022**

- (54) **ADJUSTABLE SQUARE**
- (71) Applicant: **Woodpeckers, LLC**, Strongsville, OH (US)
- (72) Inventor: **Paul E. Turley**, Amherst, OH (US)
- (73) Assignee: **Woodpeckers, LLC**, Strongsville, OH (US)
- (**) Term: **15 Years**
- (21) Appl. No.: **29/832,425**
- (22) Filed: **Mar. 28, 2022**

- D883,821 S * 5/2020 Herniman D10/65
- D887,875 S * 6/2020 Mackey D10/65
- 2014/0290080 A1* 10/2014 Buzzell G01B 3/566
33/469
- 2019/0225009 A1* 7/2019 Hummel B43L 7/02

* cited by examiner

Primary Examiner — Wan Laymon
Assistant Examiner — Clint A Samuel
 (74) *Attorney, Agent, or Firm* — Sand, Sebolt & Wernow Co., LPA

Related U.S. Application Data

- (62) Division of application No. 29/731,498, filed on Apr. 15, 2020, now Pat. No. Des. 951,044.
- (51) **LOC (13) Cl.** **08-03**
- (52) **U.S. Cl.**
USPC **D8/20**
- (58) **Field of Classification Search**
USPC D8/14, 20, 40, 71, 92, 96, 98, 99, 100,
D8/101, 105, 106; D10/46, 64, 65, 71,
D10/74
CPC B43L 7/10; B43L 7/12; B43L 7/14; B23D
61/123; G01B 3/566
See application file for complete search history.

References Cited

U.S. PATENT DOCUMENTS

- 2,448,440 A * 8/1948 King G01B 3/566
D10/62
- 5,339,530 A * 8/1994 Wright G01B 3/566
33/379
- 6,785,976 B1 * 9/2004 Morehouse B43L 7/005
33/495
- D848,872 S * 5/2019 Hummel D10/65
- D866,363 S * 11/2019 Mackey D10/65

(57) **CLAIM**

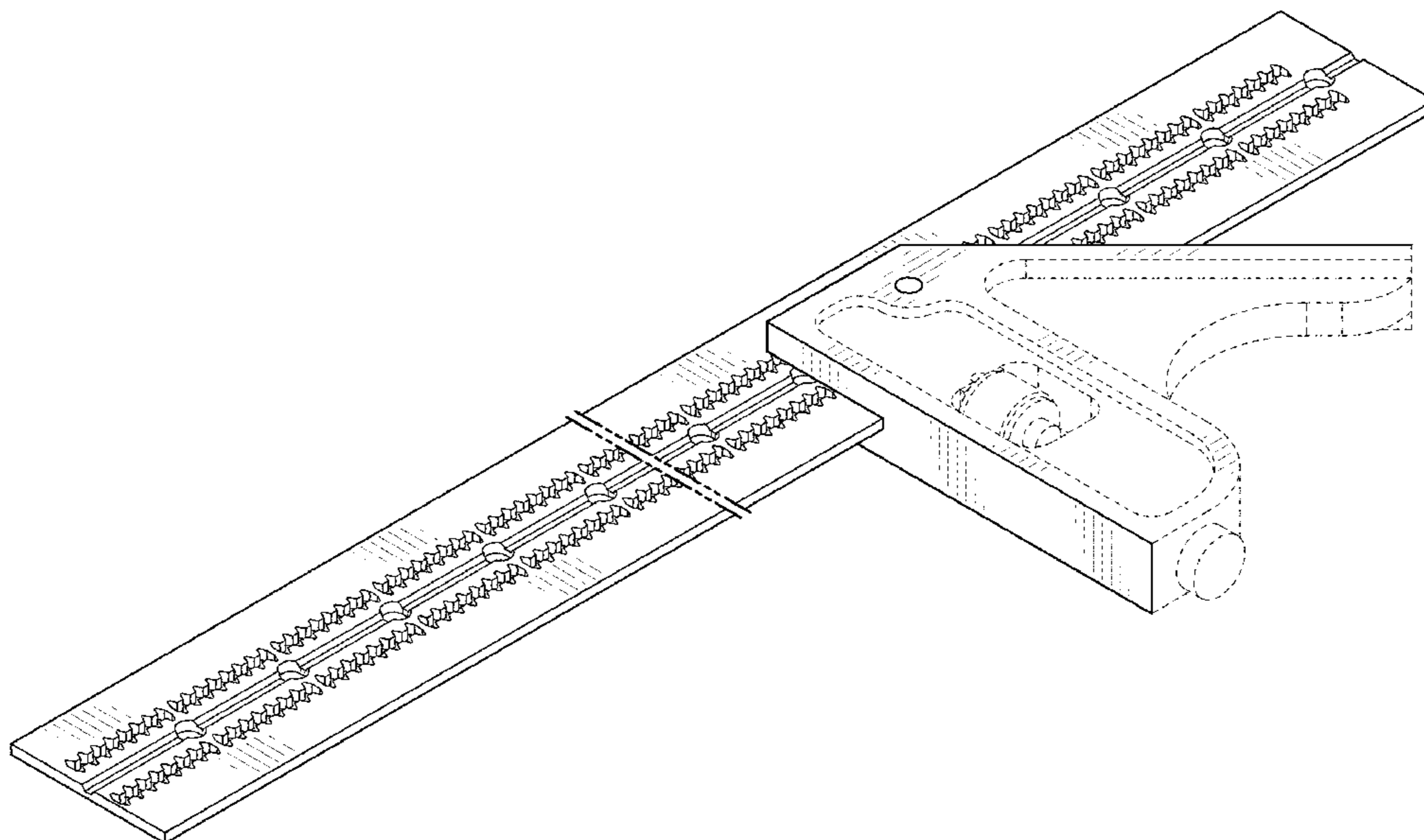
The ornamental design for an adjustable square, as shown and described.

DESCRIPTION

FIG. 1 is a front, top, right side isometric view of a first embodiment of an adjustable square in accordance with the design;
 FIG. 2 is a front elevation view of the adjustable square of FIG. 1;
 FIG. 3 is a rear elevation view of the adjustable square of FIG. 1;
 FIG. 4 is a right side elevation view of the adjustable square of FIG. 1;
 FIG. 5 is a left side elevation view of the adjustable square of FIG. 1;
 FIG. 6 is a top plan view of the adjustable square of FIG. 1; and,
 FIG. 7 is a bottom plan view of the adjustable square of FIG. 1.

The adjustable square is shown with a symbolic break in its length. The appearance of any portion of the article between the break lines forms no part of the claimed design. The broken line showing in the drawings is included for the purpose of illustrating portions of the adjustable square and forms no part of the claimed design.

1 Claim, 4 Drawing Sheets



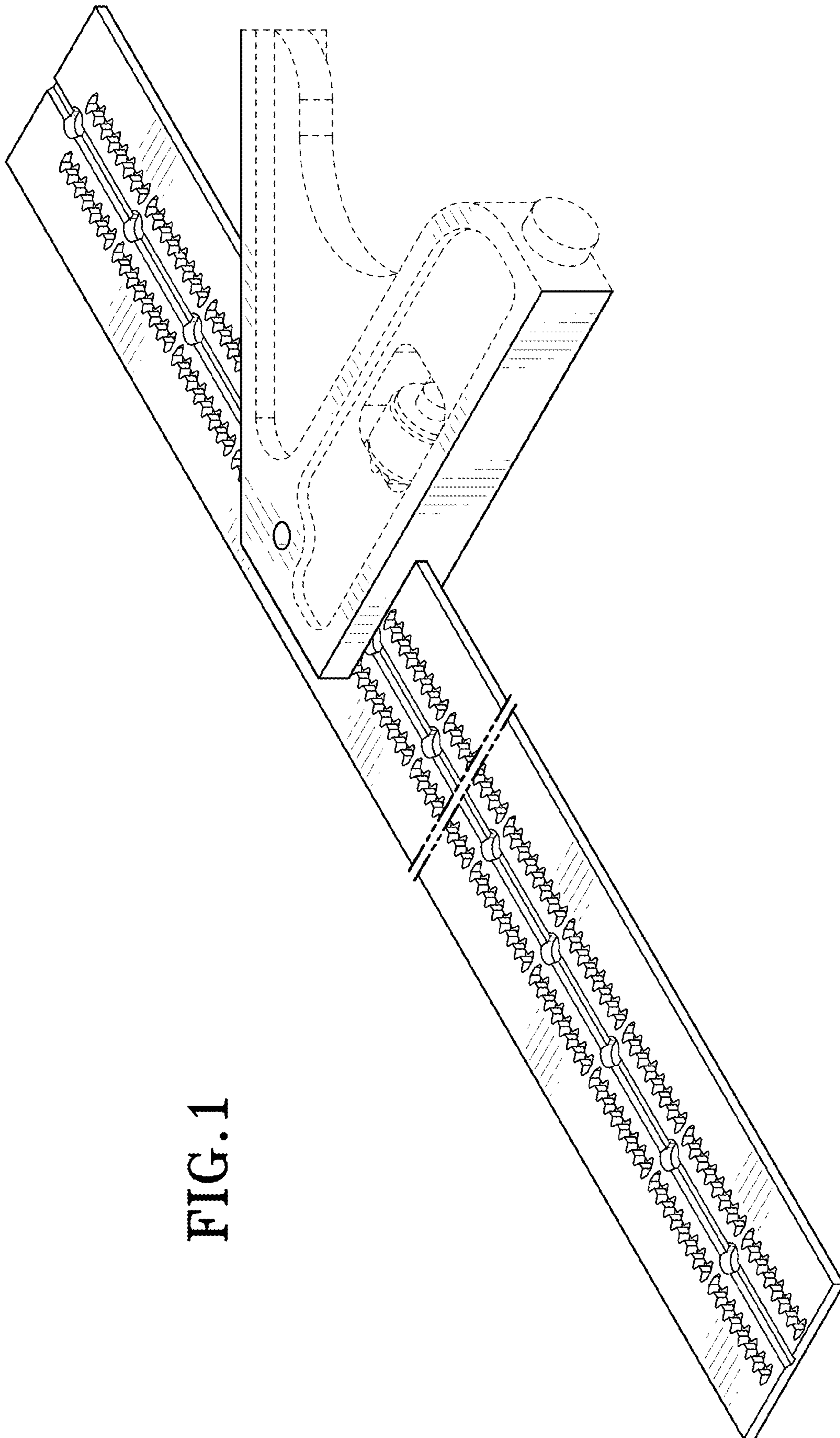


FIG. 1

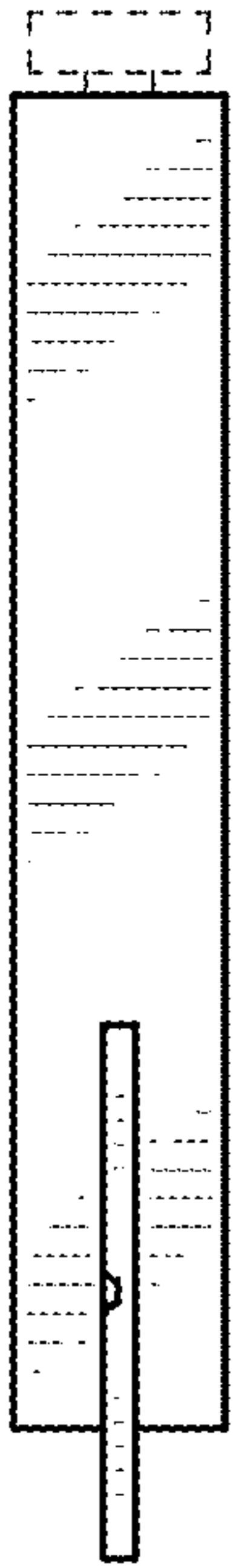


FIG. 2



FIG. 3

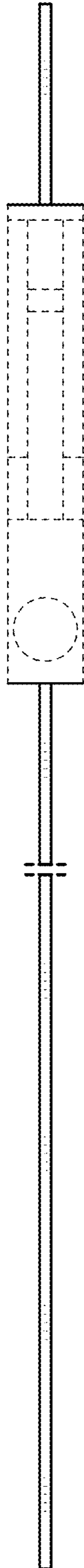


FIG. 4

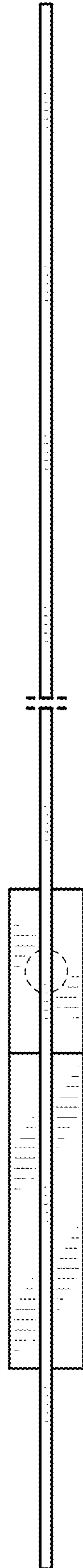


FIG. 5

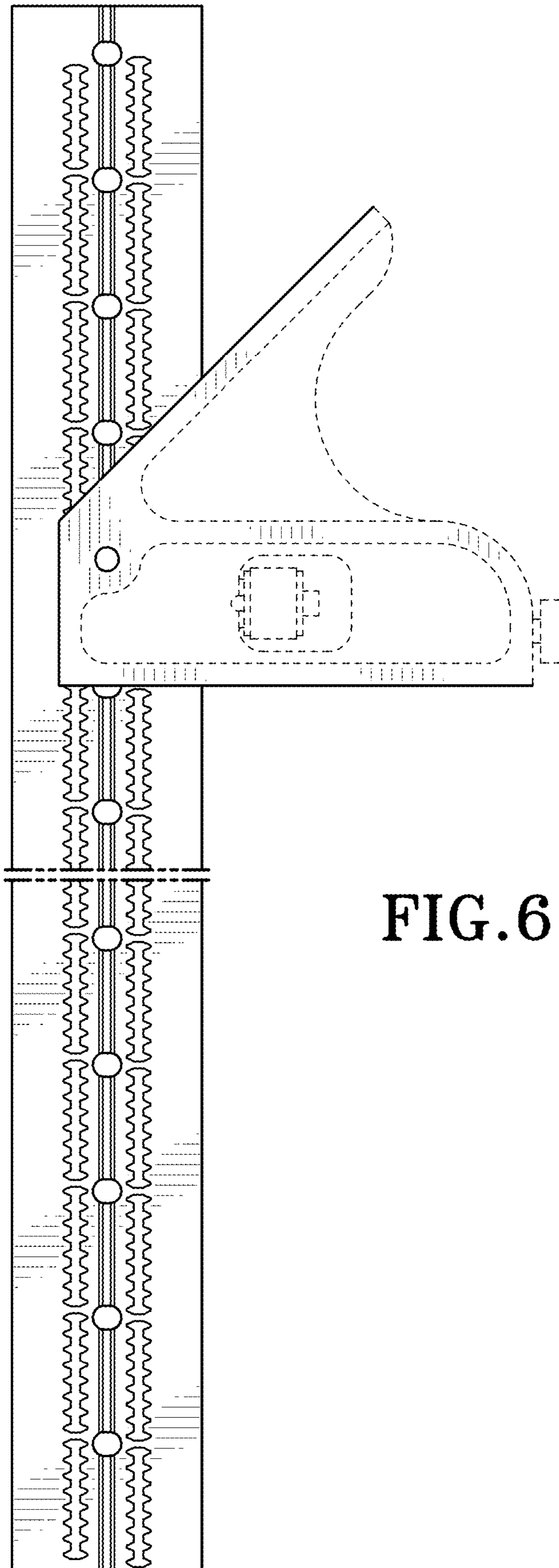


FIG. 6

