



US00D961346S

(12) **United States Design Patent**
Zimmer

(10) **Patent No.:** **US D961,346 S**

(45) **Date of Patent:** **** Aug. 23, 2022**

(54) **WRENCH**

(71) Applicant: **Trent Zimmer**, Houma, LA (US)

(72) Inventor: **Trent Zimmer**, Houma, LA (US)

(**) Term: **15 Years**

(21) Appl. No.: **29/748,916**

(22) Filed: **Sep. 1, 2020**

(51) **LOC (13) Cl.** **08-05**

(52) **U.S. Cl.**

USPC **D8/17; D8/21**

(58) **Field of Classification Search**

USPC D8/105, 14, 17, 21; D22/108, 199

CPC B25B 13/04; B25B 13/48; B25F 1/006;

B25F 1/02; F41A 35/00

See application file for complete search history.

(56) **References Cited**

U.S. PATENT DOCUMENTS

1,640,383	A *	8/1927	Arthur	B25B 13/04
					81/176.15
D104,869	S *	6/1937	McNaught	81/124.4
D245,548	S *	8/1977	Morgan	D15/78
D548,552	S *	8/2007	Elkaim	F41A 35/00
					D22/199
D598,723	S *	8/2009	Cheng	D8/17
D601,393	S *	10/2009	Cui	D8/17
D666,883	S *	9/2012	Howard	F41A 35/00
					D8/19
D689,351	S *	9/2013	Webb, Jr.	D8/27
D703,502	S *	4/2014	Cheng	D8/21
D725,451	S *	3/2015	Mayberry	D8/21
D726,517	S *	4/2015	Fischer	D8/17
D728,333	S *	5/2015	Sui	D8/21
D742,706	S *	11/2015	Sui	D8/21
D772,028	S *	11/2016	Tangreen	D8/17
D780,550	S *	3/2017	Manor	D8/105
D781,125	S *	3/2017	Manor	D8/105

D803,020	S *	11/2017	Cheng	D8/21
D805,865	S *	12/2017	Sui	D8/21
D818,328	S *	5/2018	Li	D8/21
D821,531	S *	6/2018	Hensley	D22/108
D832,673	S *	11/2018	Berman	D8/105
D837,619	S *	1/2019	George	D8/18
D878,890	S *	3/2020	Riehl	D8/16
D887,811	S *	6/2020	Adelman	D8/105
D893,663	S *	8/2020	Hensley	D22/108
D900,568	S *	11/2020	Zimmer	D8/21
D911,136	S *	2/2021	Su	D8/23
D918,691	S *	5/2021	Diamond	D8/45
D918,692	S *	5/2021	Adelman	D8/356
D926,547	S *	8/2021	Ichikawa	D8/71
D927,954	S *	8/2021	Pfeiffer	D8/31
D932,855	S *	10/2021	Brahmbhatt	D8/17
D937,059	S *	11/2021	Shi	D8/28
D949,659	S *	4/2022	Hillman	D8/21

(Continued)

Primary Examiner — Janice Hallmark

(74) *Attorney, Agent, or Firm* — Asgaard Patent Services, LLC; F. Wayne Thompson, Jr.

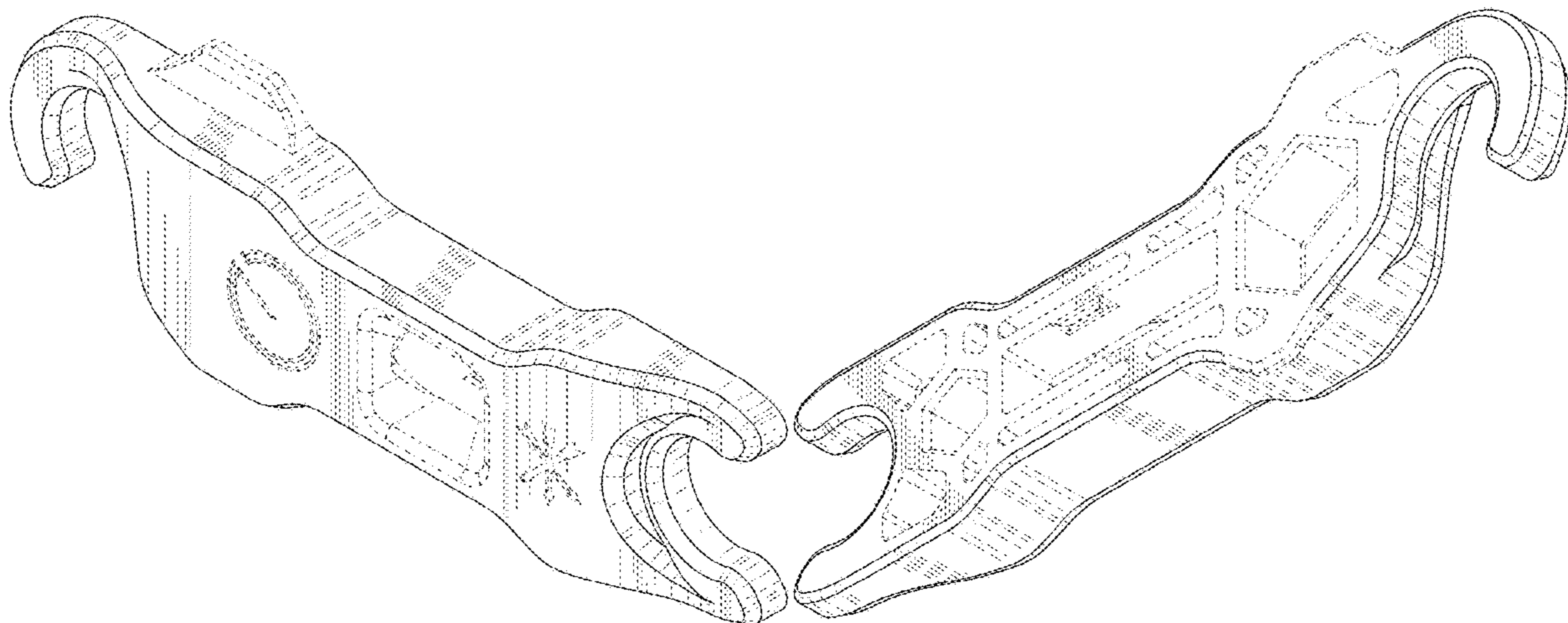
(57) **CLAIM**

The ornamental design for a wrench, as shown and described.

DESCRIPTION

FIG. 1 is a top side isometric view of a wrench;
FIG. 2 is a bottom side isometric view of the wrench shown in FIG. 1;
FIG. 3 is a front view of the wrench shown in FIG. 1;
FIG. 4 is a right side view of the wrench shown in FIG. 1;
FIG. 5 is a rear view of the wrench shown in FIG. 1;
FIG. 6 is a left side view of the wrench shown in FIG. 1;
FIG. 7 is a top view of the wrench shown in FIG. 1; and,
FIG. 8 is a bottom view of the wrench shown in FIG. 1.
The broken lines represent portions of the wrench that form no part of the claimed design.

1 Claim, 6 Drawing Sheets



(56)

References Cited

U.S. PATENT DOCUMENTS

D951,749 S * 5/2022 Hillman D8/21
D951,750 S * 5/2022 Hillman D8/21
D952,433 S * 5/2022 Del Rossa D8/71
2012/0125162 A1* 5/2012 Nguyen B25B 13/48
81/119
2015/0198405 A1* 7/2015 Keng F41C 27/00
42/108
2019/0285377 A1* 9/2019 Jacobson B25B 13/48

* cited by examiner

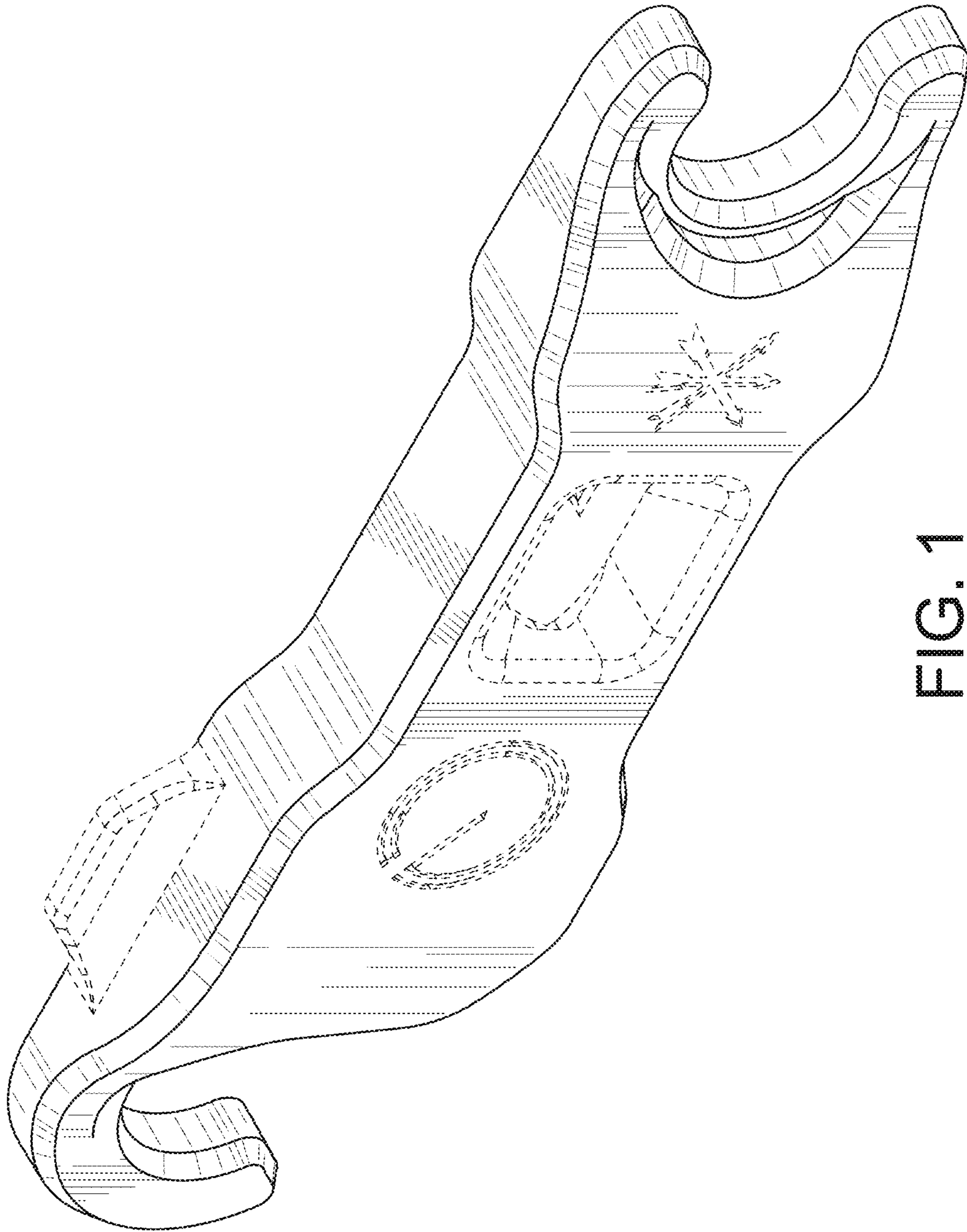


FIG. 1

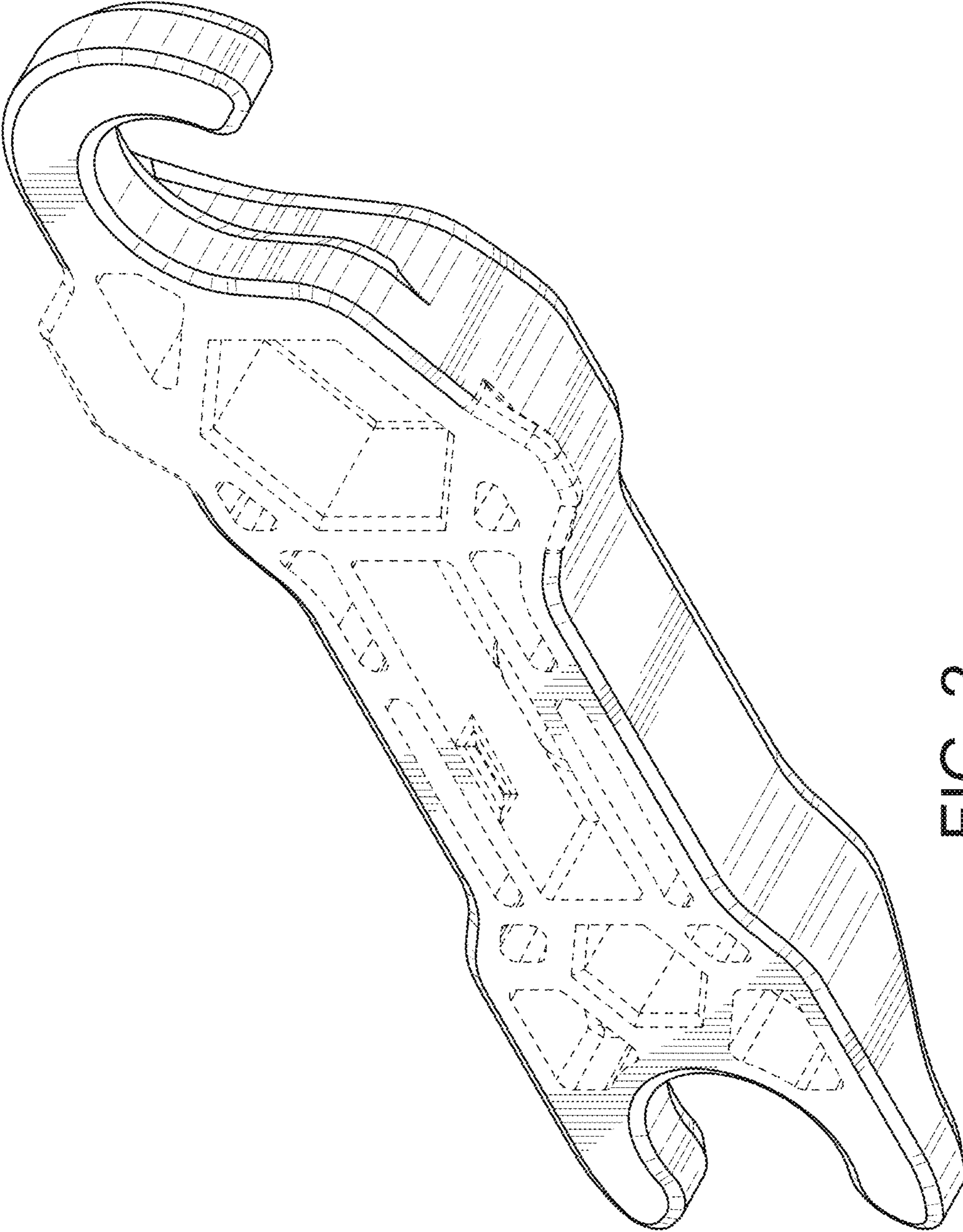


FIG. 2

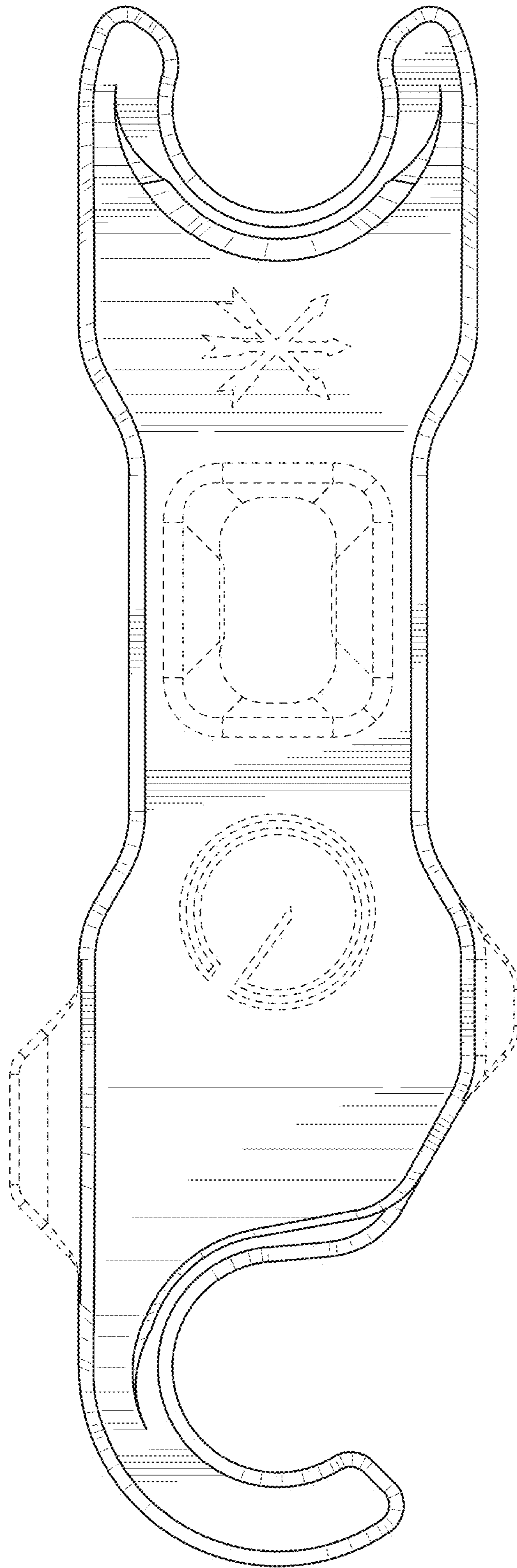


FIG. 3

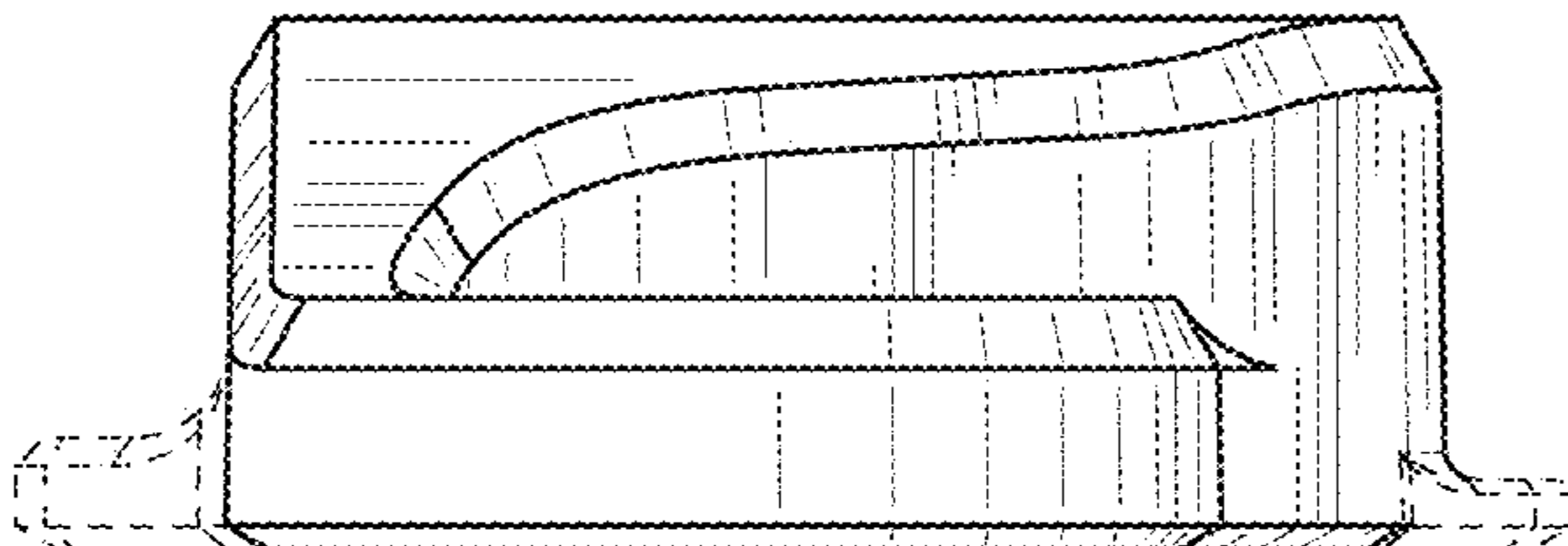


FIG. 6

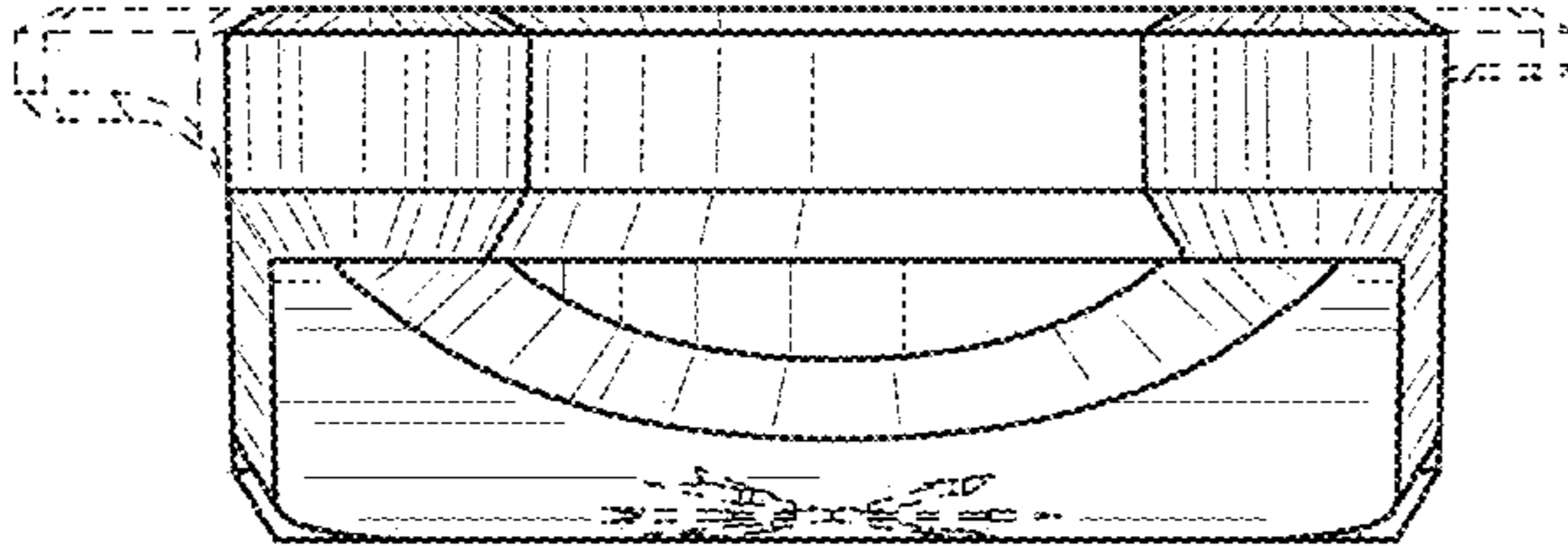


FIG. 4

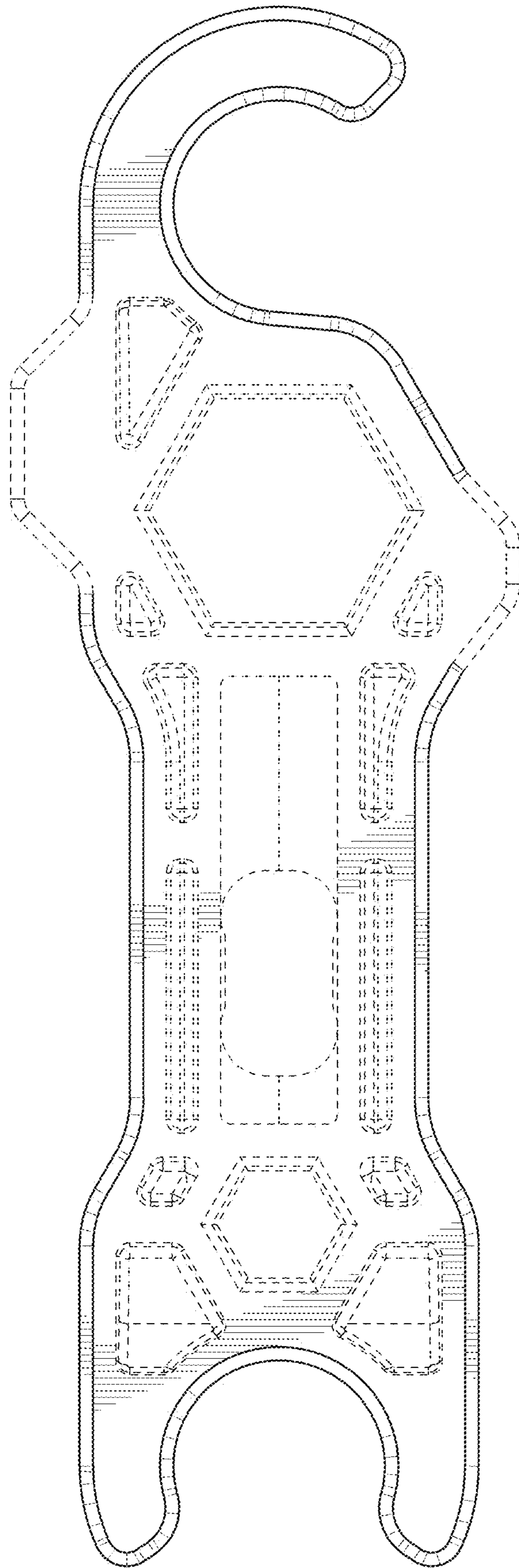


FIG. 5

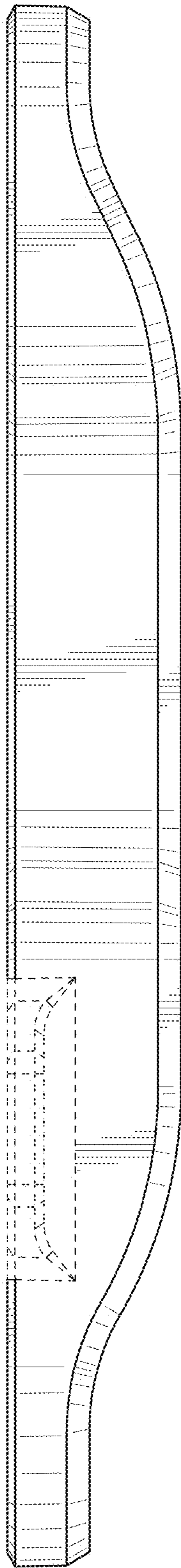


FIG. 7

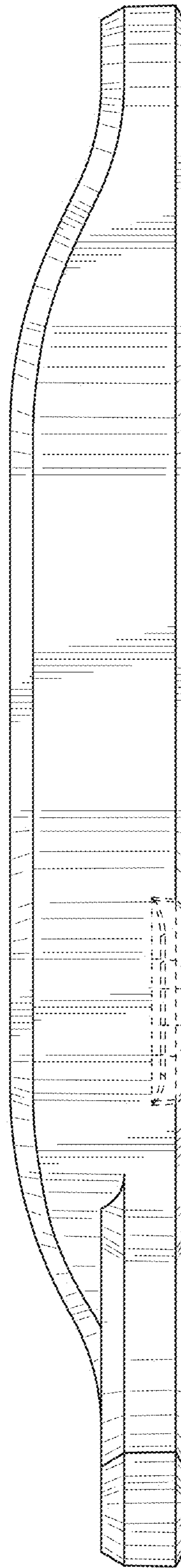


FIG. 8