



US00D961345S

(12) **United States Design Patent** (10) **Patent No.:** **US D961,345 S**  
**Huang** (45) **Date of Patent:** **\*\* Aug. 23, 2022**

(54) **TOOL CONNECTOR**  
(71) Applicant: **SHIFUKANG INDUSTRIAL.CO., LTD.**, Taichung (TW)  
(72) Inventor: **Shang-Yuan Huang**, Taichung (TW)  
(73) Assignee: **SHIFUKANG INDUSTRIAL. CO., LTD.**, Taichung (TW)  
(\*\*) Term: **15 Years**  
(21) Appl. No.: **29/757,745**  
(22) Filed: **Nov. 9, 2020**  
(51) **LOC (13) Cl.** ..... **08-05**  
(52) **U.S. Cl.**  
USPC ..... **D8/14**  
(58) **Field of Classification Search**  
USPC ..... D8/14, 70, 382, 349, 354; D23/262  
CPC .. B25F 27/02; B25F 27/023; Y10T 29/53891;  
Y10T 29/53861; Y10T 29/5387  
See application file for complete search history.

D602,128 S \* 10/2009 Williams ..... D23/262  
7,770,277 B2 \* 8/2010 Wridt ..... B25B 27/023  
29/261  
D654,150 S \* 2/2012 Bonhag ..... D23/259  
8,745,832 B2 \* 6/2014 Barrios ..... B25B 27/023  
29/259  
D719,000 S \* 12/2014 Palmer ..... B62B 1/12  
D8/73  
9,469,017 B2 \* 10/2016 Seith ..... B25B 13/06  
D780,558 S \* 3/2017 Mouthaan ..... D8/354  
D837,346 S \* 1/2019 Lee ..... D23/262  
D859,942 S \* 9/2019 Lopez ..... D8/25  
D867,880 S \* 11/2019 Sacchetti ..... D9/440  
D890,925 S \* 7/2020 Doubet ..... D24/129  
D923,442 S \* 6/2021 Hsieh ..... D8/29  
D923,788 S \* 6/2021 Sweitzer ..... D24/146  
D943,407 S \* 2/2022 Buckley ..... D8/399  
2006/0053609 A1 \* 3/2006 Wridt ..... B25B 27/023  
29/261  
2012/0102704 A1 \* 5/2012 Barrios ..... B25B 27/023  
29/256

\* cited by examiner

*Primary Examiner* — Philip S Hyder  
(74) *Attorney, Agent, or Firm* — Muncy, Geissler, Olds & Lowe, P.C.

(56) **References Cited**  
U.S. PATENT DOCUMENTS

4,747,590 A \* 5/1988 Yang ..... B25B 5/003  
269/45  
4,753,425 A \* 6/1988 Yang ..... B25B 5/142  
269/45  
4,989,312 A \* 2/1991 Maddalena ..... B25B 27/023  
29/259  
D344,226 S \* 2/1994 Glynn ..... D8/73  
5,349,736 A \* 9/1994 Rubino ..... B25B 27/023  
29/259  
D368,304 S \* 3/1996 Morrison ..... D23/262  
6,665,921 B2 \* 12/2003 Winterfeldt ..... B25B 27/023  
29/259  
7,322,087 B1 \* 1/2008 Hu ..... B25B 27/062  
29/261

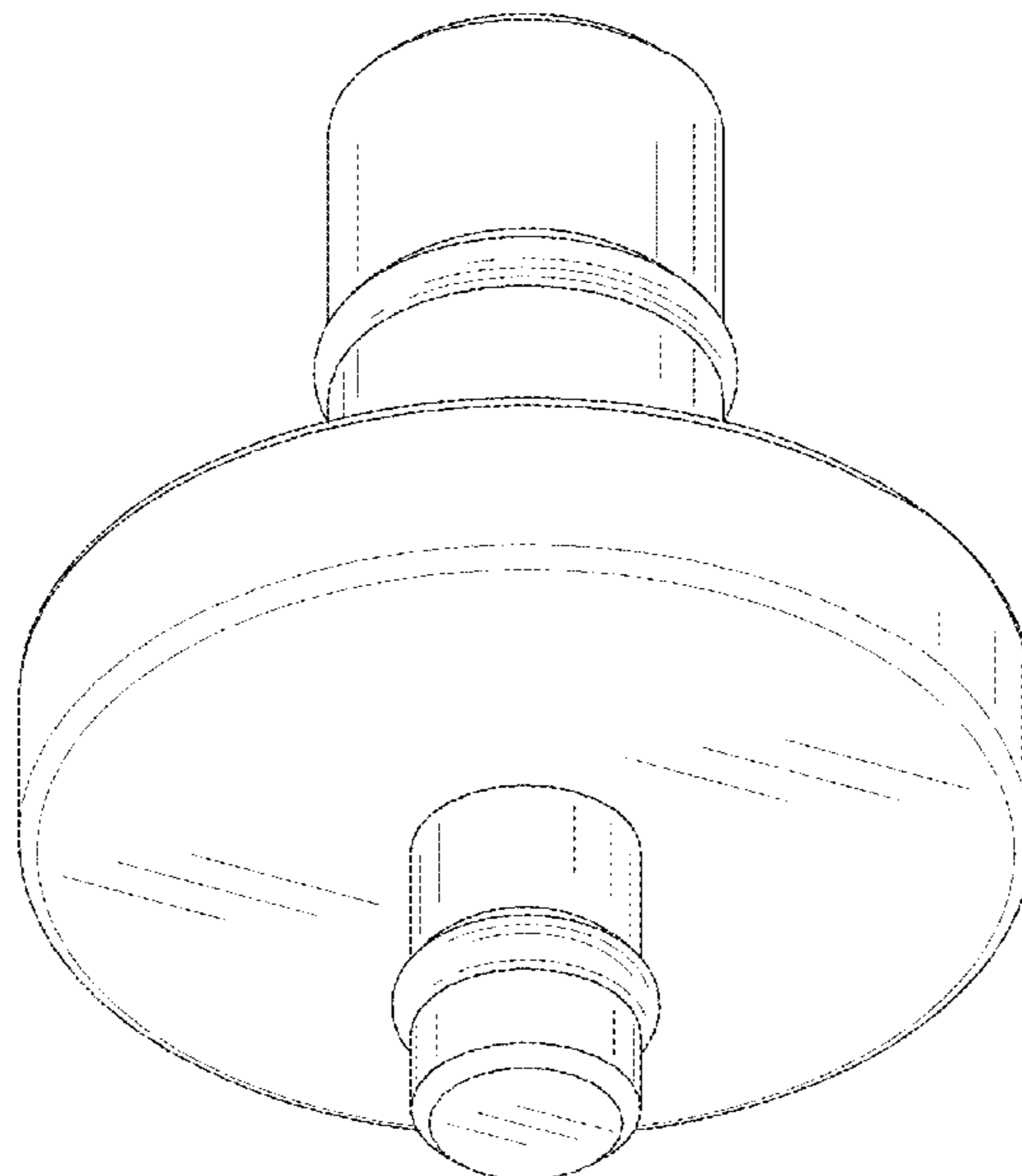
(57) **CLAIM**

I claim the ornamental design for a tool connector, as shown and described.

**DESCRIPTION**

FIG. 1 is a bottom, front, right perspective view of a tool connector showing my new design;  
FIG. 2 is a front elevational view thereof;  
FIG. 3 is a rear elevational view thereof;  
FIG. 4 is a left side view thereof;  
FIG. 5 is a right side view thereof;  
FIG. 6 is a top plan view thereof; and,  
FIG. 7 is a bottom plan view.

**1 Claim, 7 Drawing Sheets**



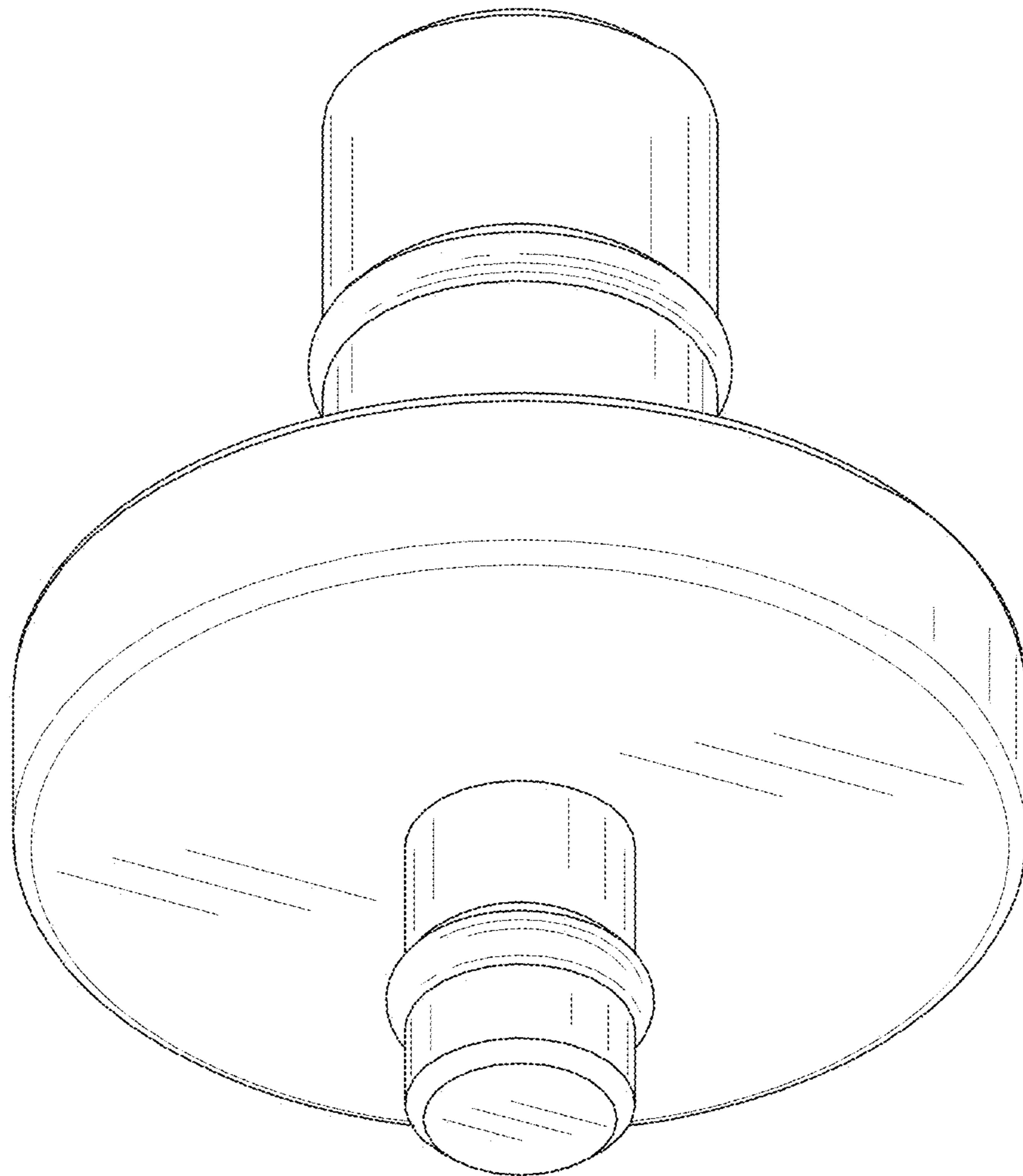


FIG. 1

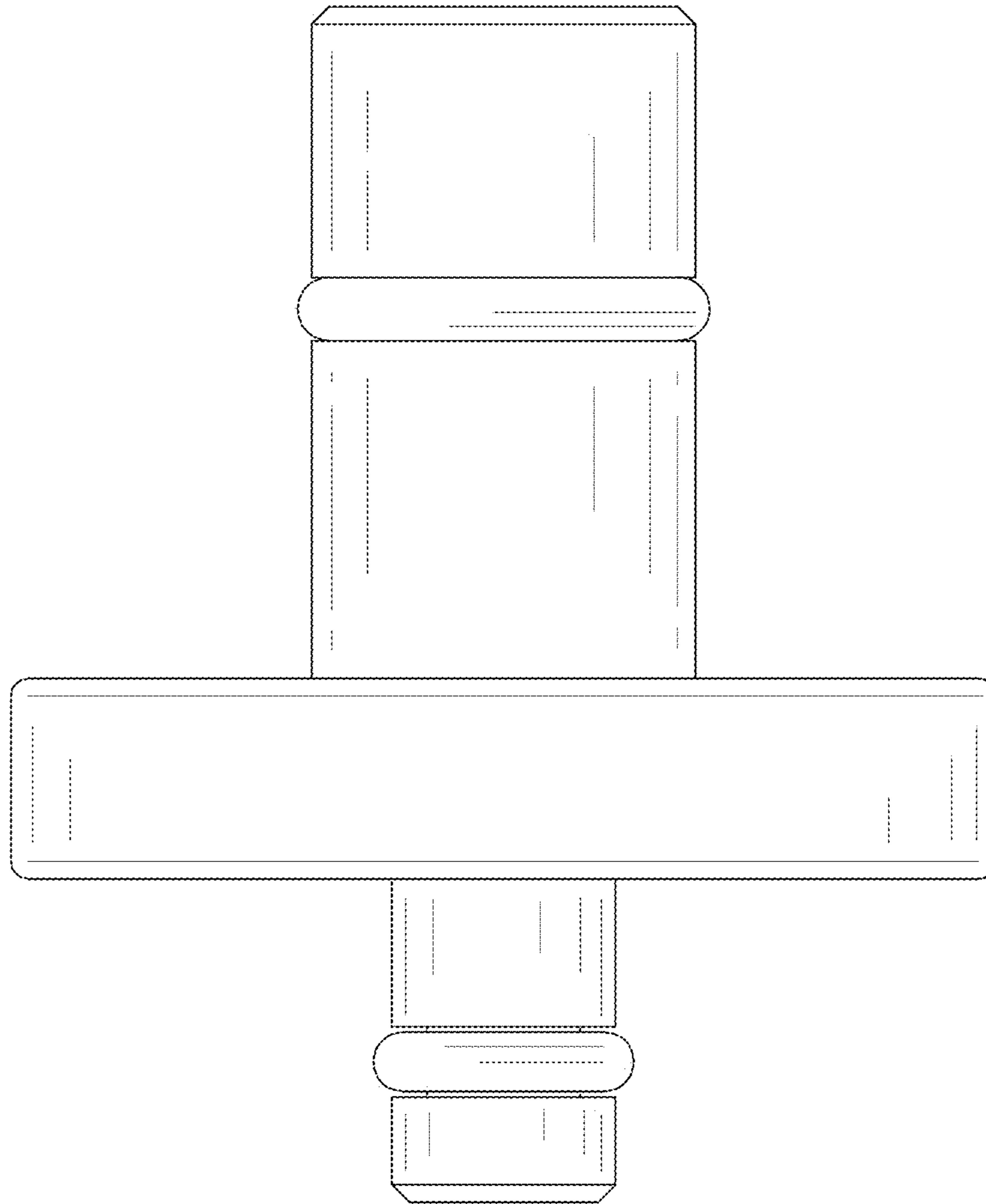


FIG. 2

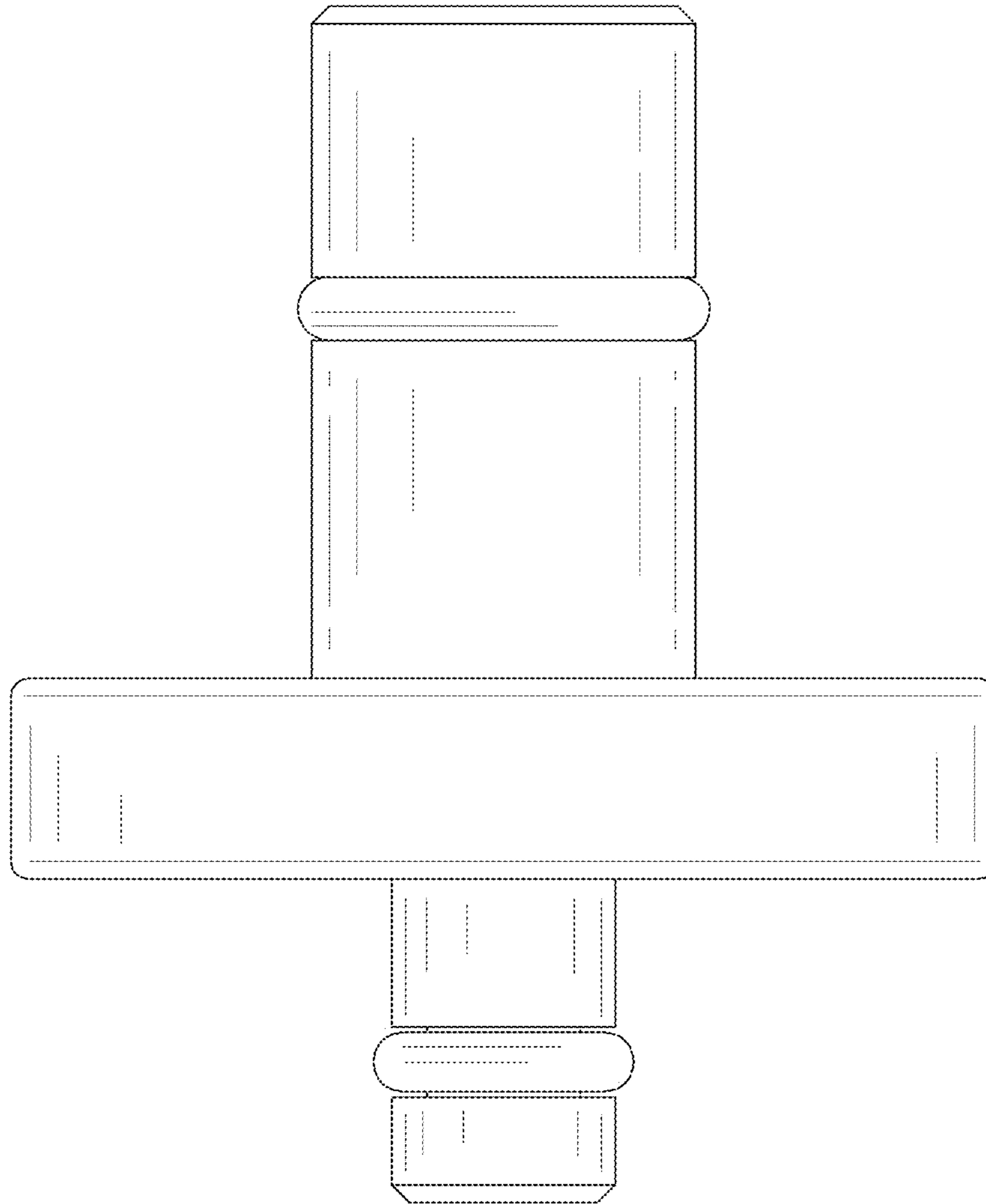


FIG. 3

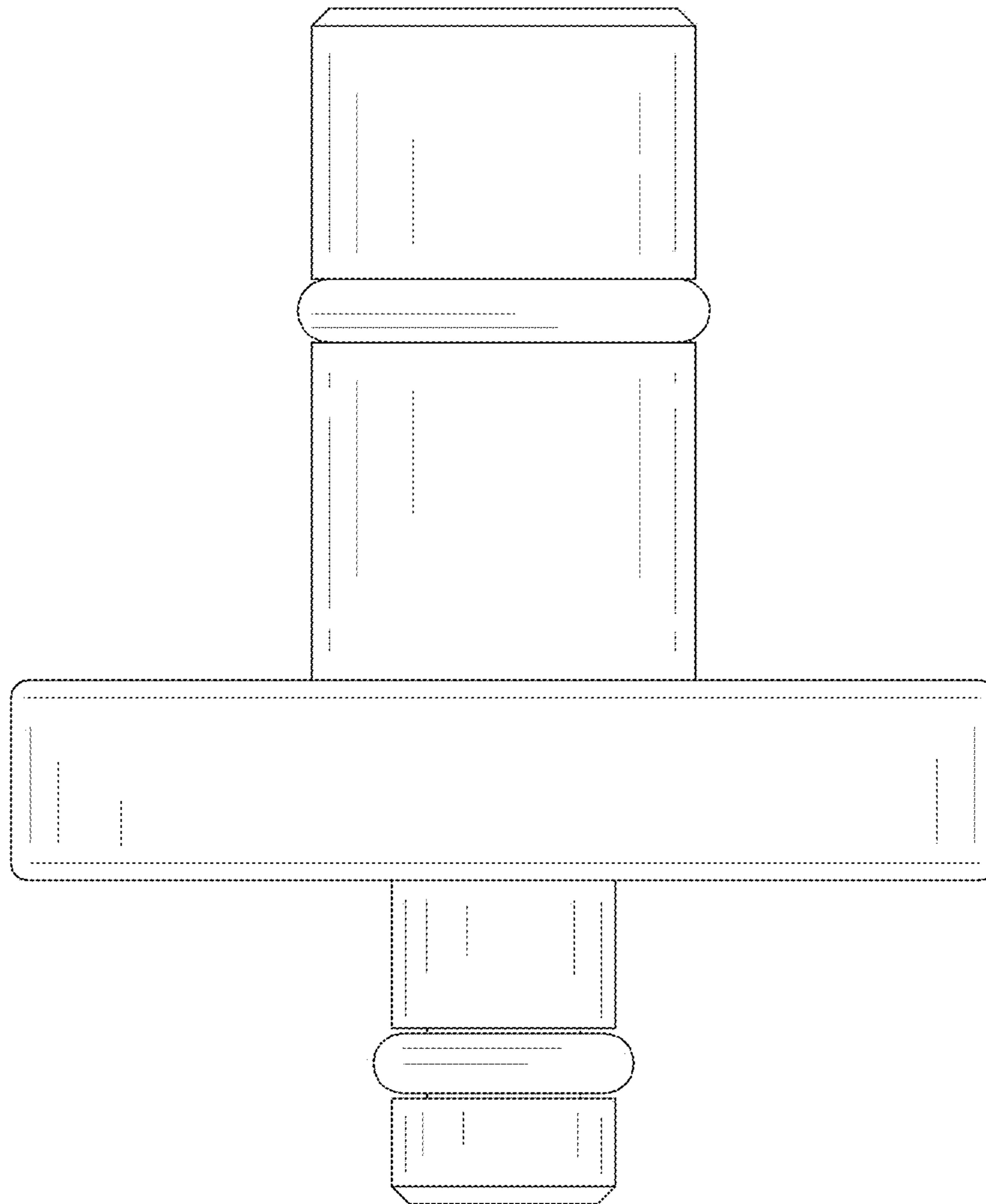


FIG. 4

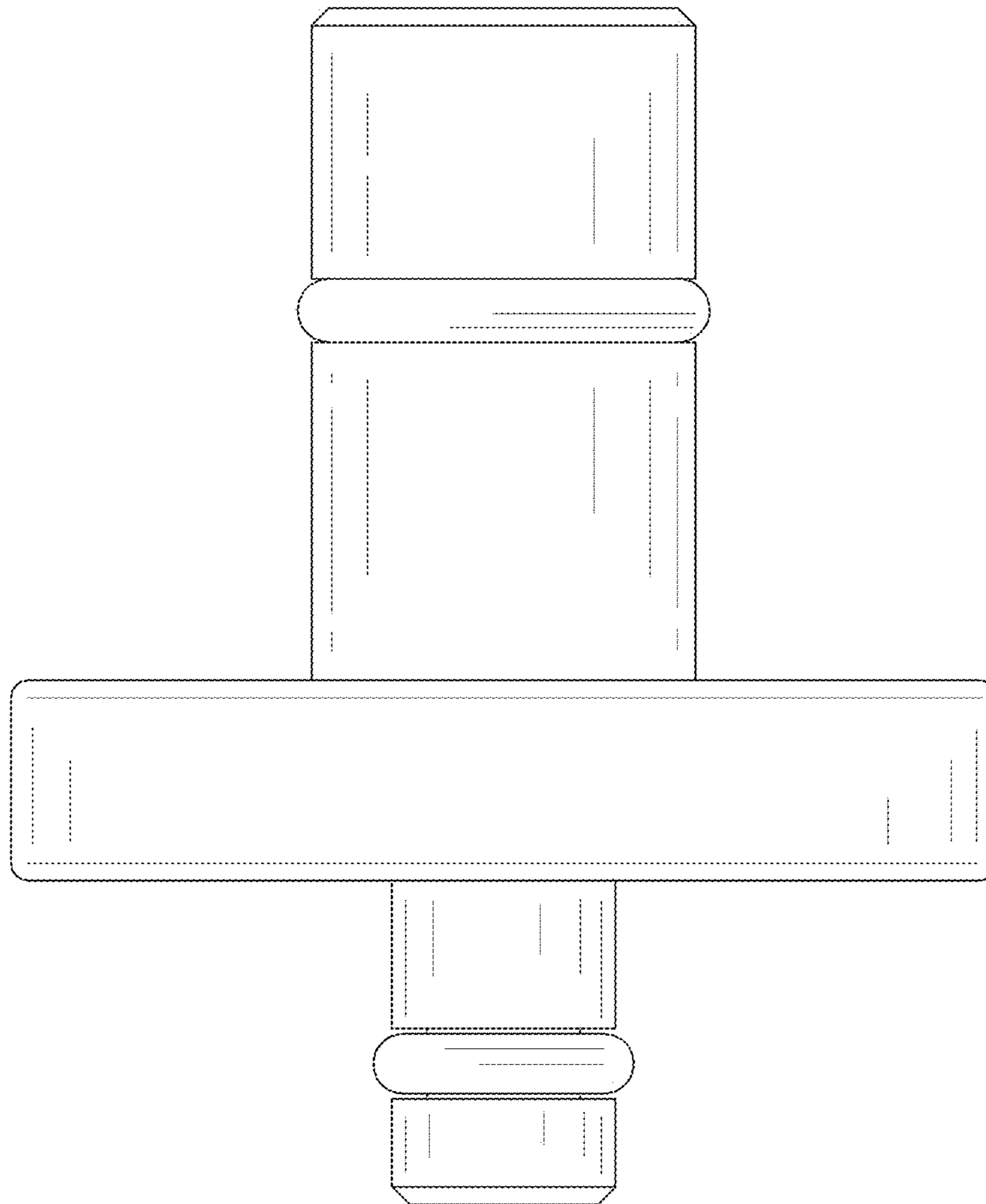


FIG. 5

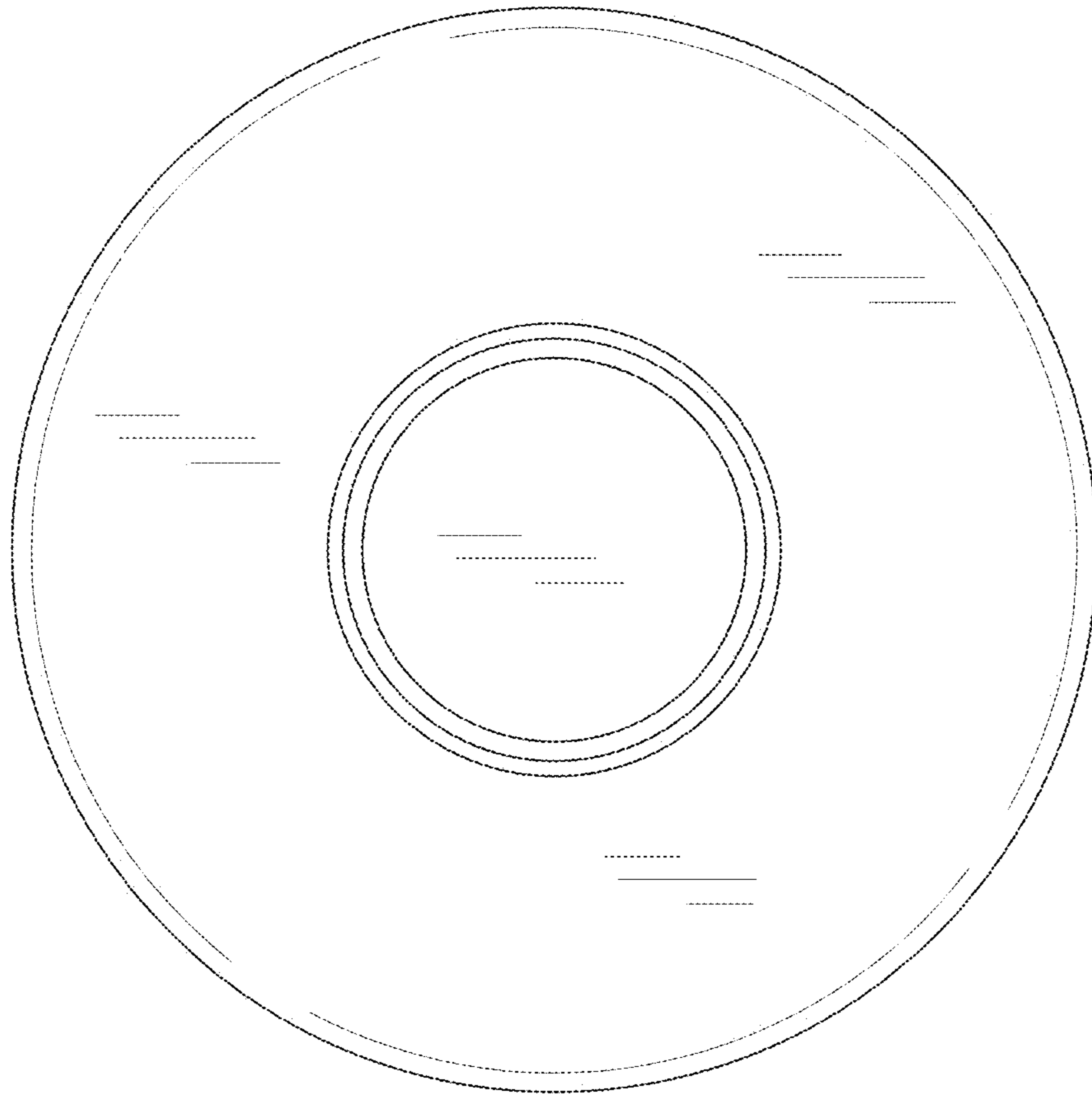


FIG. 6



FIG. 7