



US00D961342S

(12) **United States Design Patent**
She

(10) **Patent No.:** **US D961,342 S**

(45) **Date of Patent:** **** Aug. 23, 2022**

(54) **OYSTER KNIFE**

D313,923 S * 1/1991 Poe, Jr. D7/693
D324,899 S * 3/1992 Thompson D22/118
D387,631 S * 12/1997 Thibault D7/693

(71) Applicant: **YANGJIANG WENCHUANG
TRADE CO., LTD.**, Yangjiang (CN)

* cited by examiner

(72) Inventor: **Xiaojia She**, Yangjiang (CN)

Primary Examiner — Terry A Wallace

(**) Term: **15 Years**

(21) Appl. No.: **29/756,134**

(57) **CLAIM**

(22) Filed: **Oct. 26, 2020**

The ornamental design for an oyster knife, as shown and described.

(51) **LOC (13) Cl.** **07-04**

(52) **U.S. Cl.**
USPC **D7/693**

(58) **Field of Classification Search**

DESCRIPTION

USPC D7/680–696, 395, 393; D8/98; D22/118
CPC A47G 21/065; A47G 21/00; A47G 21/06;
A47G 21/061; A47G 21/062; A47G
21/067; A22C 17/0006; A22C 17/00;
A22C 29/027; A22C 21/063; A22C
25/006; A22C 25/185; A22C 25/025;
A22C 25/00; A47J 25/00

FIG. 1 is a front, right side, top perspective view of an oyster knife showing my new design;
FIG. 2 is a front elevational view thereof;
FIG. 3 is a rear elevational view thereof;
FIG. 4 is a left side elevational view thereof;
FIG. 5 is a right side elevational view thereof;
FIG. 6 is a top plan view thereof; and,
FIG. 7 is a bottom plan view thereof.

See application file for complete search history.

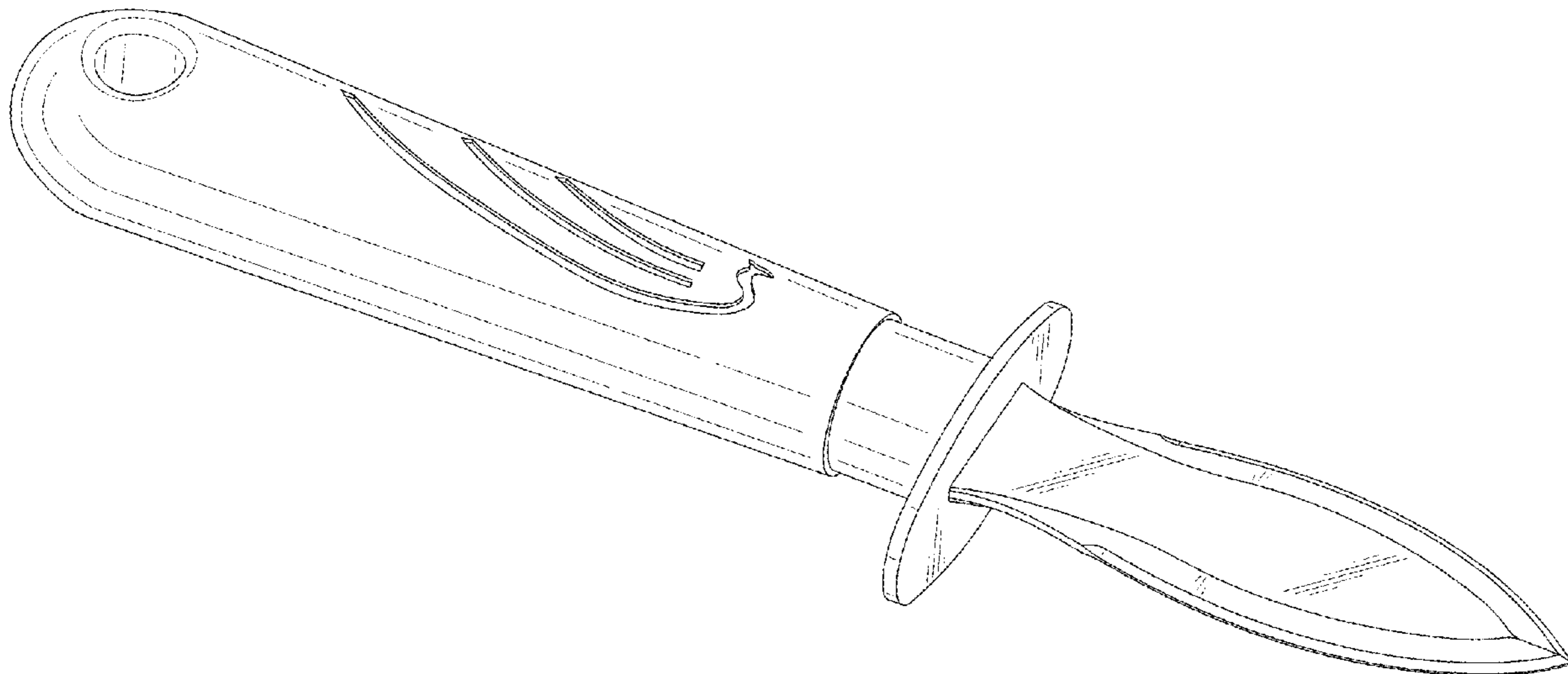
The broken lines depict portions of the oyster knife that form no part of the claimed design.

(56) **References Cited**

U.S. PATENT DOCUMENTS

908,894 A * 1/1909 Smiley A47G 21/02
D7/693

1 Claim, 6 Drawing Sheets



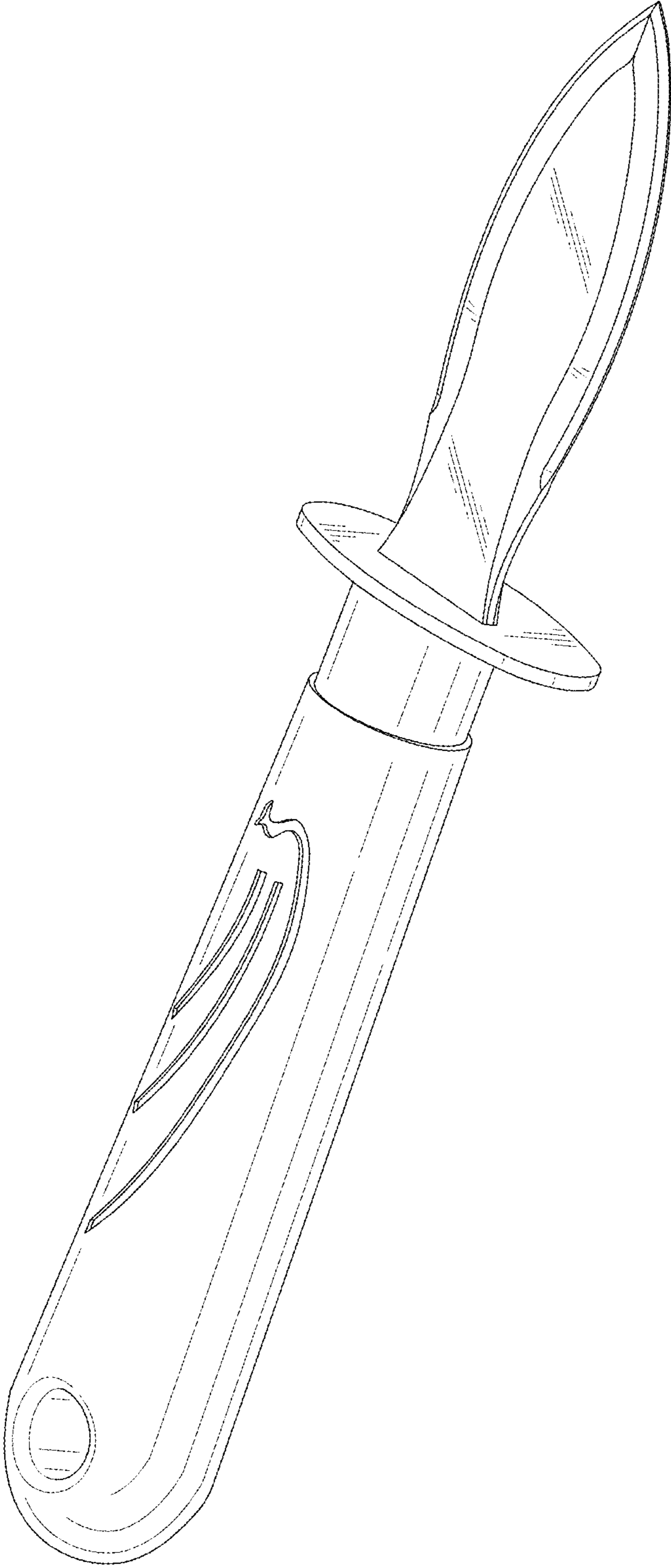


FIG.1

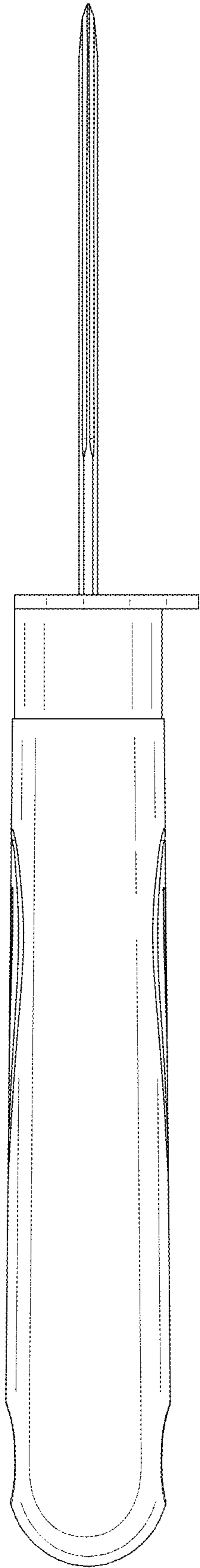


FIG. 2

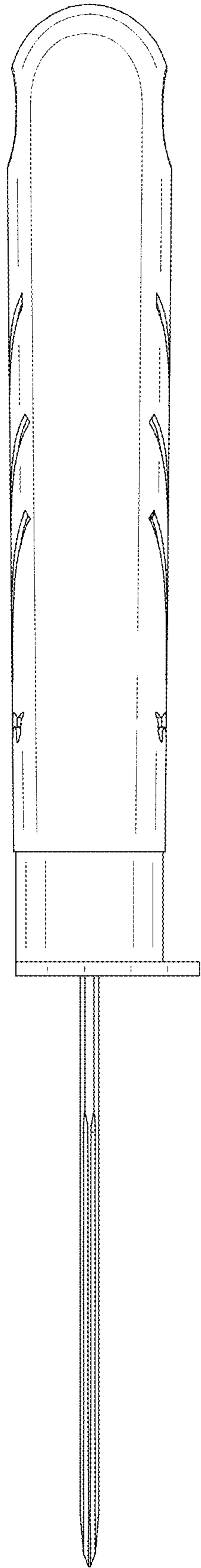


FIG. 3

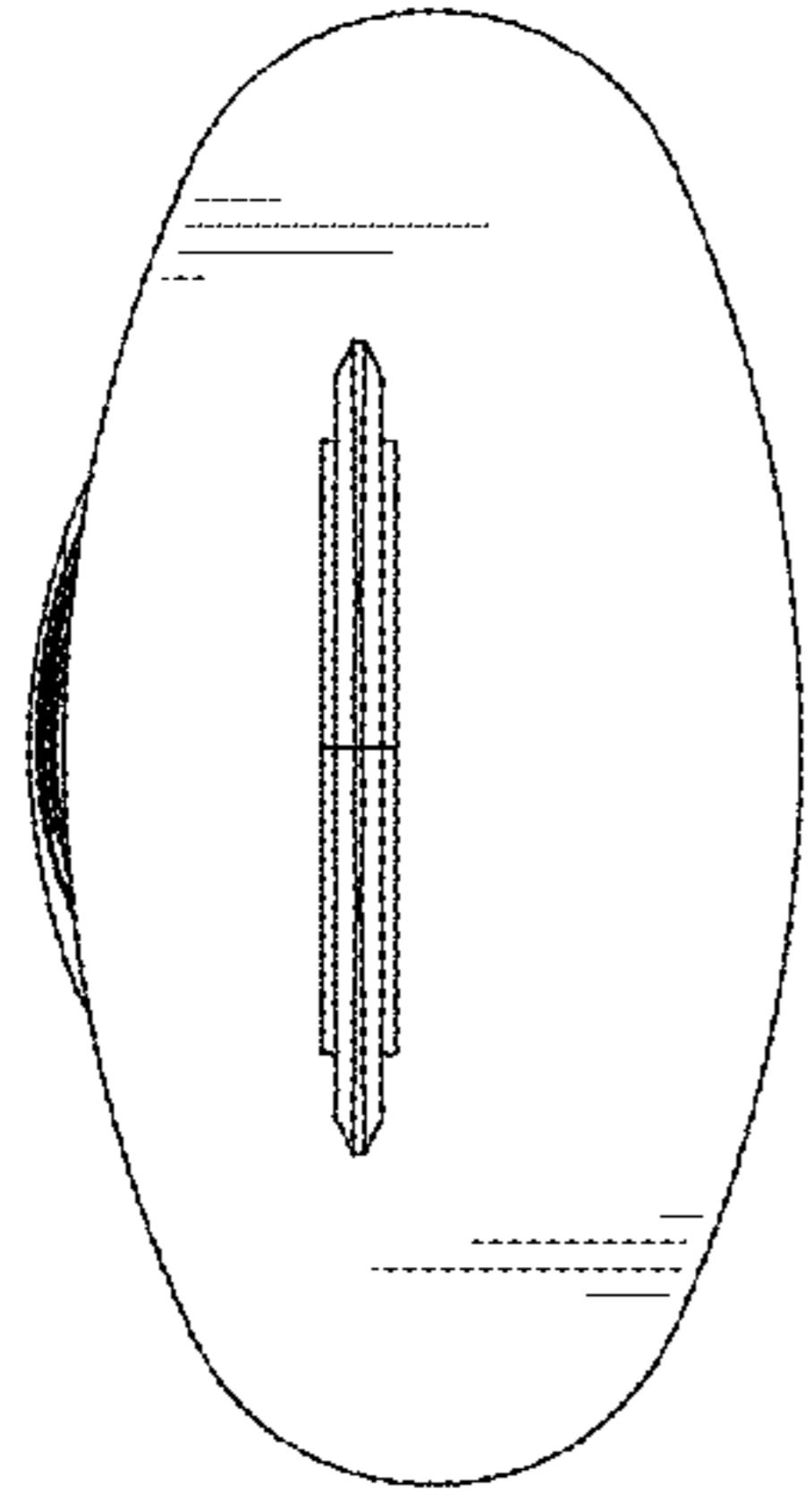


FIG.5

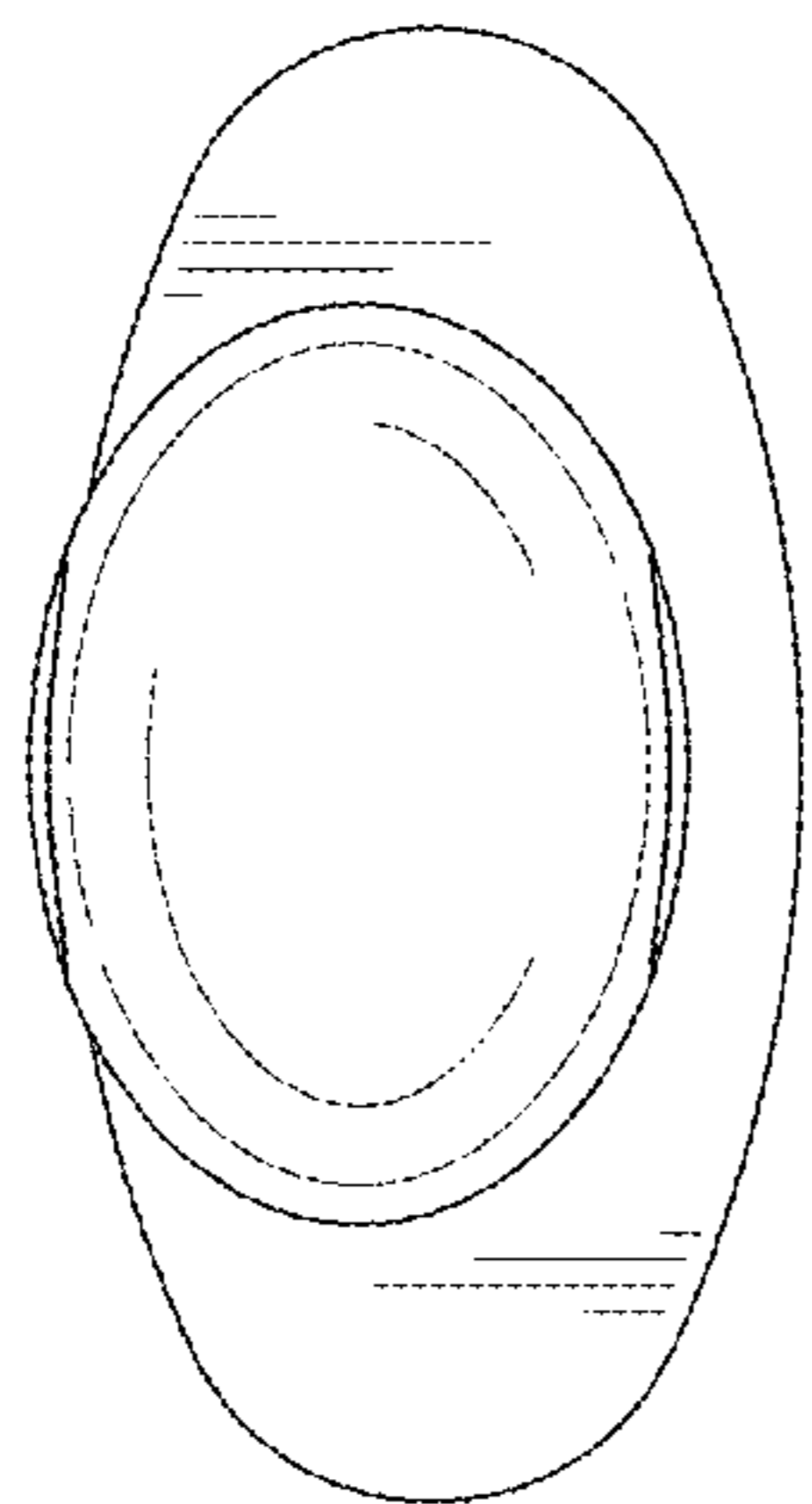


FIG.4

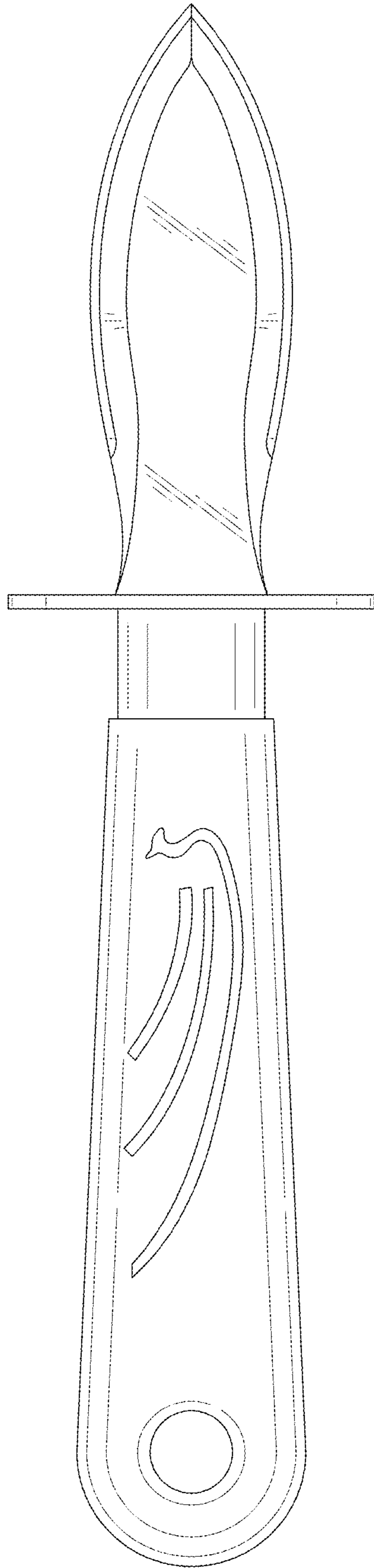


FIG.6

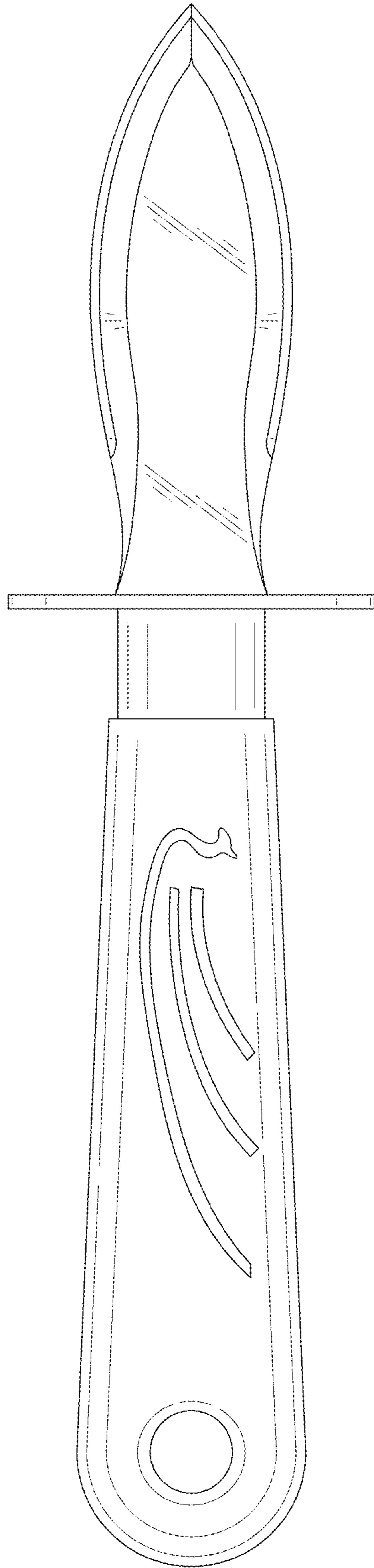


FIG. 7