



US00D961340S

(12) **United States Design Patent** (10) **Patent No.:** **US D961,340 S**  
**Hackley** (45) **Date of Patent:** **\*\* Aug. 23, 2022**

- (54) **INVERTED BOTTLE HOLDER**
- (71) Applicant: **Carl Hackley**, Charlotte, NC (US)
- (72) Inventor: **Carl Hackley**, Charlotte, NC (US)
- (\*\*) Term: **15 Years**
- (21) Appl. No.: **29/791,550**
- (22) Filed: **Jan. 17, 2022**

**Related U.S. Application Data**

- (63) Continuation-in-part of application No. 29/652,262, filed on Jun. 30, 2020, now Pat. No. Des. 942,224.
- (51) **LOC (13) Cl.** ..... **07-09**
- (52) **U.S. Cl.**  
USPC ..... **D7/619.1**
- (58) **Field of Classification Search**  
USPC ..... D7/305, 397, 507, 509, 510, 533, 536,  
D7/608, 605, 614, 619.1, 624, 667;  
D9/306, 311, 321, 397, 414-433,  
D9/500-560  
CPC .. A47G 23/021; A47G 29/24; A47G 23/0421;  
A47G 23/00; A61J 9/0607; A61J 9/0661;  
A61J 9/0638; A61J 9/0684; A61J 9/063;  
A61M 5/1417; A61M 5/14; B65D 81/38;  
B65D 71/50; B65D 23/0857; B65D  
85/30; B65D 25/20; B65D 23/10; B67C  
9/00; F25D 23/04; F25D 31/00; F25D  
11/00; F25D 11/20; Y10S 215/03  
See application file for complete search history.

(56) **References Cited**

**U.S. PATENT DOCUMENTS**

- 1,909,269 A \* 5/1933 Grobard ..... B67D 3/0029  
340/613
- D203,854 S \* 2/1966 Douglas ..... D7/400
- 4,271,878 A \* 6/1981 Bologna ..... B67C 9/00  
D7/619.1

- D338,069 S \* 8/1993 McCormick ..... D24/199
- D342,866 S \* 1/1994 Lee ..... D7/619.1
- 5,664,753 A \* 9/1997 Takei ..... A47G 23/0241  
248/314
- 5,794,904 A \* 8/1998 Hackley ..... B65D 23/001  
248/312.1
- D448,978 S \* 10/2001 Isbell ..... D7/619.1
- D451,764 S \* 12/2001 Arl ..... D7/603
- RE37,566 E \* 3/2002 Cristea ..... B67C 9/00  
141/86
- D488,962 S \* 4/2004 Catt ..... D7/619.1
- D585,233 S \* 1/2009 Bodum ..... D7/319
- D726,981 S \* 4/2015 Yessin ..... D32/25
- D740,064 S \* 10/2015 Katz ..... D7/311
- D772,644 S \* 11/2016 Kestenbaum ..... D7/400
- D791,535 S \* 7/2017 Yeh ..... D7/400

(Continued)

*Primary Examiner* — Joseph Kukella  
*Assistant Examiner* — Darryl J Dardenne  
 (74) *Attorney, Agent, or Firm* — Dunlap Bennett & Ludwig, PLLC

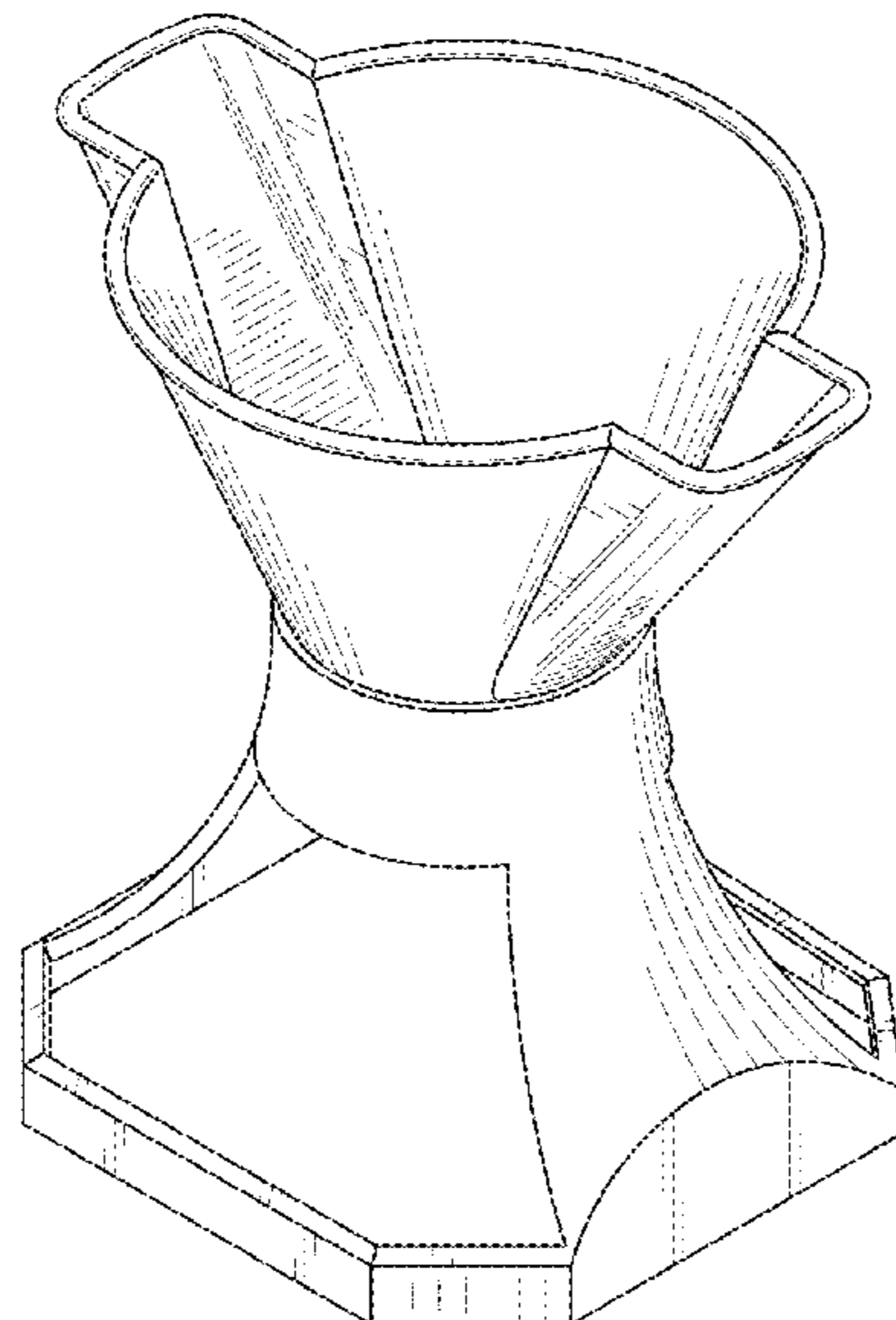
(57) **CLAIM**

The ornamental design for an inverted bottle holder, as shown and described.

**DESCRIPTION**

FIG. 1 is a perspective view of an inverted bottle holder, showing my new design;  
 FIG. 2 is a front elevation view thereof, the rear elevation view being a mirror image thereof;  
 FIG. 3 is a right side elevation view thereof, the left side elevation view being a mirror image thereof;  
 FIG. 4 is a top plan view thereof;  
 FIG. 5 is a bottom plan view thereof; and,  
 FIG. 6 is a perspective view thereof, shown in a used condition.  
 The broken lines showing a bottle in FIG. 6 depicts environmental subject matter that forms no part of the claimed design.

**1 Claim, 4 Drawing Sheets**



(56)

**References Cited**

U.S. PATENT DOCUMENTS

D817,089 S \* 5/2018 Gross ..... D7/397  
D817,110 S \* 5/2018 Kellow, Jr. .... D7/619.1  
D831,785 S \* 10/2018 Atwell ..... D23/209  
D834,886 S \* 12/2018 Gross ..... D7/400  
D873,597 S \* 1/2020 Fisher Wong ..... B67C 9/00  
D7/311  
D898,516 S \* 10/2020 DiDato ..... D7/412  
D908,445 S \* 1/2021 Stuart ..... D7/619.1  
D927,927 S \* 8/2021 Grassy ..... D7/400  
D942,224 S \* 2/2022 Hackley ..... D7/619.1

\* cited by examiner

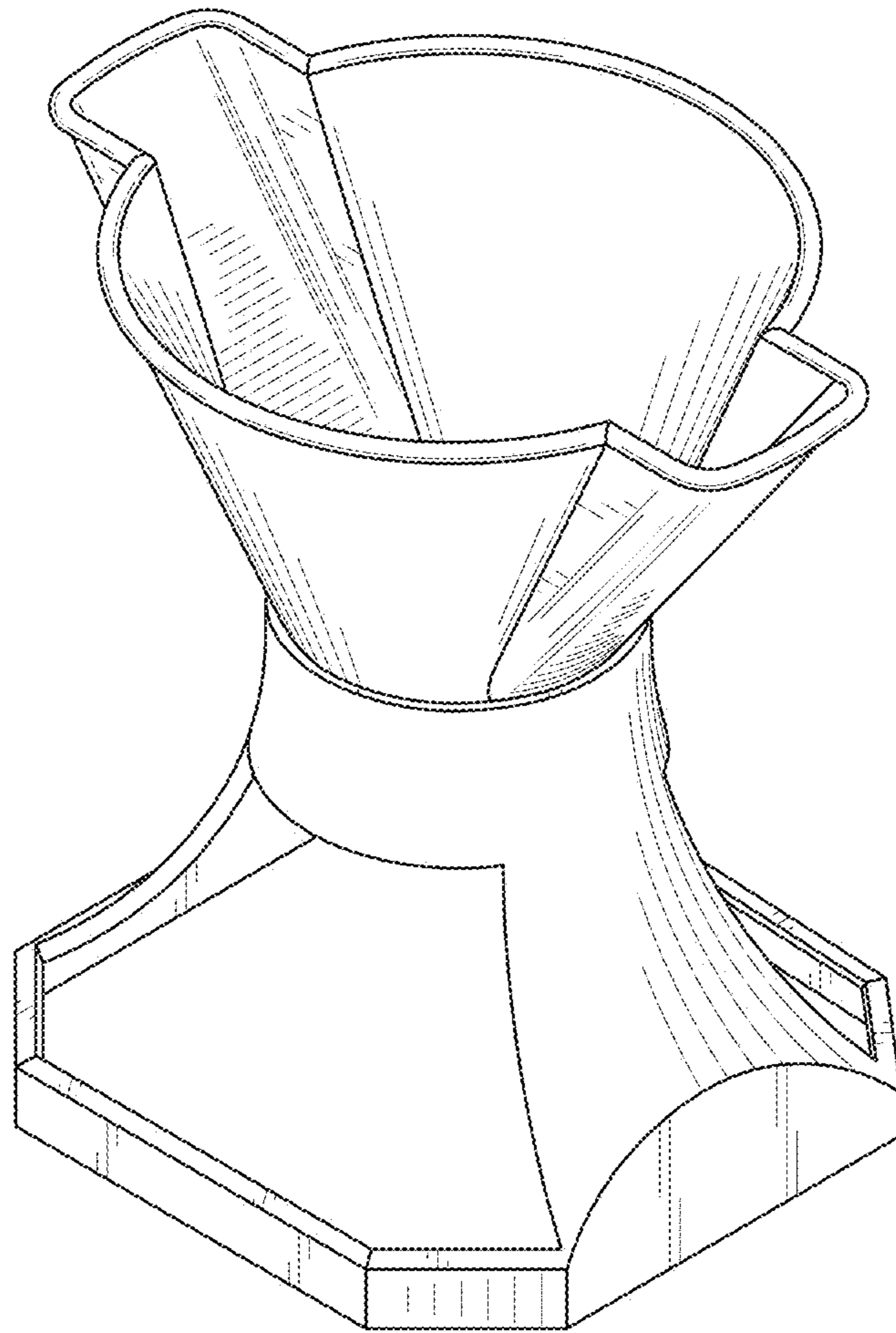


FIG. 1

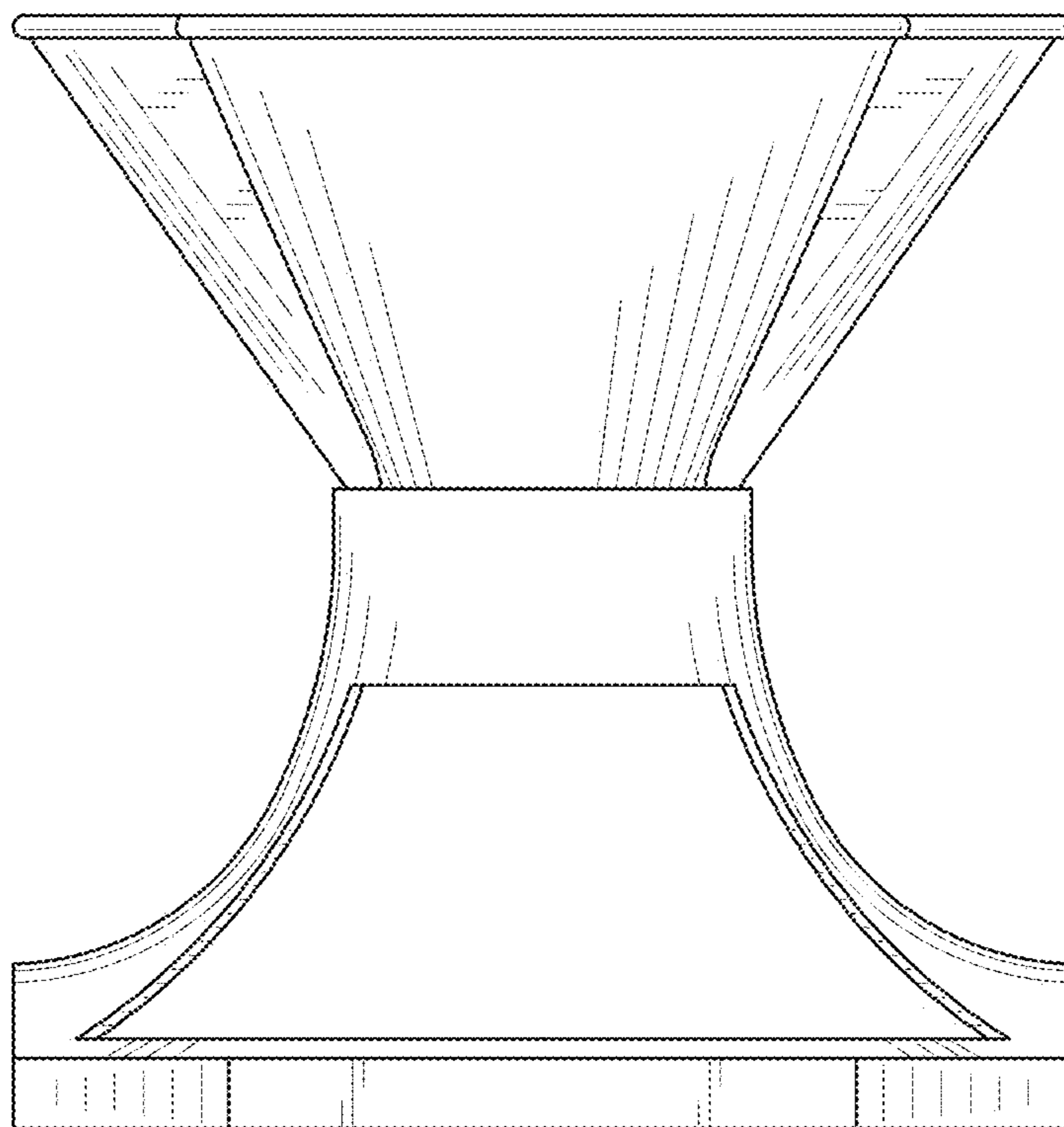


FIG. 2

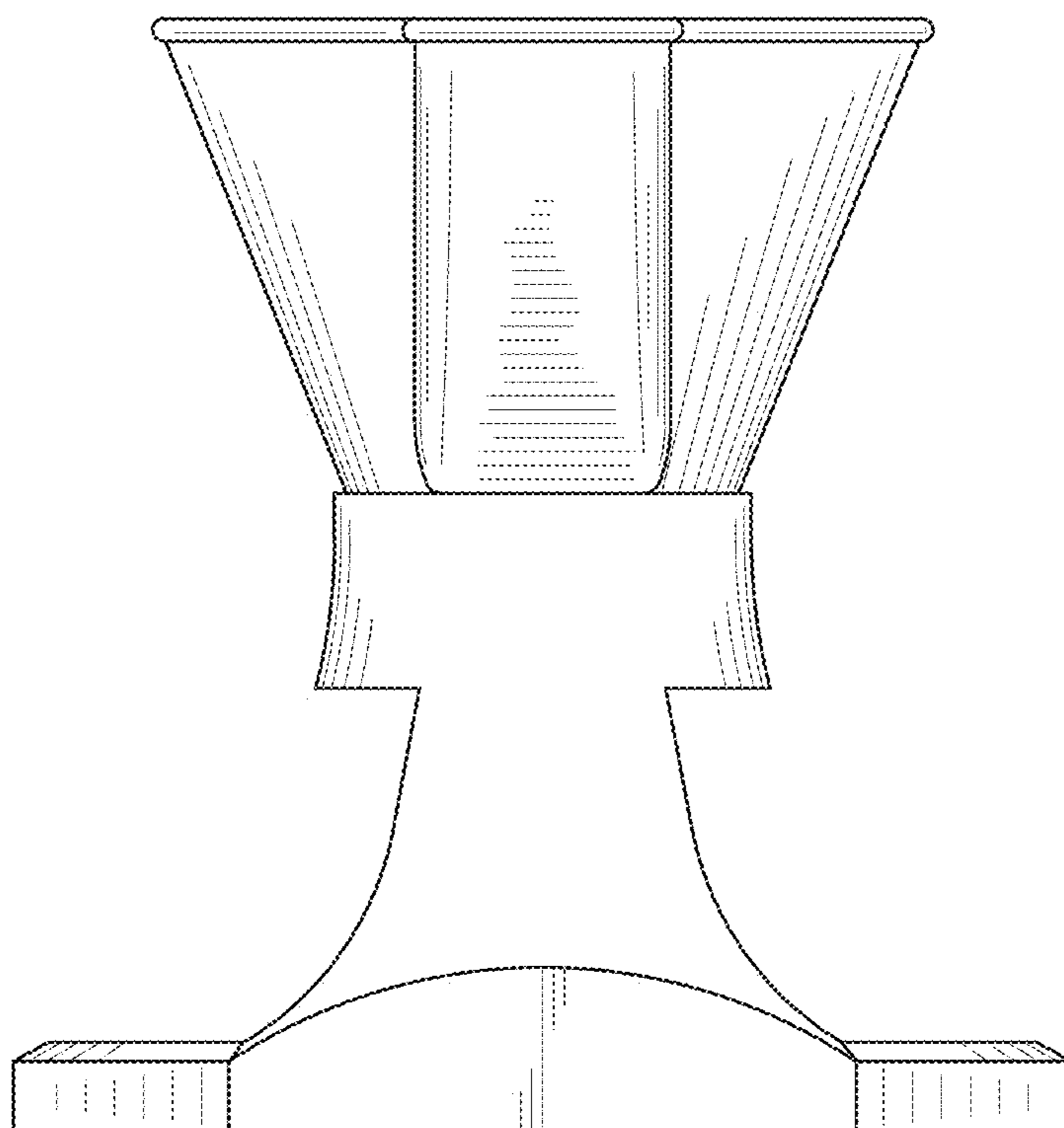


FIG. 3

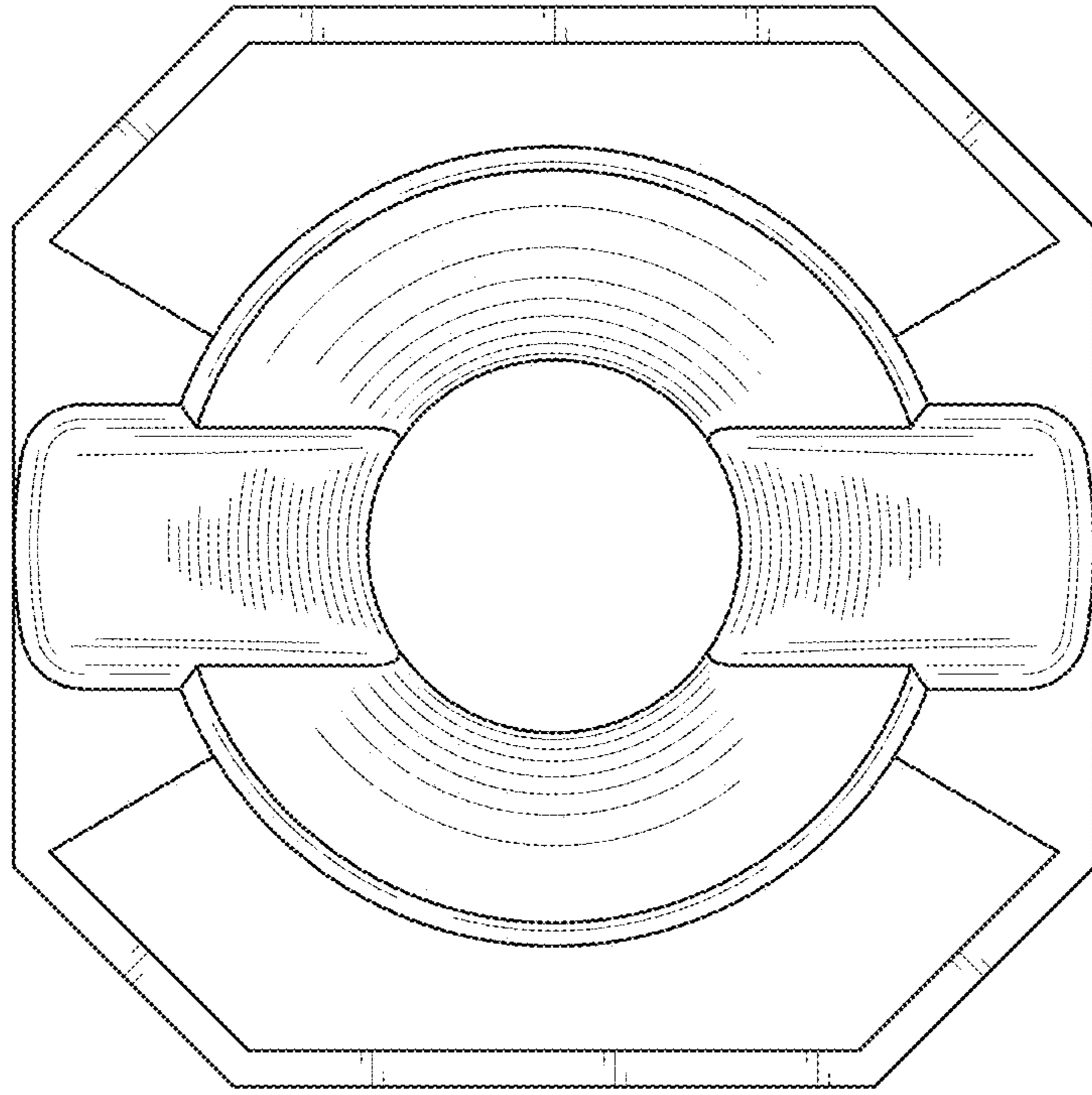


FIG. 4

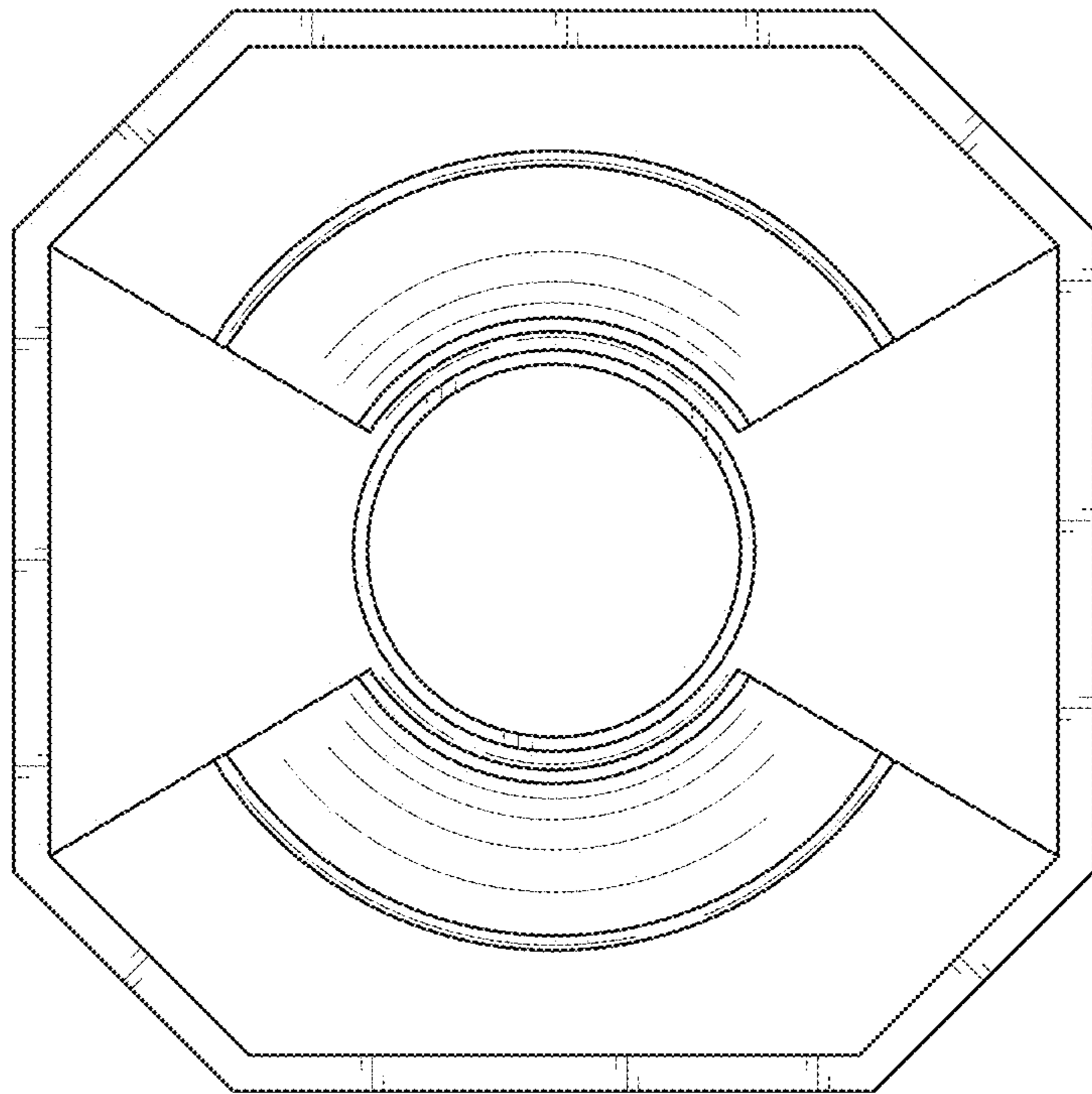


FIG. 5

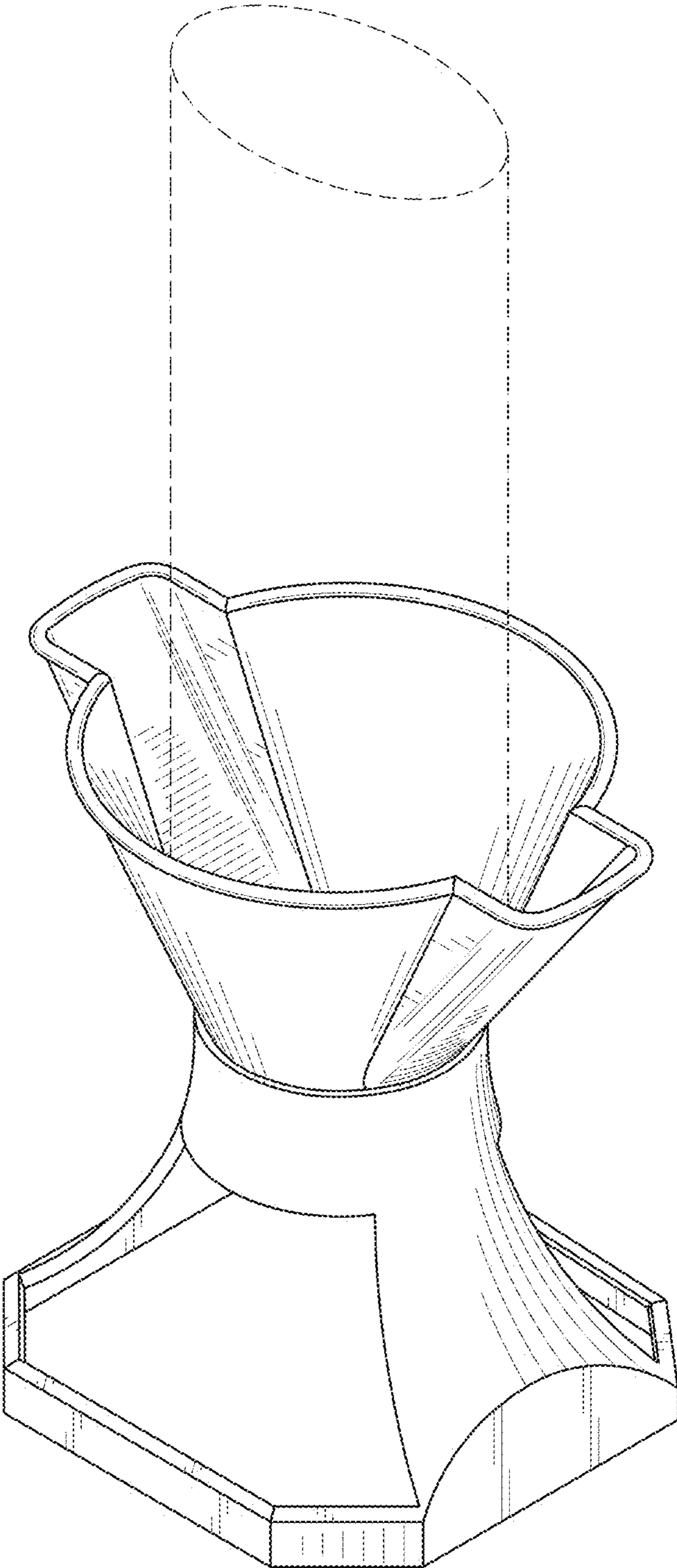


FIG. 6