



US00D961337S

(12) **United States Design Patent**  
**Lee et al.**

(10) **Patent No.:** **US D961,337 S**  
(45) **Date of Patent:** **\*\* Aug. 23, 2022**

(54) **LID HOLDER**

(71) Applicant: **Tonoga, Inc.**, Petersburg, NY (US)  
(72) Inventors: **Stuart Harvey Lee**, Forest Hills, NY (US); **Michael Anthony Bambino**, Sunnyside, NY (US)  
(73) Assignee: **TONGA, INC.**, Petersburg, NY (US)  
(\*\*) Term: **15 Years**  
(21) Appl. No.: **29/689,555**

(22) Filed: **Apr. 30, 2019**  
(51) **LOC (13) Cl.** ..... **07-07**  
(52) **U.S. Cl.**  
USPC ..... **D7/601**  
(58) **Field of Classification Search**  
USPC ..... D7/388, 601, 637-641; D8/370  
CPC ..... A47J 47/16  
See application file for complete search history.

(56) **References Cited**

**U.S. PATENT DOCUMENTS**

1,349,155 A \* 8/1920 Huttner ..... A47J 47/16  
211/106  
1,390,766 A \* 9/1921 Cunningham ..... A47J 36/12  
220/744  
1,745,548 A 2/1930 Lerner  
1,928,995 A 10/1933 De Biasi  
D432,316 S \* 10/2000 Duggan ..... D8/372  
D546,129 S \* 7/2007 Sergianni ..... D7/601  
D615,264 S \* 5/2010 Yon ..... D32/54  
D618,958 S \* 7/2010 Di Lollo ..... D7/388  
2009/0230134 A1 9/2009 Romandy  
2010/0193523 A1 8/2010 Beisheim

(Continued)

**FOREIGN PATENT DOCUMENTS**

CN 2768625 Y 4/2006  
DE 10247961 A1 10/2003

(Continued)

**OTHER PUBLICATIONS**

Chef's Planet website, Multipurpose lid holder, Earliest review date Sep. 26, 2019, [site visited May 13, 2022], Available on the Internet URL www.chefsplanet.com/multipurpose-lid-holder.html (Year: 2019).\*  
(Continued)

*Primary Examiner* — S. Bryan Reinholdt, Jr.  
(74) *Attorney, Agent, or Firm* — Heslin Rothenberg Farley & Mesiti P.C.

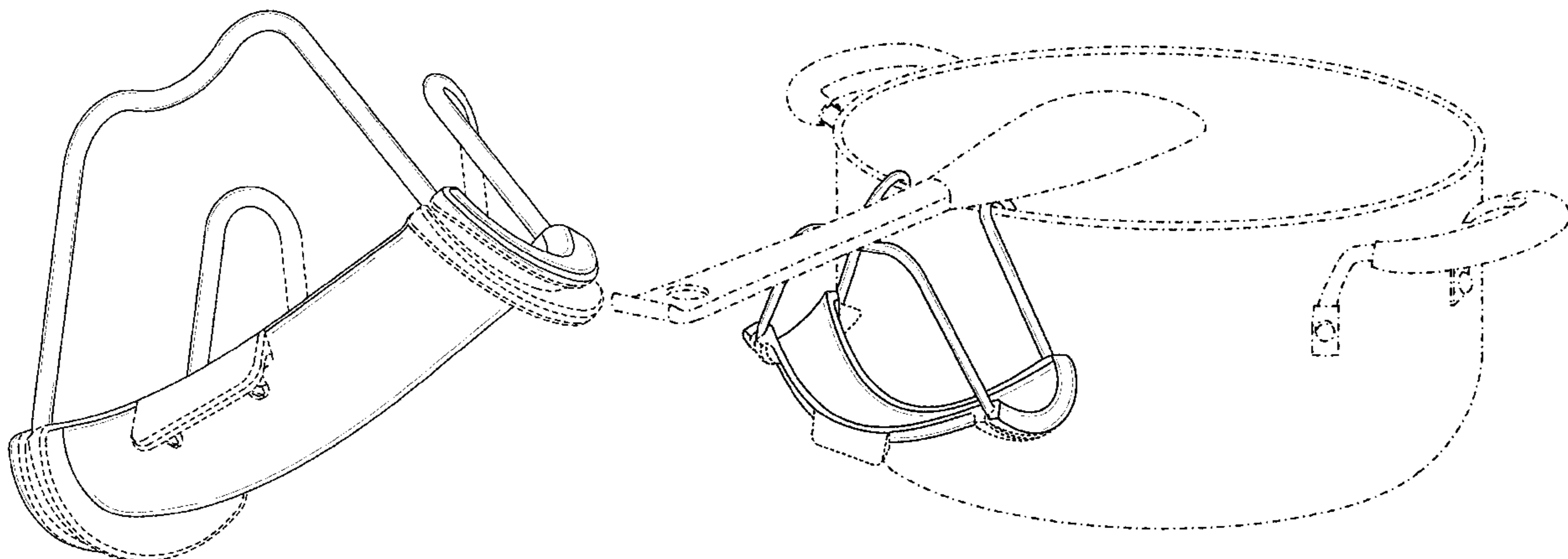
(57) **CLAIM**

The ornamental design for a lid holder, as shown and described.

**DESCRIPTION**

FIG. 1 is a front, bottom, and right perspective view of a lid holder in accordance with the new design; FIG. 2 is a front elevational view thereof; FIG. 3 is a rear elevational view thereof; FIG. 4 is a top plan view thereof; FIG. 5 is a bottom plan view thereof; FIG. 6 is a right side elevational view thereof; FIG. 7 is a left side elevational view thereof; FIG. 8 is a perspective view thereof in a use configuration with environment of a pot; FIG. 9 is a perspective view thereof in a use configuration with environment of a pot and a lid; and, FIG. 10 is a perspective view thereof in a use configuration with environment of a pot and a utensil. The broken lines in FIGS. 1-10 and the unshaded surfaces adjacent to them depict portions of the lid holder that form no part of the claimed design. The dot-dash-dot broken lines in FIGS. 8, 9, and 10 depict environment that forms no part of the claimed design.

**1 Claim, 10 Drawing Sheets**



(56)

**References Cited**

U.S. PATENT DOCUMENTS

2011/0260023 A1\* 10/2011 Braun ..... A47J 36/12  
248/220.21  
2014/0008315 A1\* 1/2014 Elly ..... A47J 36/12  
211/41.11  
2016/0106266 A1\* 4/2016 Heron ..... A47J 47/16  
220/574  
2019/0110637 A1\* 4/2019 Groll ..... A47J 36/12

FOREIGN PATENT DOCUMENTS

DE 202011002885 U1 10/2011  
JP 2009160354 A 7/2009  
JP 2012045344 A 3/2012  
KR 20110007297 U 7/2011

OTHER PUBLICATIONS

Cook's Illustrated, The Best Slow Cooker Lid Holder, Web Page,  
Apr. 2, 2019, pp. 1-3, [Illustrated.com/equipment\\_reviews/1550-slow-cooker-lid-holder?ref=EquipmentReview\\_browse\\_7](https://www.illustrated.com/equipment_reviews/1550-slow-cooker-lid-holder?ref=EquipmentReview_browse_7).  
Odditymall, LidSitter Allows You To Hang Pot Lids and Lids  
Right On Your Pot, Web Page, Apr. 2, 2019, pp. 1-10, <https://odditymall.com/lidsitter-pot-lid-hanger>.

\* cited by examiner

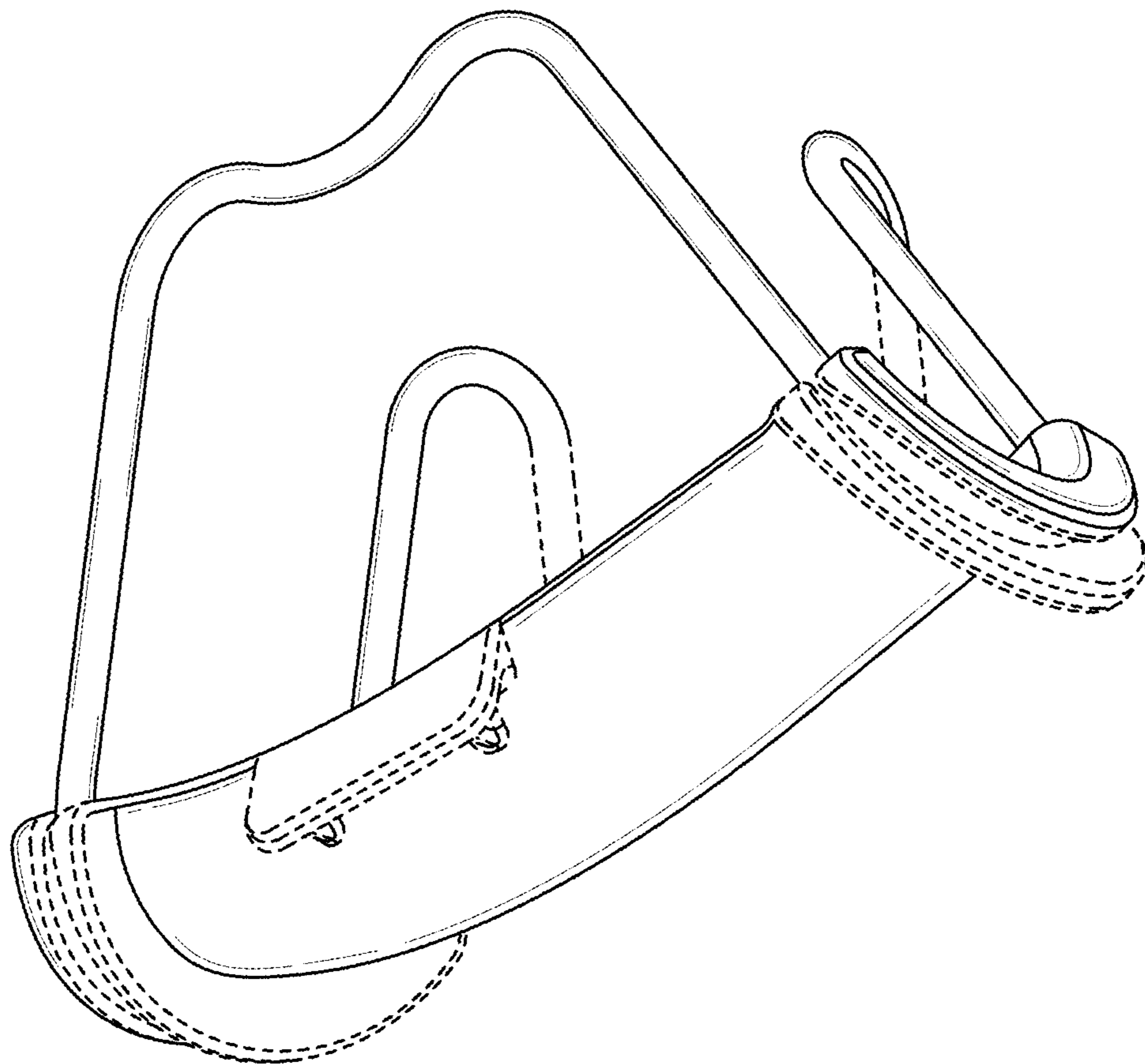


FIG. 1

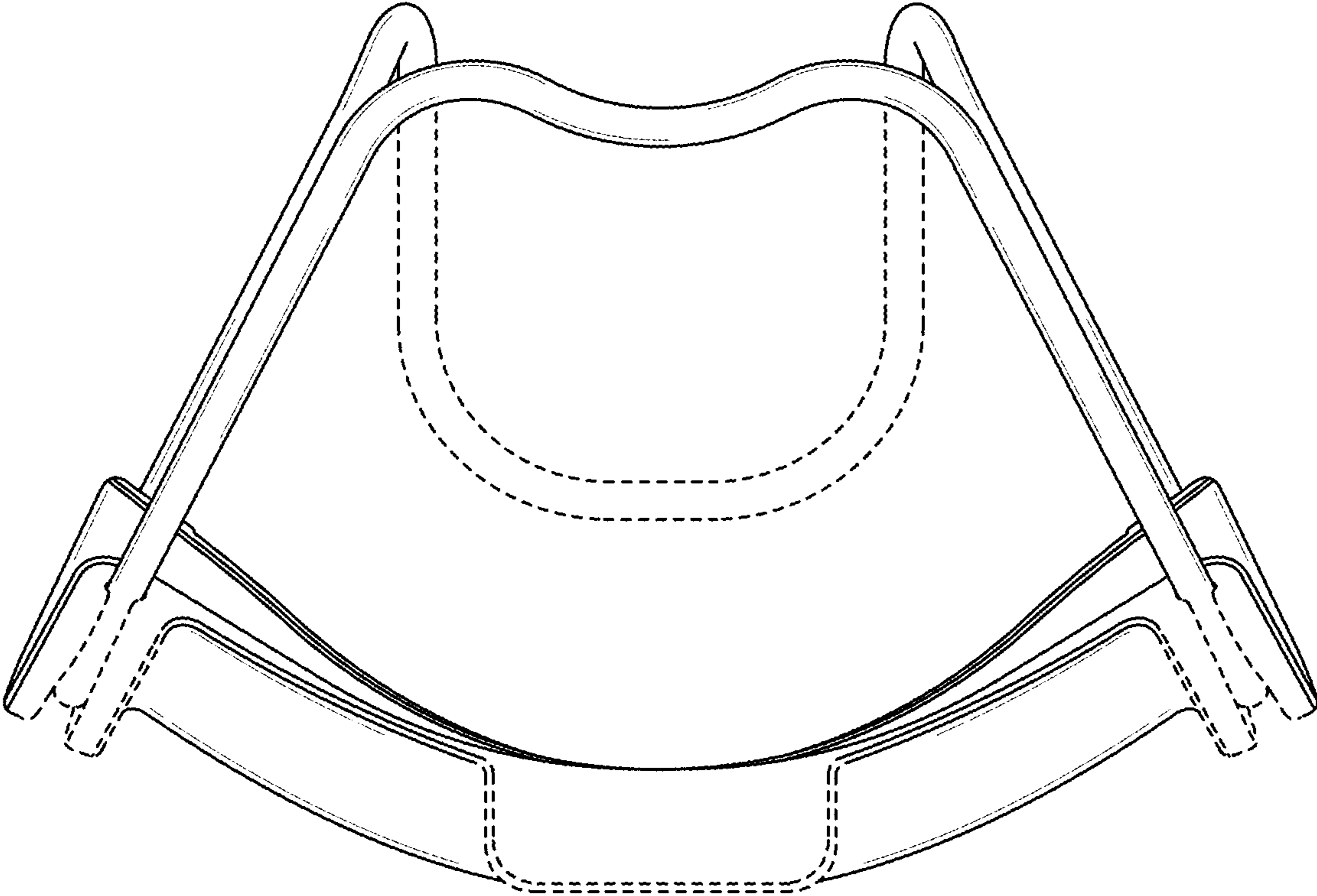


FIG. 2

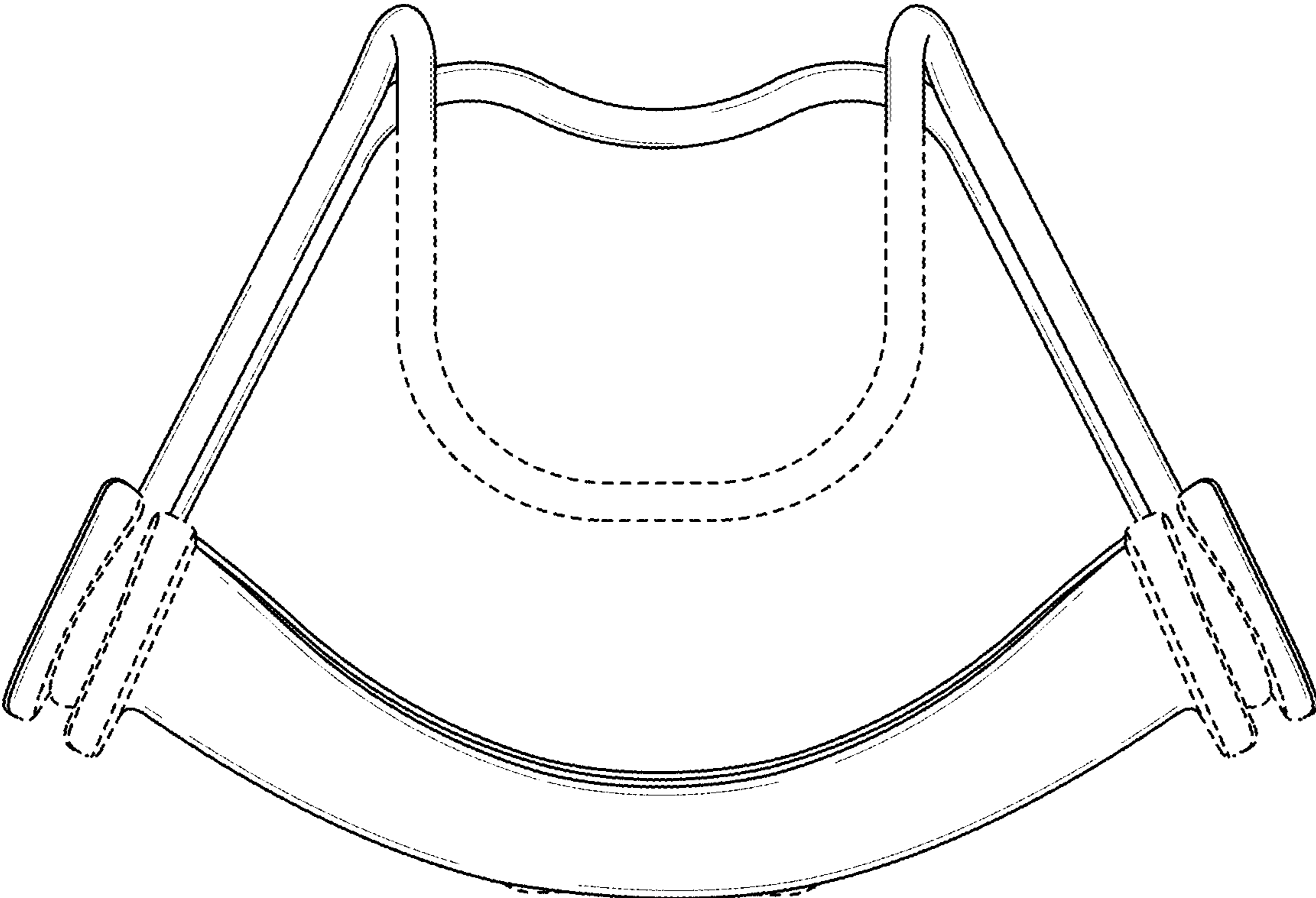


FIG. 3



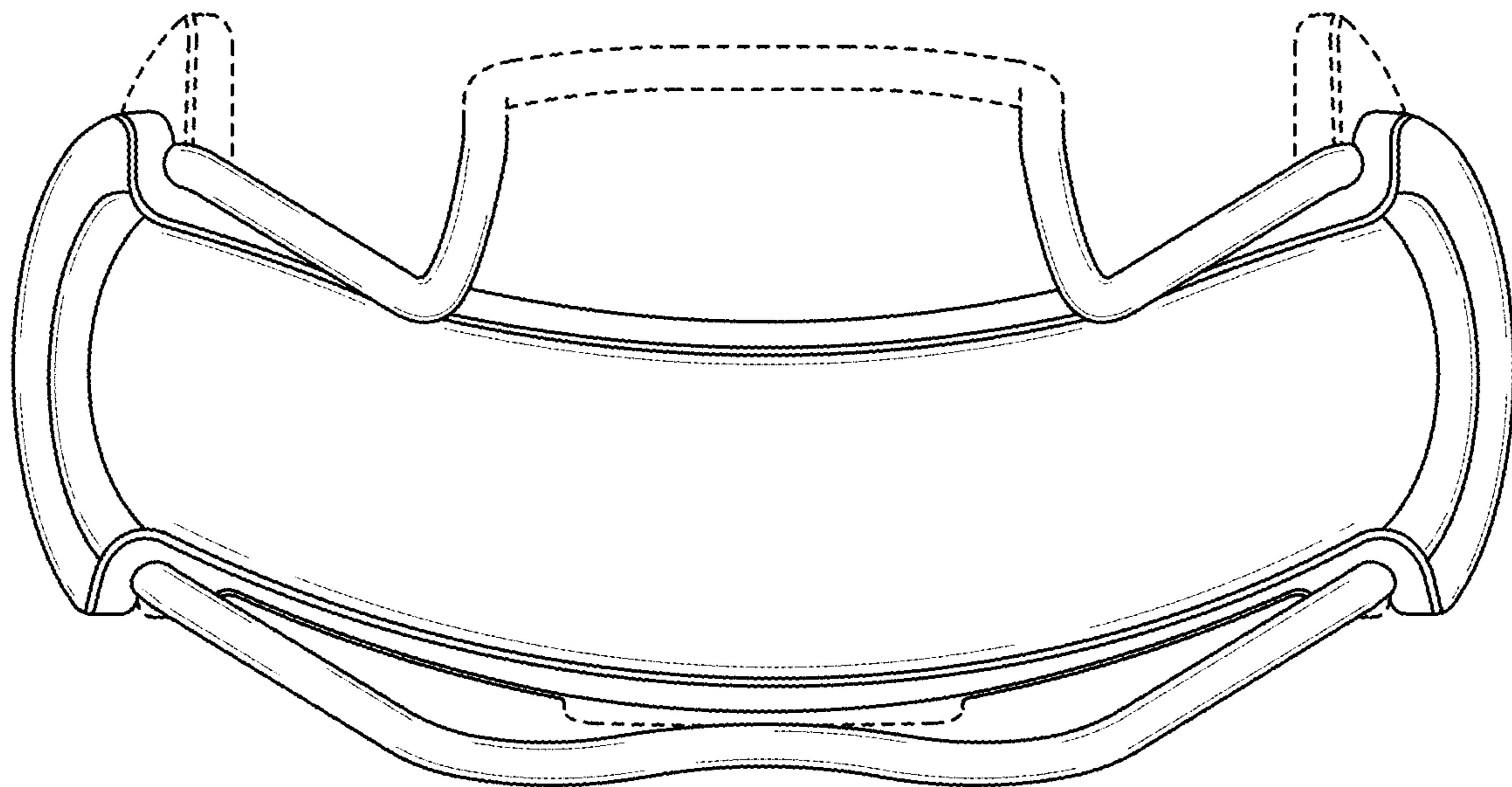


FIG. 4

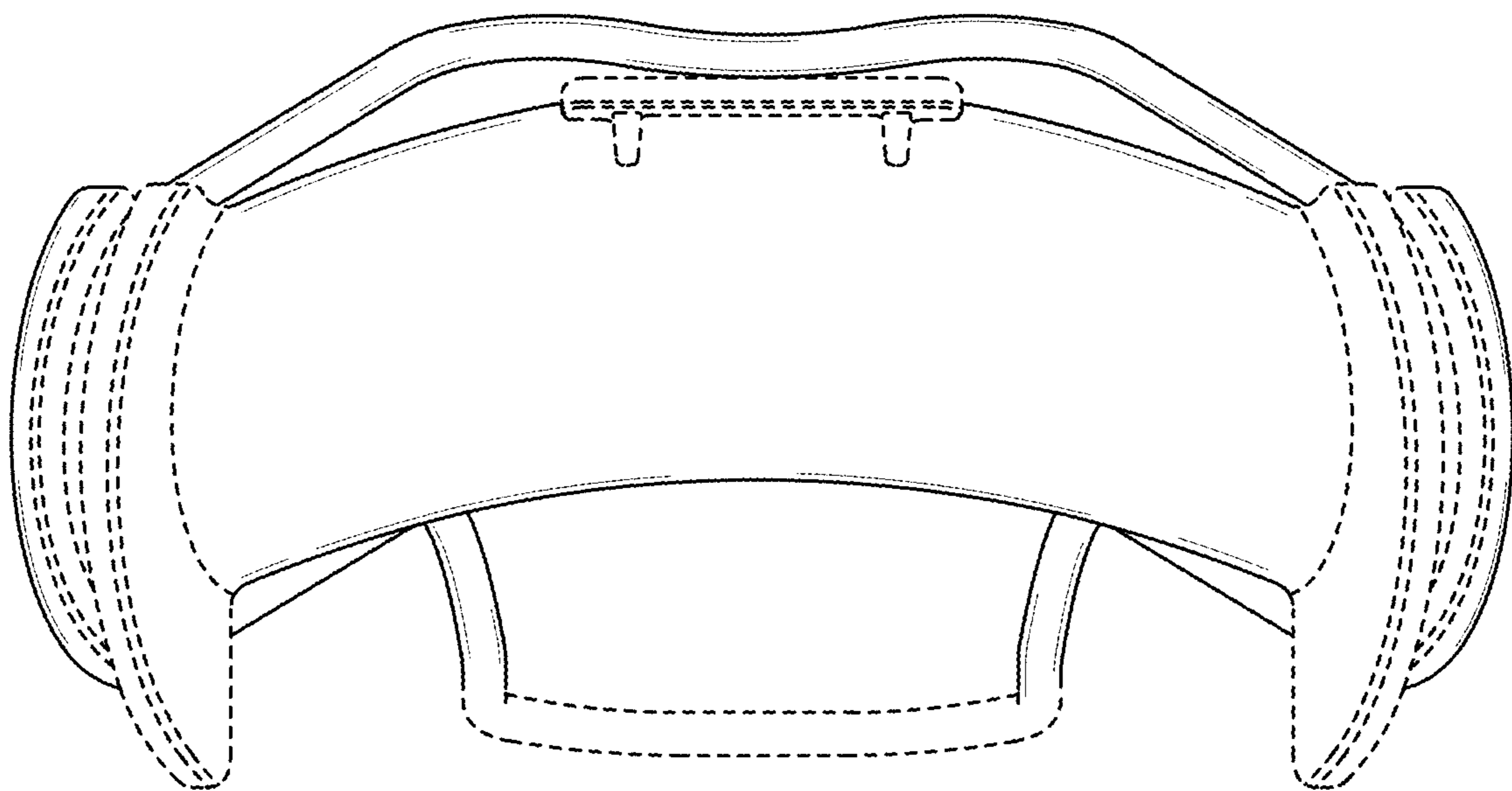


FIG. 5

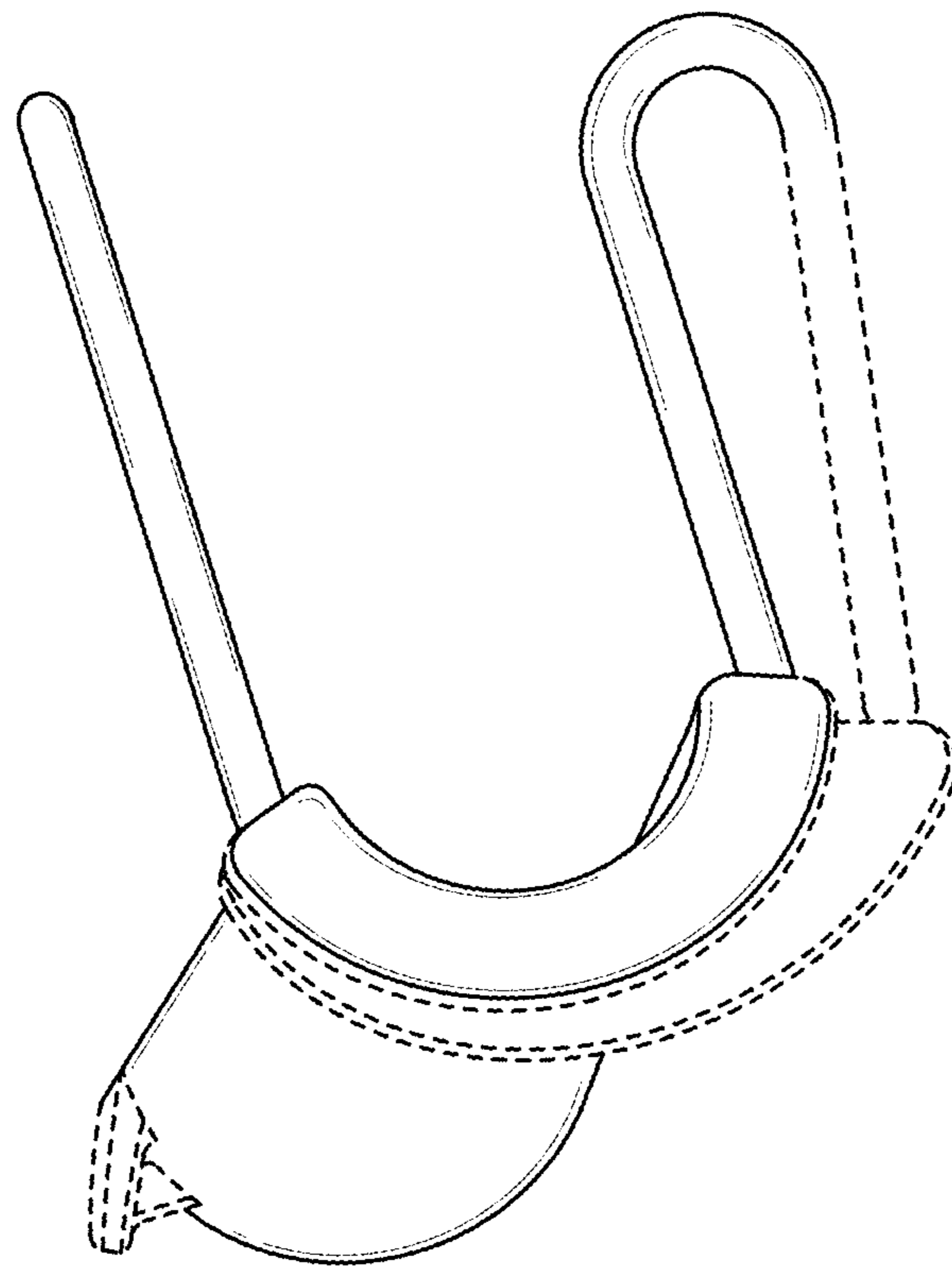


FIG. 6



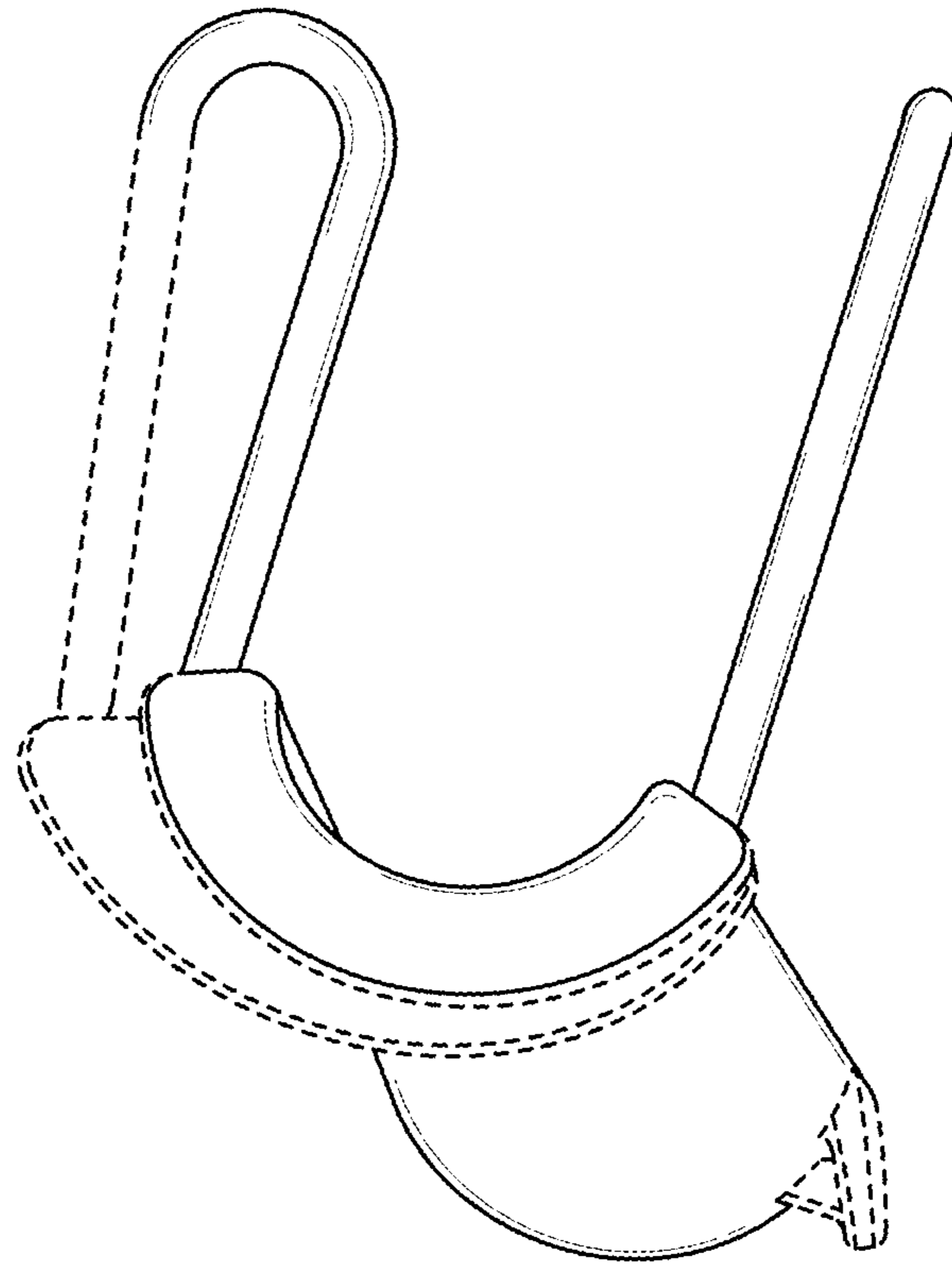


FIG. 7

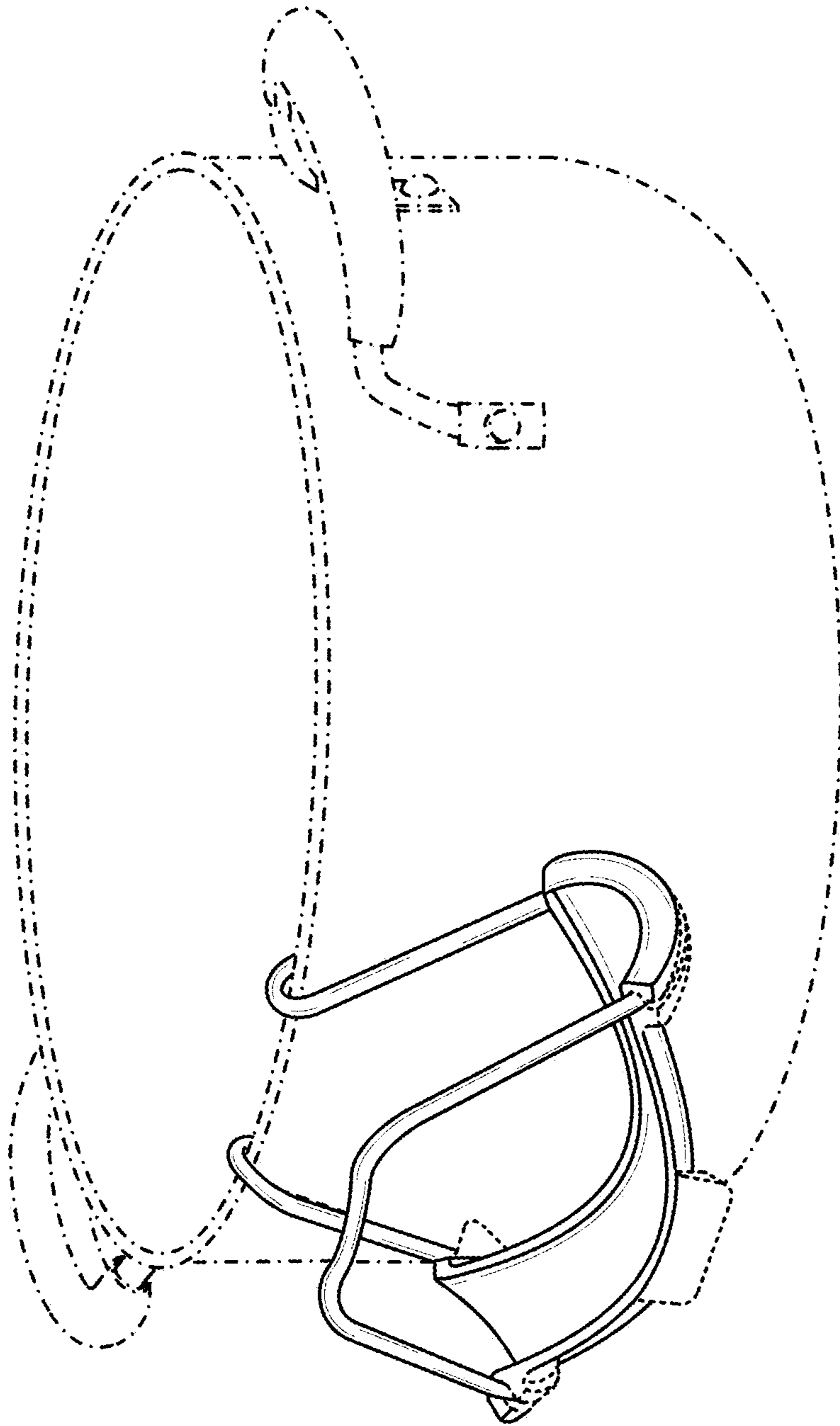


FIG. 8

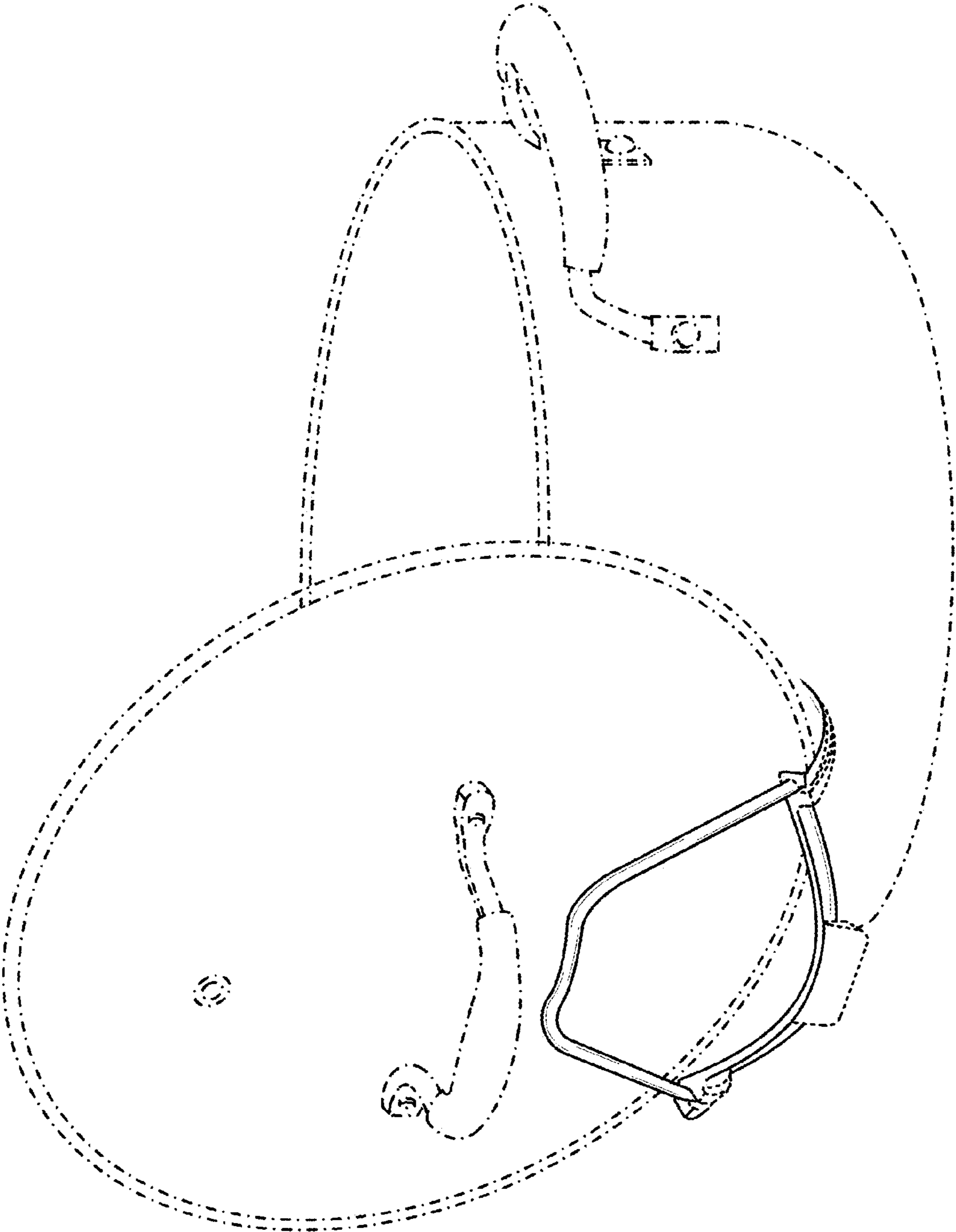


FIG. 9

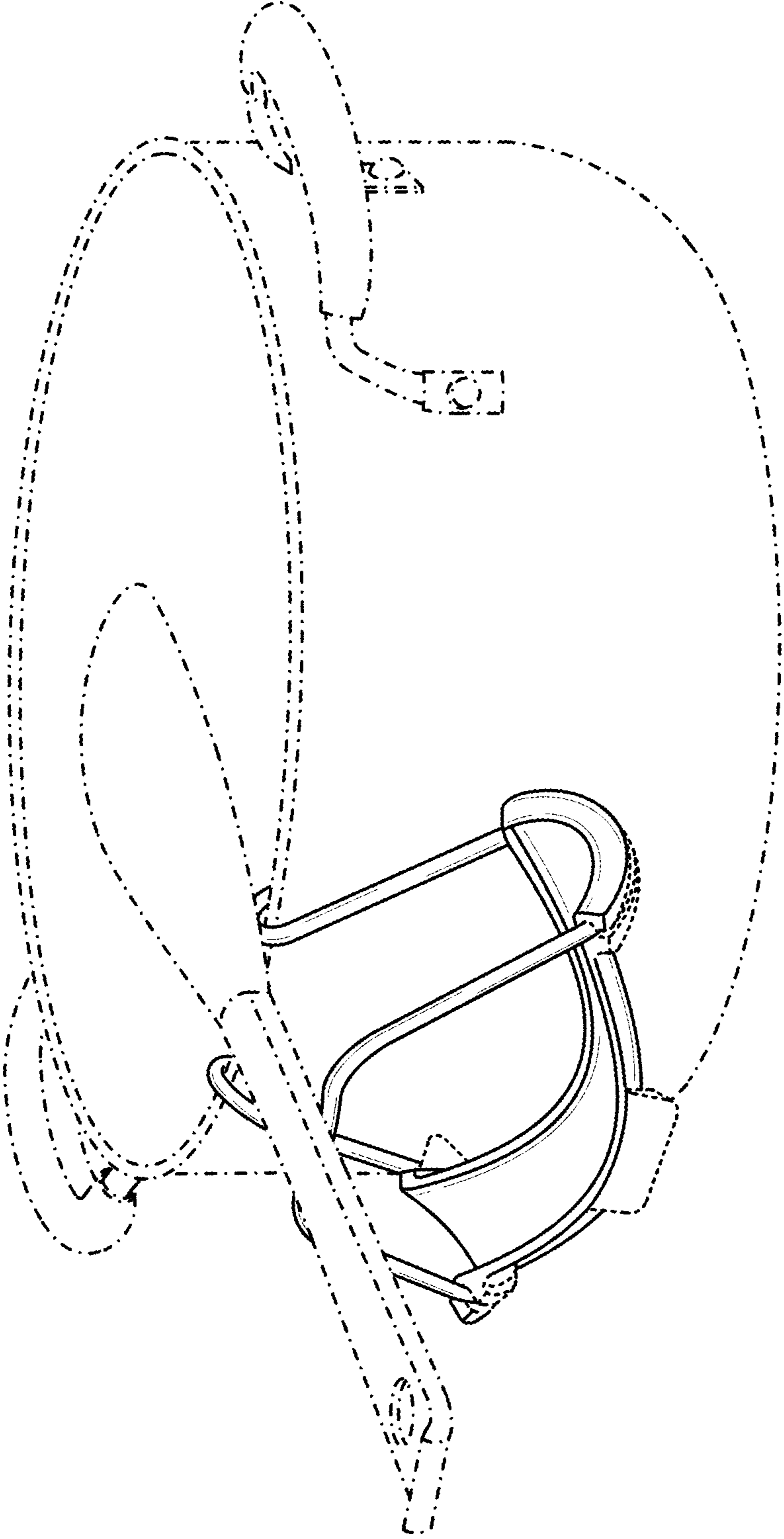


FIG. 10

UNITED STATES PATENT AND TRADEMARK OFFICE  
**CERTIFICATE OF CORRECTION**


PATENT NO. : D961,337 S  
APPLICATION NO. : 29/689555  
DATED : August 23, 2022  
INVENTOR(S) : Lee et al.

Page 1 of 1

It is certified that error appears in the above-identified patent and that said Letters Patent is hereby corrected as shown below:

On the Title Page

In the Assignee (73): Delete "Tonga, Inc." and insert -- Tonoga, Inc. --

Signed and Sealed this  
Thirty-first Day of January, 2023  
  
Katherine Kelly Vidal  
*Director of the United States Patent and Trademark Office*