



US00D961336S

(12) **United States Design Patent**  
**Liu**

(10) **Patent No.:** **US D961,336 S**

(45) **Date of Patent:** **\*\* Aug. 23, 2022**

(54) **ROTARY COFFEE POD HOLDER**

(71) Applicant: **Xiaofeng Liu**, Foshan (CN)

(72) Inventor: **Xiaofeng Liu**, Foshan (CN)

(\*\*) Term: **15 Years**

(21) Appl. No.: **29/759,943**

(22) Filed: **Nov. 26, 2020**

(30) **Foreign Application Priority Data**

Nov. 2, 2020 (CN) ..... 202030657715.0

(51) **LOC (13) Cl.** ..... **07-09**

(52) **U.S. Cl.**  
USPC ..... **D7/600.2**

(58) **Field of Classification Search**  
USPC ..... D7/500–501, 503, 513, 523, 529, 546,  
D7/550.1, 553.1, 553.6, 584, 596,  
D7/600.1–600.2, 600.4, 601, 608, 611,  
D7/640, 701, 704, 707; D9/757–758,  
D9/762; D3/254, 257–258; D28/38, 73;  
D8/71–74

CPC ..... A47F 5/03; A47F 3/10; A47F 5/0037  
See application file for complete search history.

(56) **References Cited**

**U.S. PATENT DOCUMENTS**

D459,616 S \* 7/2002 Bustos ..... D6/678.1  
D462,200 S \* 9/2002 Pollard ..... D6/680.2  
D536,936 S \* 2/2007 Tiemann ..... A47J 31/44  
D7/704  
D609,057 S \* 2/2010 Hertaus ..... A47J 31/44  
D7/600.2  
D617,124 S \* 6/2010 Snider ..... A47J 31/44  
D6/708  
D620,280 S \* 7/2010 Snider ..... A47J 47/16  
D7/600.2

D621,640 S \* 8/2010 Tiemann ..... A47J 31/44  
D7/600.2  
D623,875 S \* 9/2010 Snider ..... A47J 47/16  
D7/600.2  
D626,382 S \* 11/2010 Tiemann ..... A47J 31/44  
D7/600.2

(Continued)

**FOREIGN PATENT DOCUMENTS**

CN 304163703 \* 6/2017  
CN 306096726 \* 10/2020

(Continued)

**OTHER PUBLICATIONS**

Coffee Pod Storage Carousel, Everie, amazon.com, published by Everie, first available on Nov. 29, 2018 © 1996-2021 Amazon.com, Inc., online, site visited Nov. 6, 2021. Available from Internet, URL: <https://www.amazon.com/Everie-Coffee-Storage-Carousel-Organizer/dp/B07KZHQQHP> (Year: 2018).\*

*Primary Examiner* — Holly E Thurman  
*Assistant Examiner* — Altaira J Swangin

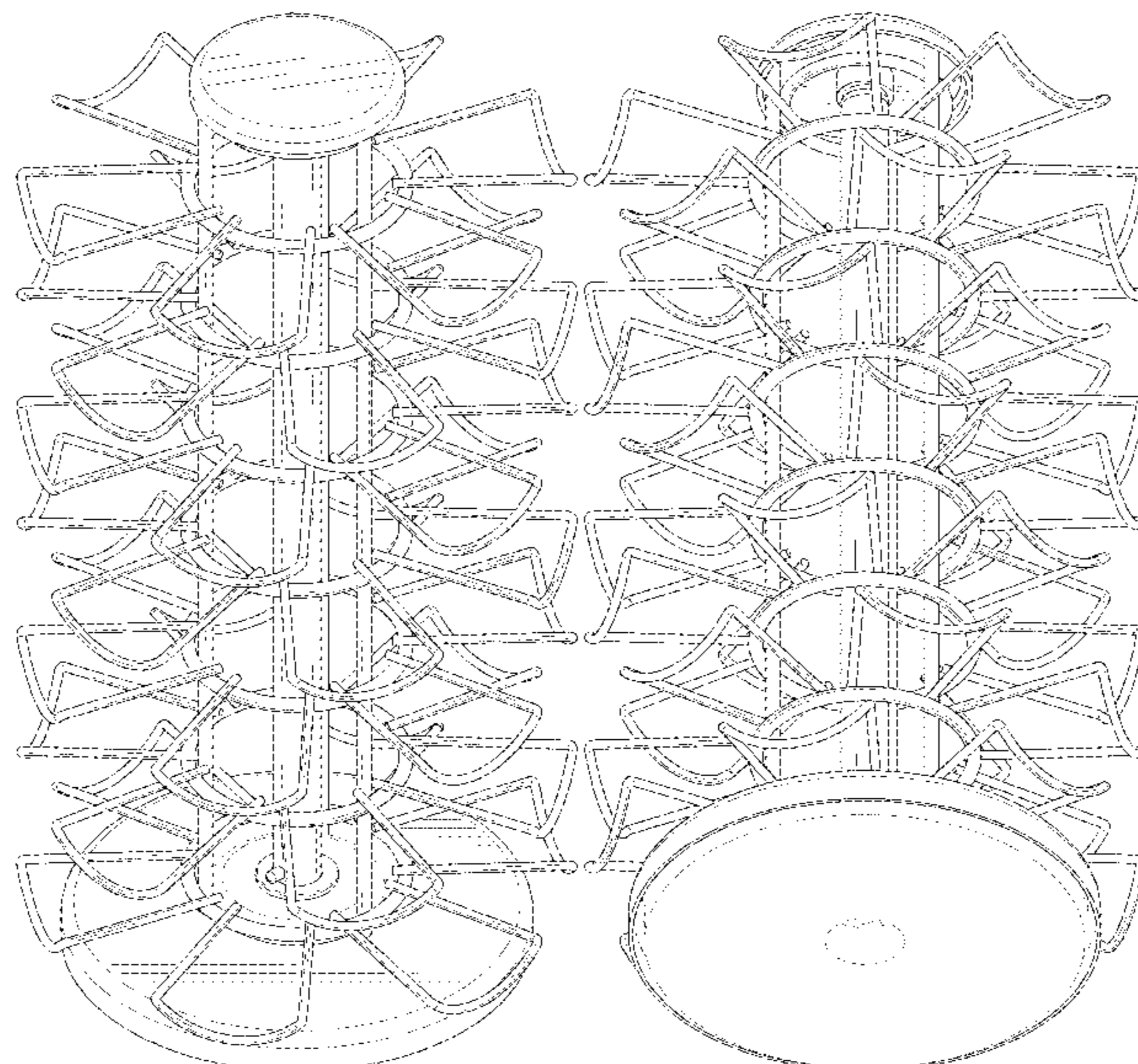
(57) **CLAIM**

The ornamental design for a rotary coffee pod holder, as shown and described.

**DESCRIPTION**

FIG. 1 is a front and top perspective view of a rotary coffee pod holder, showing my new design;  
FIG. 2 is a rear and bottom perspective view thereof;  
FIG. 3 is a front elevational view thereof;  
FIG. 4 is a rear elevational view thereof;  
FIG. 5 is a left side elevational view thereof;  
FIG. 6 is a right side elevational view thereof;  
FIG. 7 is a top plan view thereof; and,  
FIG. 8 is a bottom plan view thereof.  
The broken lines in the figures illustrate portions of the article that form no part of the claimed design.

**1 Claim, 8 Drawing Sheets**







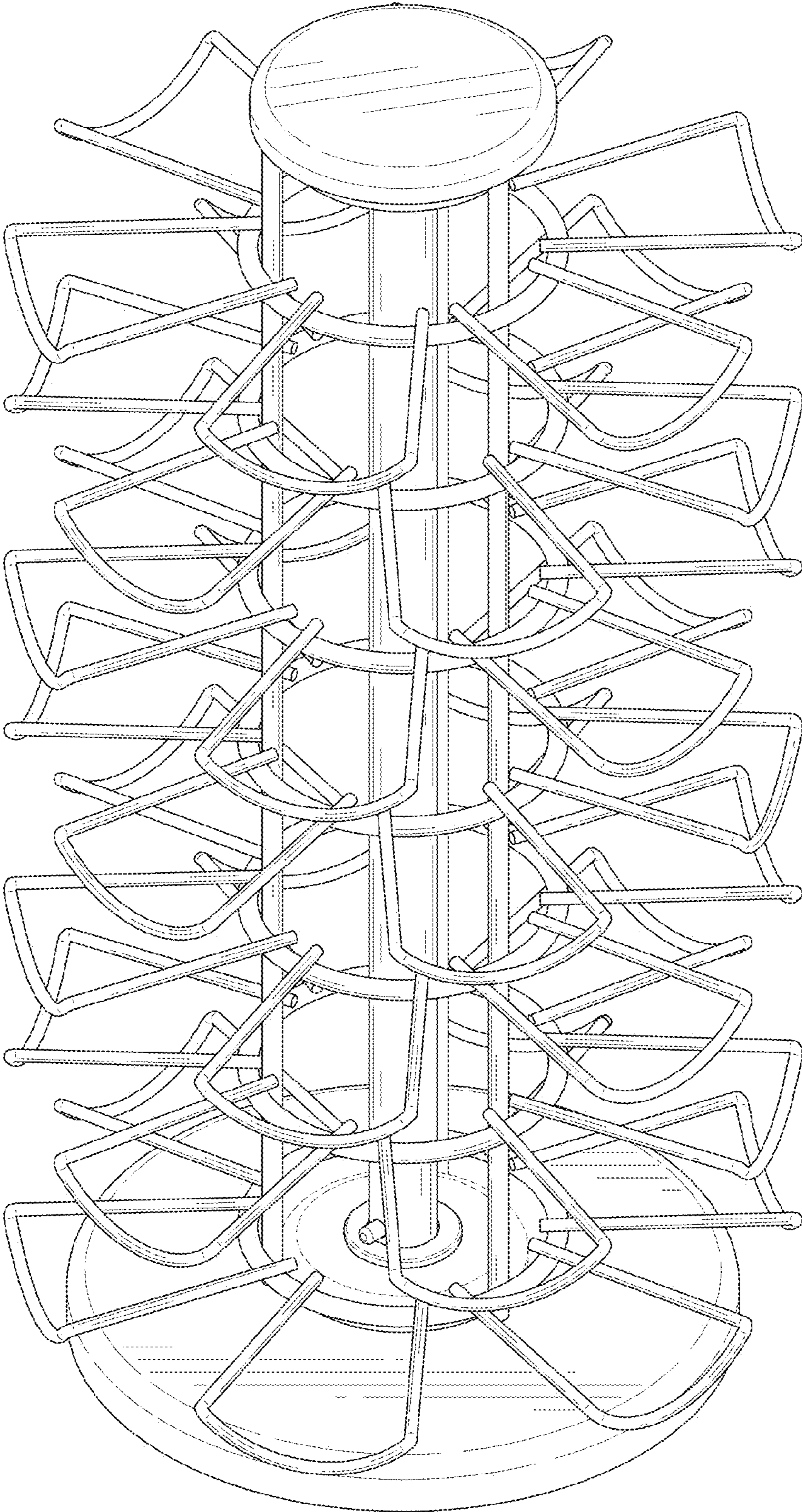


FIG. 1



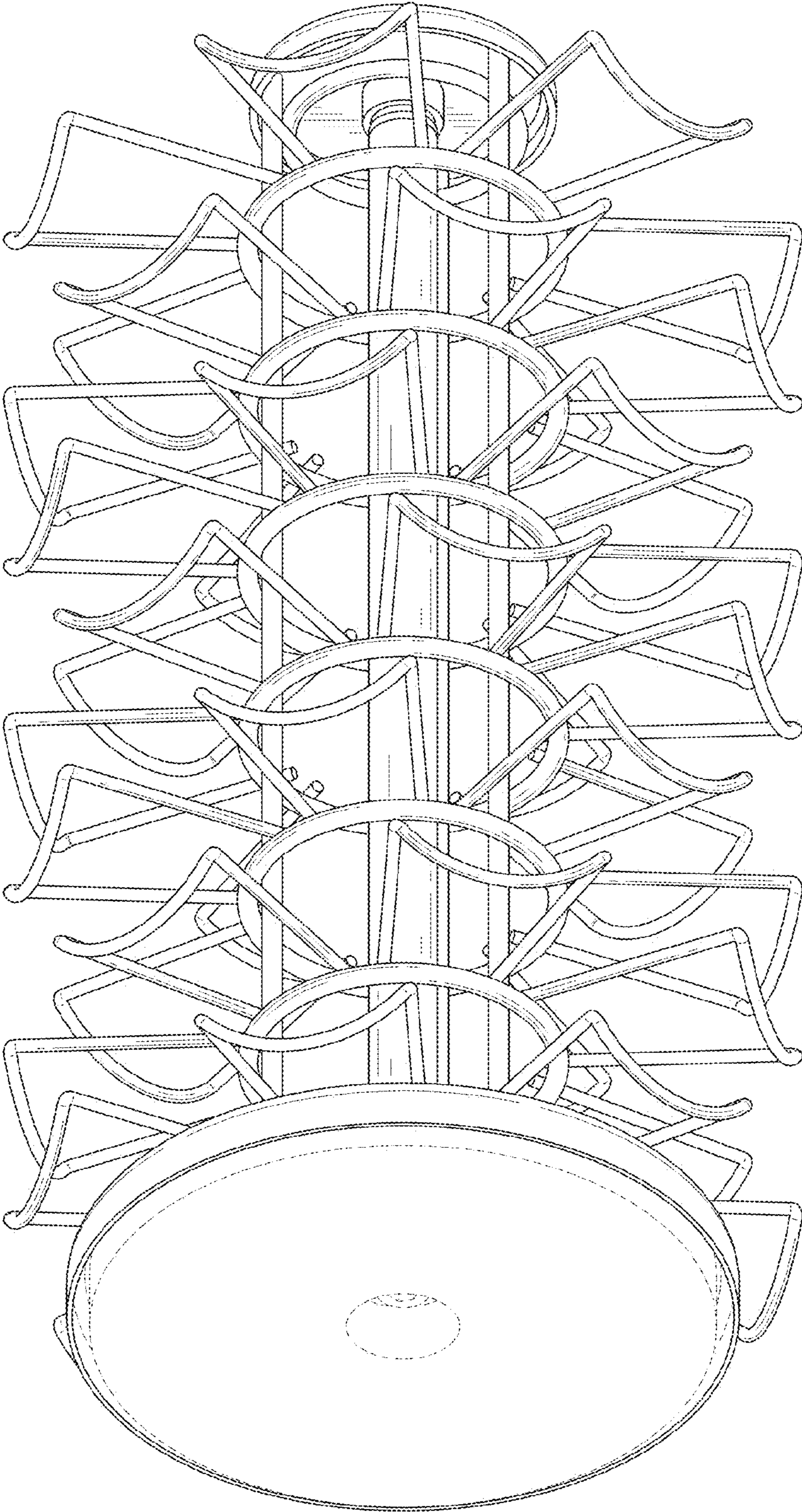


FIG. 2

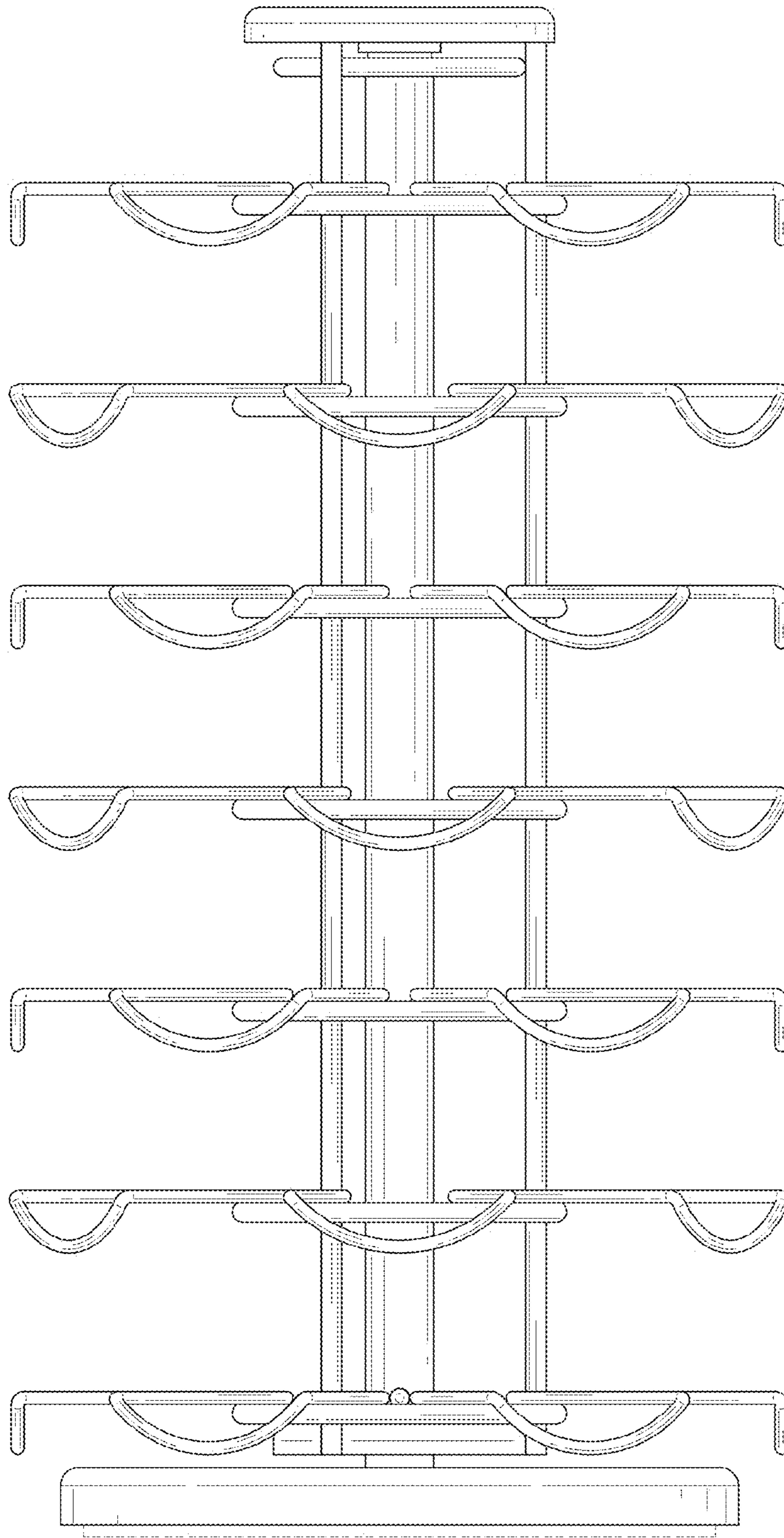


FIG. 3

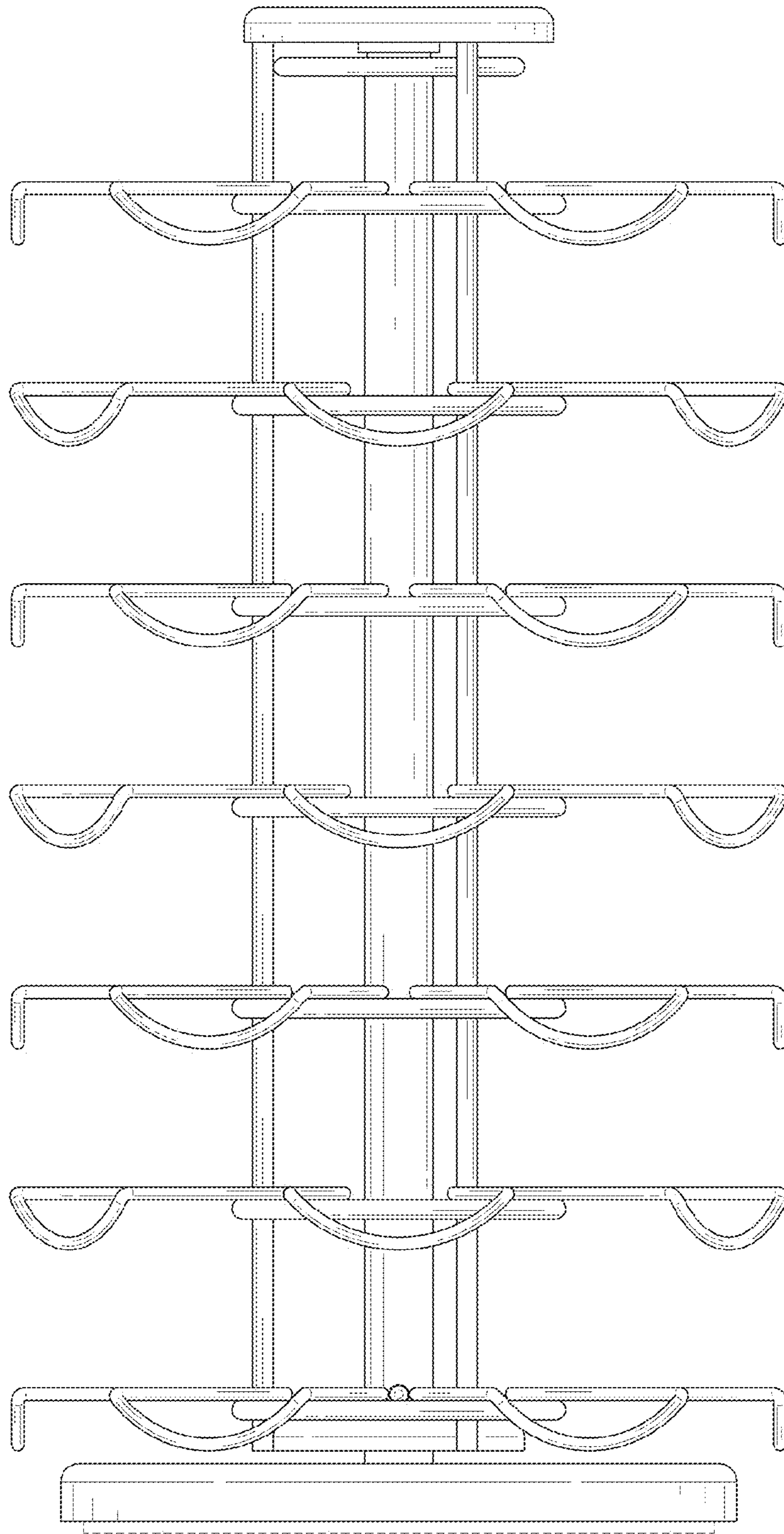


FIG. 4



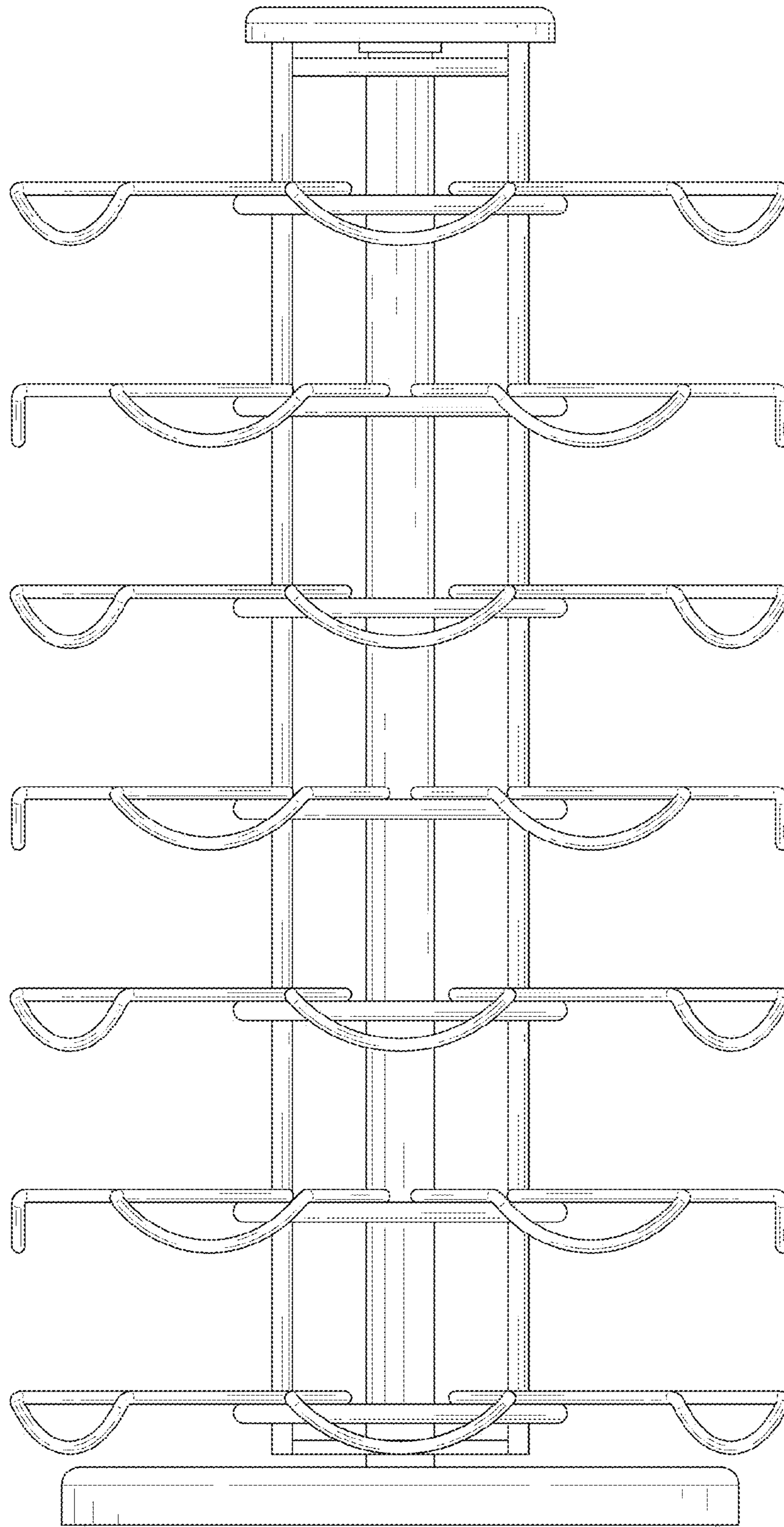


FIG. 5

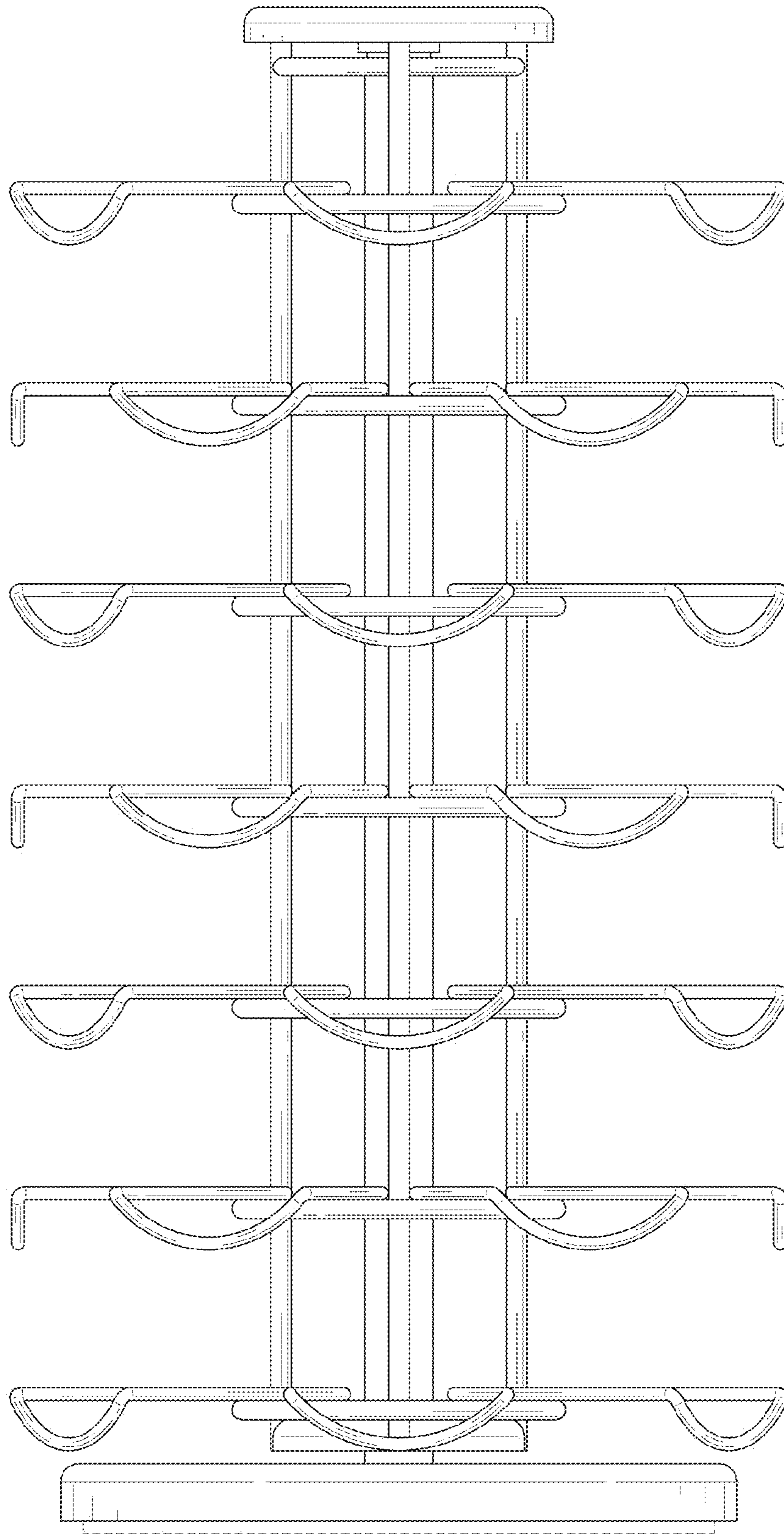


FIG. 6



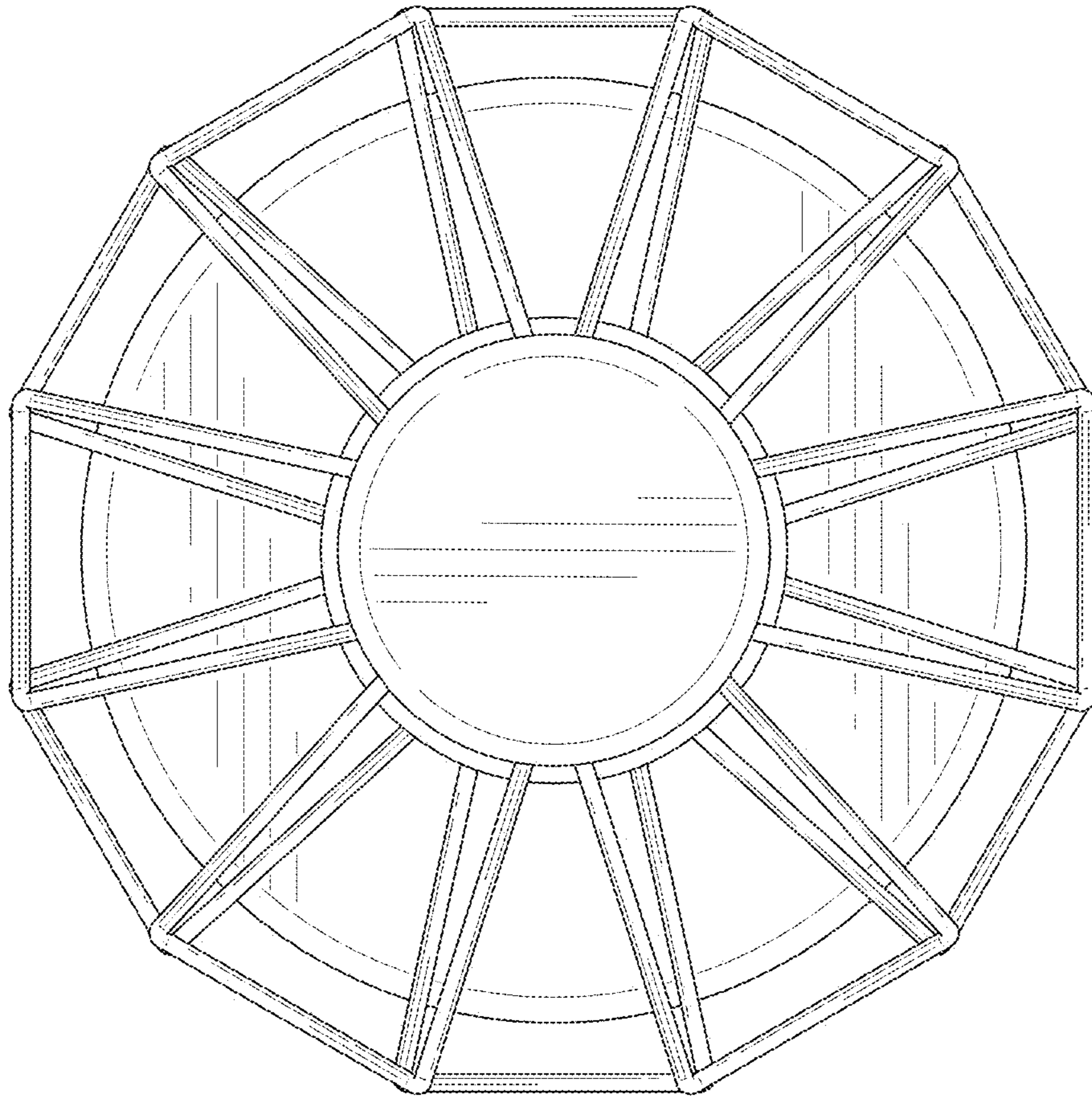


FIG. 7

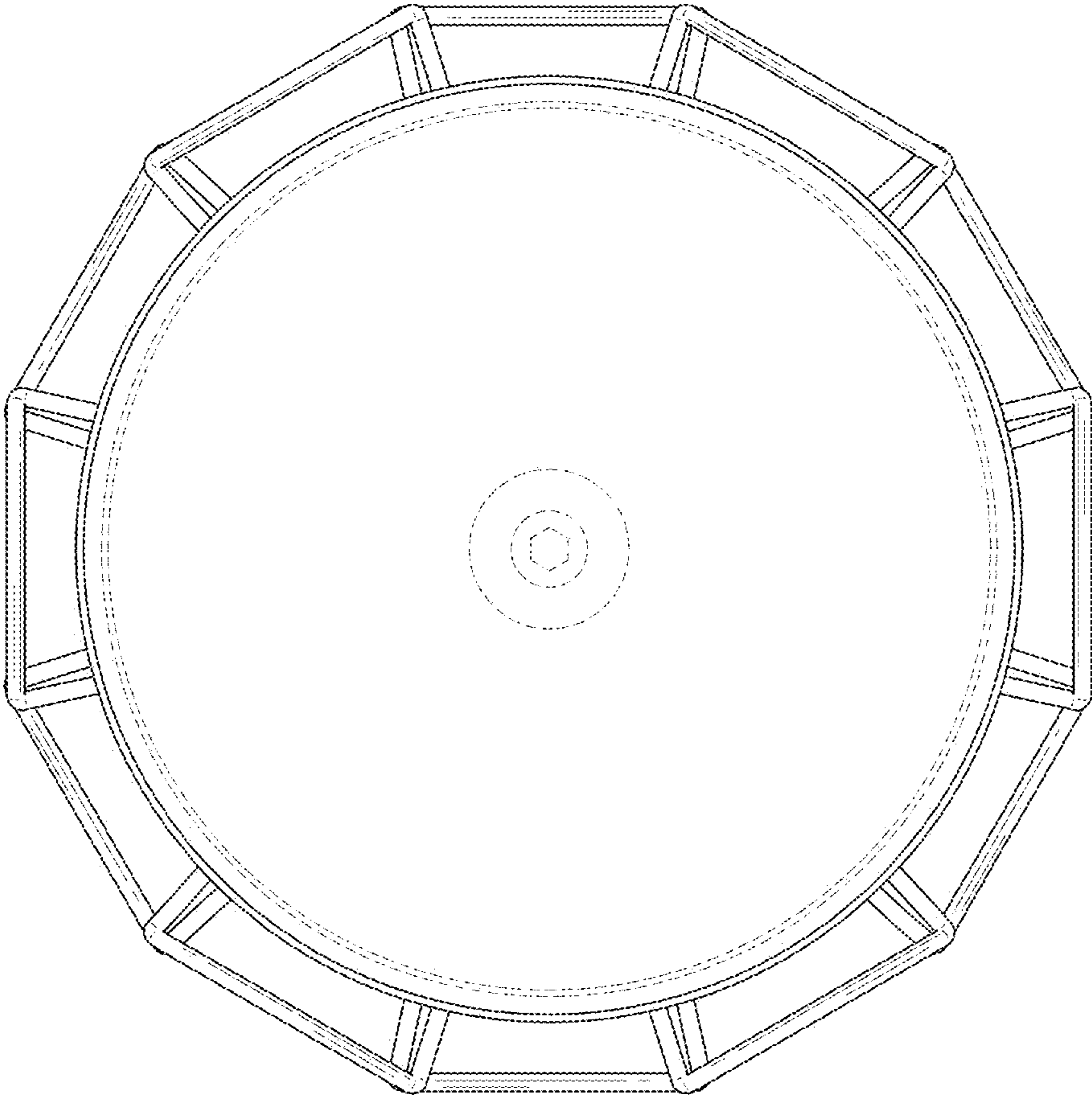


FIG. 8