



US00D961331S

(12) **United States Design Patent** (10) **Patent No.:** **US D961,331 S**
Silsby (45) **Date of Patent:** **** Aug. 23, 2022**

(54) **BEVERAGE CONTAINER**
(71) Applicant: **Pacific Market International, LLC**,
Seattle, WA (US)
(72) Inventor: **Jacob D. Silsby**, Seattle, WA (US)
(73) Assignee: **Pacific Market International, Inc.**,
Seattle, WA (US)

D660,081 S * 5/2012 Gilbert D7/396.2
D660,082 S * 5/2012 Wahl D7/510
D742,699 S * 11/2015 Boroski D7/608
D756,222 S * 5/2016 Lopez D23/260
D762,117 S * 7/2016 Joseph D7/387
D769,046 S * 10/2016 Beckman B65D 25/28
D786,619 S * 5/2017 Joseph D7/510
D806,467 S * 1/2018 Yao D7/392.1
D808,221 S * 1/2018 George D7/536

(**) Term: **15 Years**

(21) Appl. No.: **29/781,381**

(22) Filed: **Apr. 29, 2021**

Related U.S. Application Data

(62) Division of application No. 29/671,534, filed on Nov. 28, 2018, now Pat. No. Des. 917,968, which is a division of application No. 29/611,371, filed on Jul. 20, 2017, now Pat. No. Des. 837,598.

(51) **LOC (13) Cl.** **07-01**

(52) **U.S. Cl.**
USPC **D7/510; D7/533; D7/536**

(58) **Field of Classification Search**
USPC D7/507, 509, 510, 511, 523, 533, 534,
D7/535, 536, 608, 392.1, 396.2, 515, 516;
D8/107, 300; D24/197; D9/517, 532,
D9/503; 220/710.5, 592.16, 592.17
CPC D47G 19/22; B65D 1/265; A47G 19/2266;
A47J 41/02; A45F 3/16
See application file for complete search history.

(56) **References Cited**

U.S. PATENT DOCUMENTS

D398,478 S * 9/1998 Spencer D7/510
D531,036 S * 10/2006 Bried D9/504
D536,614 S * 2/2007 Peterson D9/454
D599,621 S * 9/2009 Poindexter D7/532
D616,248 S * 5/2010 George D7/510
D659,474 S * 5/2012 Wahl D7/510

(Continued)

OTHER PUBLICATIONS

Steel Interior, Durable Exterior Coating and Leak-Proof Lid https://www.amazon.com/dp/B07NSVXFYP/ref=cm_sw_em_r_mt_dp_PAEBQZZ785C1545JMM8K?_encoding=UTF8 Dec. 4, 2017 (Year: 2017).*

(Continued)

Primary Examiner — Jae Liang
(74) *Attorney, Agent, or Firm* — George C. Rondeau, Jr.;
Davis Wright Tremaine LLP

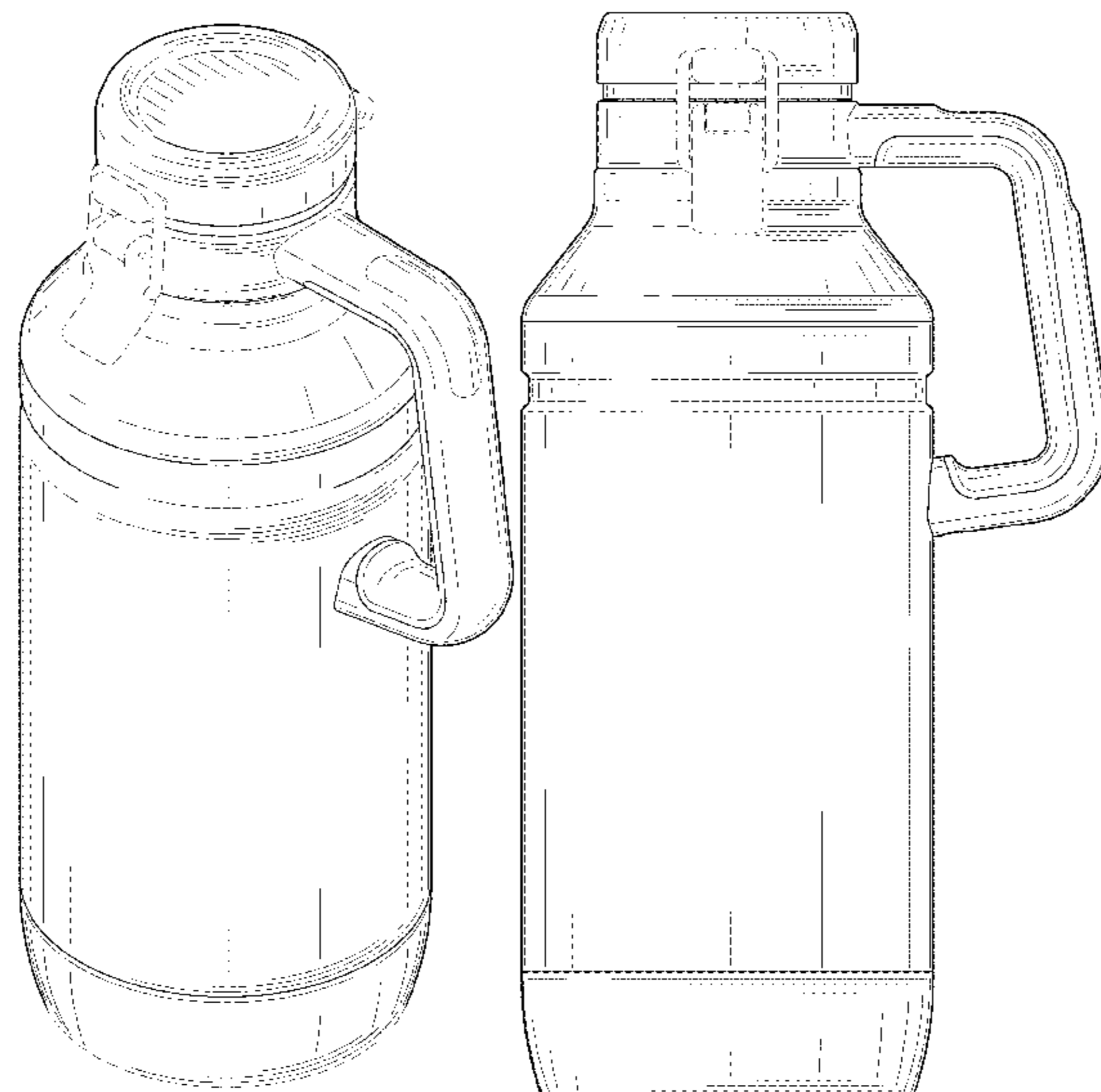
(57) **CLAIM**

The ornamental design for a beverage container, as shown and described.

DESCRIPTION

FIG. 1 is a top perspective view of a third embodiment thereof.
FIG. 2 is a bottom perspective view thereof.
FIG. 3 is a front elevational view thereof.
FIG. 4 is a right side elevational view thereof.
FIG. 5 is a rear side elevational view thereof.
FIG. 6 is a left elevational view thereof.
FIG. 7 is a top plan view thereof; and,
FIG. 8 is a bottom plan view thereof.
The broken lines in the drawings depict portions of the beverage container that form no part of the claimed design.

1 Claim, 7 Drawing Sheets



(56)

References Cited

U.S. PATENT DOCUMENTS

D808,735	S	*	1/2018	Beckman	D7/608
D809,347	S	*	2/2018	Silsby	D7/608
D817,093	S	*	5/2018	Silsby	D7/510
D817,094	S	*	5/2018	Silsby	D7/510
D820,086	S	*	6/2018	Lynd	D9/454

OTHER PUBLICATIONS

https://www.amazon.com/Stanley-Vacuum-Growler-Matte-Black/dp/B086CT6XGZ?ref_ast_sto_dp&th=1 Mar. 25, 2020 (Year: 2020).*

MiiR Growler, 1 page, MiiR product publicly disclosed prior to Jul. 20, 2017.

Stanley Classic Growler, 1 page, Stanley product publicly disclosed prior to Jul. 20, 2017.

* cited by examiner

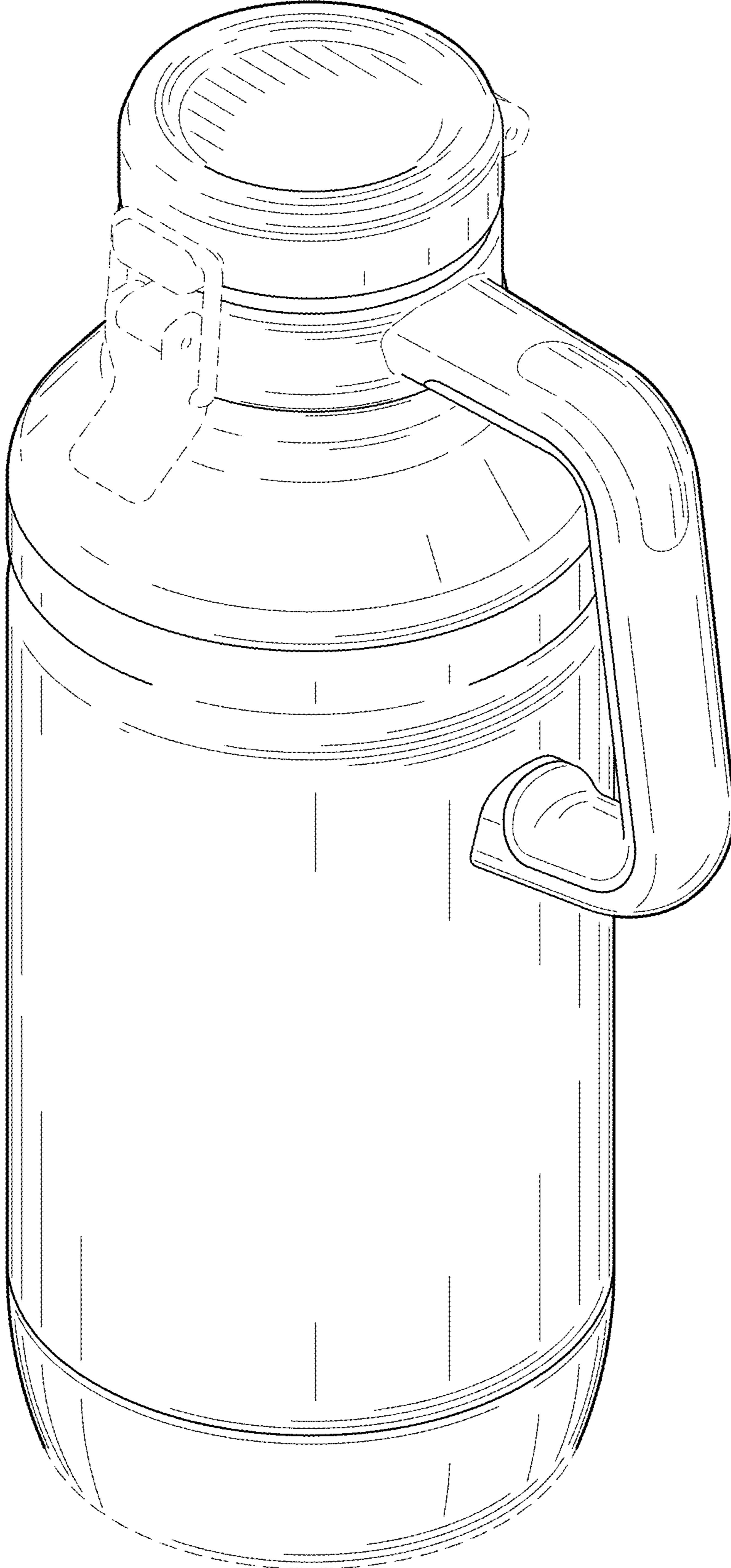


FIG. 1

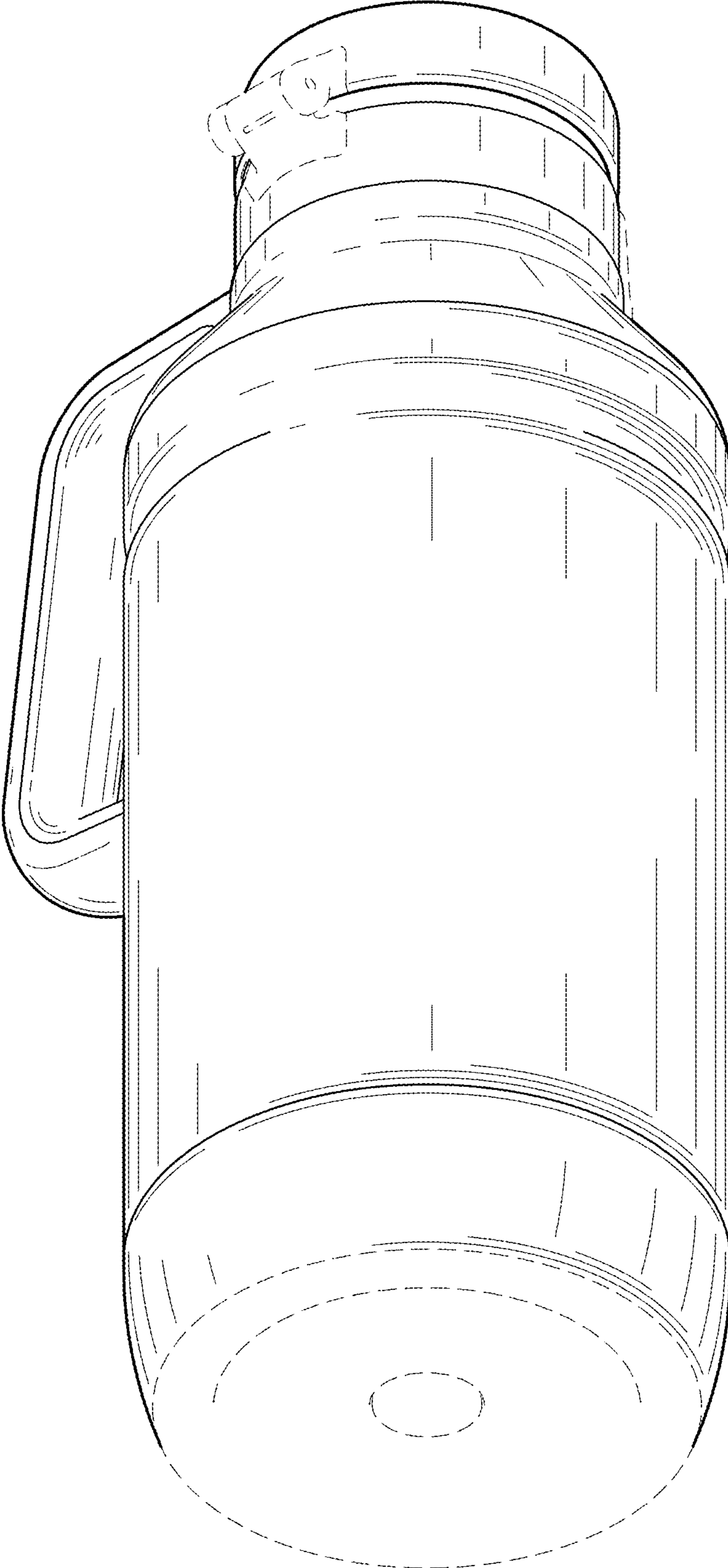


FIG. 2

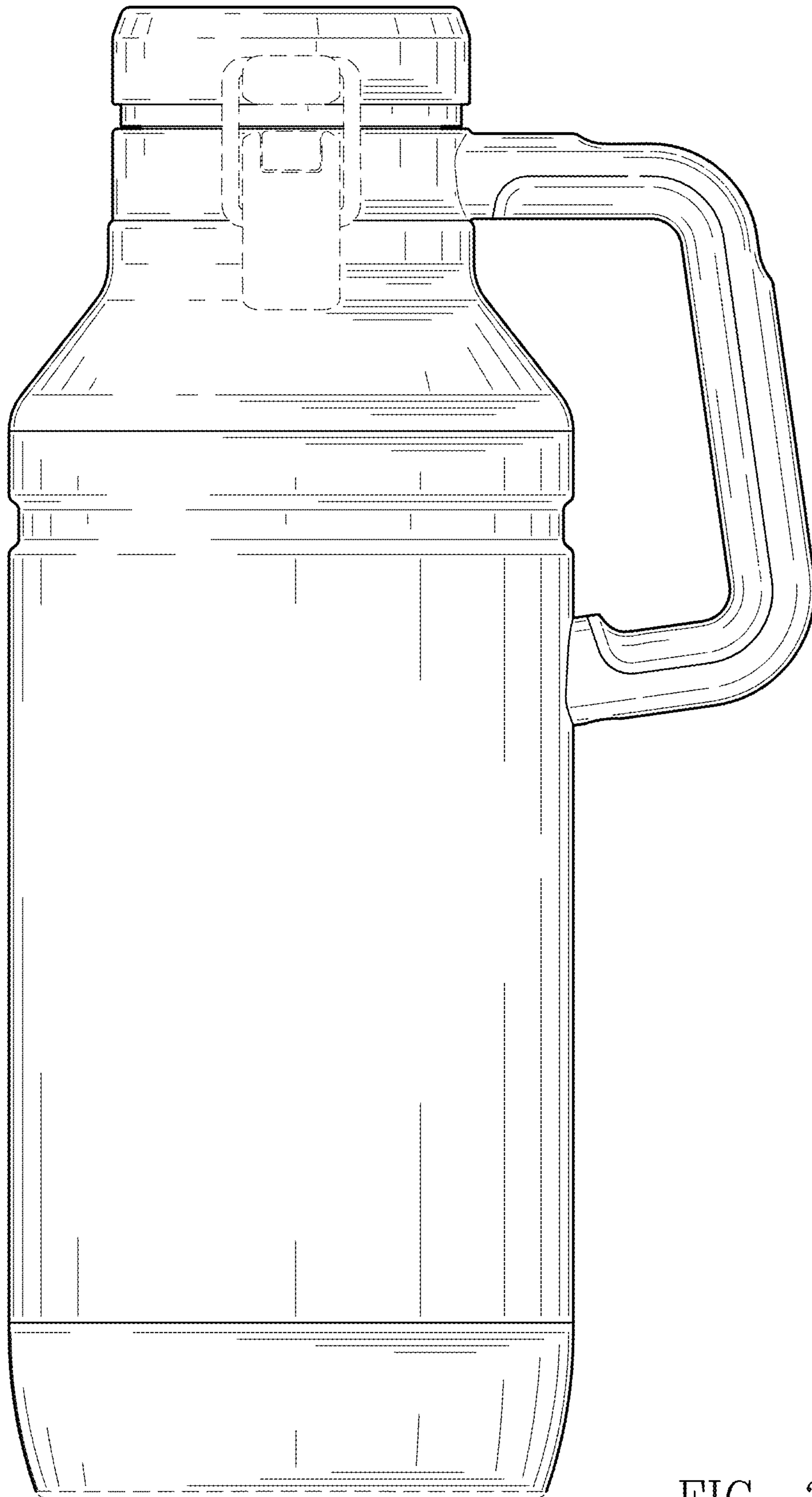


FIG. 3

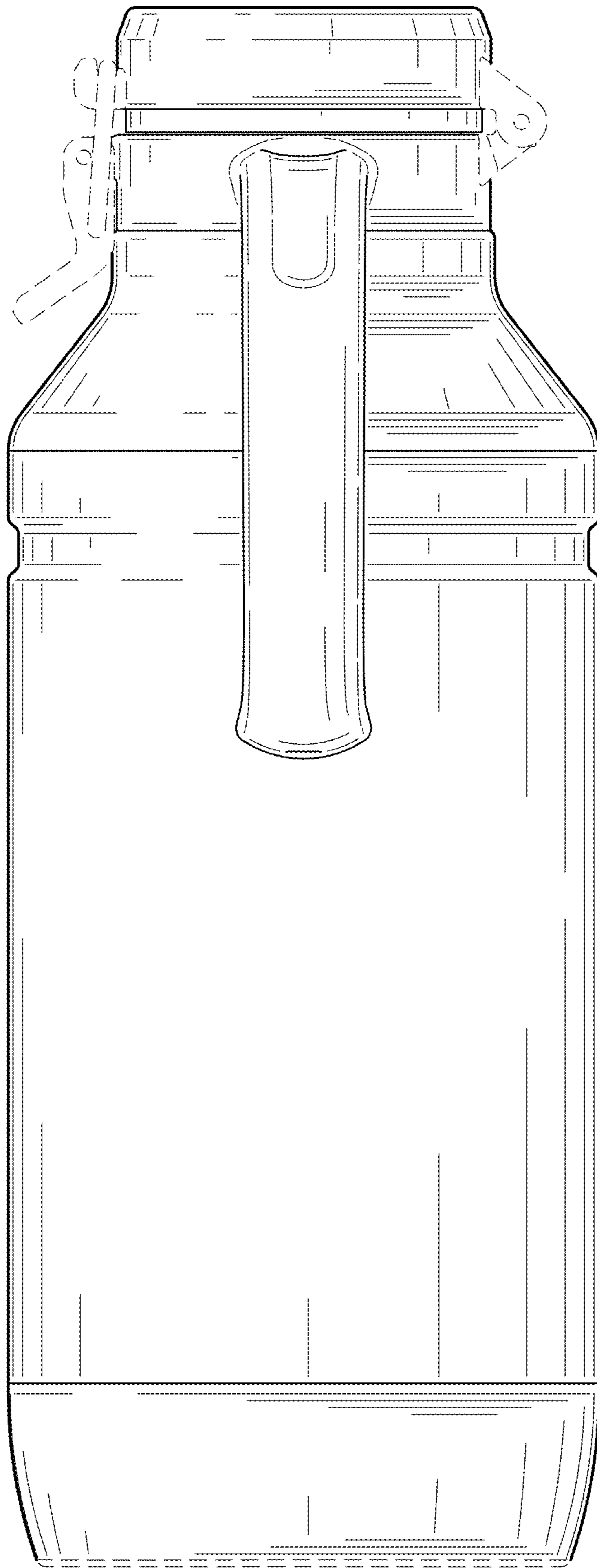


FIG. 4

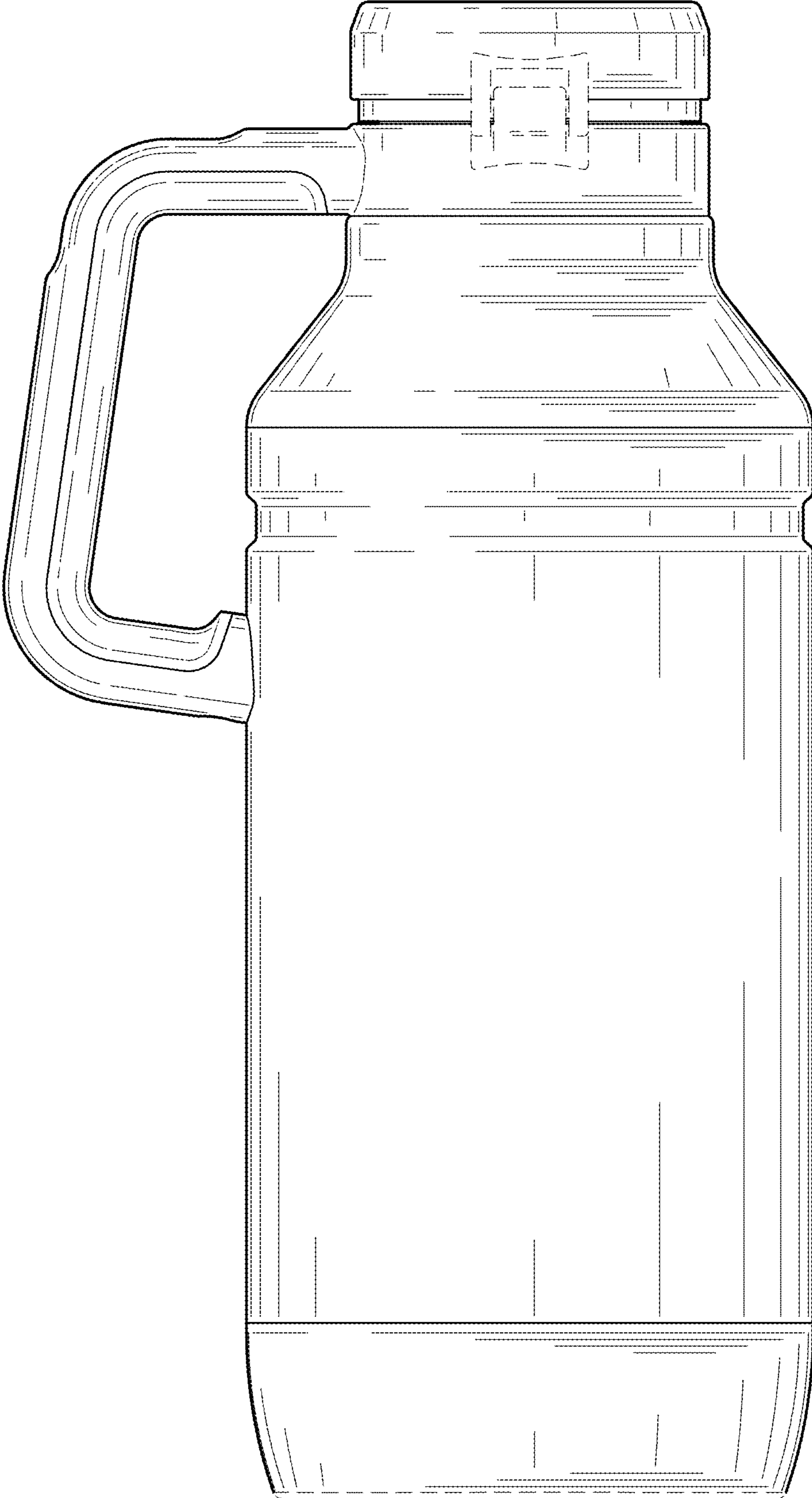


FIG. 5

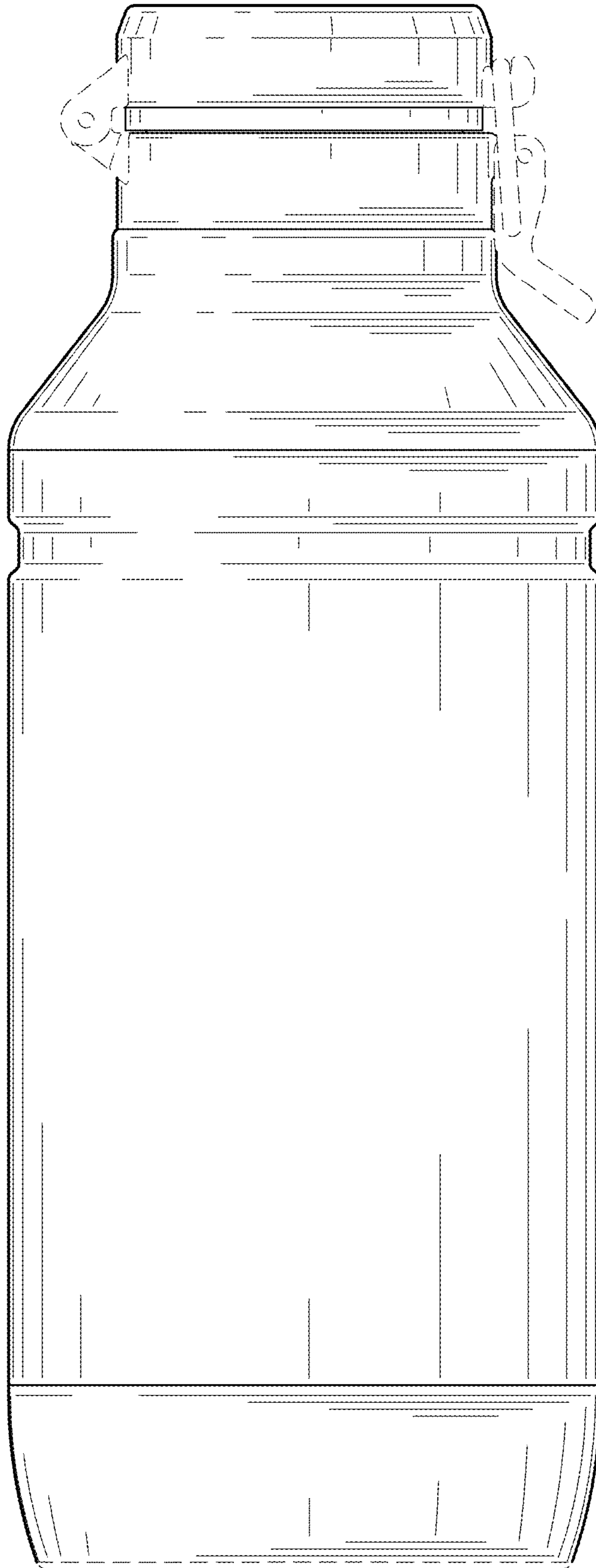


FIG. 6

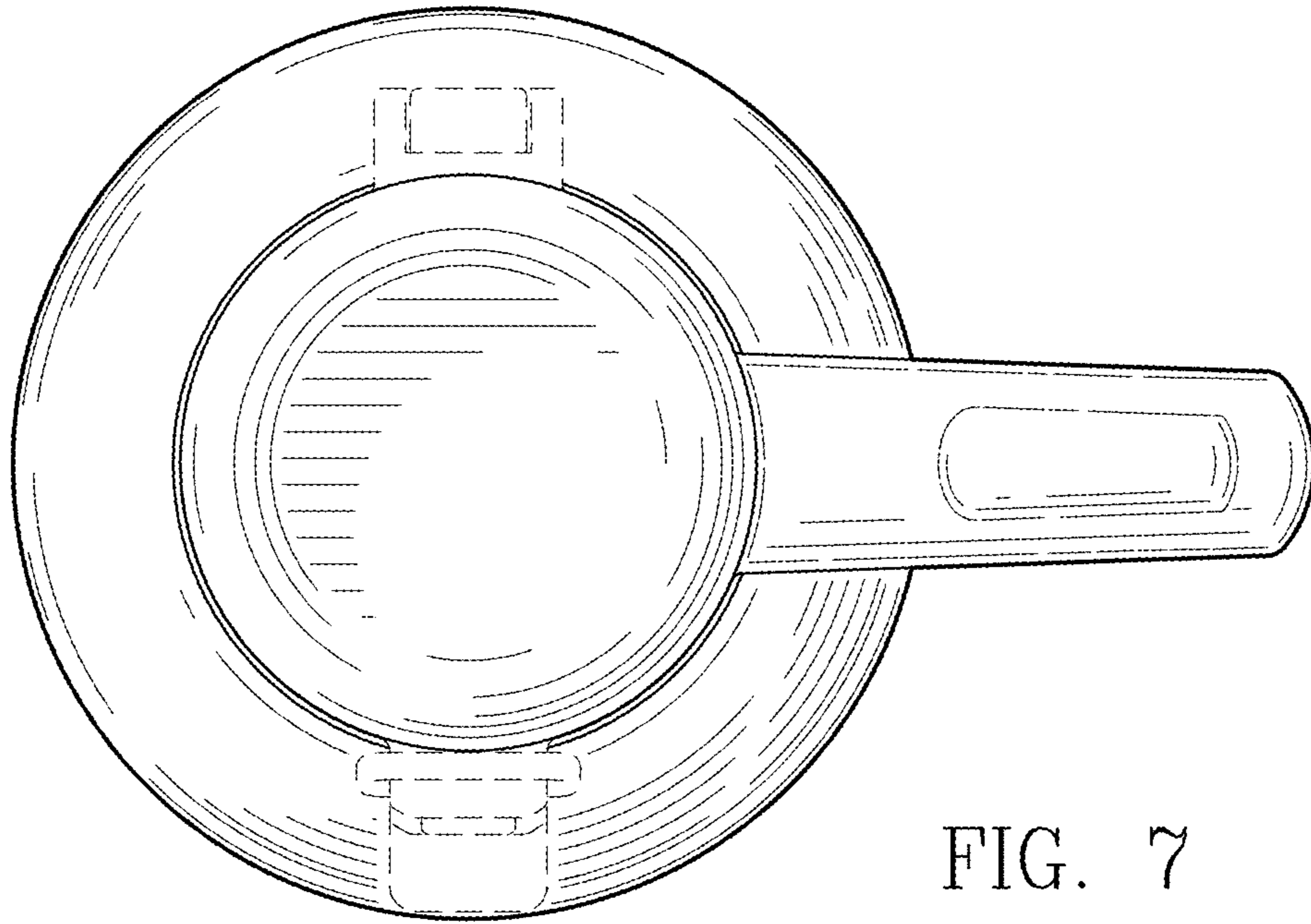


FIG. 7

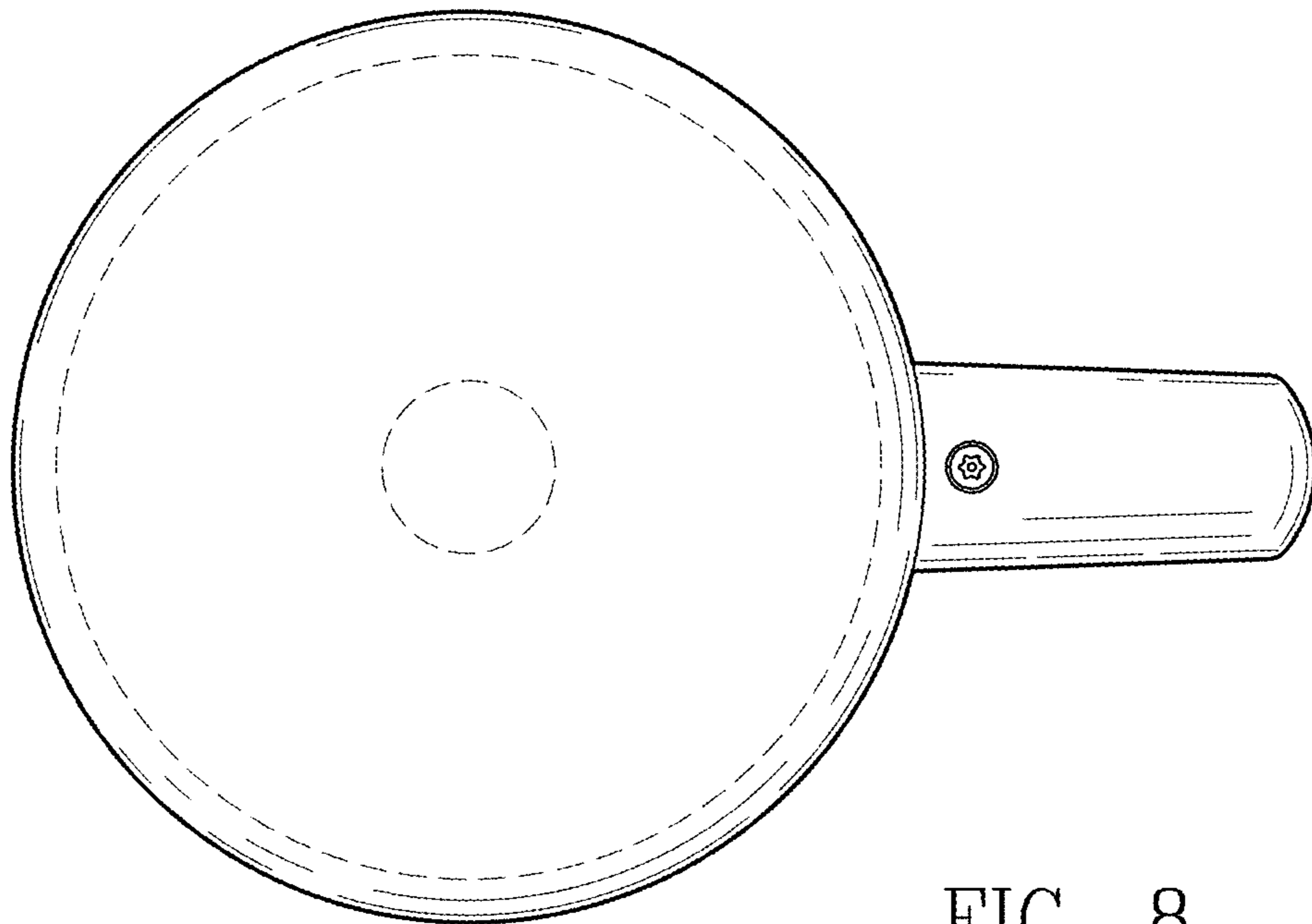


FIG. 8