



US00D961330S

(12) **United States Design Patent** (10) **Patent No.:** **US D961,330 S**
Zhou (45) **Date of Patent:** **** Aug. 23, 2022**

(54) **ELECTRIC COOKER LID**

CPC ... A47G 1/20; A47J 31/44; A47J 31/52; A47J 43/04; A47J 43/44

(71) Applicant: **MIDEA GROUP CO., LTD.**,
Guangdong (CN)

See application file for complete search history.

(72) Inventor: **Runsheng Zhou**, Guangdong (CN)

(56) **References Cited**

(73) Assignee: **MIDEA GROUP CO., LTD.**, Foshan
(CN)

U.S. PATENT DOCUMENTS

(**) Term: **15 Years**

(21) Appl. No.: **35/510,972**

(22) Filed: **Oct. 28, 2020**

- 1,768,954 A * 7/1930 Henning A21B 3/13
220/4.03
- D257,938 S * 1/1981 Danley D7/402
- 4,330,696 A * 5/1982 Pomeroy H05B 6/6411
219/755
- D344,873 S * 3/1994 Chang D7/350.3
- 5,768,976 A * 6/1998 Suk A47J 27/0806
220/325
- D486,351 S * 2/2004 Lu D7/354
- D530,564 S * 10/2006 Chiba D7/360
- D689,738 S * 9/2013 Hobbs D7/402
- 8,772,685 B2 * 7/2014 Backaert H05B 6/804
219/688
- D854,875 S * 7/2019 Tan D7/354
- D900,529 S * 11/2020 You D7/358

(80) **Hague Agreement Data**

Int. Filing Date: **Oct. 28, 2020**
Int. Reg. No.: **DM/211571**
Int. Reg. Date: **Oct. 28, 2020**
Int. Reg. Pub. Date: **Dec. 18, 2020**

(Continued)

Primary Examiner — Karen S Acker

(74) *Attorney, Agent, or Firm* — Morgan, Lewis & Bockius LLP

(30) **Foreign Application Priority Data**

Jul. 16, 2020 (CN) 202030387990.5

(57) **CLAIM**

The ornamental design for an electric cooker lid, as shown and described.

(51) **LOC (13) Cl.** **07-02**

(52) **U.S. Cl.**
USPC **D7/402**

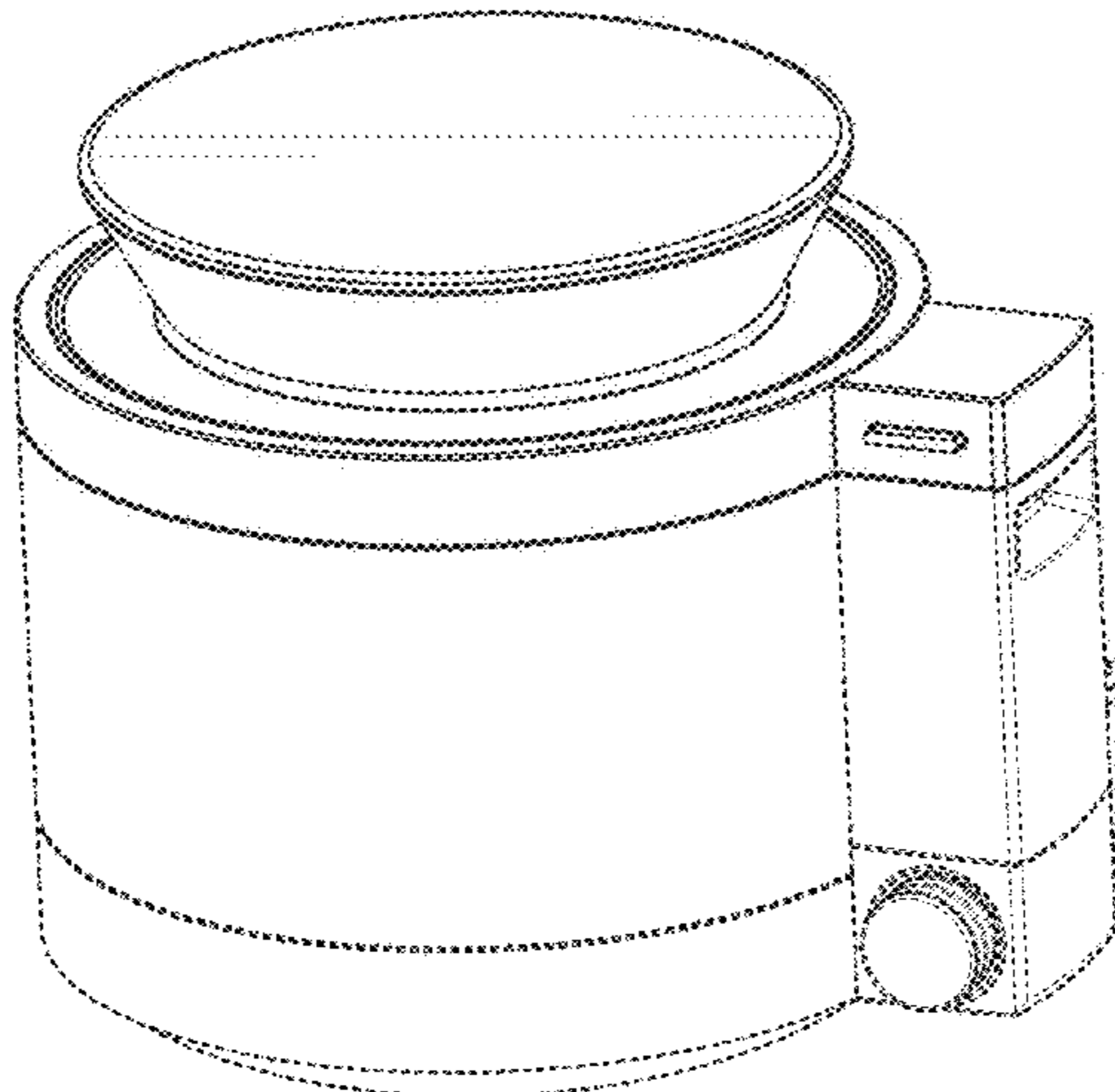
DESCRIPTION

(58) **Field of Classification Search**

USPC D7/213, 323, 330, 337, 340, 348, 350.3,
D7/354, 357, 362, 368, 400, 401.1, 401.2,
D7/402, 510, 511, 523, 533, 536, 566,
D7/600, 600.1, 602, 609, 624.1, 638, 672,
D7/701; D6/512, 522, 561, 571, 572,
D6/573, 661, 661.2, 602, 663, 671, 672,
D6/675, 681.2, 683.1; D32/58

- 1. Electric cooker lid
 - 1.1 : Front
 - 1.2 : Back
 - 1.3 : Left
 - 1.4 : Right
 - 1.5 : Top
 - 1.6 : Bottom
 - 1.7 : Perspective
 - 1.8 : Reference view of state of use
- The broken lines depict portions of the electric cooker lid that form no part of the claimed design. The dash-dot-dash broken lines in Reproduction 1.6 depict the boundaries of

(Continued)



the claimed design and form no part thereof. In Reproduction 1.8, the broken lines depict environmental subject matter that forms no part of the claimed design.

1 Claim, 8 Drawing Sheets

(56)

References Cited

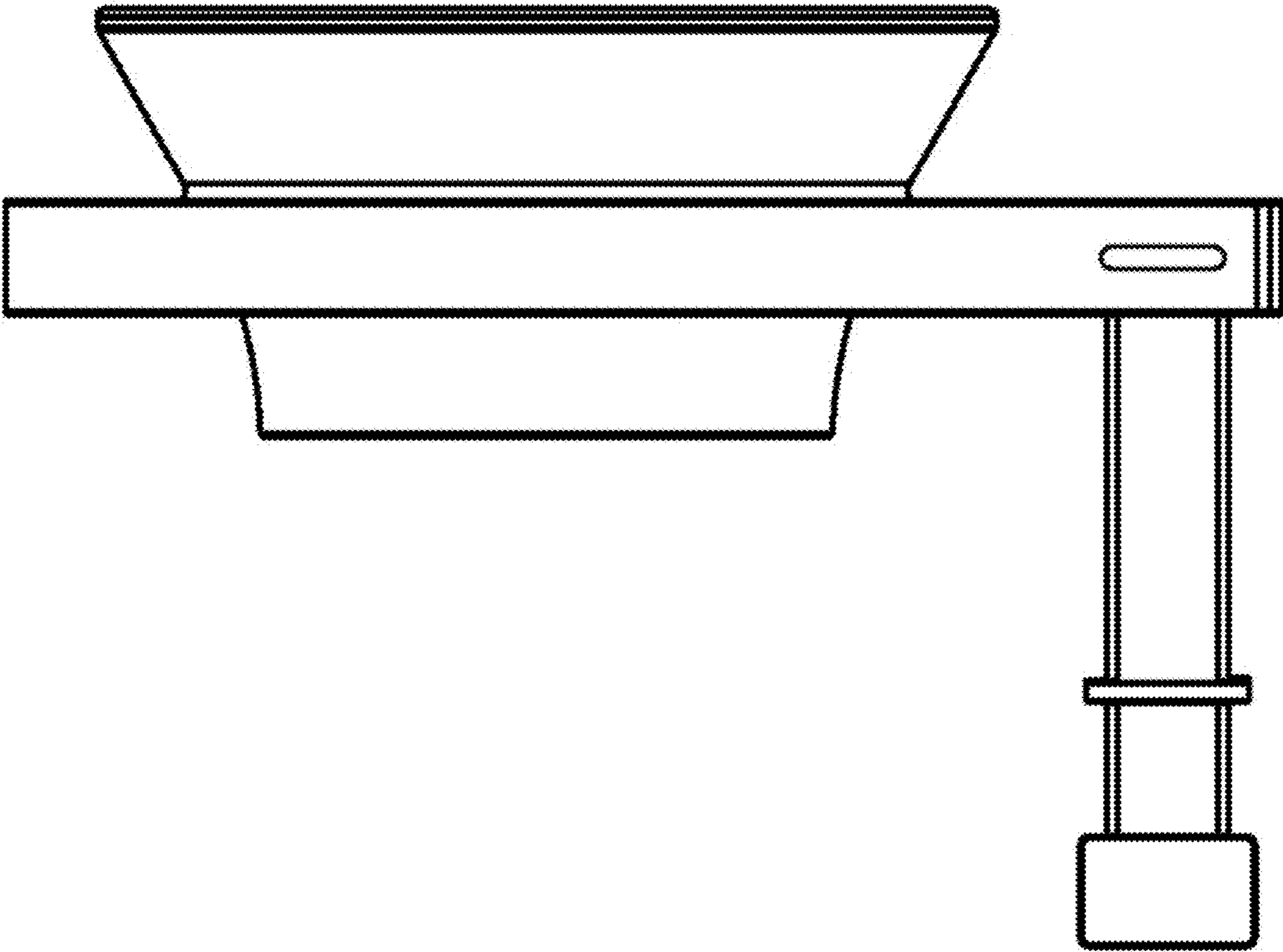
U.S. PATENT DOCUMENTS

D915,125 S *	4/2021	Moon	D7/354
D915,126 S *	4/2021	Moon	D7/354
D920,733 S *	6/2021	Cozzolino	D7/358
11,134,808 B2 *	10/2021	Elliston	A47J 36/32
D935,834 S *	11/2021	You	D7/358
2006/0045939 A1 *	3/2006	Mihalos	A21D 13/32 426/94
2007/0158339 A1 *	7/2007	Beckman	A47J 36/027 219/734

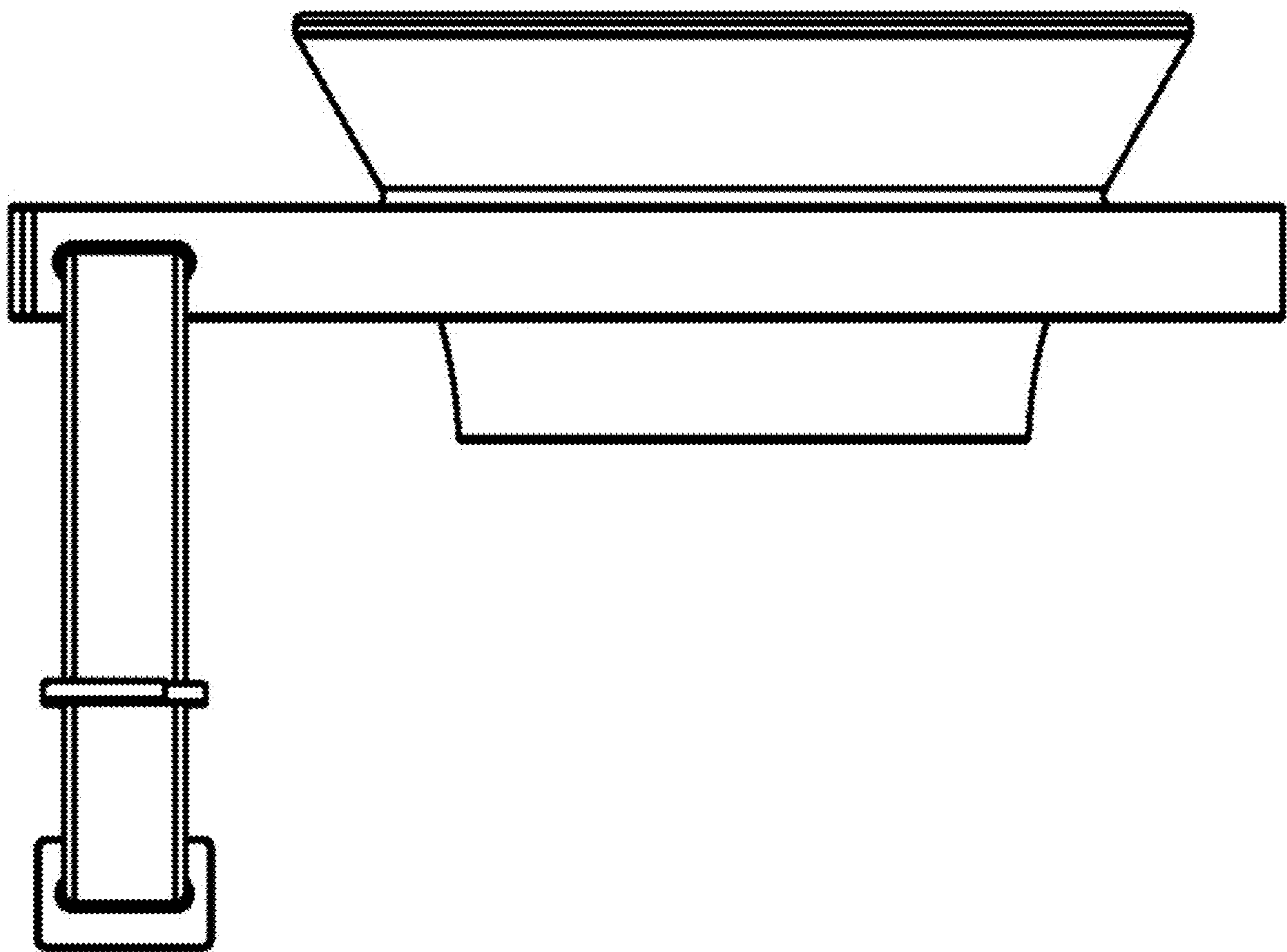
2009/0095169 A1 *	4/2009	York	A47J 27/004 220/573.5
2010/0196572 A1 *	8/2010	Sloot	A23L 7/196 392/465
2012/0012010 A1 *	1/2012	Baraille	A47J 27/0802 99/325
2014/0245898 A1 *	9/2014	Froza	A47J 36/16 99/341
2017/0347833 A1 *	12/2017	Ohta	A47J 37/0623
2019/0274462 A1 *	9/2019	Moon	A47J 27/086
2020/0000263 A1 *	1/2020	Peng	A47J 27/0802
2020/0128996 A1 *	4/2020	Qin	A47J 27/0802
2020/0260899 A1 *	8/2020	Nam	H05B 3/0014
2020/0260901 A1 *	8/2020	Nam	A47J 27/0815
2020/0260902 A1 *	8/2020	Nam	A47J 27/086
2020/0359824 A1 *	11/2020	Han	A47J 27/004
2021/0007532 A1 *	1/2021	Park	A47J 27/004
2021/0007545 A1 *	1/2021	Kim	A47J 27/04
2021/0022541 A1 *	1/2021	Bauer	A47J 27/004
2021/0068578 A1 *	3/2021	Peng	A47J 27/092

* cited by examiner

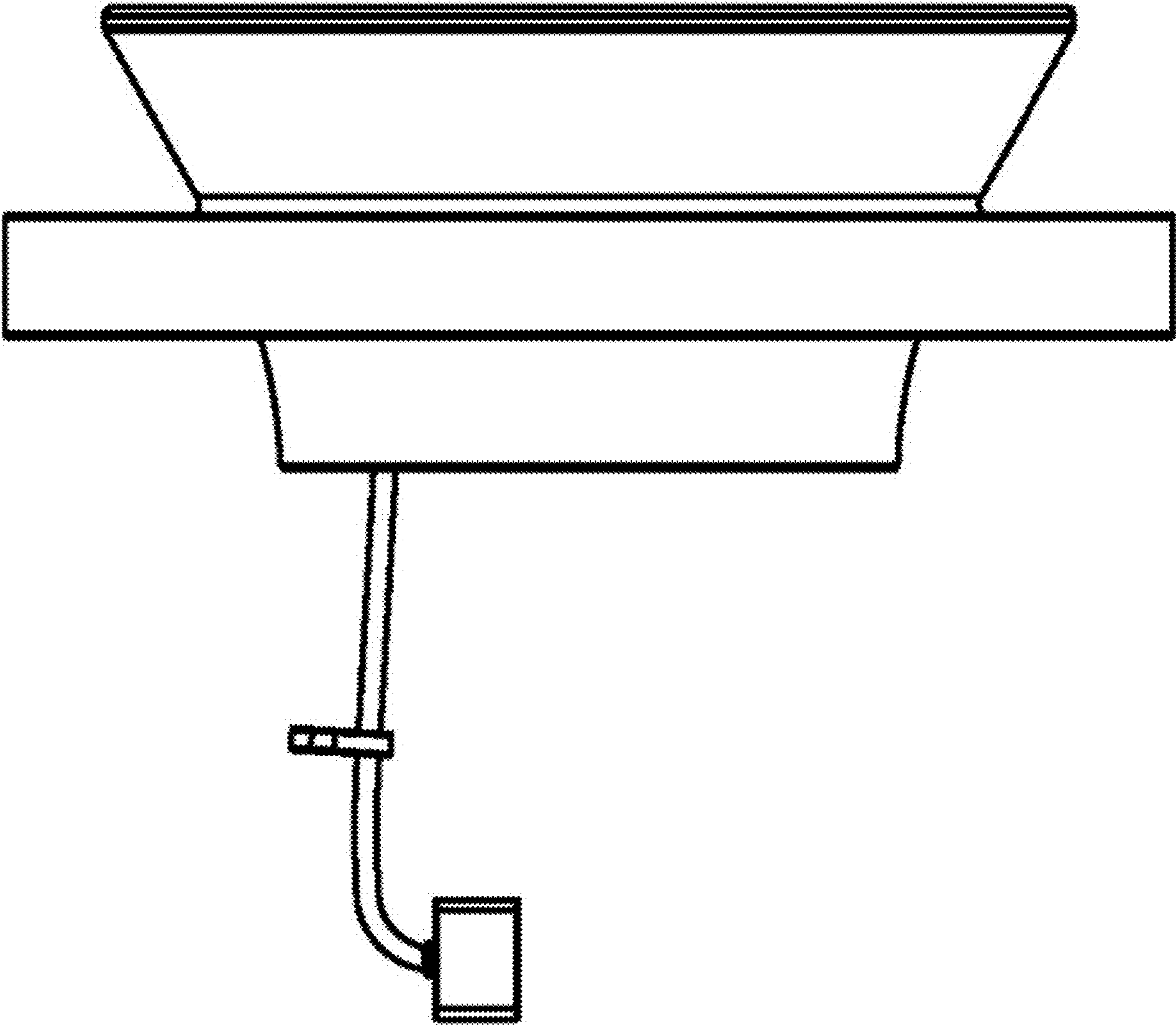
1.1



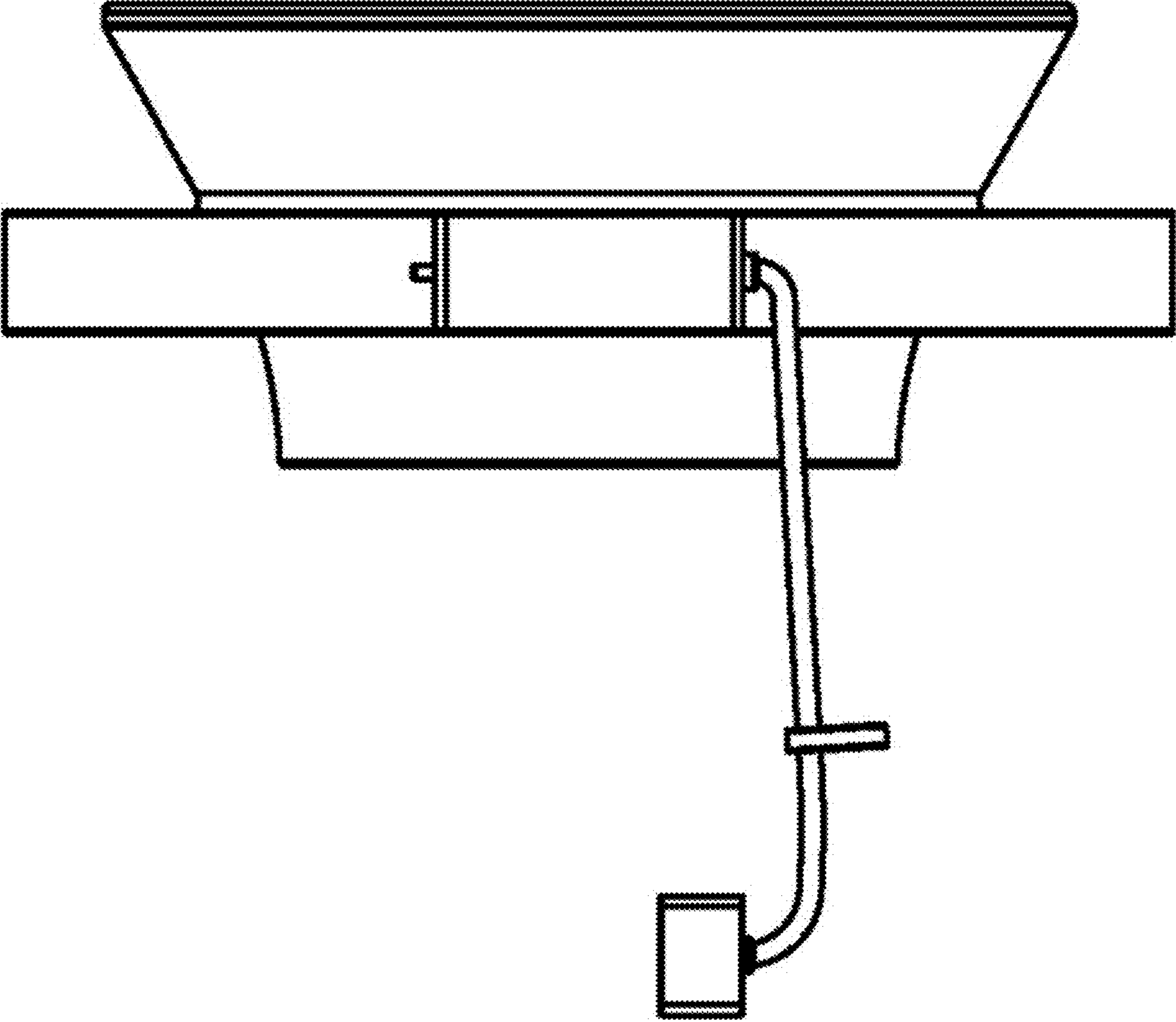
1.2



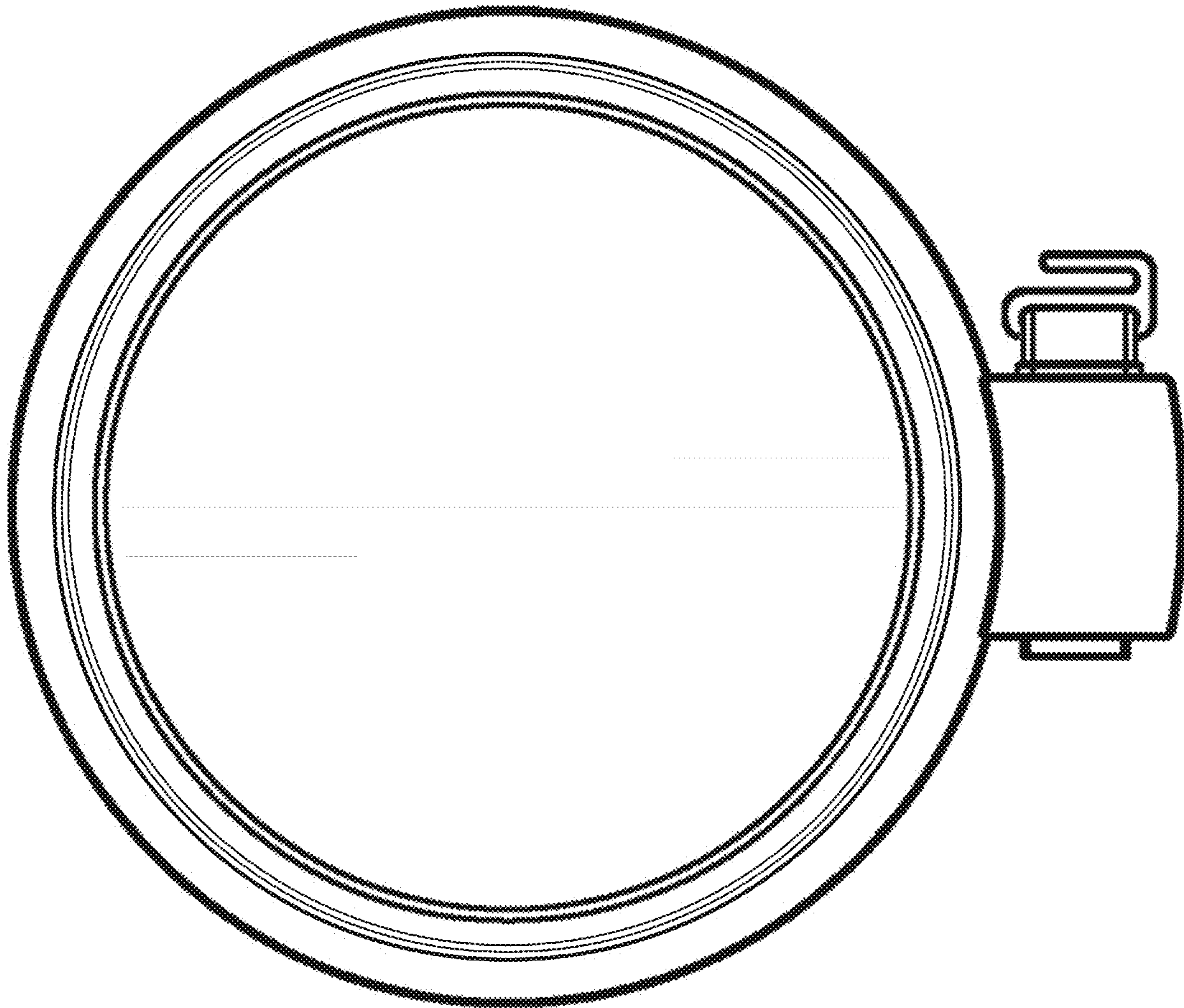
1.3



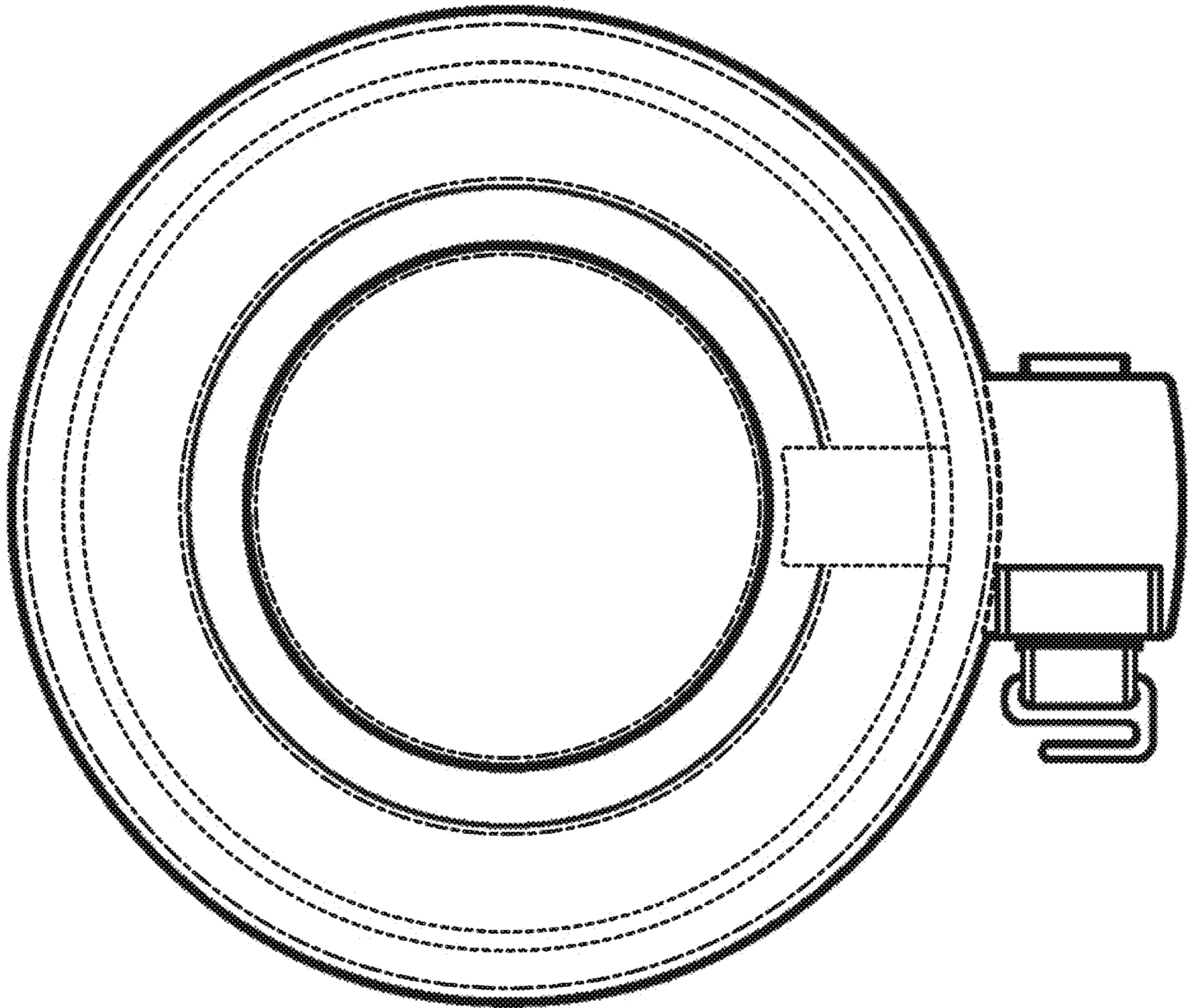
1.4



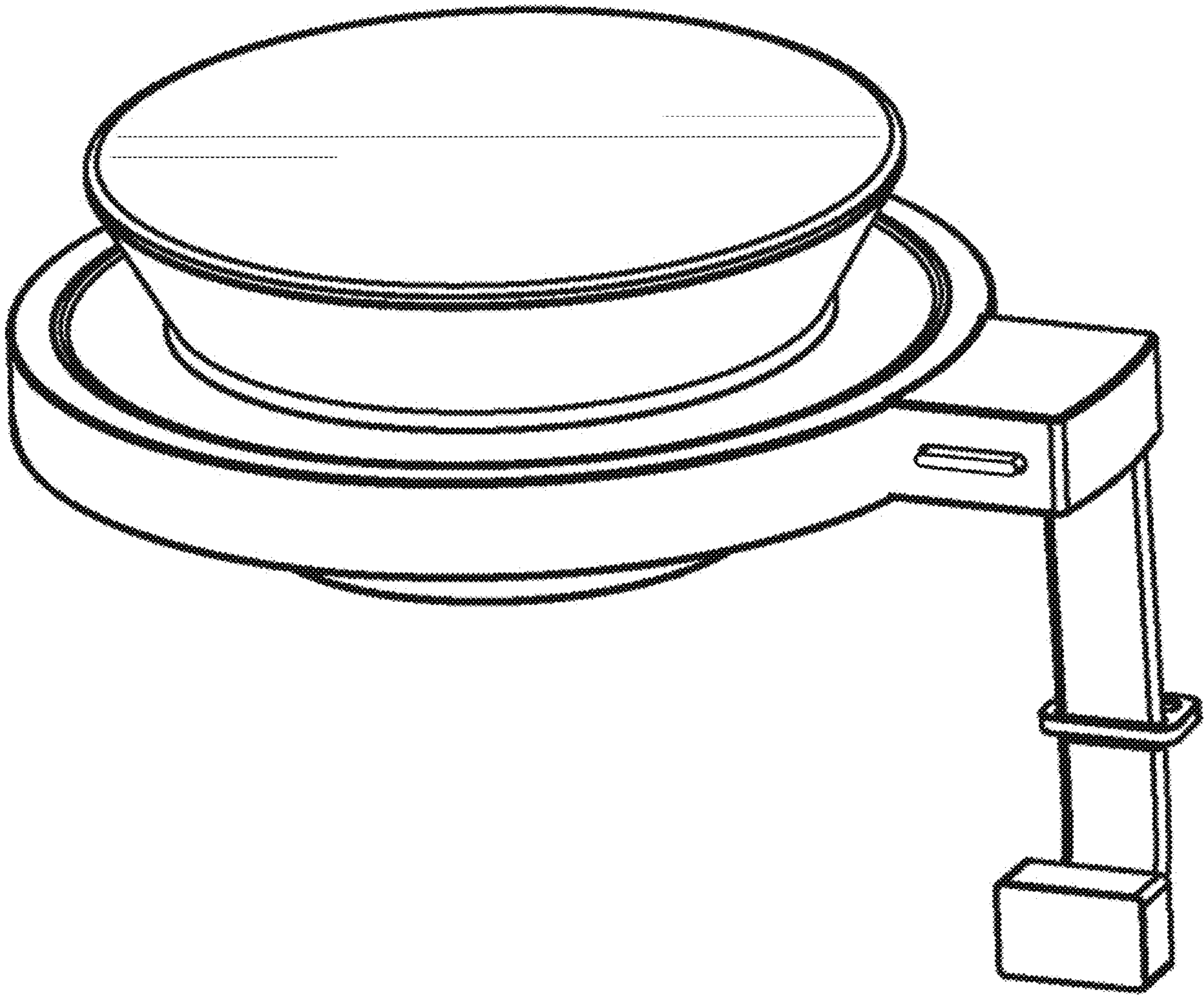
1.5



1.6



1.7



1.8

