

US00D961328S

(12) **United States Design Patent** (10) **Patent No.:** **US D961,328 S**  
**Rahmil** (45) **Date of Patent:** **\*\* Aug. 23, 2022**

(54) **BREWING DEVICE**  
(71) Applicant: **PURE OVER LLC**, Portland, OR (US)  
(72) Inventor: **Etai Rahmil**, Portland, OR (US)  
(73) Assignee: **PURE OVER, LLC**, Portland, OR (US)

10,694,883 B2 6/2020 Harper  
10,729,277 B2 8/2020 Jacobs  
D902,662 S \* 11/2020 Coleman ..... D7/589  
D915,134 S \* 4/2021 You ..... D7/400  
D927,927 S \* 8/2021 Grassy ..... D7/400  
D928,559 S \* 8/2021 Grassy ..... D7/400  
2015/0201771 A1 \* 7/2015 Elsaden ..... A47G 19/127  
222/484

(\*\*) Term: **15 Years**  
(21) Appl. No.: **29/755,348**  
(22) Filed: **Oct. 20, 2020**  
(51) **LOC (13) Cl.** ..... **07-06**  
(52) **U.S. Cl.**  
USPC ..... **D7/400**  
(58) **Field of Classification Search**  
USPC ..... D7/300, 305, 309, 310, 312, 318, 396.1,  
D7/396.2, 397, 399, 400, 401, 507, 523,  
D7/533; D9/434, 435, 447  
CPC ..... A47J 31/005; A47J 31/06; A47J 31/0615;  
A47J 31/0626; A47G 19/22  
See application file for complete search history.

**OTHER PUBLICATIONS**

Pure Over (Applicant)—Aug. 2020—Kickstarter Campaign—<https://www.kickstarter.com/projects/pureover/pure-over-welcome-to-an-all-glass-coffee-making-experience/description>.

\* cited by examiner

*Primary Examiner* — Andrew Kerr  
(74) *Attorney, Agent, or Firm* — Buchalter; Cecily Anne O'Regan

(57) **CLAIM**

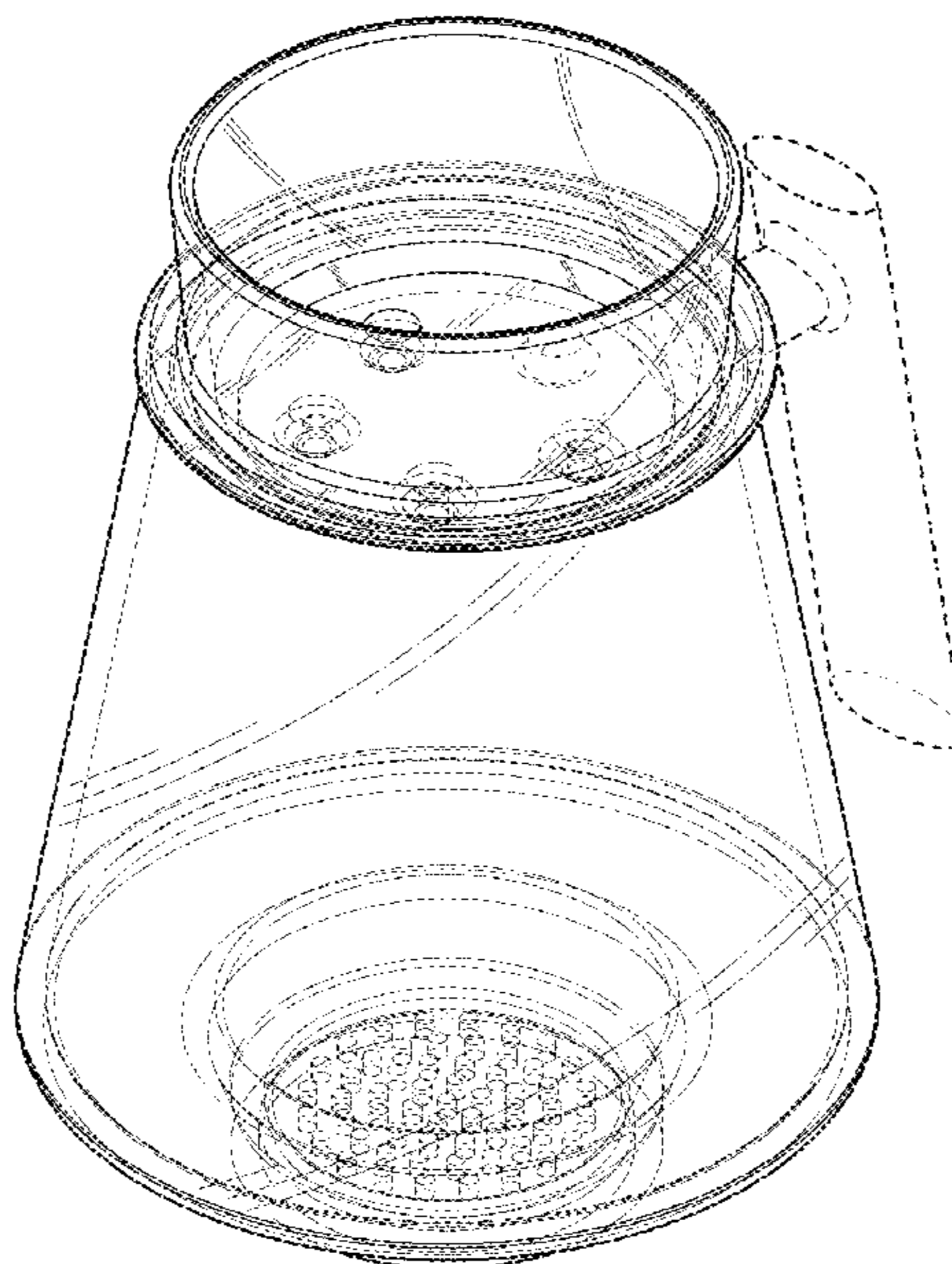
The ornamental design for a brewing device, as shown and described.

**DESCRIPTION**

FIG. 1 is a top perspective view of a brewing device, showing my new design;  
FIG. 2 is a bottom perspective view of the brewing device;  
FIG. 3 is a bottom perspective view the brewing device, shown in a condition of use;  
FIG. 4 is a back view of the brewing device;  
FIG. 5 is a left side view of the brewing device;  
FIG. 6 is a right side view of the brewing device;  
FIG. 7 is a top view of the brewing device; and,  
FIG. 8 is a bottom view of the brewing device.  
The broken lines in the drawings depict portions of the brewing device that form no part of the claimed design.

(56) **References Cited**  
**U.S. PATENT DOCUMENTS**  
3,114,484 A \* 12/1963 Serio ..... A47J 45/077  
222/475.1  
D245,058 S \* 7/1977 Hauenstein ..... D7/318  
D552,992 S \* 10/2007 Spencer ..... D9/454  
D722,675 S \* 2/2015 Del Ponte ..... D23/209  
D753,948 S \* 4/2016 Kestenbaum ..... D7/317  
D832,055 S \* 10/2018 Rose ..... D7/598  
D844,102 S \* 3/2019 DeAngelo ..... D23/209  
D846,345 S \* 4/2019 Kestenbaum ..... D7/397  
D854,869 S \* 7/2019 Pisarevsky ..... D7/400  
D864,645 S \* 10/2019 Perez ..... D7/400  
10,470,602 B2 11/2019 Geissler  
10,524,608 B2 1/2020 Nichols  
10,674,858 B2 6/2020 Miller

**1 Claim, 8 Drawing Sheets**



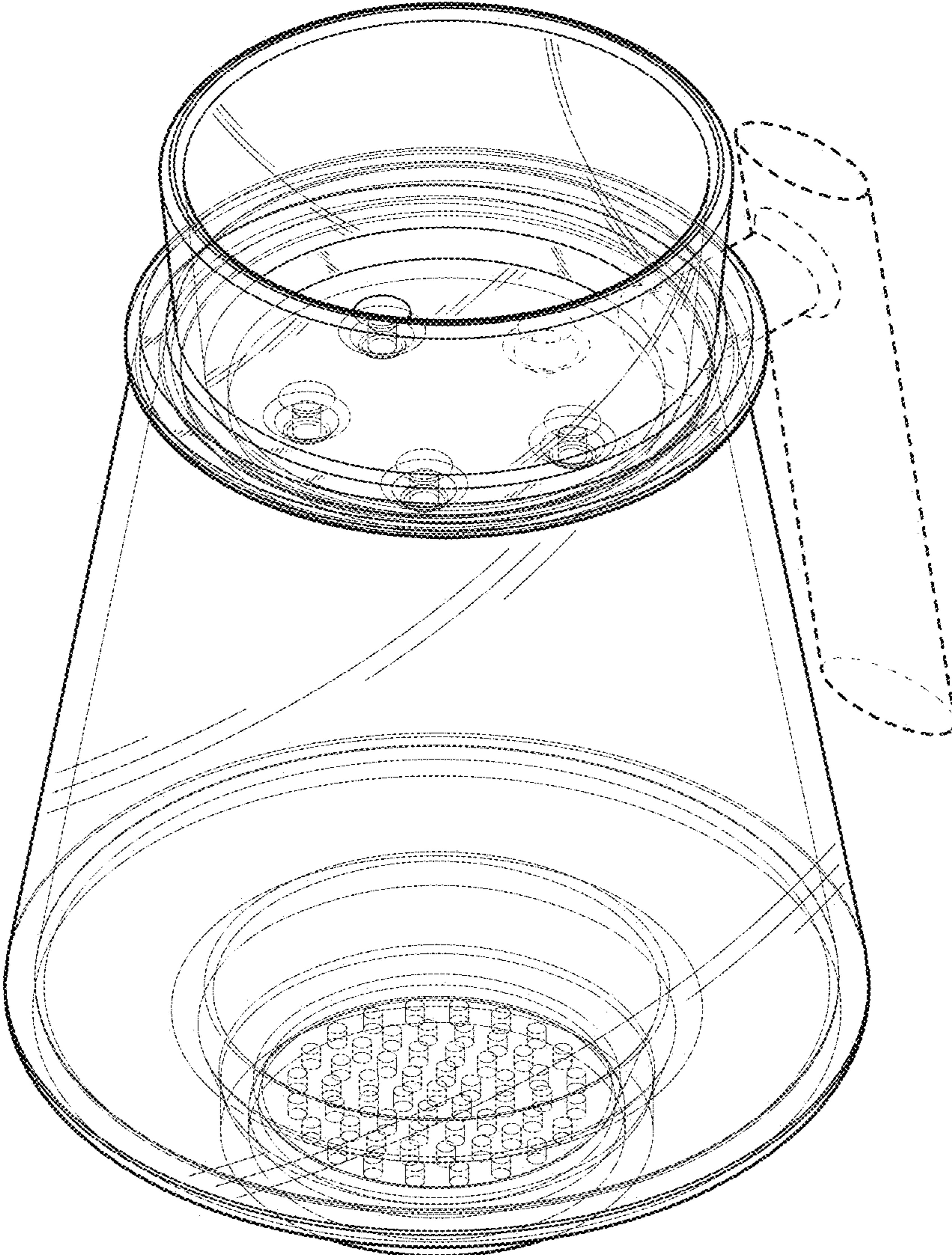


FIG. 1

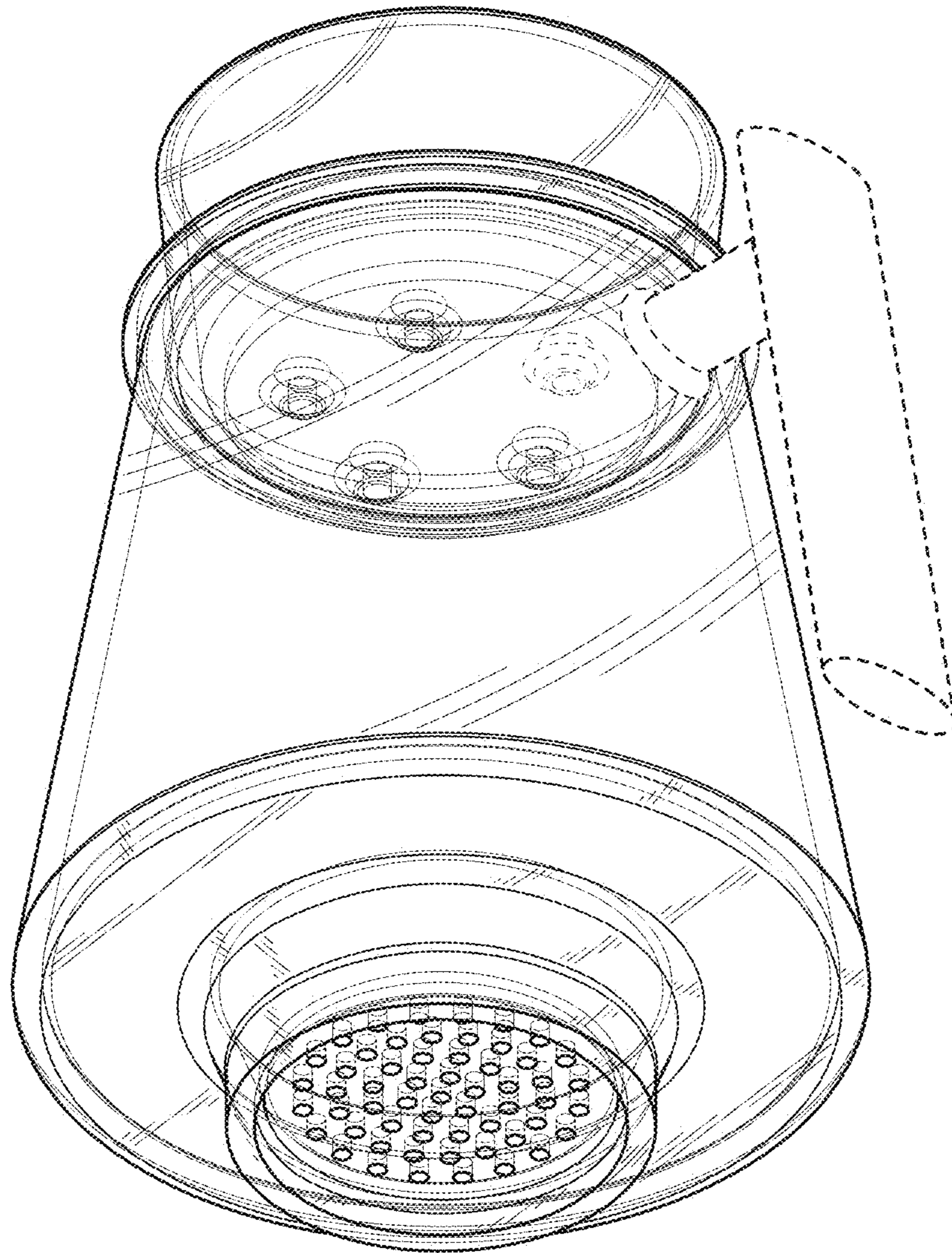


FIG. 2

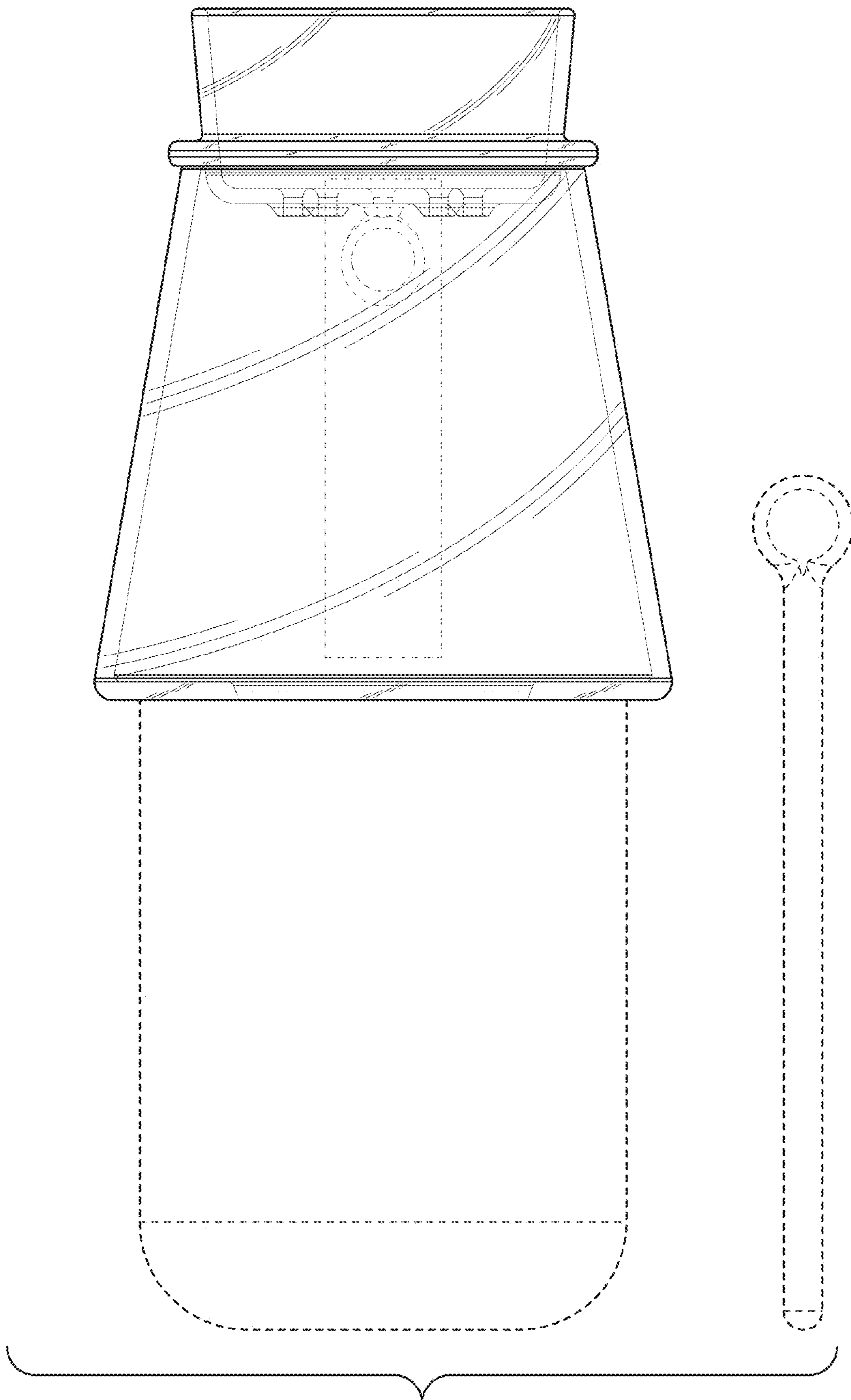


FIG. 3

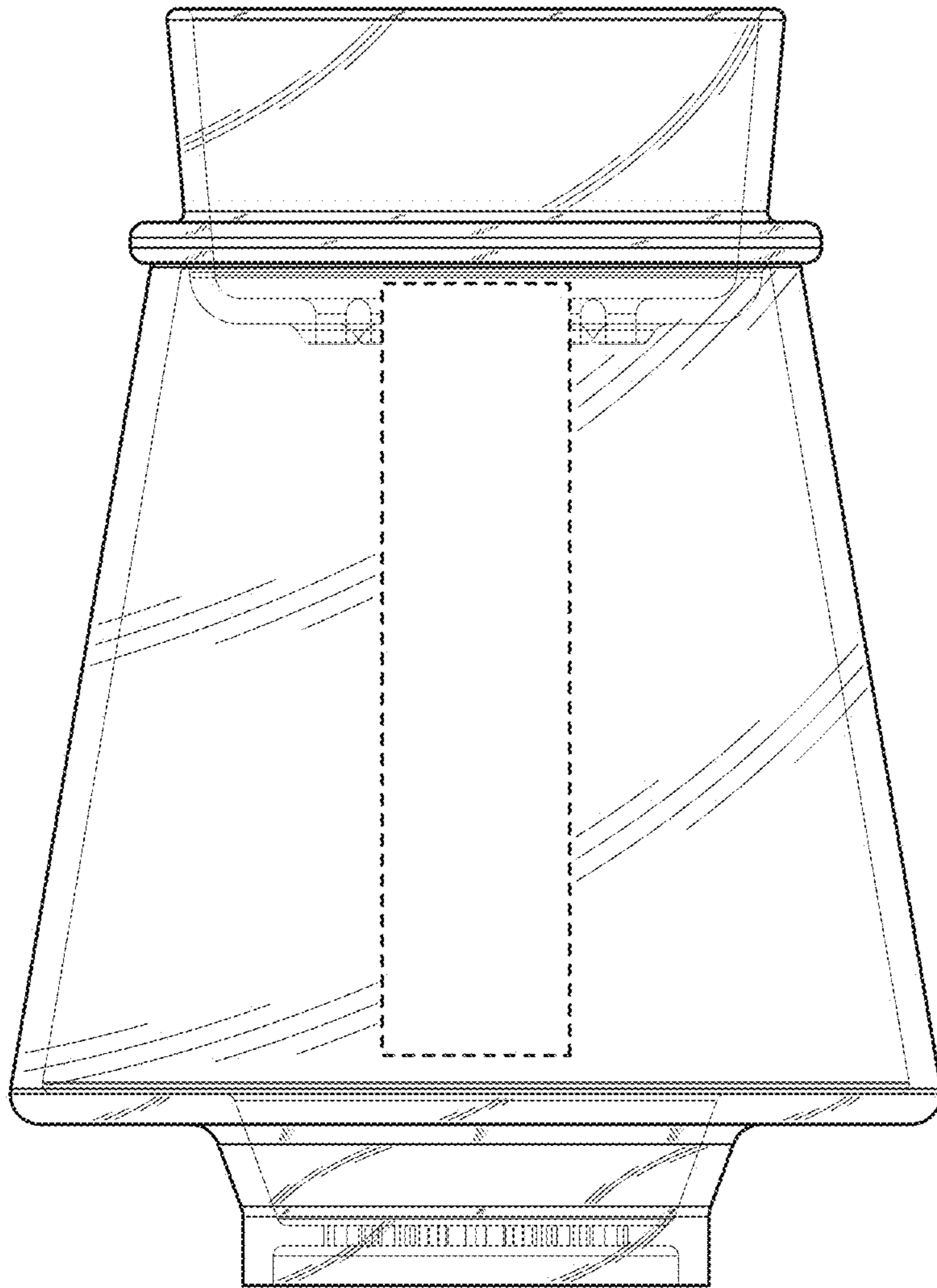


FIG. 4

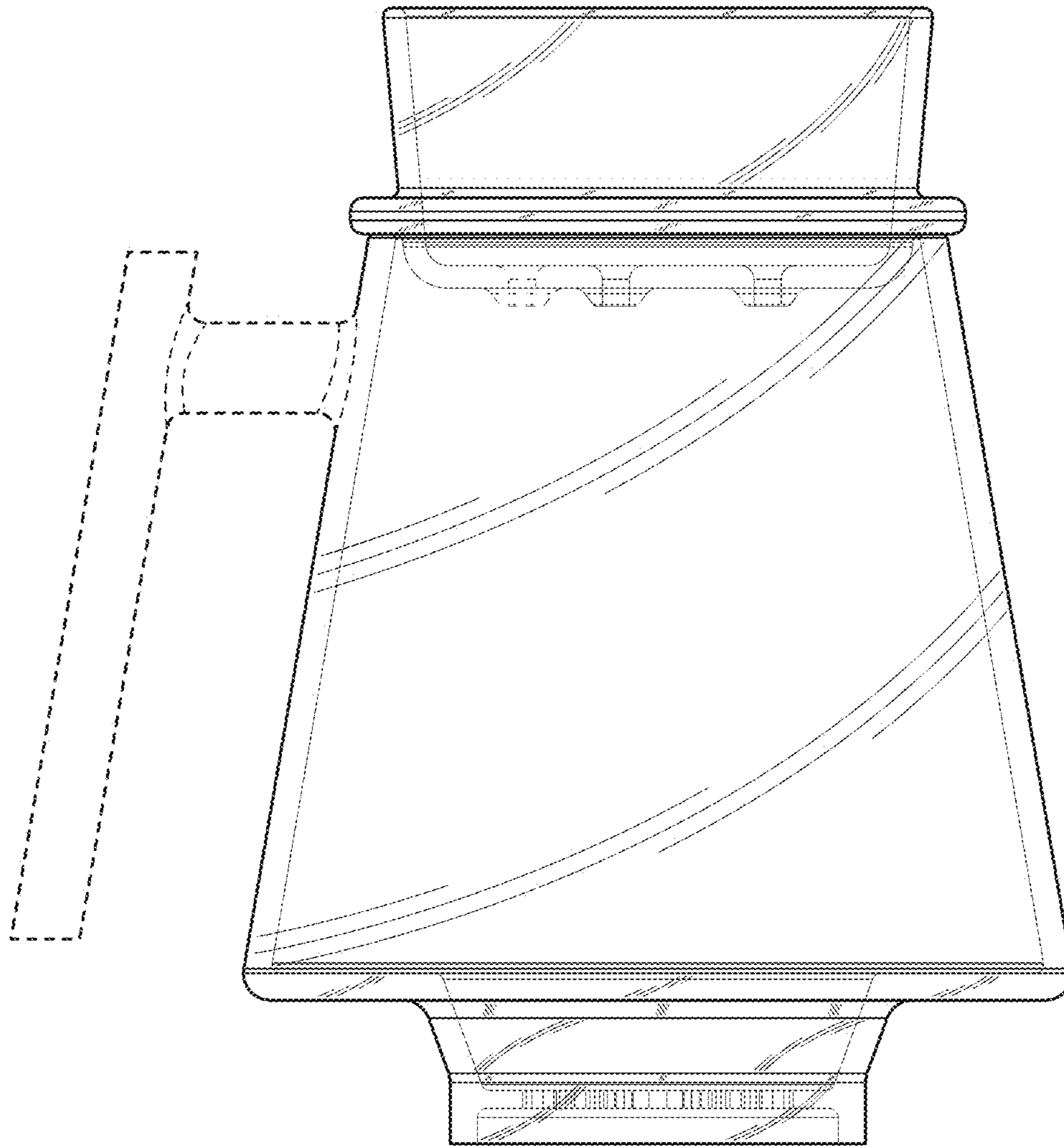


FIG. 5

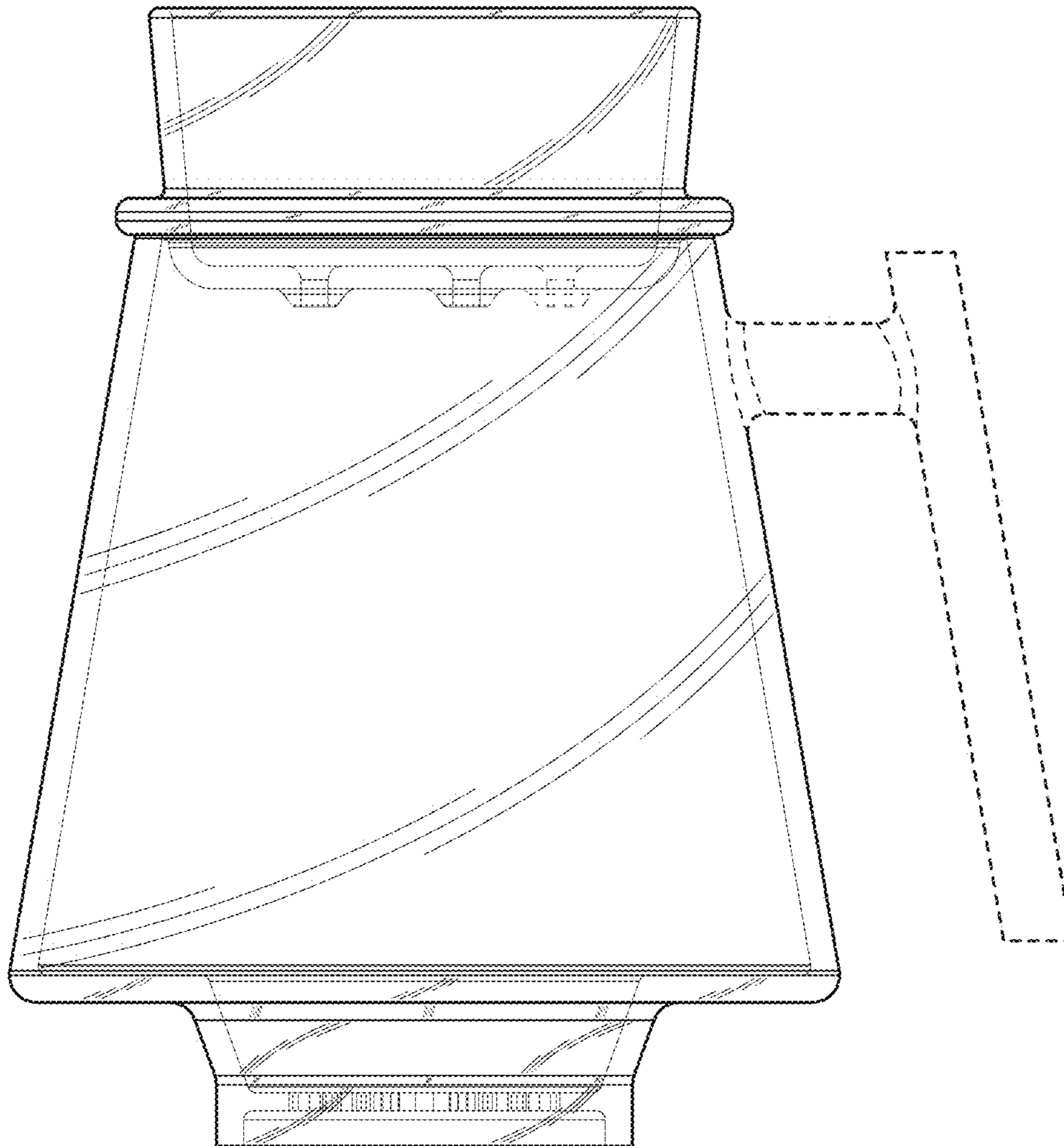


FIG. 6

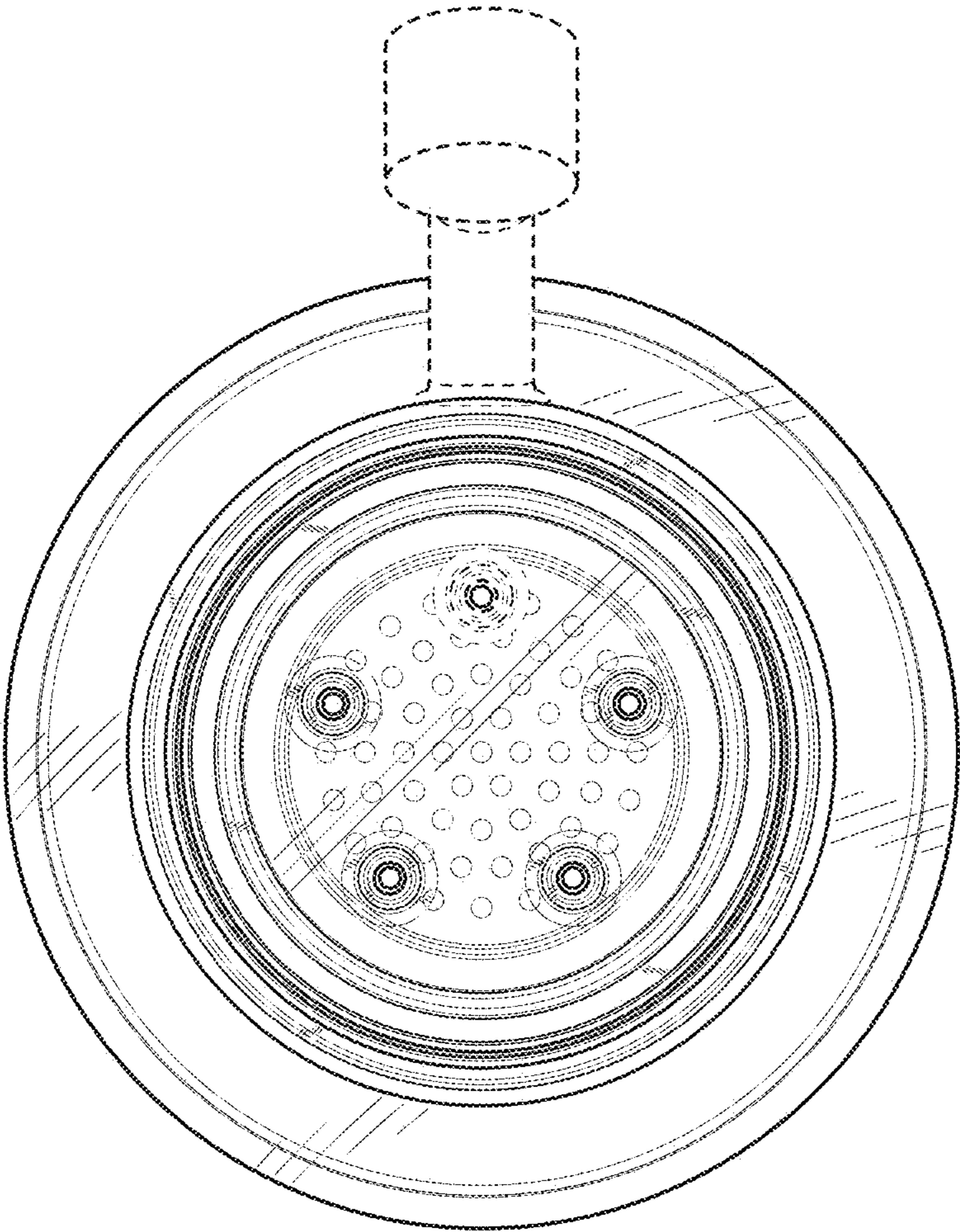


FIG. 7



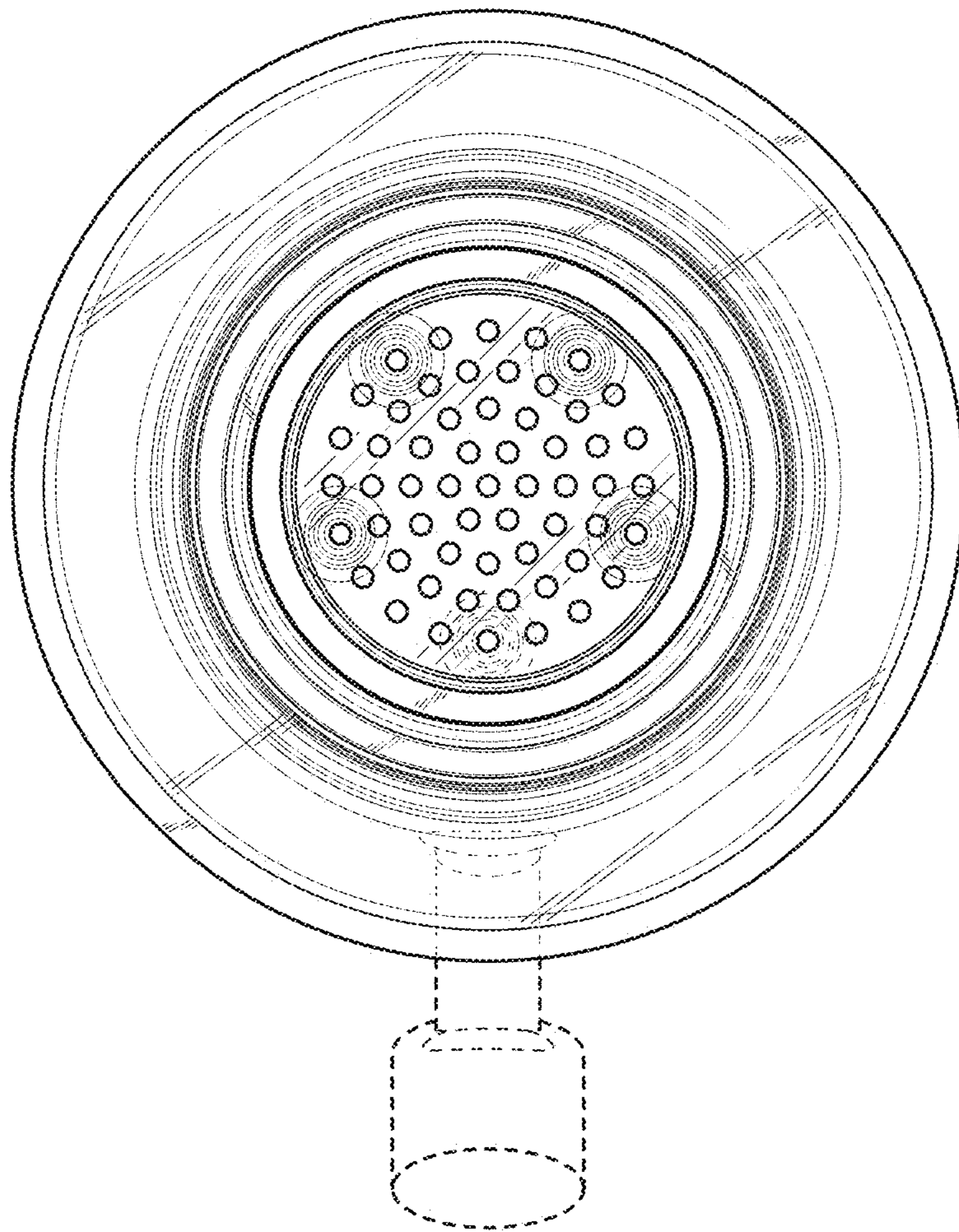


FIG. 8