



US00D961327S

(12) **United States Design Patent**
Benkmann

(10) **Patent No.:** **US D961,327 S**

(45) **Date of Patent:** **** Aug. 23, 2022**

(54) **OPERATING LEVER FOR DISPENSING TAP**

(71) Applicant: **SABEU GmbH & Co. KG**, Northeim (DE)

(72) Inventor: **Dennis Benkmann**, Kaltenkirchen (DE)

(**) Term: **15 Years**

(21) Appl. No.: **35/510,570**

(22) Filed: **Sep. 9, 2020**

(80) **Hague Agreement Data**

Int. Filing Date: **Sep. 9, 2020**

Int. Reg. No.: **DM/210627**

Int. Reg. Date: **Sep. 9, 2020**

Int. Reg. Pub. Date: **Oct. 16, 2020**

(51) **LOC (13) Cl.** **07-99**

(52) **U.S. Cl.**
USPC **D7/393**

(58) **Field of Classification Search**

USPC D8/308; D7/393, 395

CPC G05G 1/04

See application file for complete search history.

(56) **References Cited**

U.S. PATENT DOCUMENTS

D219,861 S *	2/1971	Coffman	D8/308
D222,875 S *	1/1972	Gerlach	D8/308
D268,984 S *	5/1983	Bergen	D8/308
D289,369 S *	4/1987	Foshee	D8/308
D318,607 S *	7/1991	Reid	D8/363
D343,564 S *	1/1994	Donofrio	D8/308

D369,086 S *	4/1996	Bergen	D8/308
D547,830 S *	7/2007	Veltz	D23/252
D627,860 S *	11/2010	Sedwick	D23/252
D665,624 S *	8/2012	Ben-David	D7/398
D845,741 S *	4/2019	Hammor	D8/308

FOREIGN PATENT DOCUMENTS

GB 8210627000-1000 * 9/2020

* cited by examiner

Primary Examiner — S. Bryan Reinholdt, Jr.

(57) **CLAIM**

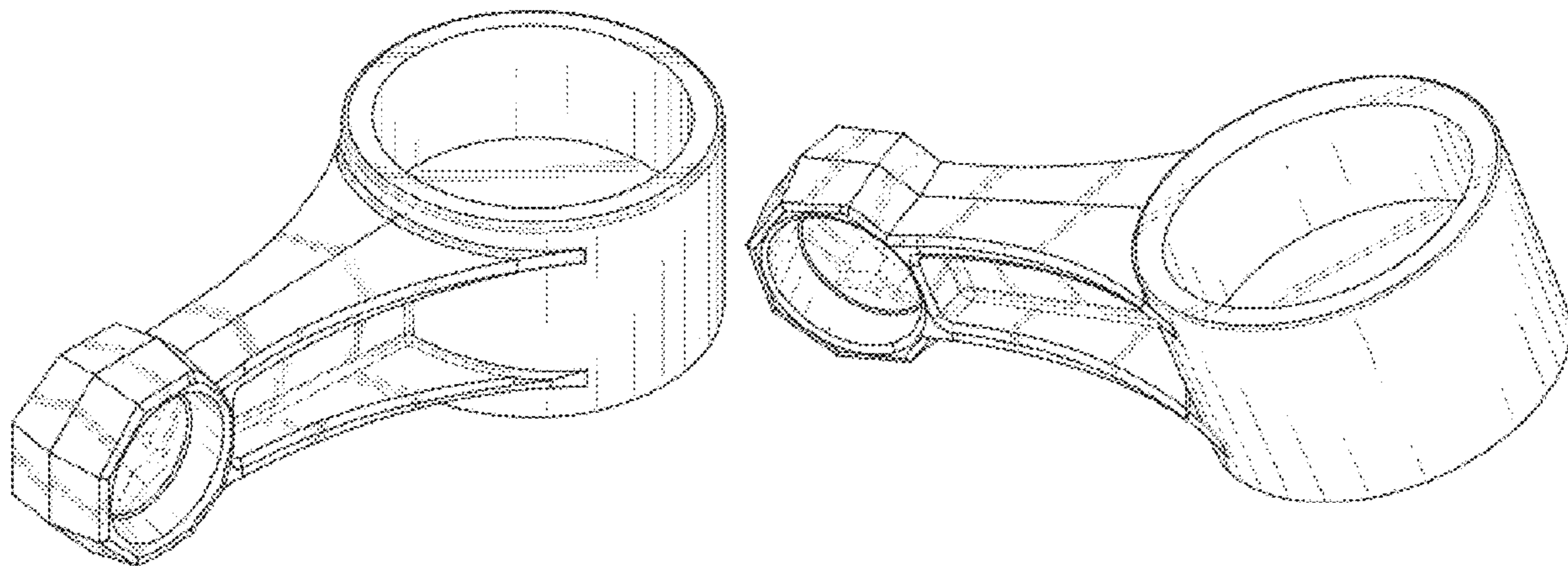
The ornamental design for an operating lever for dispensing tap, as shown and described.

DESCRIPTION

FIG. 1.1 is a perspective view of an operating lever for dispensing tap showing my new design;
 FIG. 1.2 is a left side view thereof;
 FIG. 1.3 is a right side view thereof;
 FIG. 1.4 is a top perspective view thereof;
 FIG. 1.5 is a perspective view thereof;
 FIG. 1.6 is a perspective view thereof;
 FIG. 1.7 is a back view thereof;
 FIG. 1.8 is a bottom side perspective view thereof;
 FIG. 1.9 is a top view thereof;
 FIG. 1.10 is a front view thereof;
 FIG. 1.11 is a bottom view thereof; and
 FIG. 1.12 is a perspective view thereof.

The broken lines and the areas within them depict portions of the operating lever for dispensing tap that form no part of the claimed design.

1 Claim, 7 Drawing Sheets



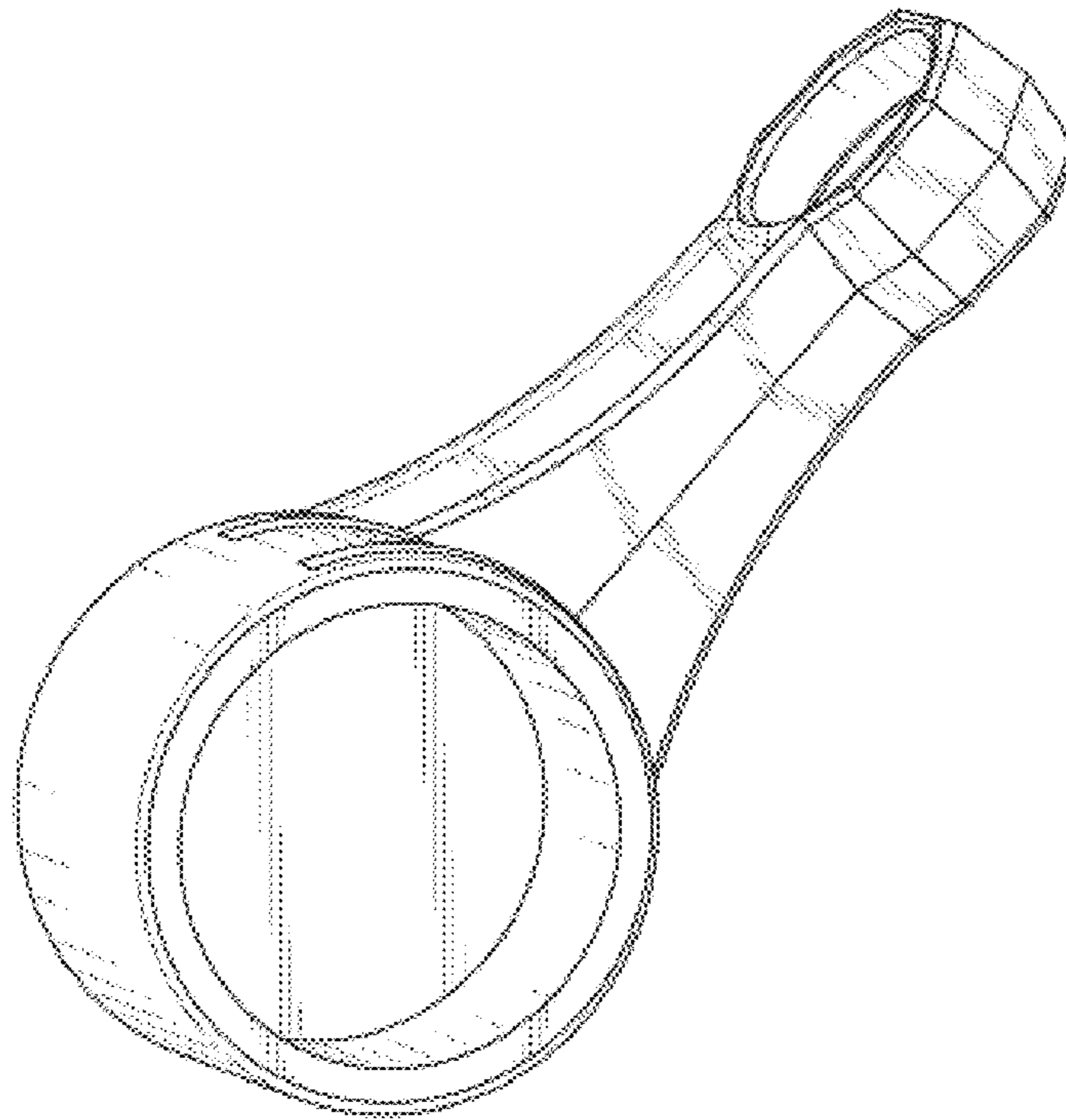


Fig. 1.1

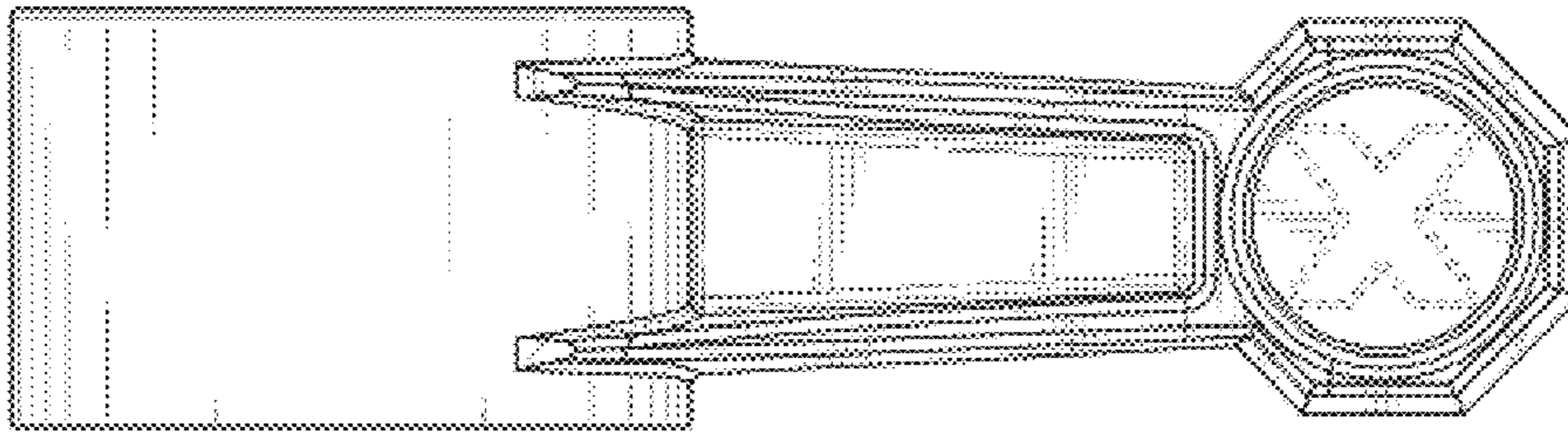


Fig. 1.2

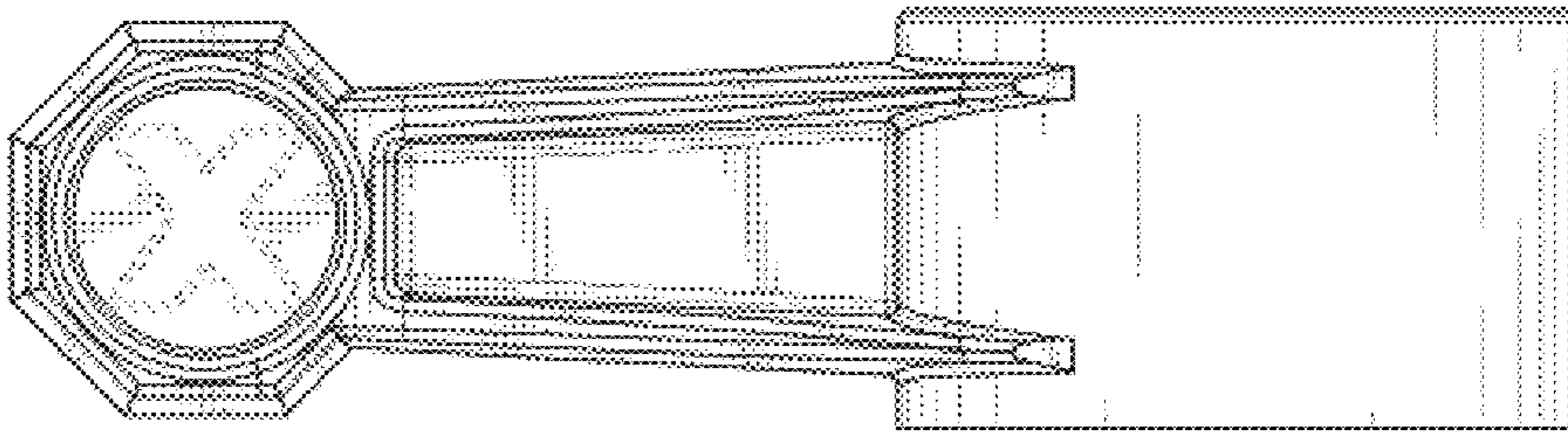


Fig. 1.3

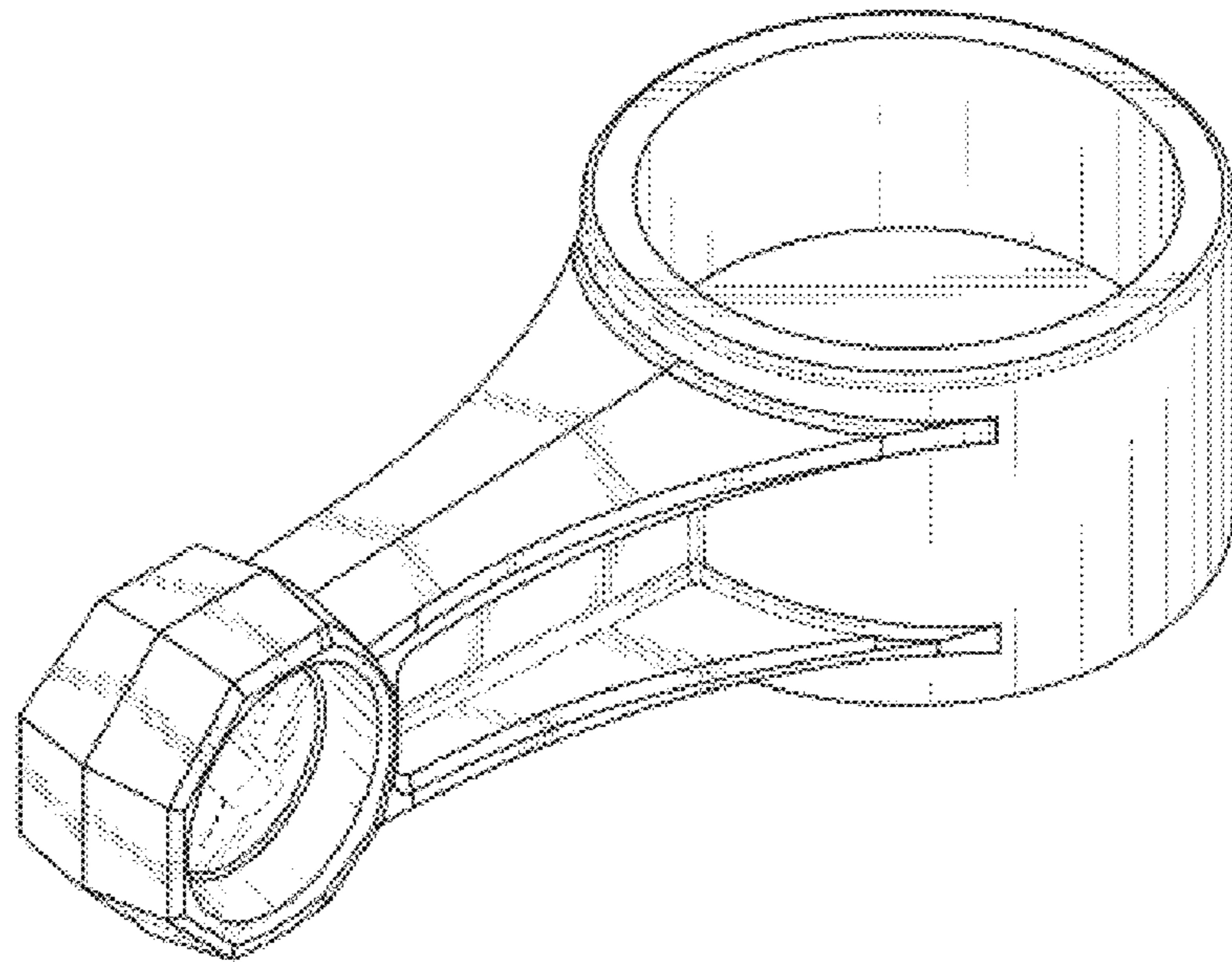


Fig. 1.4

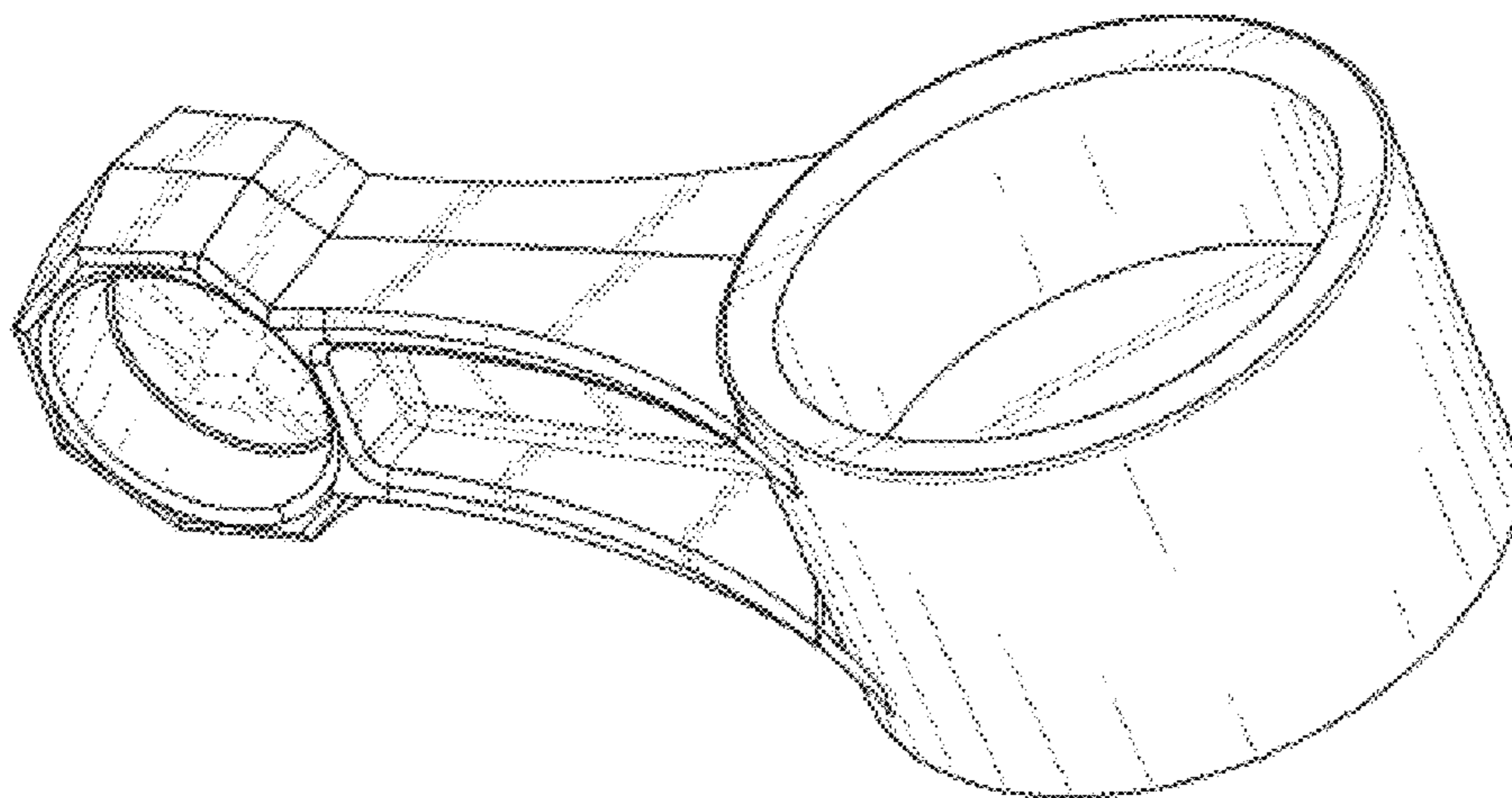


Fig. 1.5

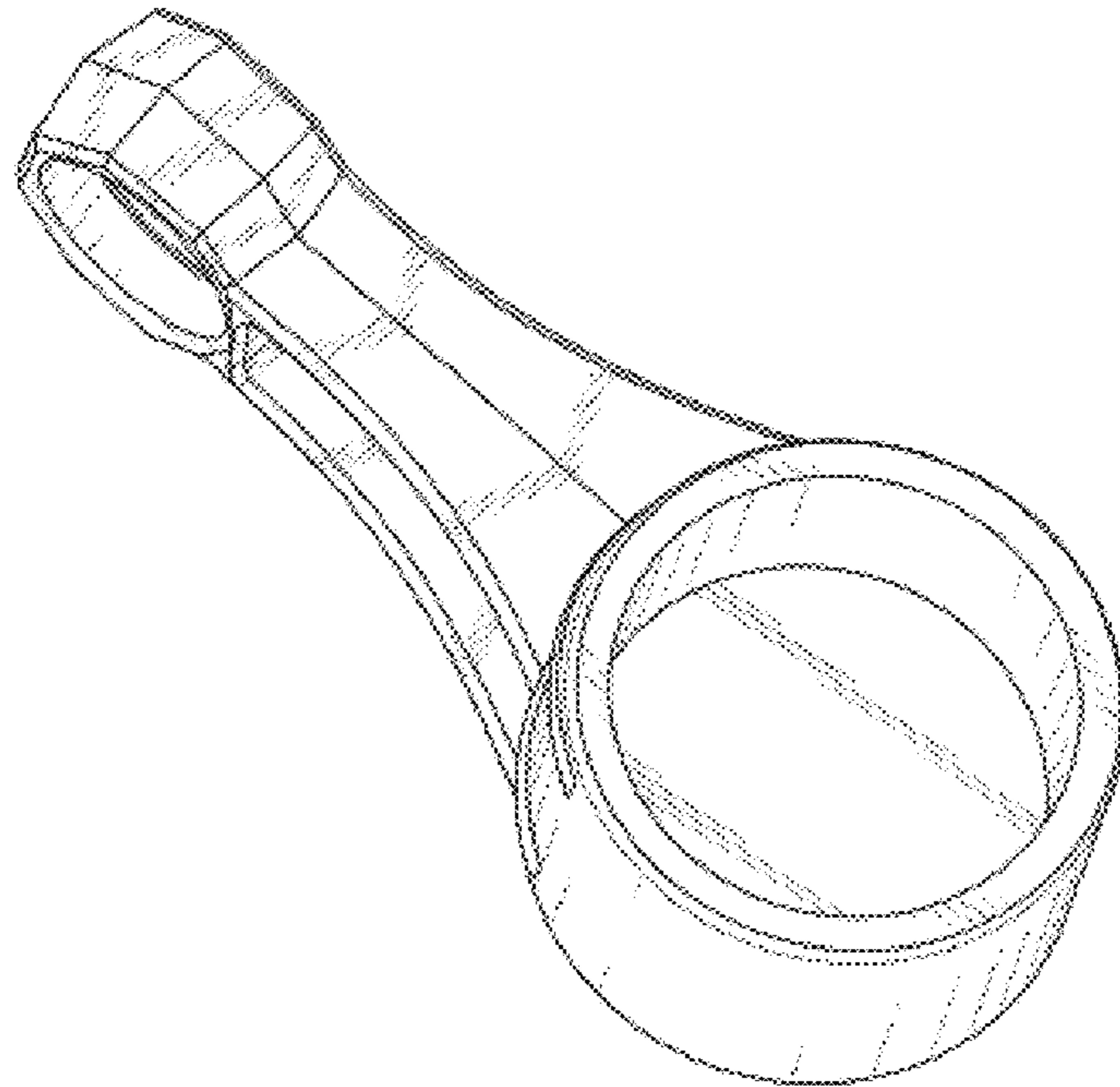


Fig. 1.6



Fig. 1.7

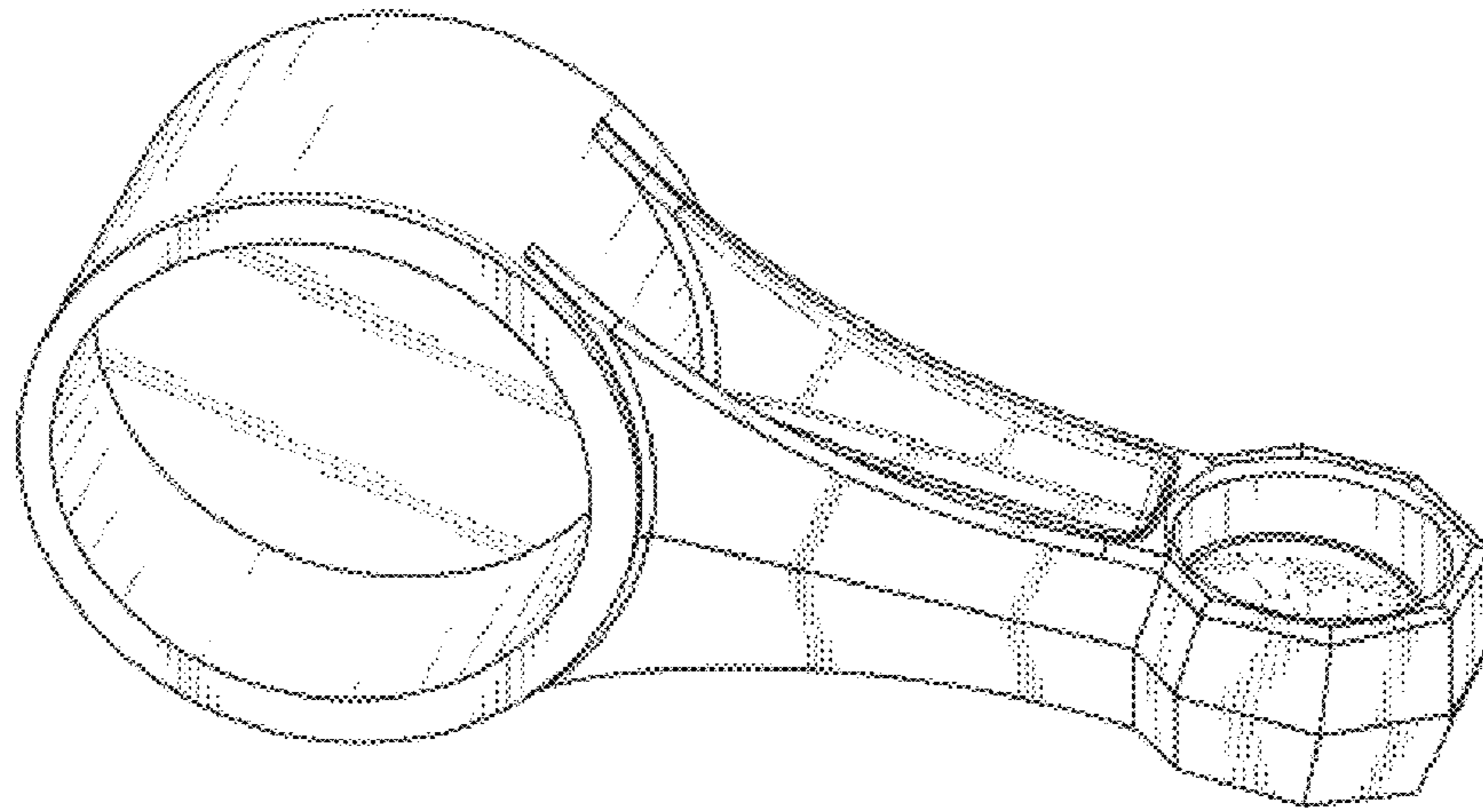


Fig. 1.8

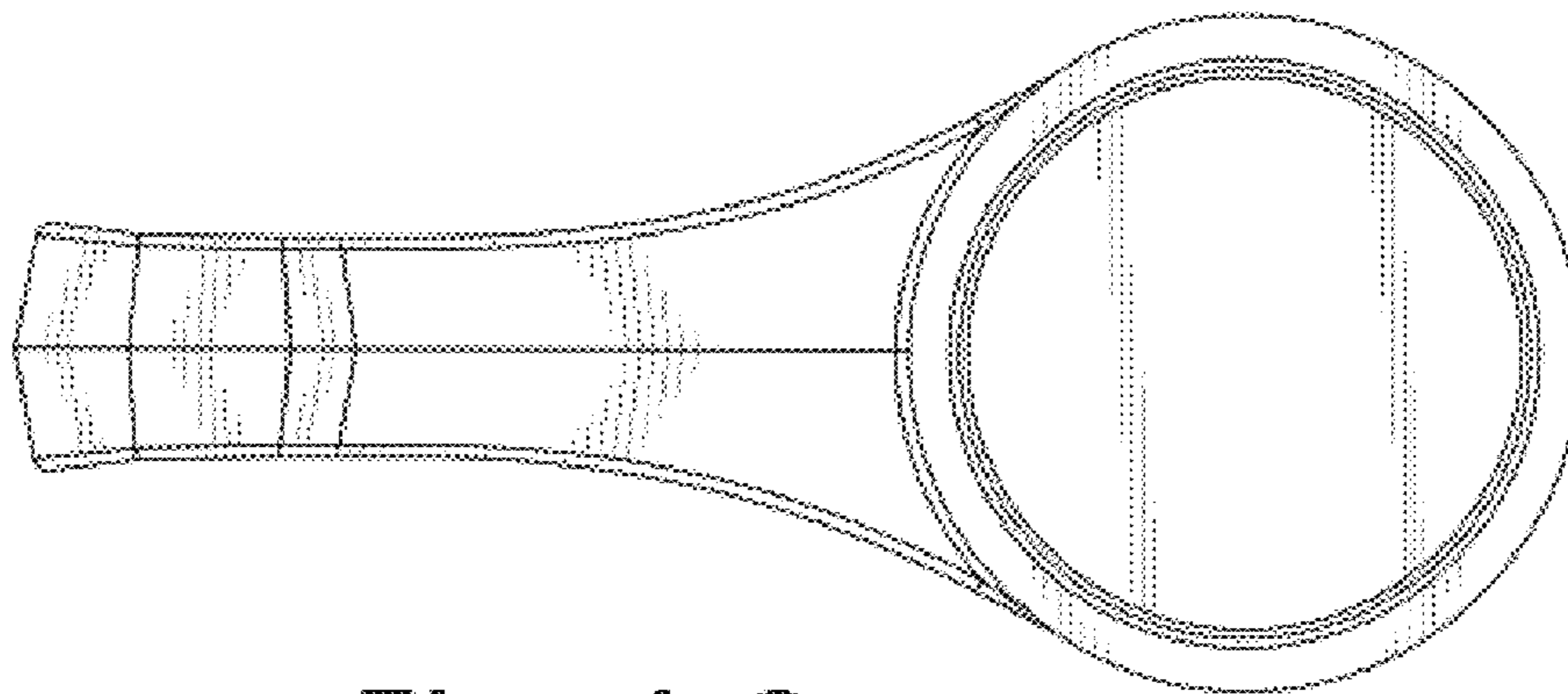


Fig. 1.9

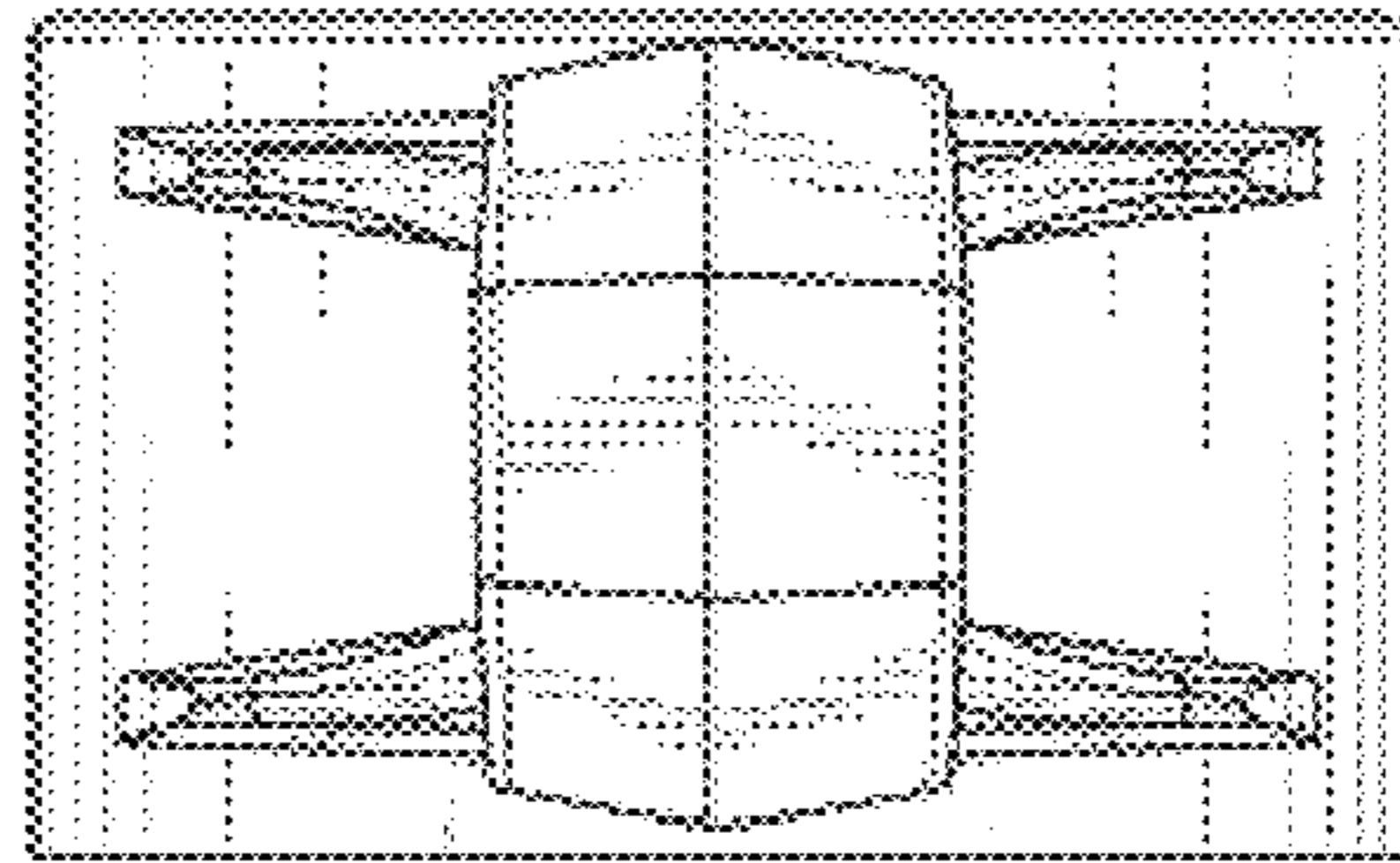


Fig. 1.10

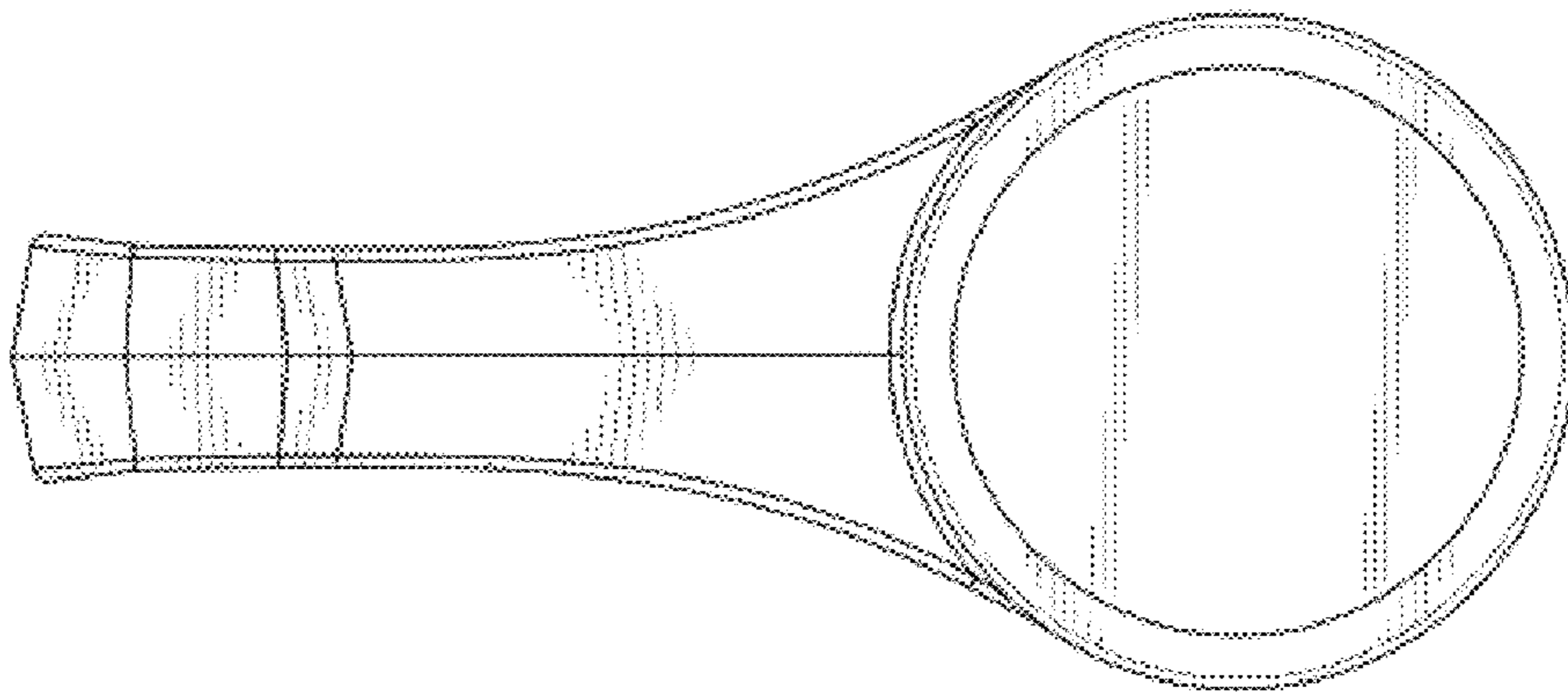


Fig. 1.11

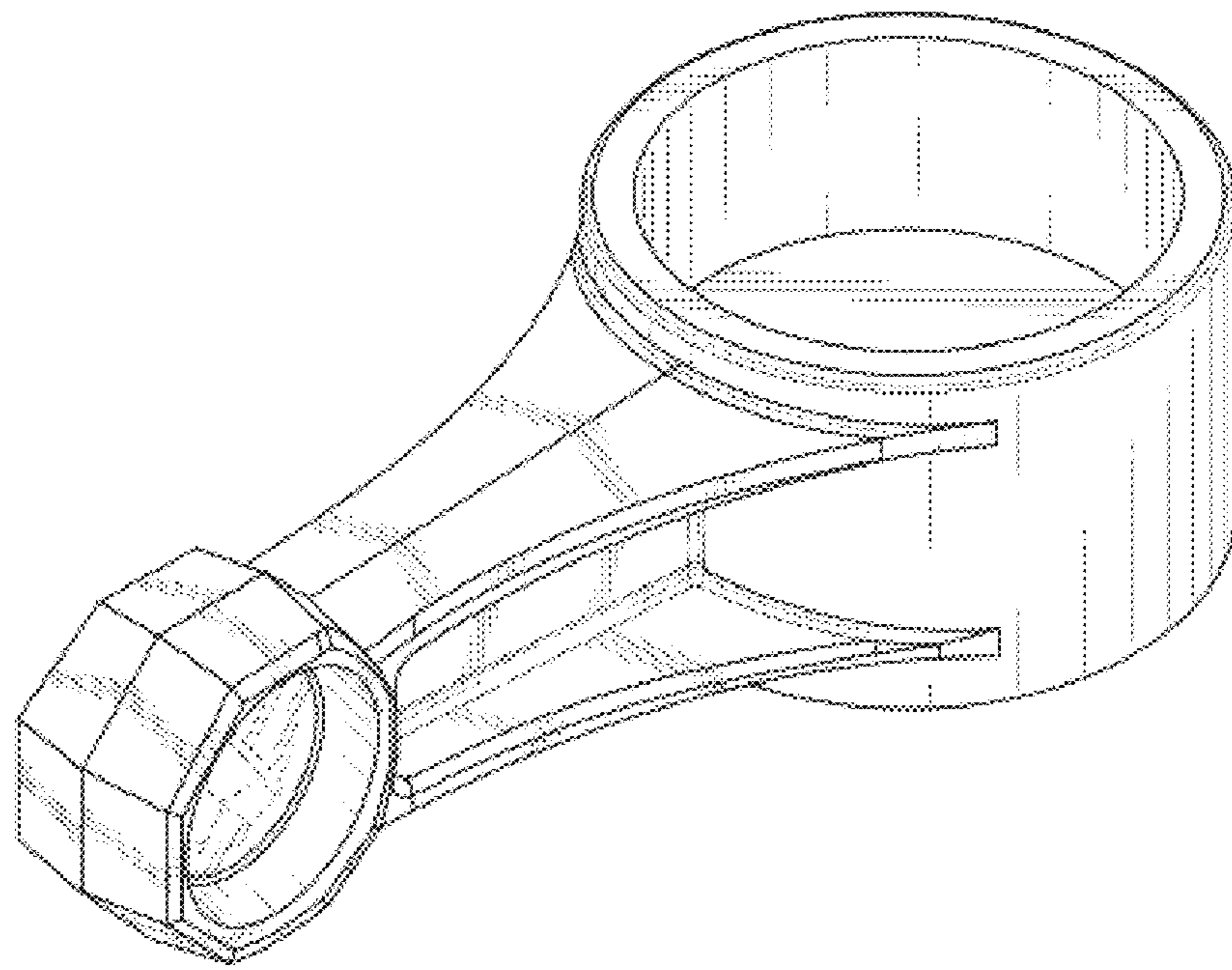


Fig. 1.12