



US00D961326S

(12) **United States Design Patent**
Bolen

(10) **Patent No.:** **US D961,326 S**

(45) **Date of Patent:** **** Aug. 23, 2022**

(54) **CAN LID**

(71) Applicant: **Dave C. Bolen**, Fayetteville, AR (US)

(72) Inventor: **Dave C. Bolen**, Fayetteville, AR (US)

(**) Term: **15 Years**

(21) Appl. No.: **29/727,663**

(22) Filed: **Mar. 12, 2020**

(51) **LOC (13) Cl.** **07-01**

(52) **U.S. Cl.**
USPC **D7/392.1**

(58) **Field of Classification Search**

USPC D7/323, 391, 392, 392.1, 393-397, 510,
D7/511, 542, 543, 602, 605, 629;
D9/435, 443, 447, 449, 454
CPC A01K 5/0114; A45F 5/02; A47G 19/12;
A47G 19/2205; A47G 23/0241; A47G
23/0266; A47J 27/00; A47J 27/002; A47J
27/08; A47J 27/21; A47J 27/58; A47J
36/025; A47J 36/06; A47J 36/12; A47J
37/00; A47J 37/10; A47J 37/101; A47J
37/103; A47J 37/12; A47J 37/1204; A47J
45/061; A47J 45/071; A47J 45/08; B65D
17/401; B65D 47/088; B65D 47/305;
B65D 47/2037

See application file for complete search history.

(56) **References Cited**

U.S. PATENT DOCUMENTS

2,896,812 A 7/1959 Paprocki 220/85
3,719,305 A 3/1973 Pressnell 220/85
4,127,211 A * 11/1978 Zerbey A47G 19/2205
248/346.11
4,494,672 A * 1/1985 Pearson B65D 47/088
220/258.2
4,735,333 A 4/1988 Lay et al. 220/90.2
4,823,975 A 4/1989 Schwankl 220/85

5,261,554 A 11/1993 Forbes 220/412
5,335,954 A * 8/1994 Holub A47G 23/0241
215/396
5,752,687 A * 5/1998 Lynch B62J 11/04
215/390
D401,809 S * 12/1998 Reed D7/510
5,944,238 A * 8/1999 Stark A45F 5/02
220/751

(Continued)

OTHER PUBLICATIONS

Smarter Seal Soda or Beverage Can Lid. Date First Available on Amazon.com Jan. 14, 2018. <https://www.amazon.com/6-Pack-Clear-Color-Beverage-Protector/dp/B07915SK5X/ref> (Year: 2018).*

Primary Examiner — Ricky Pham

(74) *Attorney, Agent, or Firm* — Keisling & Pieper PLC; David B. Pieper; Trent C. Keisling

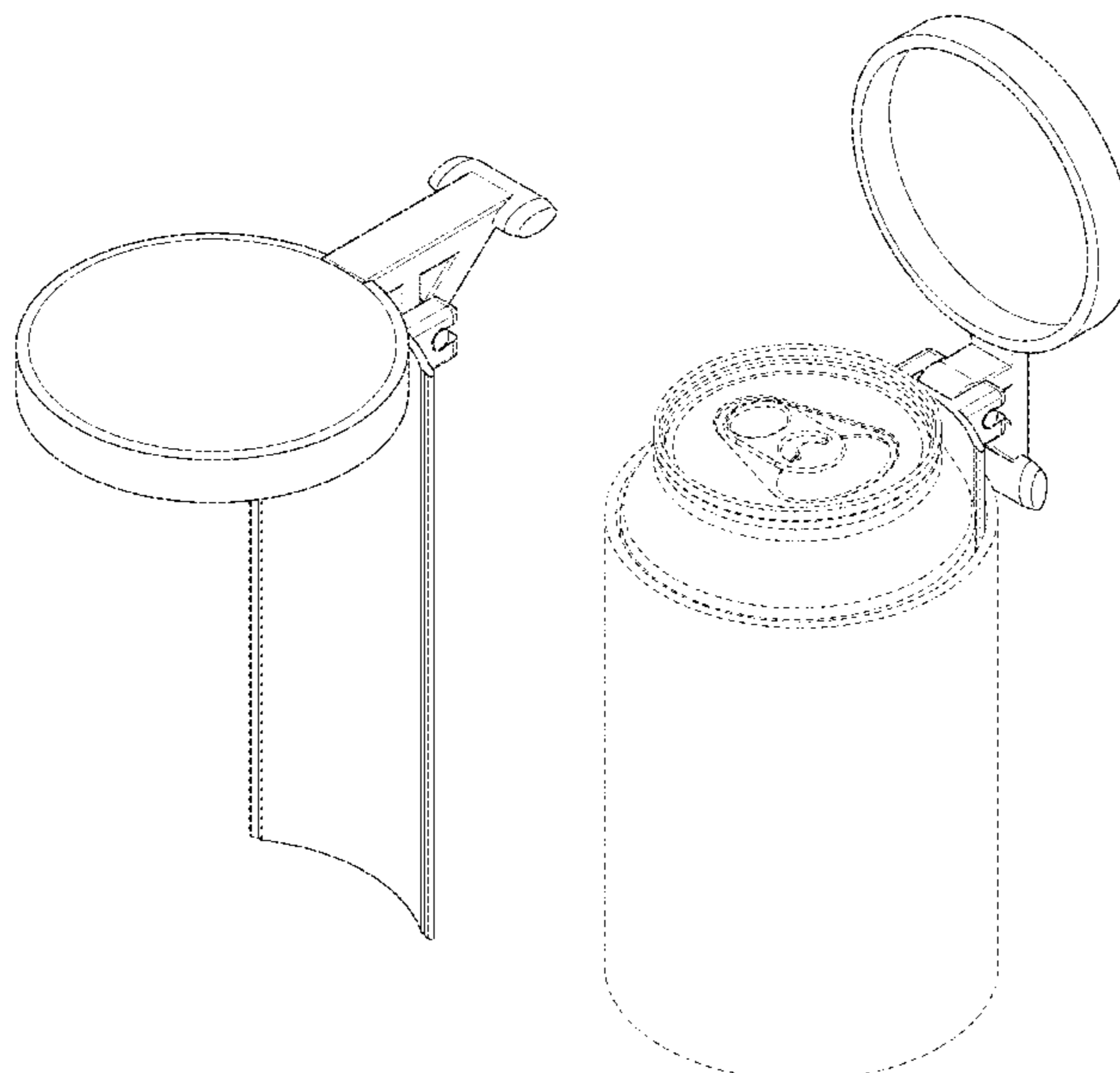
(57) **CLAIM**

The ornamental design for a can lid, as shown and described.

DESCRIPTION

FIG. 1 is a perspective view of a can lid showing my new design;
FIG. 2 is another perspective view thereof;
FIG. 3 is a right side view thereof, the left side view being a mirror image thereof;
FIG. 3 is a left side elevational view thereof;
FIG. 4 is a front view thereof;
FIG. 5 is a back view thereof;
FIG. 6 is a top view thereof;
FIG. 7 is a bottom thereof;
FIG. 8 is an environmental view thereof; and,
FIG. 9 is an environmental view thereof shown in an open position.
The broken lines are for the purpose of illustrating environmental structure and form no part of the claimed design.

1 Claim, 7 Drawing Sheets



(56)

References Cited

U.S. PATENT DOCUMENTS

6,186,352	B1 *	2/2001	Hwang	A01K 5/0114
					220/759
6,244,461	B1	6/2001	Roberts et al.	220/740
10,441,102	B1	10/2019	Bunting	220/740
10,849,447	B2 *	12/2020	Gemmill	A47G 23/0266
2004/0187439	A1 *	9/2004	St. John	B65D 17/401
					53/410

* cited by examiner

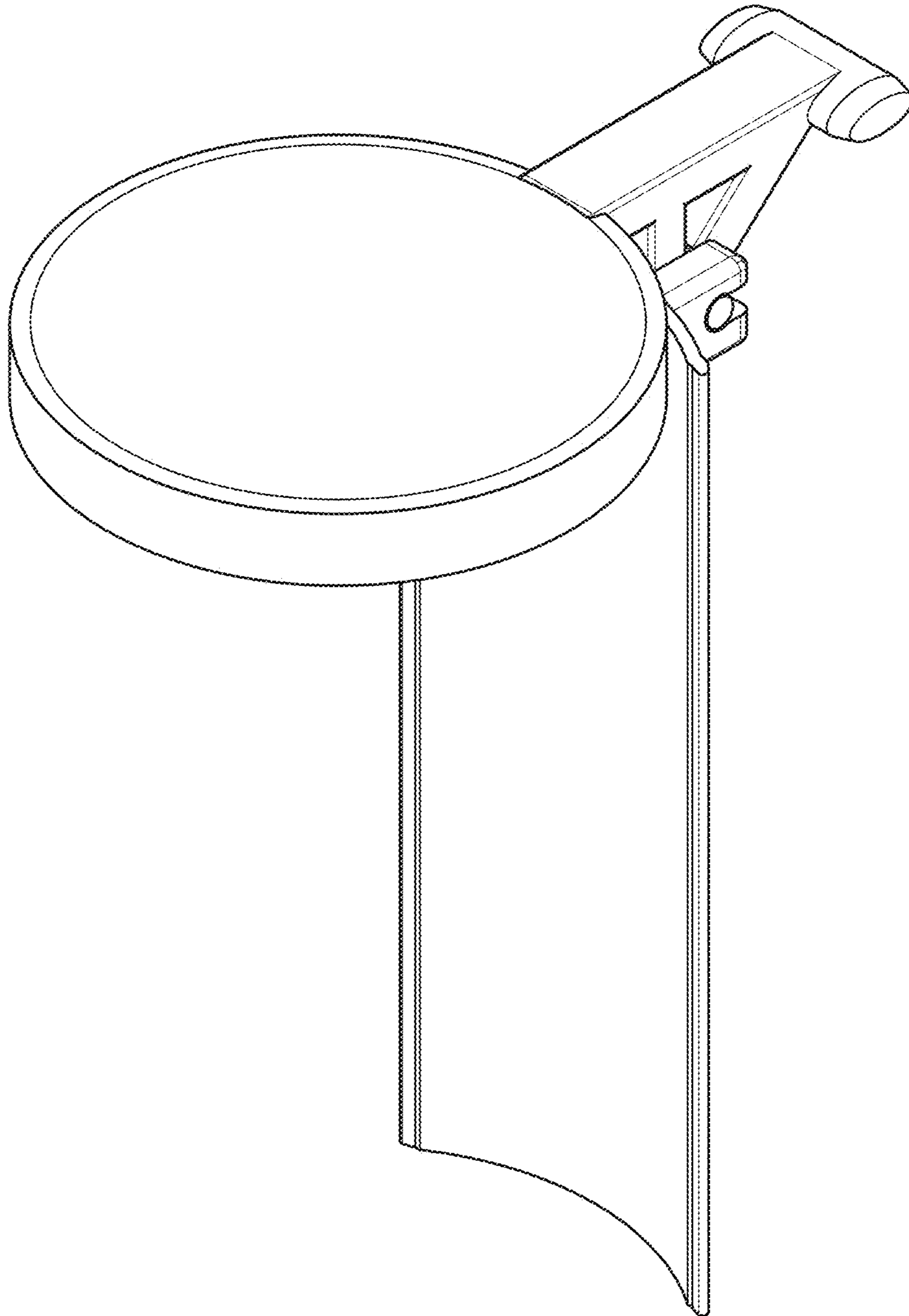


FIG. 1

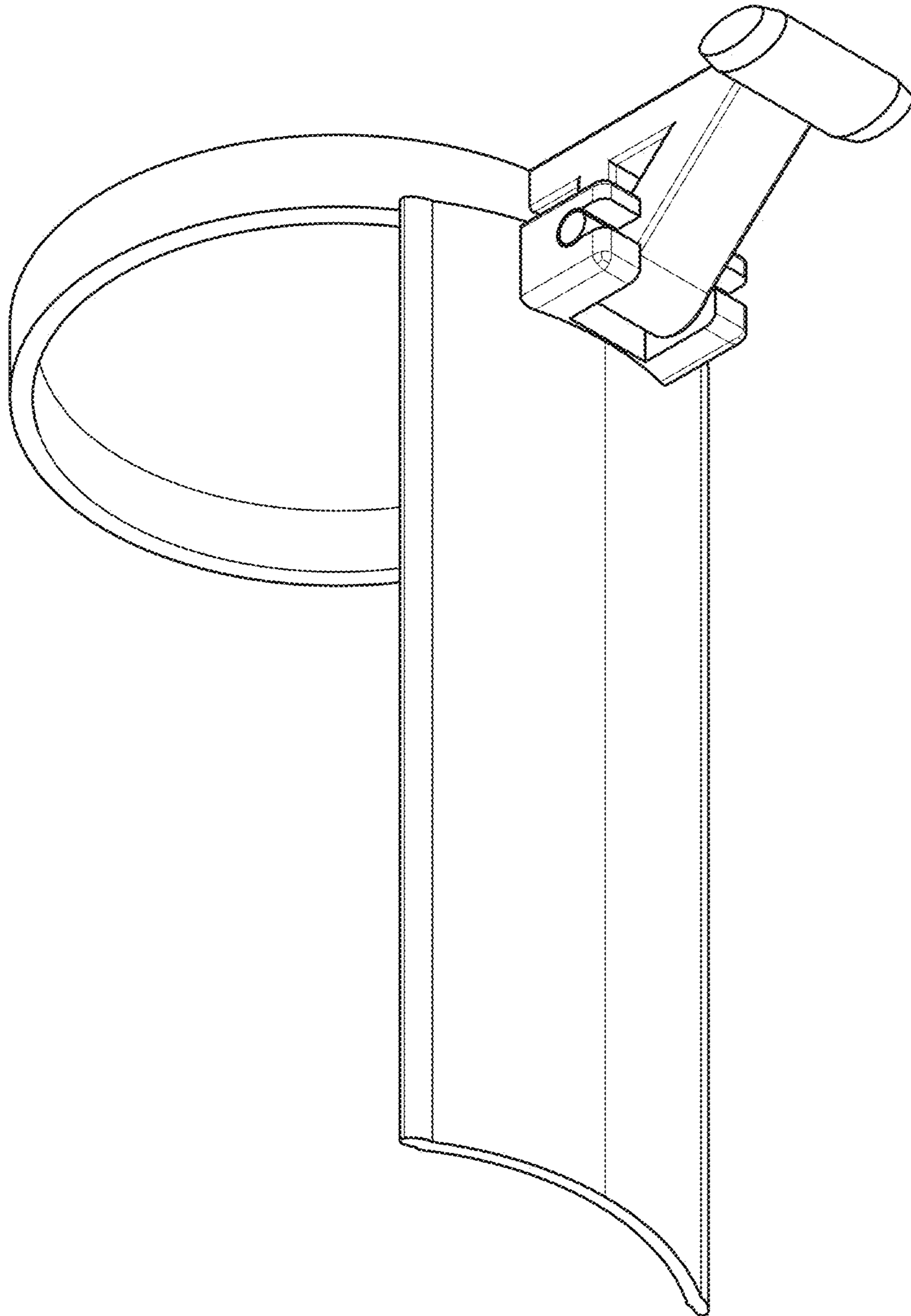


FIG. 2

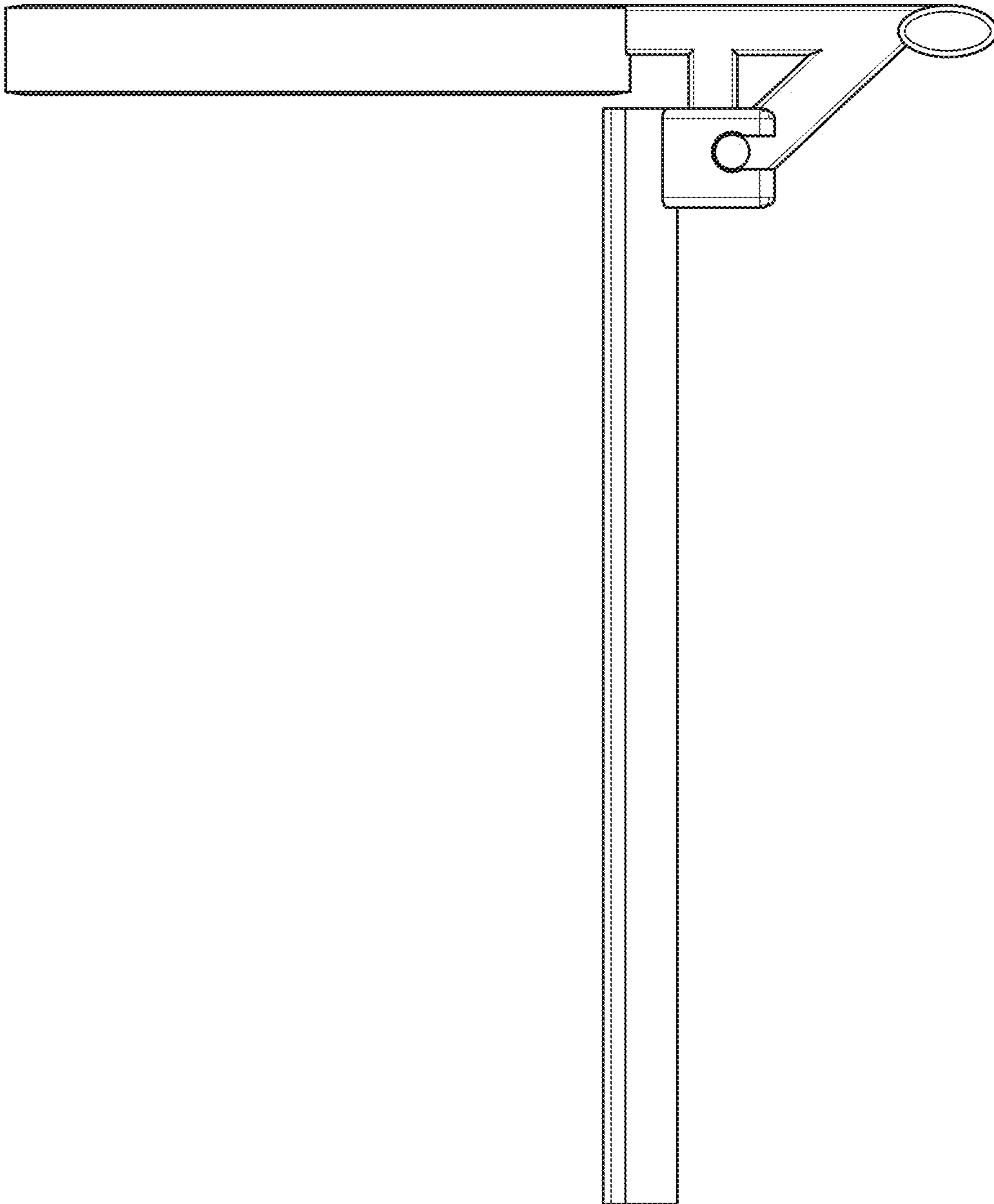


FIG. 3

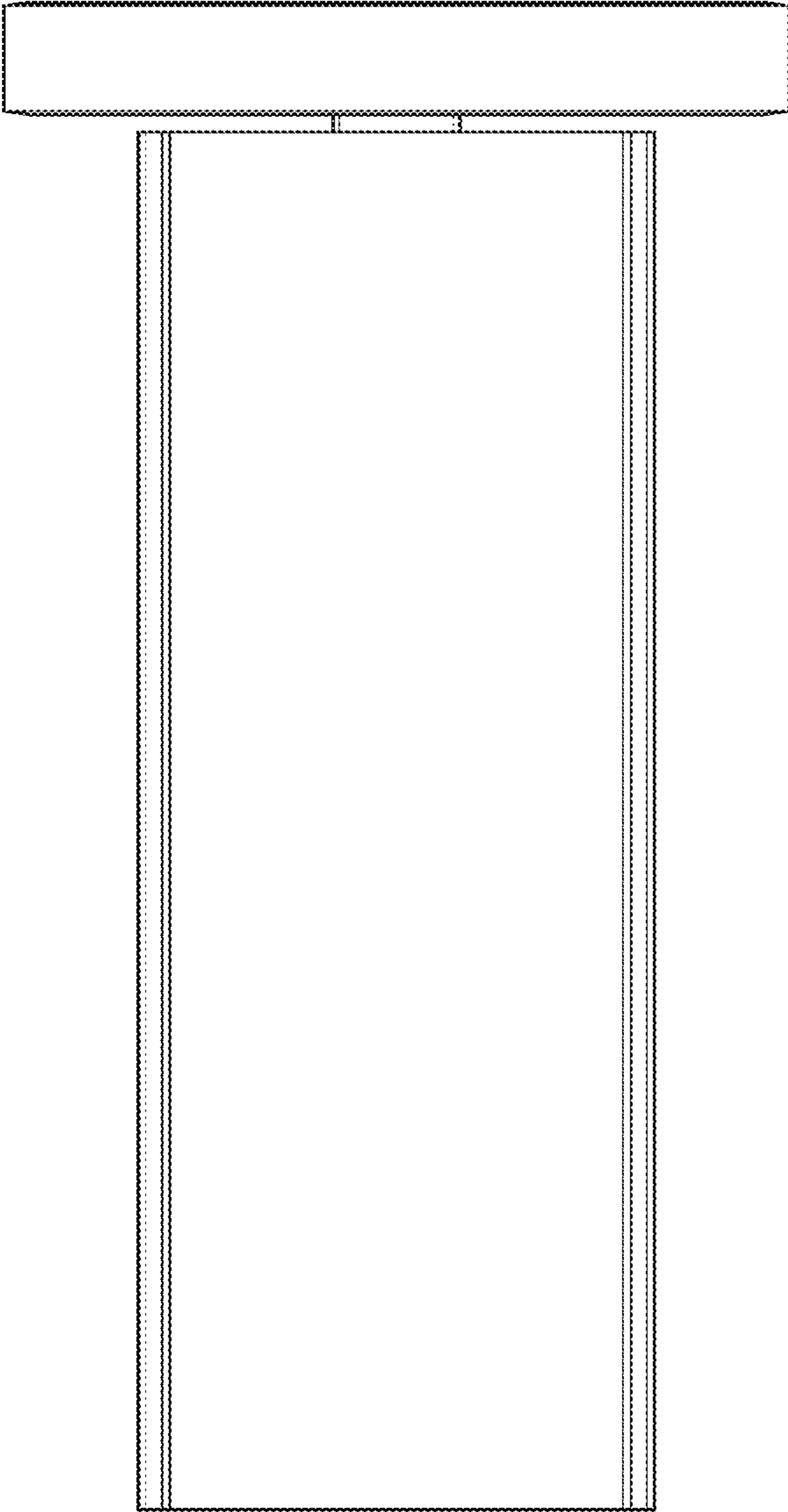


FIG. 4

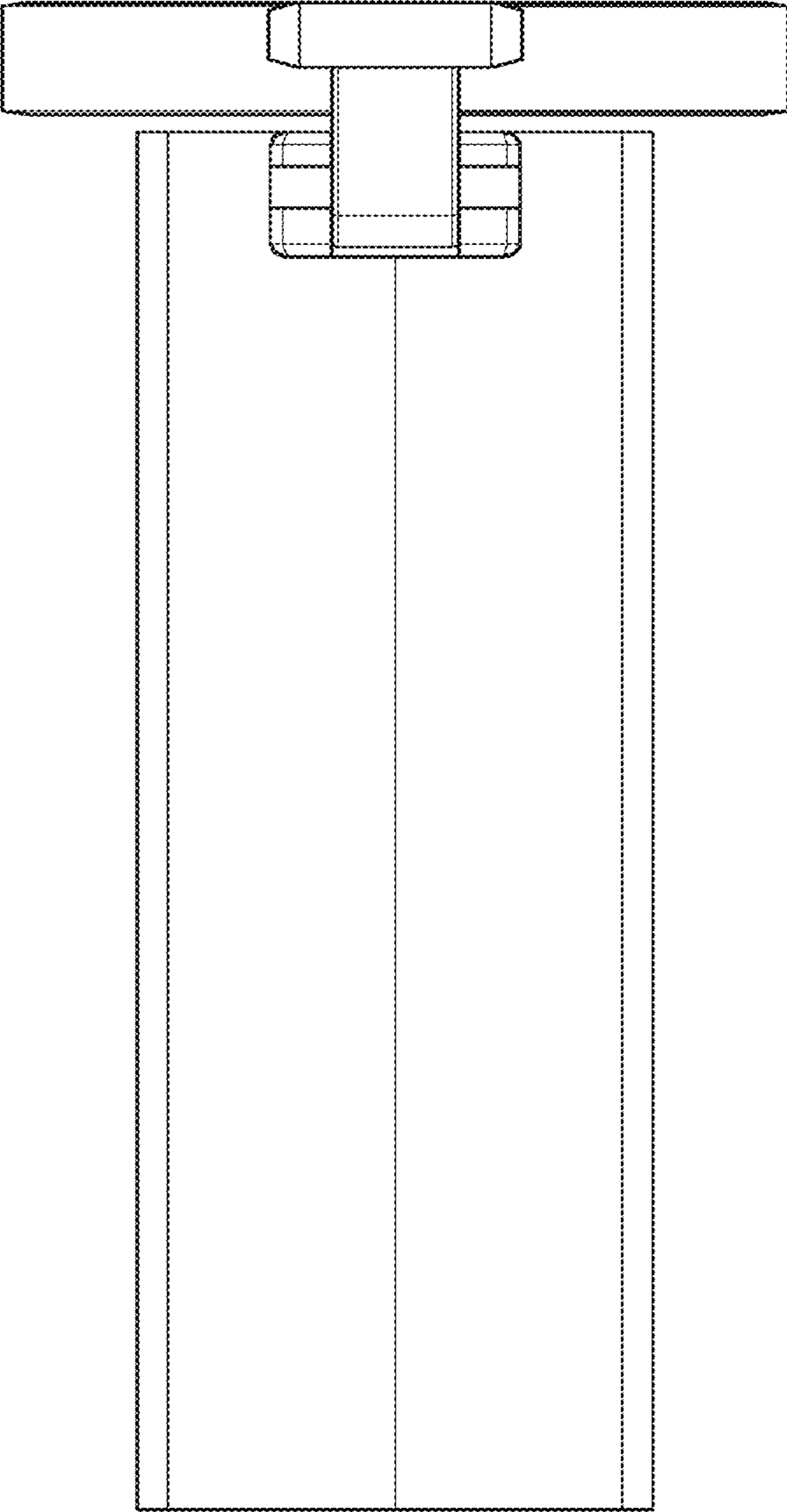


FIG. 5

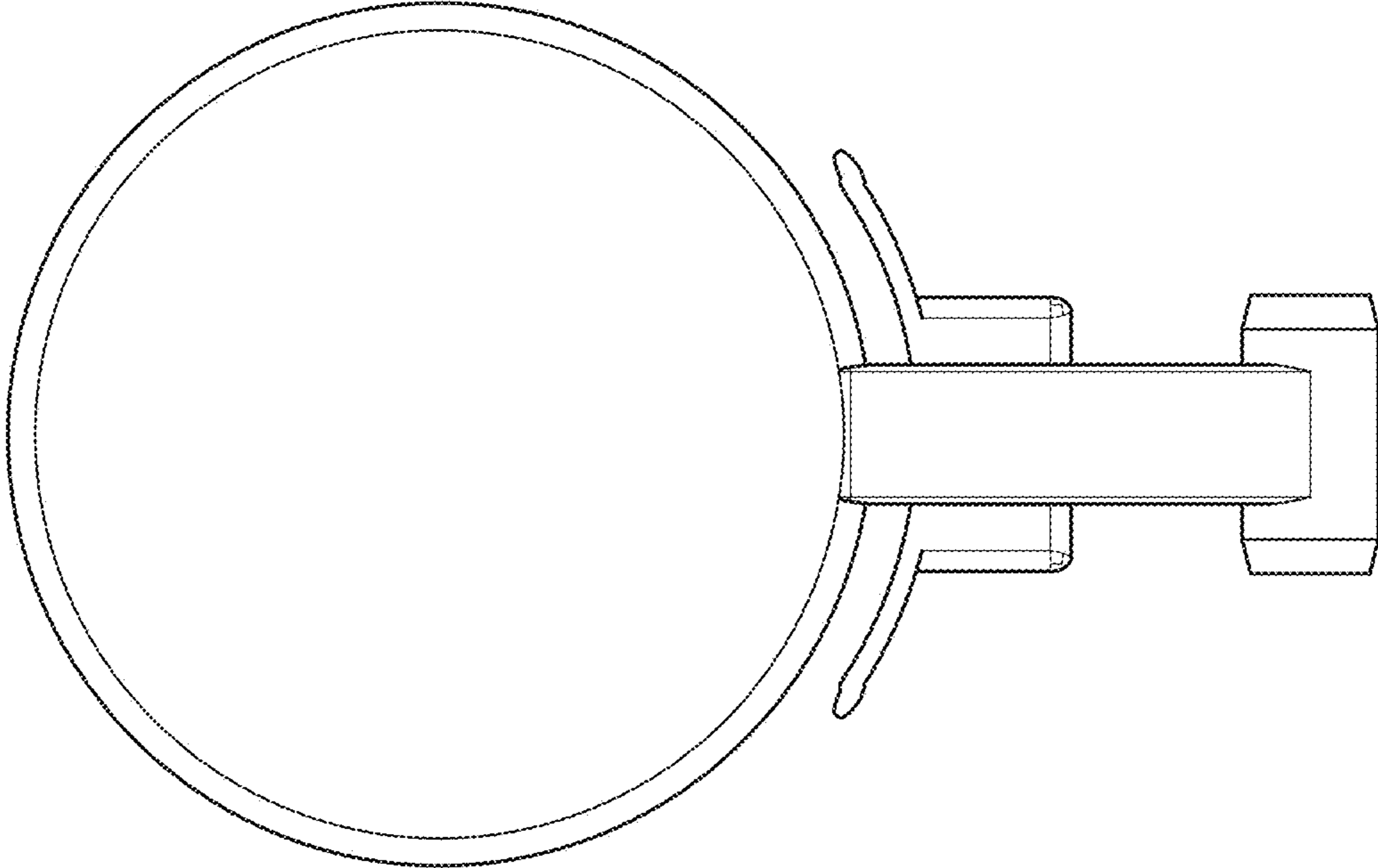


FIG. 6

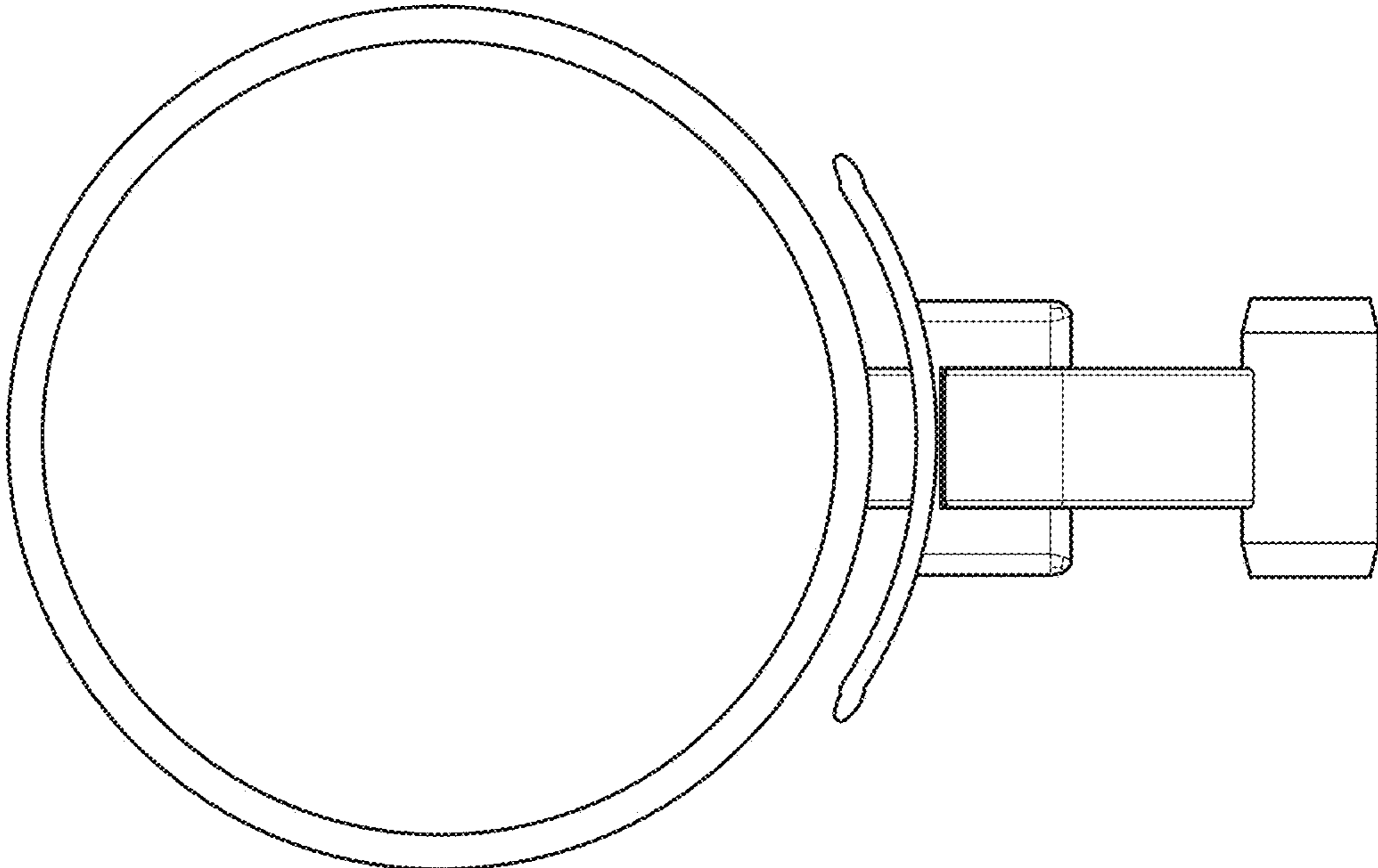


FIG. 7

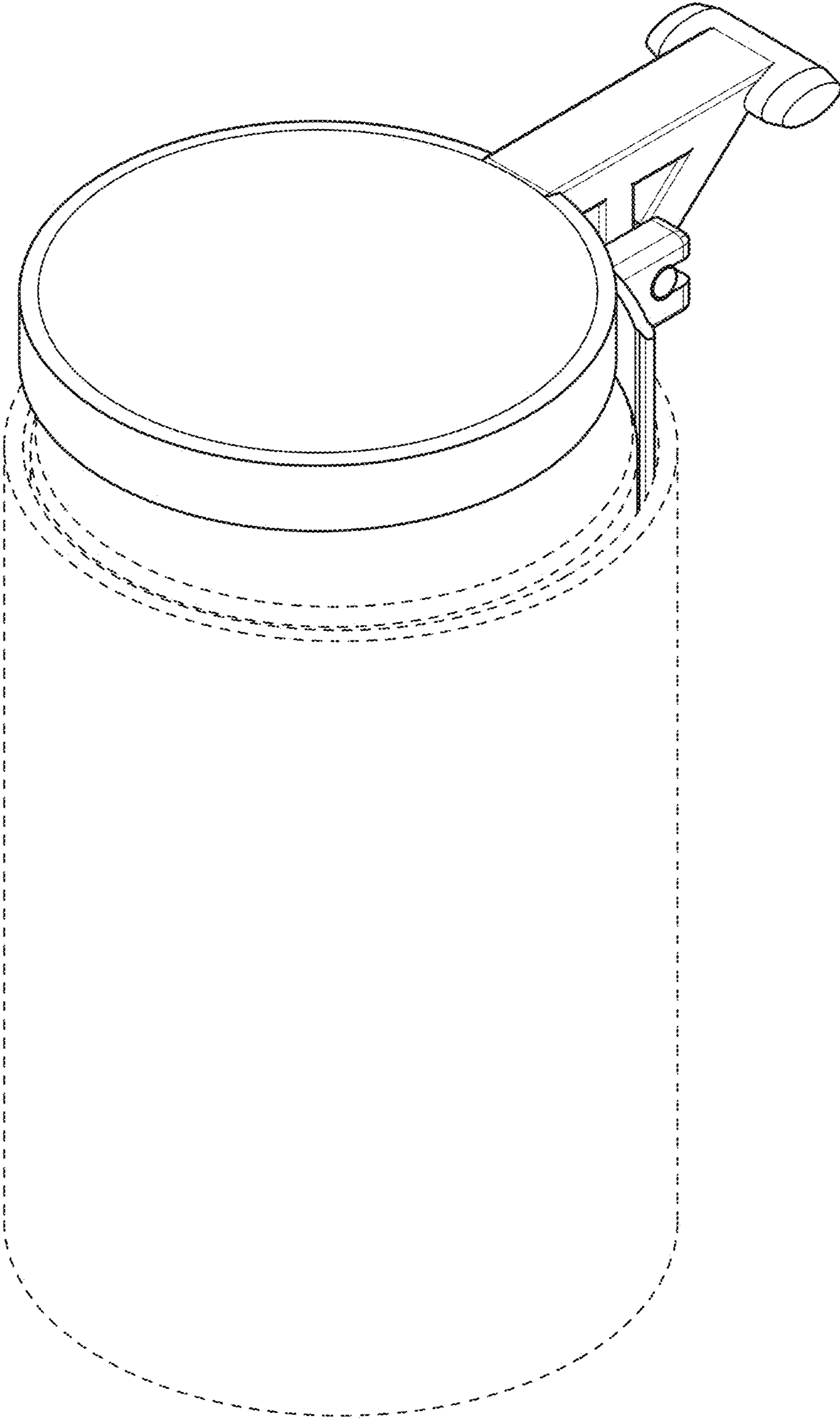


FIG. 8

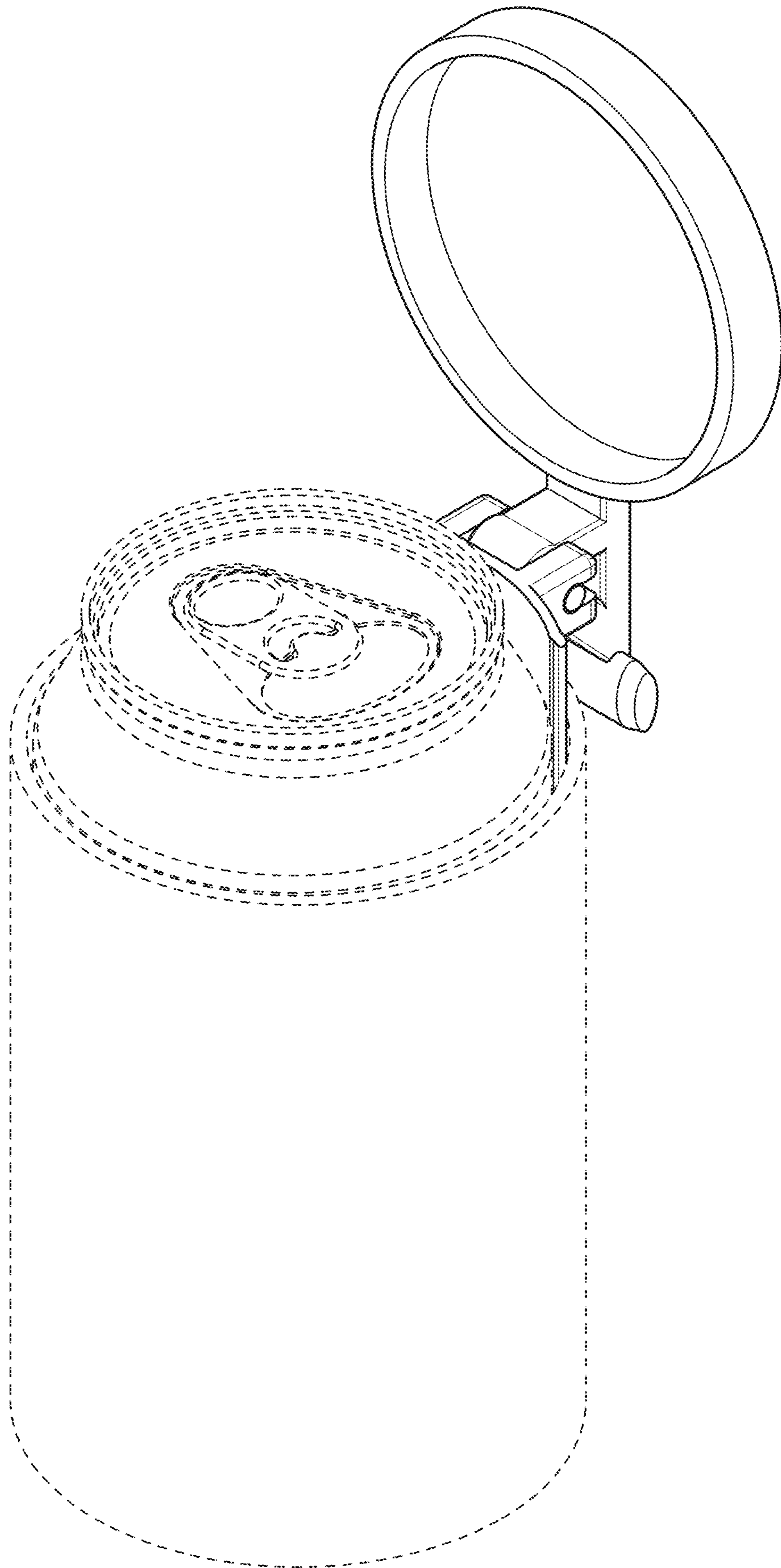


FIG. 9