



US00D961325S

(12) **United States Design Patent** (10) **Patent No.:** **US D961,325 S**  
**Chen** (45) **Date of Patent:** **\*\* Aug. 23, 2022**

(54) **BLENDER**  
(71) Applicant: **NINGBO YLAISEN MEDICAL DEVICE CO., LTD**, Ningbo (CN)  
(72) Inventor: **Juqing Chen**, Ningbo (CN)  
(\*\*) Term: **15 Years**  
(21) Appl. No.: **29/767,666**

D391,804 S \* 3/1998 Wong ..... D7/380  
D395,194 S \* 6/1998 Wong ..... D7/384  
D426,744 S \* 6/2000 Wong ..... D7/384  
D431,426 S \* 10/2000 Yip ..... D7/679  
D433,594 S \* 11/2000 Wong ..... D7/384  
D447,017 S \* 8/2001 Jalet ..... D7/693  
D494,821 S \* 8/2004 Spalding ..... D7/693  
D575,099 S \* 8/2008 Jalet ..... D7/376  
D795,636 S \* 8/2017 Chen ..... D7/669  
D833,806 S \* 11/2018 Chen ..... D7/381  
D906,755 S \* 1/2021 Byeon ..... D7/376

(22) Filed: **Jan. 25, 2021**  
(51) **LOC (13) Cl.** ..... **31-00**  
(52) **U.S. Cl.**  
USPC ..... **D7/384; D7/376; D7/378; D7/380;**  
**D7/381**

(58) **Field of Classification Search**  
USPC ..... D7/319, 372, 376-386, 393, 412-413,  
D7/510, 586, 602, 629, 665-666, 669,  
D7/679, 693-694  
CPC .... A21C 1/02; A21C 1/04; A23N 1/00; A23N  
1/02; A47J 43/04; A47J 43/24; A47J  
43/25; A47J 43/27; A47J 43/042; A47J  
43/044; A47J 43/046; A47J 43/075; A47J  
43/0722; A47J 43/0727; A47J 43/0766;  
A47J 42/04; A47J 42/08; A47J 42/10;  
B01F 3/00; B01F 3/0807; B01F 3/0853;  
B01F 13/0059; B01F 13/0064; B02C  
1/08; B02C 2/04; B02C 4/42; B02C  
4/142; B02C 4/143; B02C 4/423; B02C  
13/1835; B28C 5/10; B28C 5/12; B28C  
5/14; B28C 5/16  
See application file for complete search history.

(56) **References Cited**  
U.S. PATENT DOCUMENTS  
5,156,084 A \* 10/1992 Lin ..... A47J 43/24  
366/279  
D361,694 S \* 8/1995 Wong ..... D7/384

**OTHER PUBLICATIONS**

KEOUKE Onion Chopper Food Chopper. Date First Available on Amazon.com Dec. 8, 2020. <https://www.amazon.com/dp/B08PYPFR2Z/> ref (Year: 2020).\*

\* cited by examiner

*Primary Examiner* — Ricky Pham

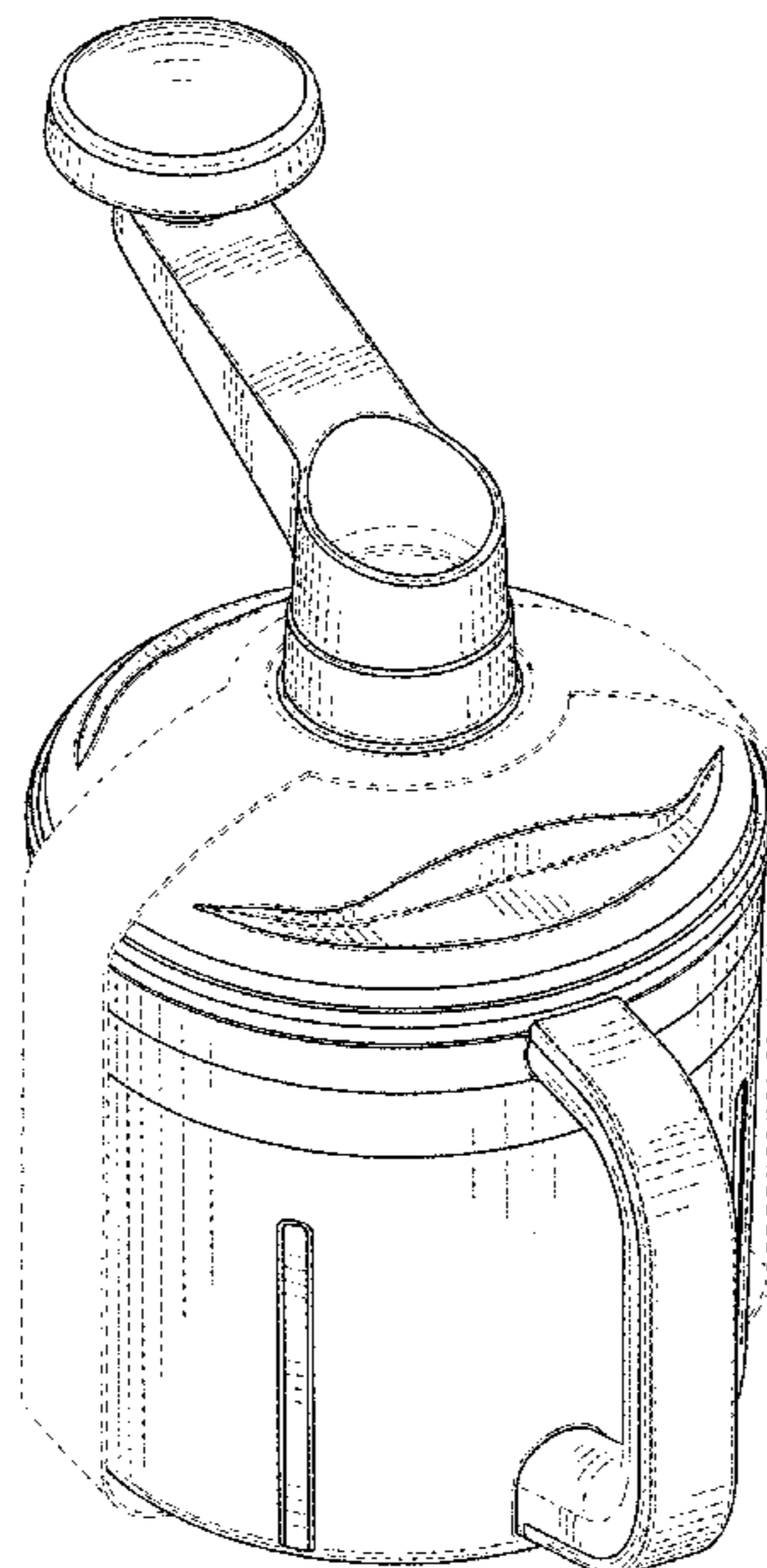
(57) **CLAIM**

The ornamental design for a blender, as shown and described.

**DESCRIPTION**

FIG. 1 is a perspective view of a blender, showing my new design;  
FIG. 2 is a front elevational view thereof;  
FIG. 3 is a rear elevational view thereof;  
FIG. 4 is a left elevational view thereof;  
FIG. 5 is a right elevational view thereof;  
FIG. 6 is a top plan view thereof; and,  
FIG. 7 is a bottom plan view thereof.  
The evenly broken lines where present illustrate portions of the blender that form no part of the claimed design.

**1 Claim, 7 Drawing Sheets**



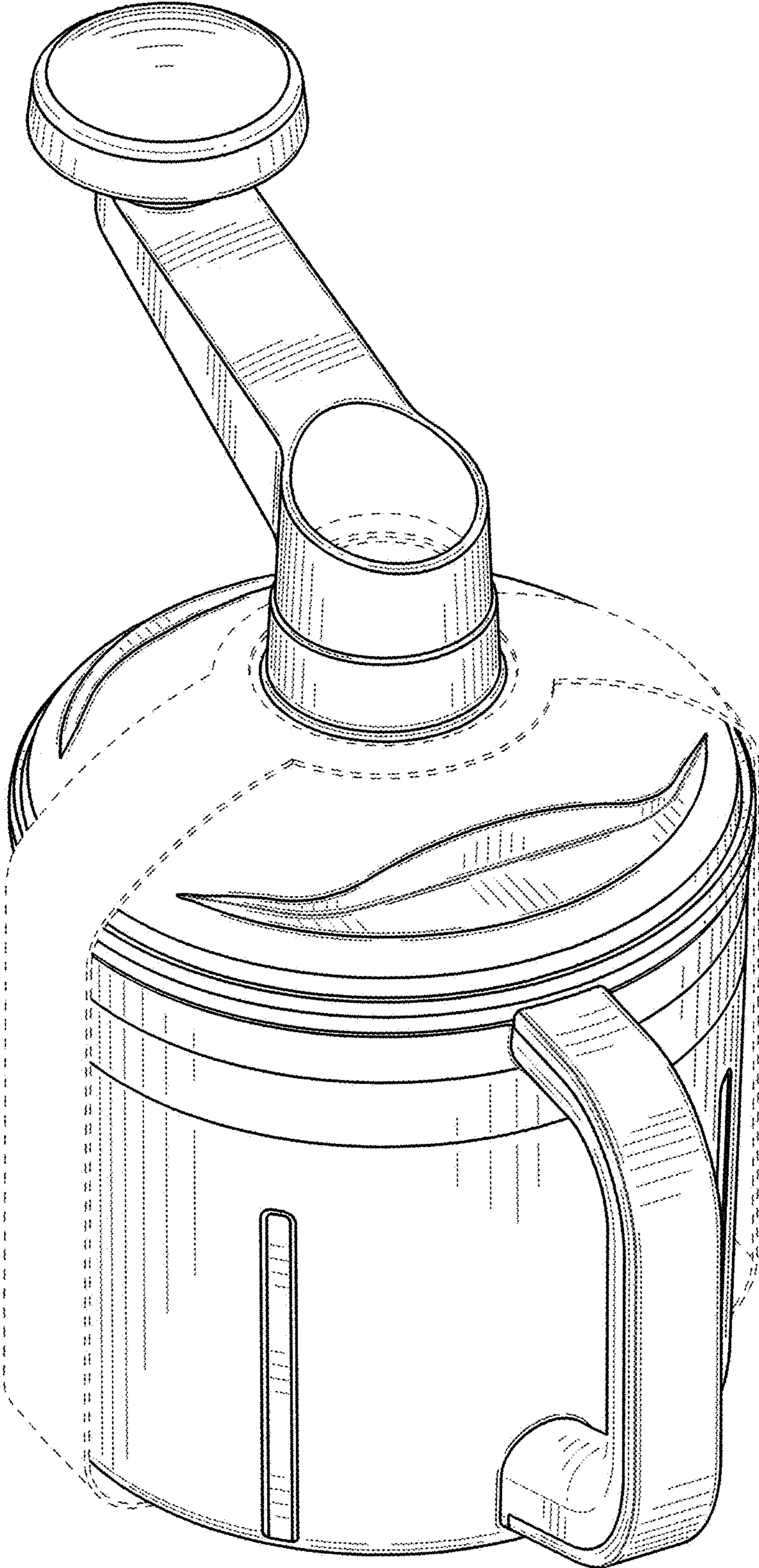


FIG. 1

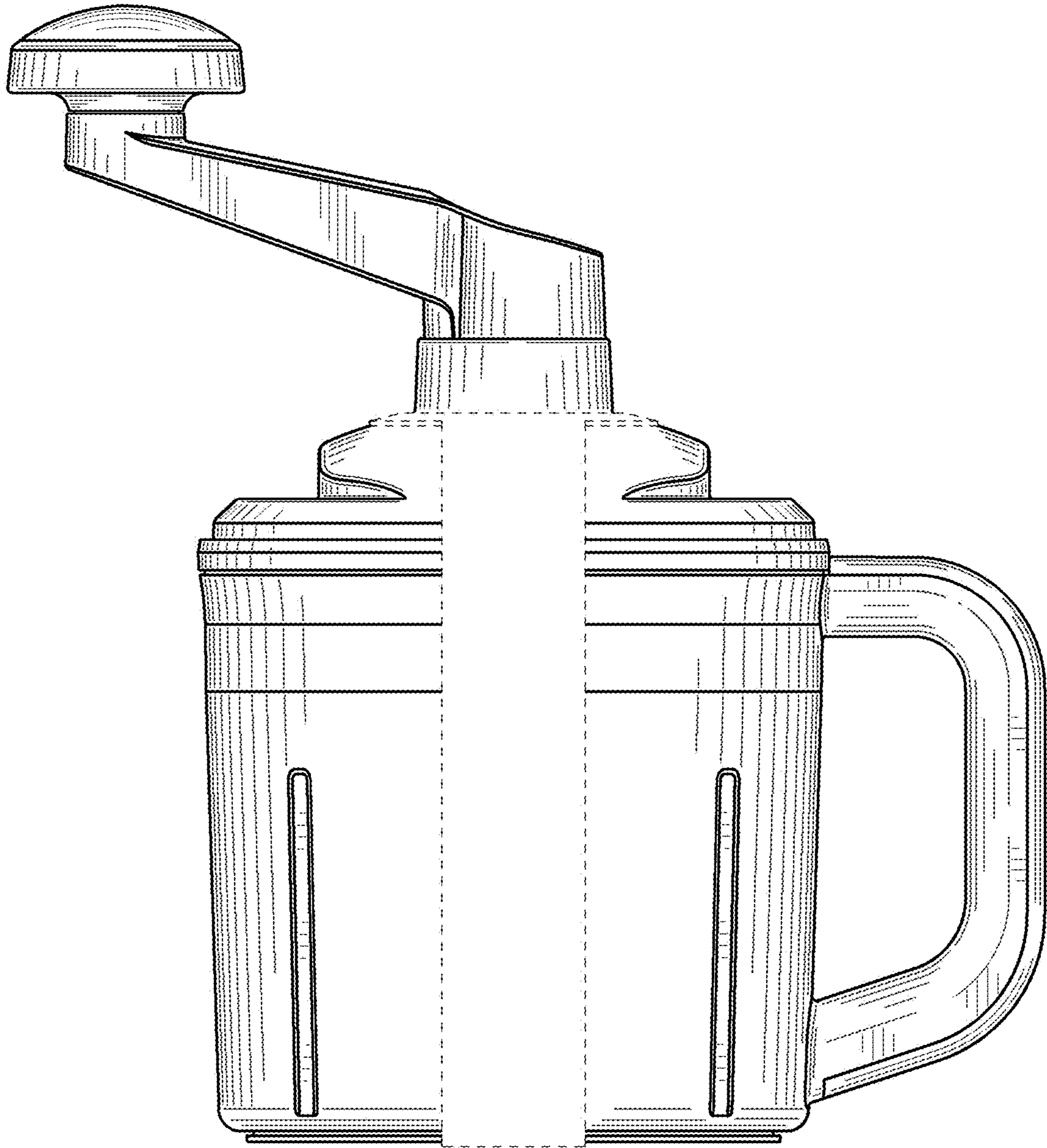


FIG. 2

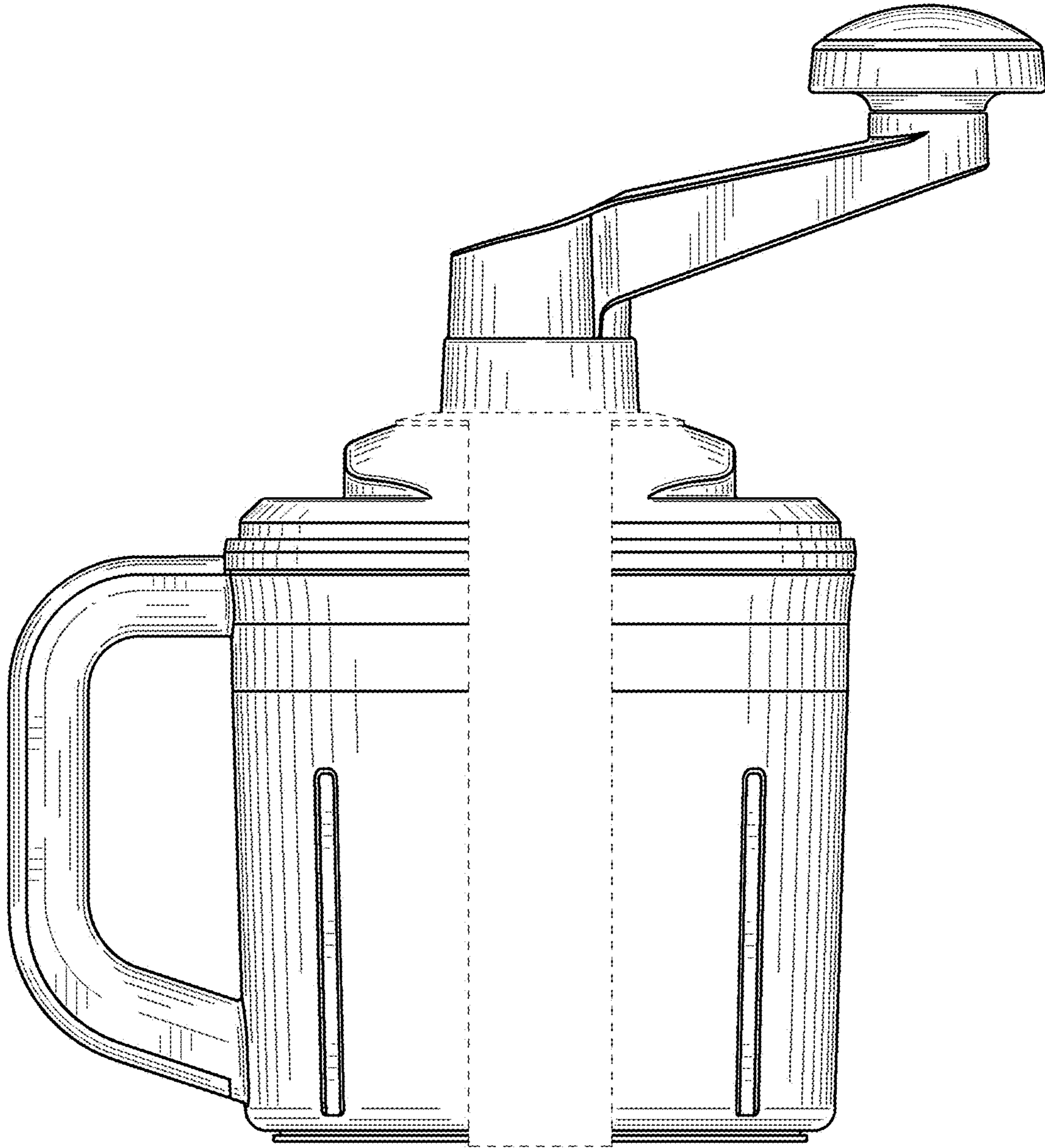


FIG. 3

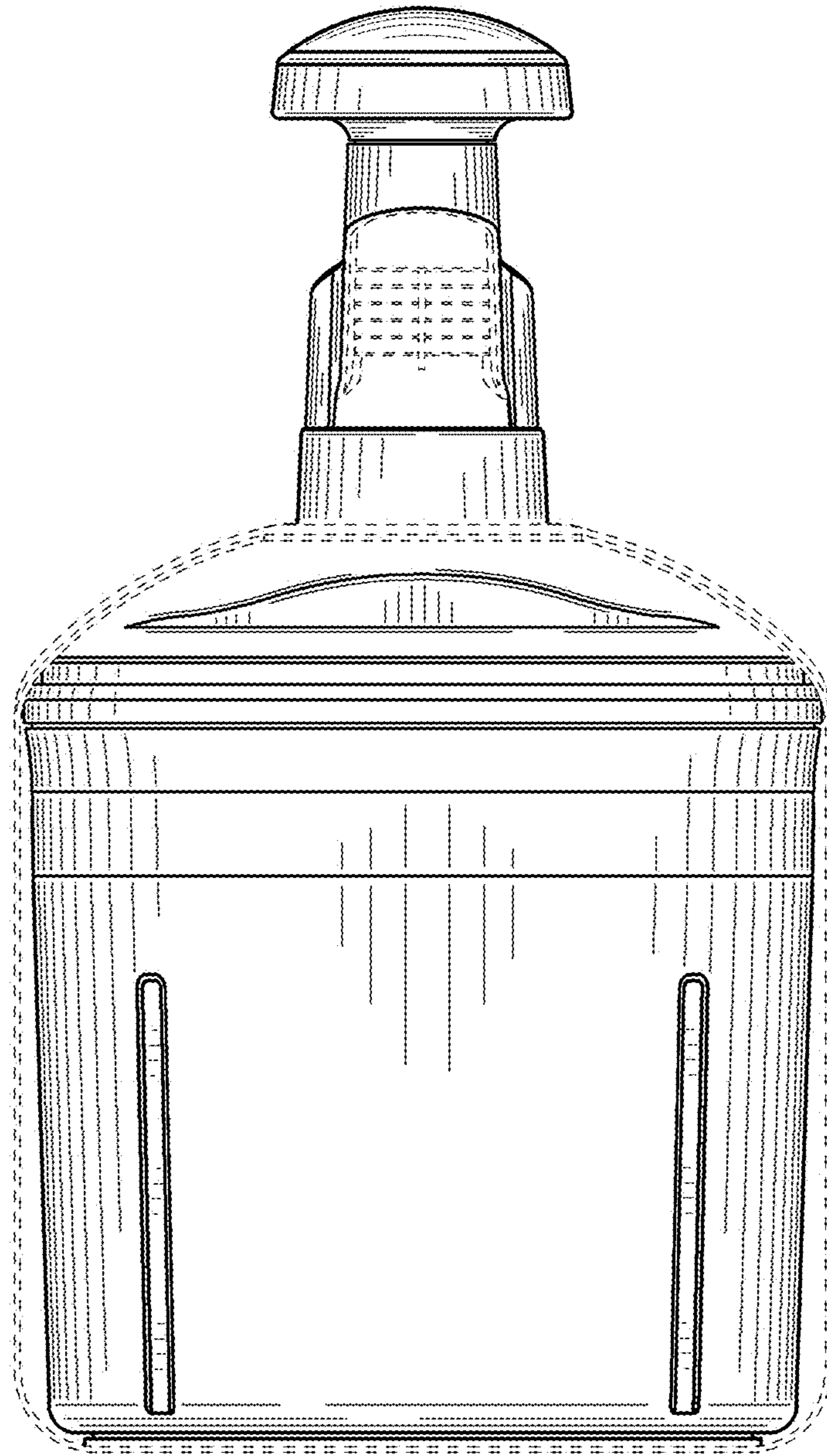


FIG. 4

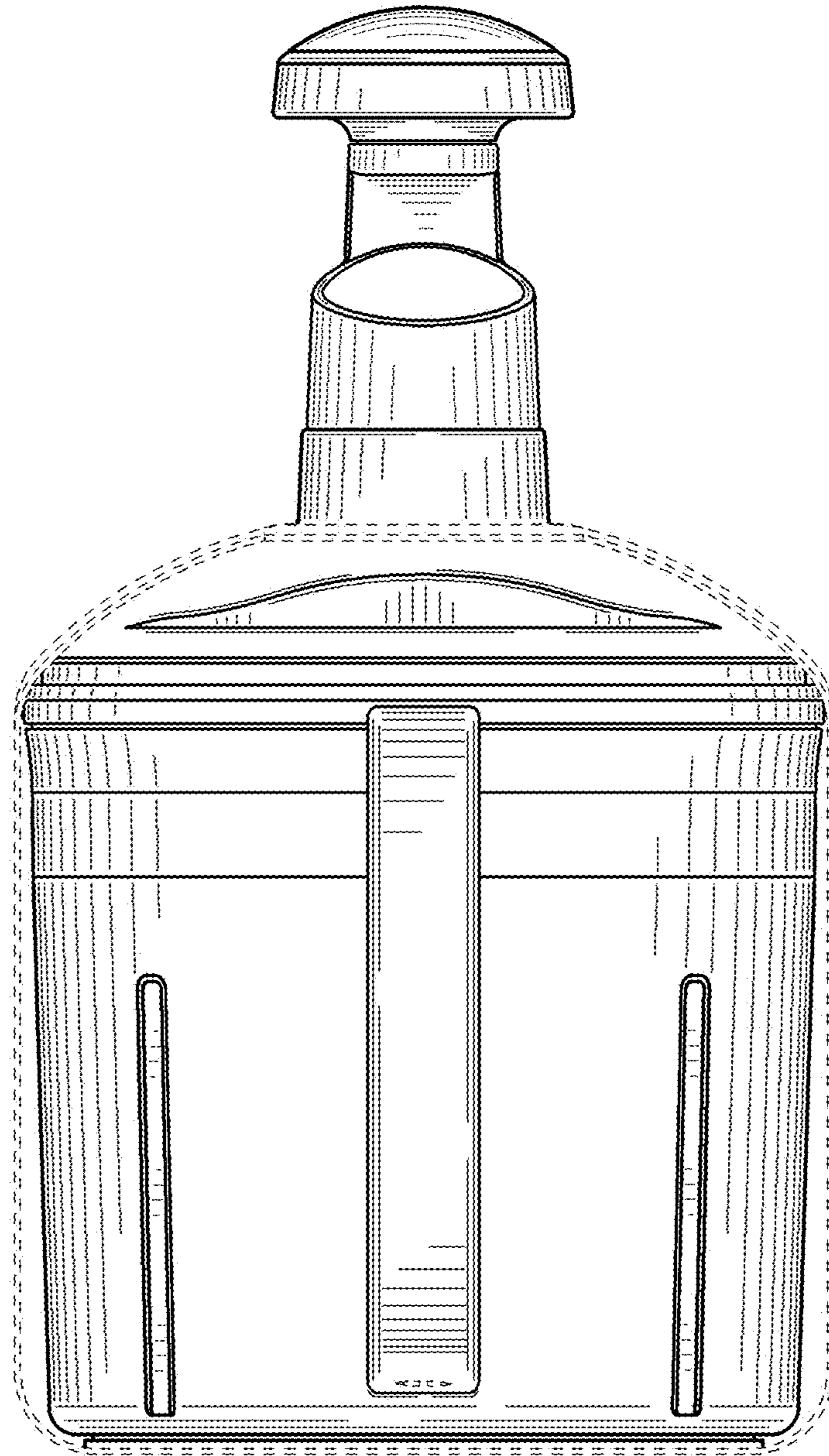


FIG. 5

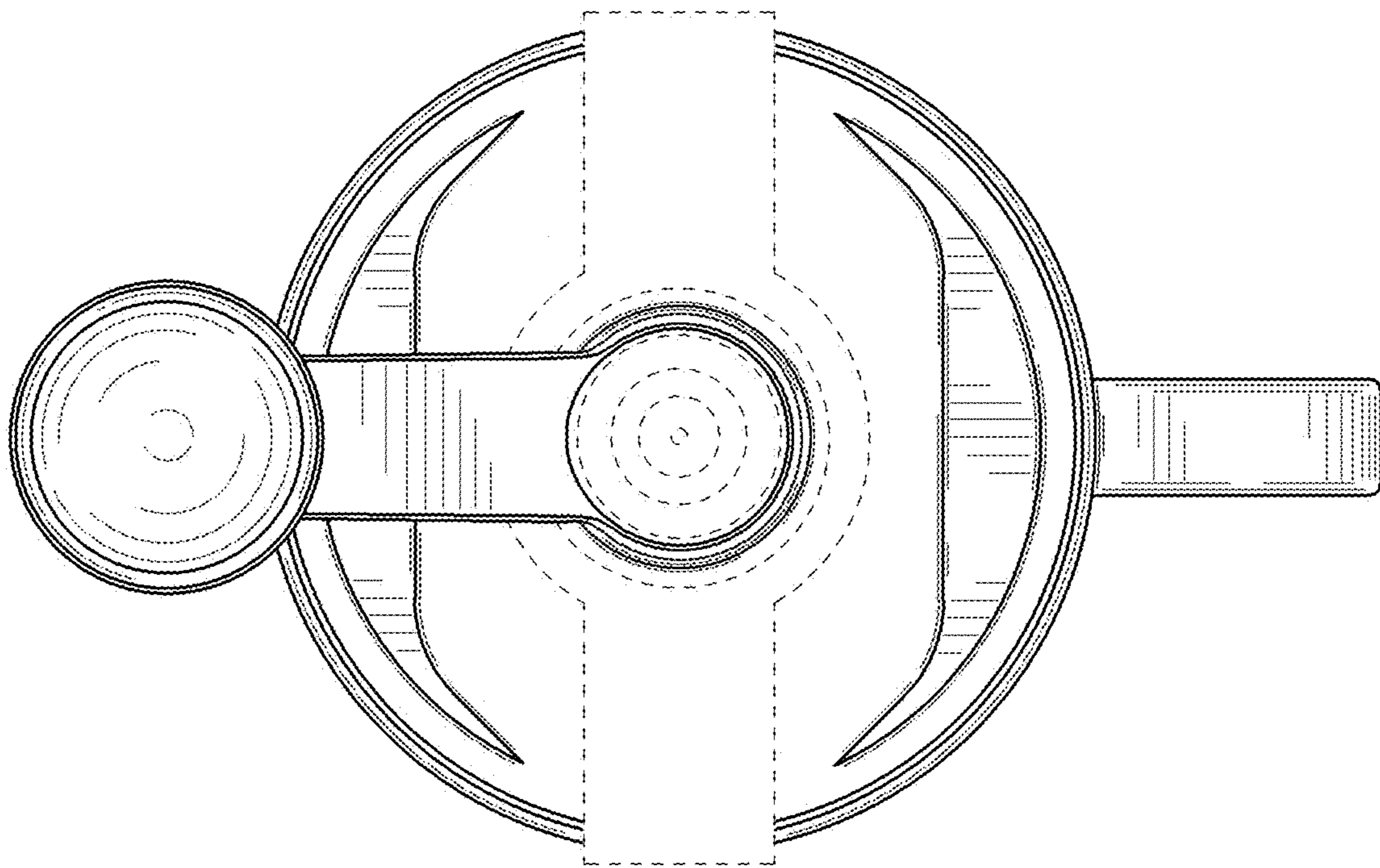


FIG. 6

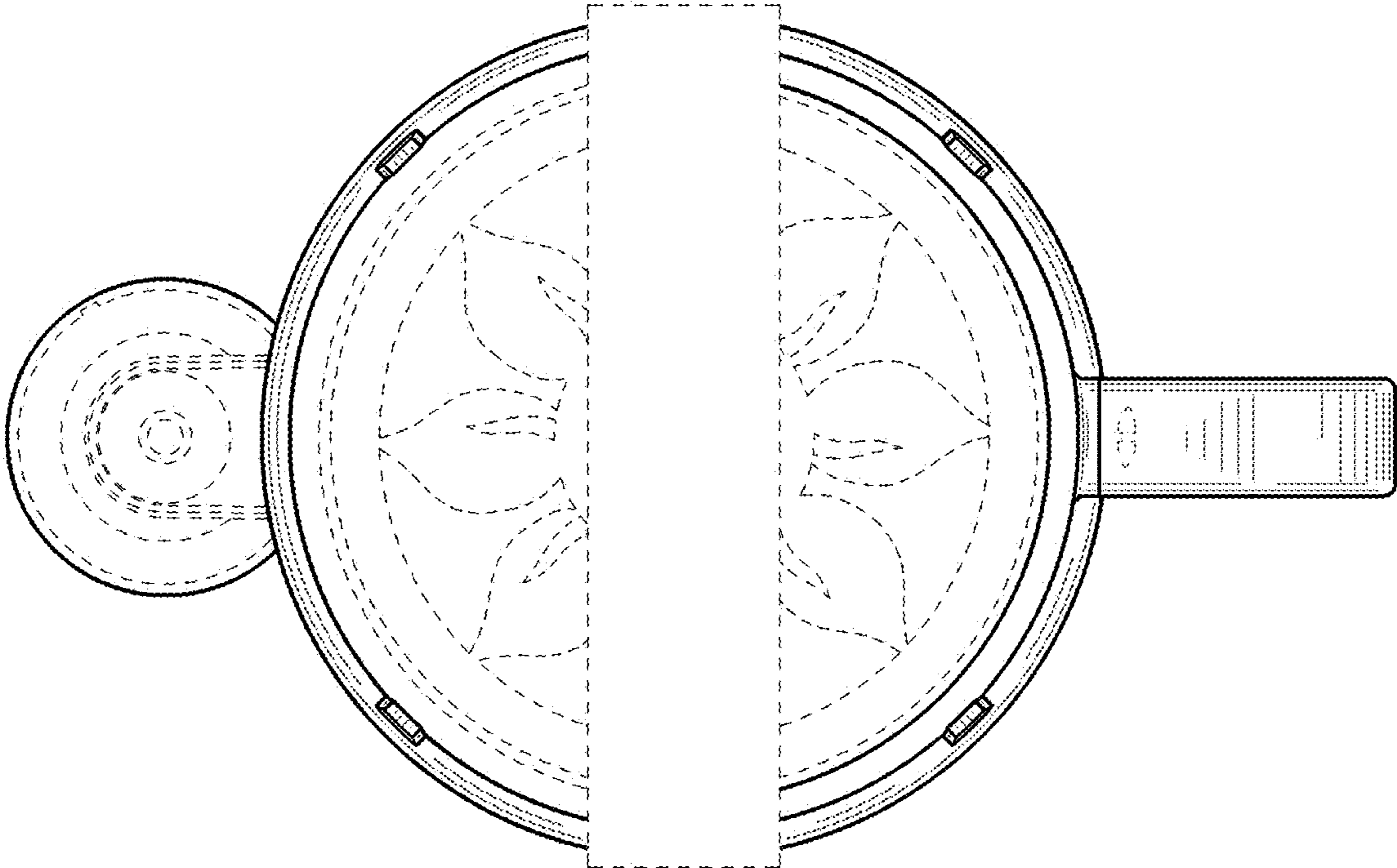


FIG. 7