



US00D961324S

(12) **United States Design Patent**
Zhang

(10) **Patent No.:** **US D961,324 S**

(45) **Date of Patent:** **** Aug. 23, 2022**

(54) **CAST IRON POT**

(71) Applicant: **Shijiazhuang Baichu Trading Co., Ltd.**, Hebei (CN)

(72) Inventor: **Yanyan Zhang**, Hebei (CN)

(73) Assignee: **Shijiazhuang Baichu Trading Co., Ltd.**, Hebei (CN)

(**) Term: **15 Years**

(21) Appl. No.: **29/799,899**

(22) Filed: **Jul. 16, 2021**

(51) **LOC (13) Cl.** **07-02**

(52) **U.S. Cl.**
USPC **D7/360; D7/354**

(58) **Field of Classification Search**
USPC D7/323, 354–363, 391, 393–396, 409, D7/542, 545
CPC A47G 19/12; A47J 27/00; A47J 27/002; A47J 27/08; A47J 27/21; A47J 27/58; A47J 36/025; A47J 36/02; A47J 36/06; A47J 36/12; A47J 37/00; A47J 37/0704; A47J 37/10; A47J 37/101; A47J 37/103; A47J 37/12; A47J 37/1204; A47J 45/061; A47J 45/071; A47J 45/08; H05B 6/12
See application file for complete search history.

(56) **References Cited**

U.S. PATENT DOCUMENTS

D207,954 S *	6/1967	Parker	D7/542
D212,704 S *	11/1968	Benes	D7/360
D295,819 S *	5/1988	Mercadante	D7/545
D325,684 S *	4/1992	Deare	D30/129
6,105,810 A *	8/2000	Daenen	A47J 36/12 220/366.1
D667,273 S *	9/2012	Henry	D7/542
D683,179 S *	5/2013	Coursey	D7/354

D702,991 S *	4/2014	Roussard	D7/354
D811,800 S *	3/2018	Workman	D7/354
D931,677 S *	9/2021	Cossu	D7/360
2011/0252977 A1 *	10/2011	Sacherman	A47J 37/0704 99/450
2013/0161334 A1 *	6/2013	Liu	A47J 36/02 220/573.1
2017/0172345 A1 *	6/2017	Bennett	A47J 37/101

OTHER PUBLICATIONS

Le Creuset Enameled Cast Iron Signature Round Dutch Oven. Date First Available on Amazon.com Aug. 8, 2018. <https://www.amazon.com/dp/B07G2R8TN9/ref> (Year: 2018).*

* cited by examiner

Primary Examiner — Ricky Pham

(74) *Attorney, Agent, or Firm* — ScienBiziP, P.C.

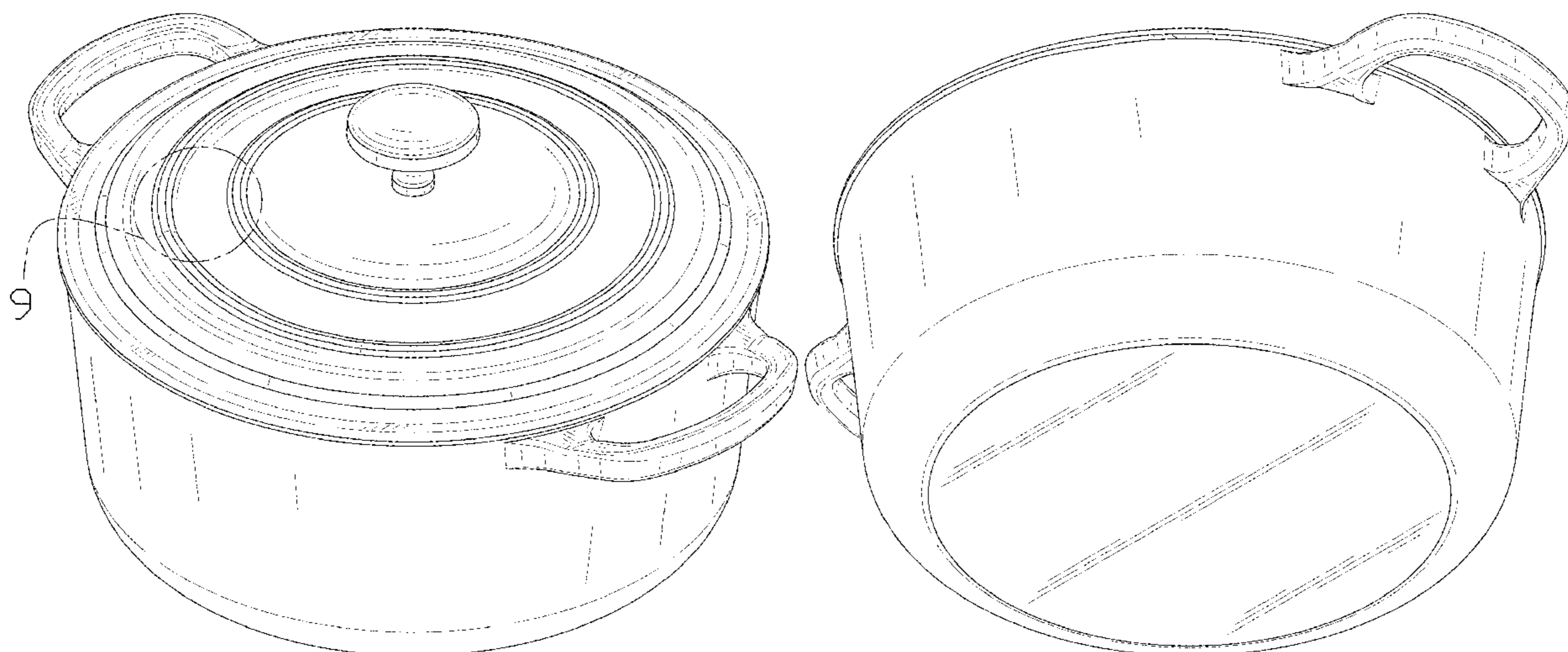
(57) **CLAIM**

The ornamental design for a cast iron pot, as shown and described.

DESCRIPTION

FIG. 1 is a front, right, and top perspective view of a cast iron pot, showing my design.
FIG. 2 is a rear, left, and bottom perspective view thereof.
FIG. 3 is a front elevation view thereof.
FIG. 4 is a rear elevation view thereof.
FIG. 5 is a left side elevation view thereof.
FIG. 6 is a right side elevation view thereof.
FIG. 7 is a top plan view thereof.
FIG. 8 is a bottom plan view thereof; and,
FIG. 9 is a partial enlarged view of an area labeled 9 in FIG. 1 comprising a portion of a lid.
Dot-dash broken lines framing portions of the claimed design that are illustrated for enlargements form no part of the claimed design.

1 Claim, 9 Drawing Sheets



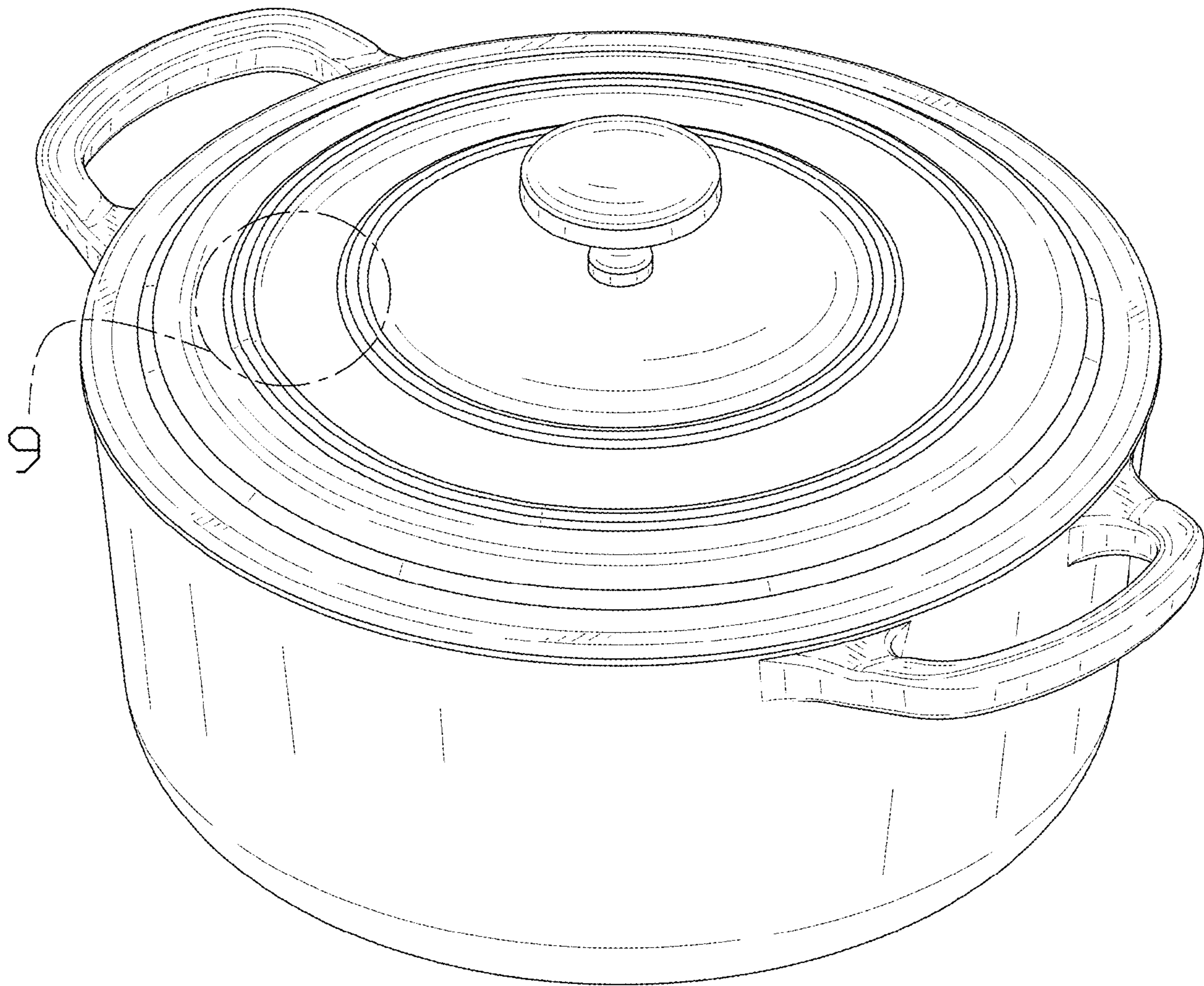


FIG. 1

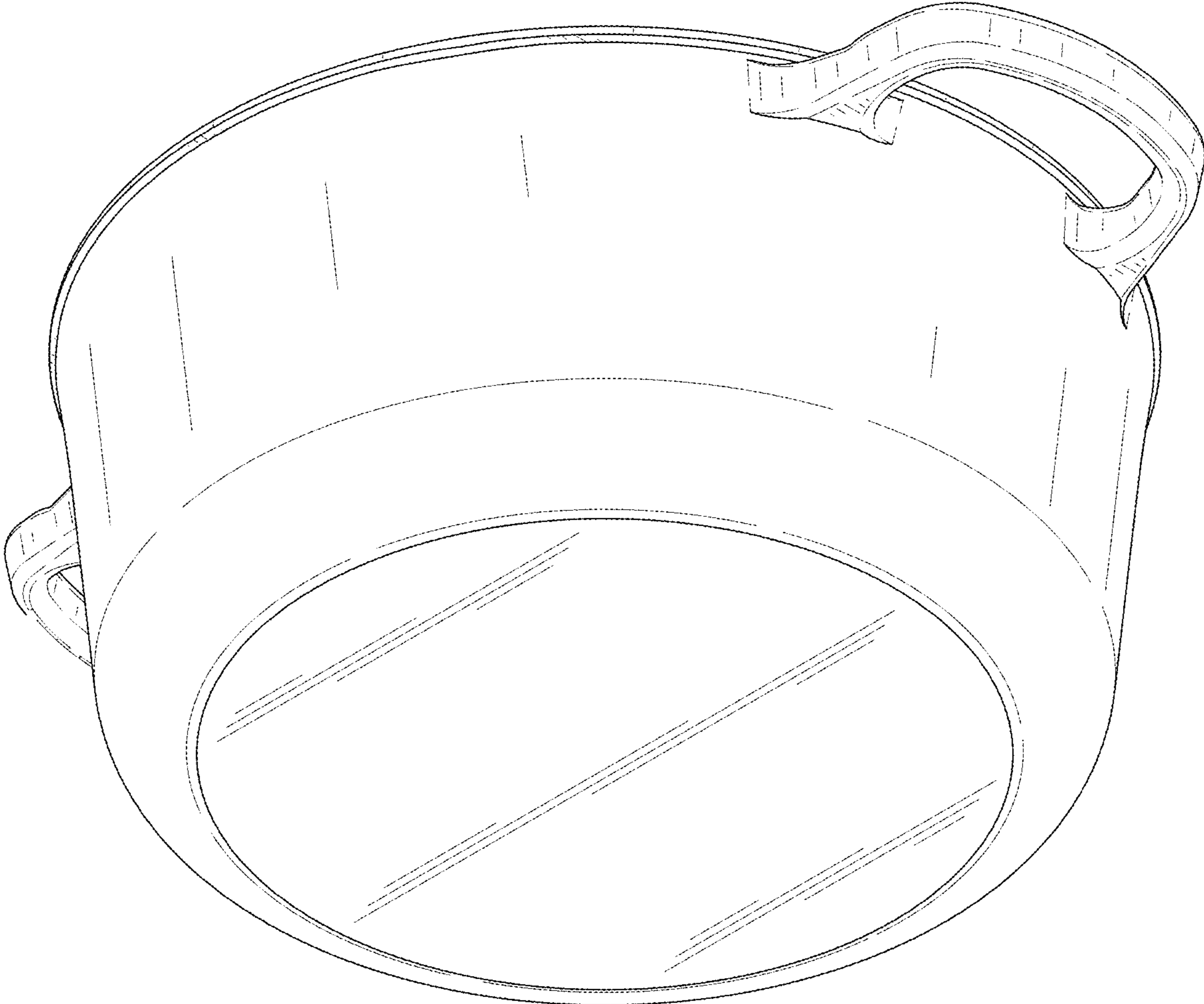


FIG. 2

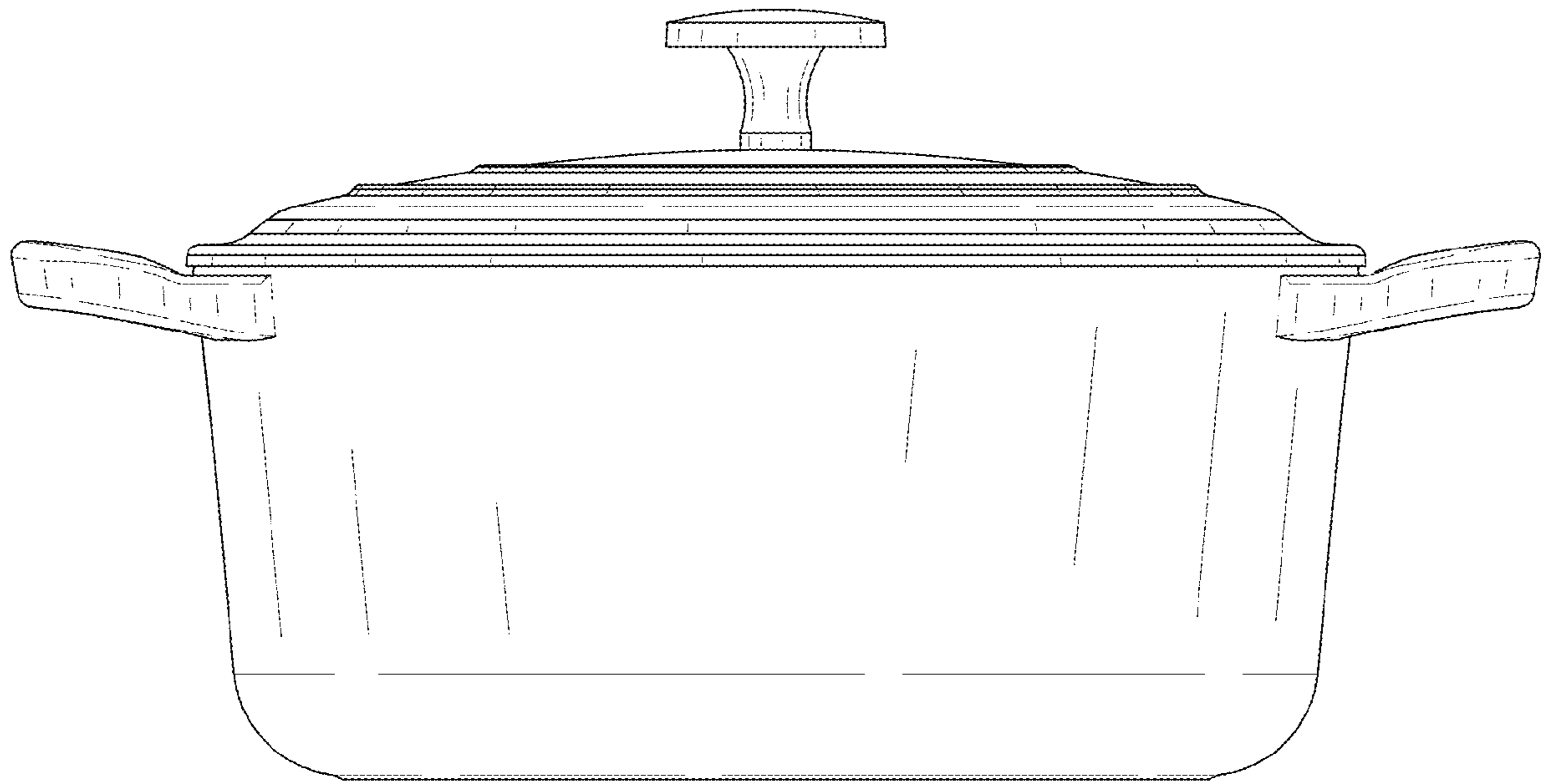


FIG. 3

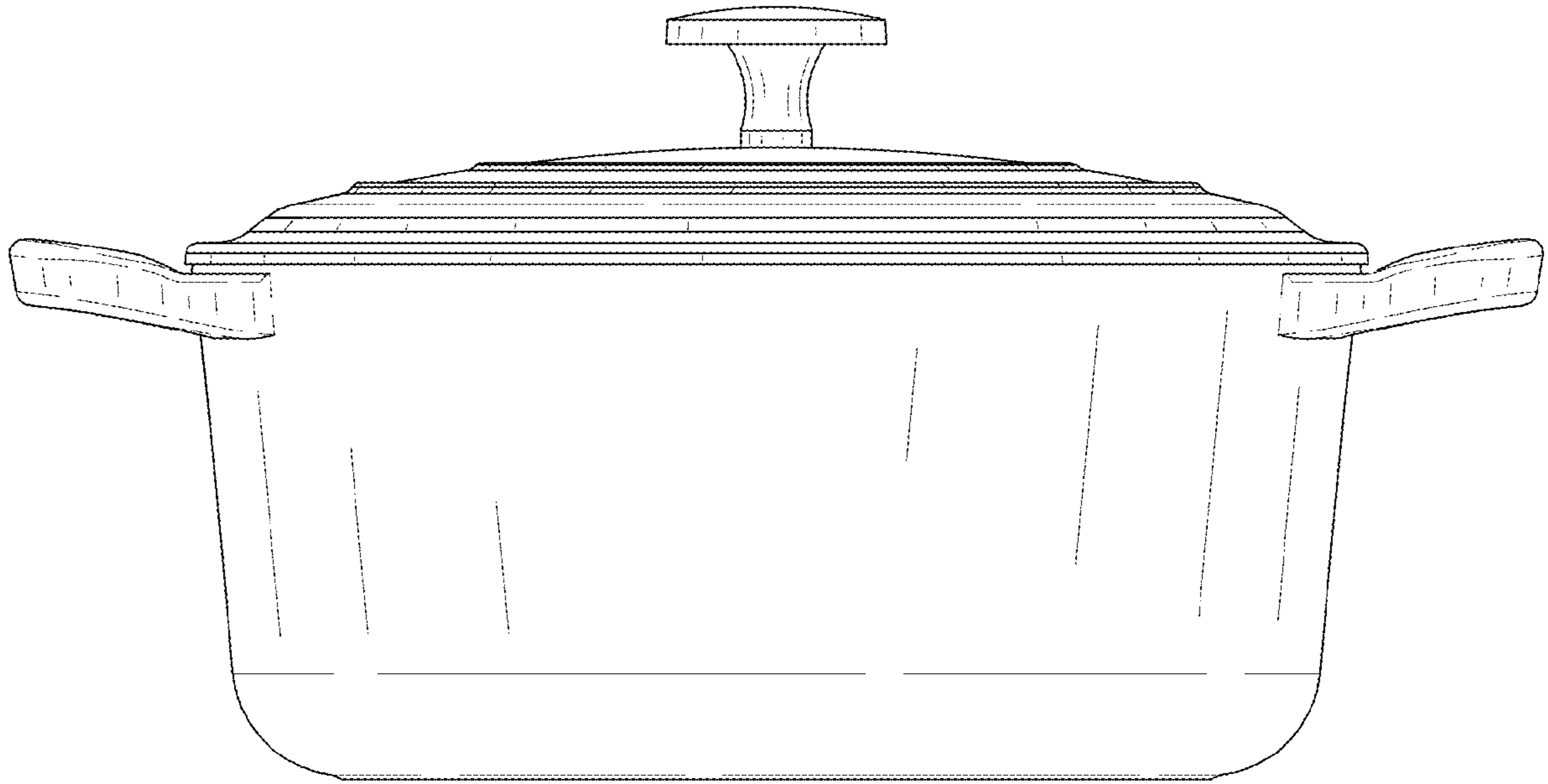


FIG. 4

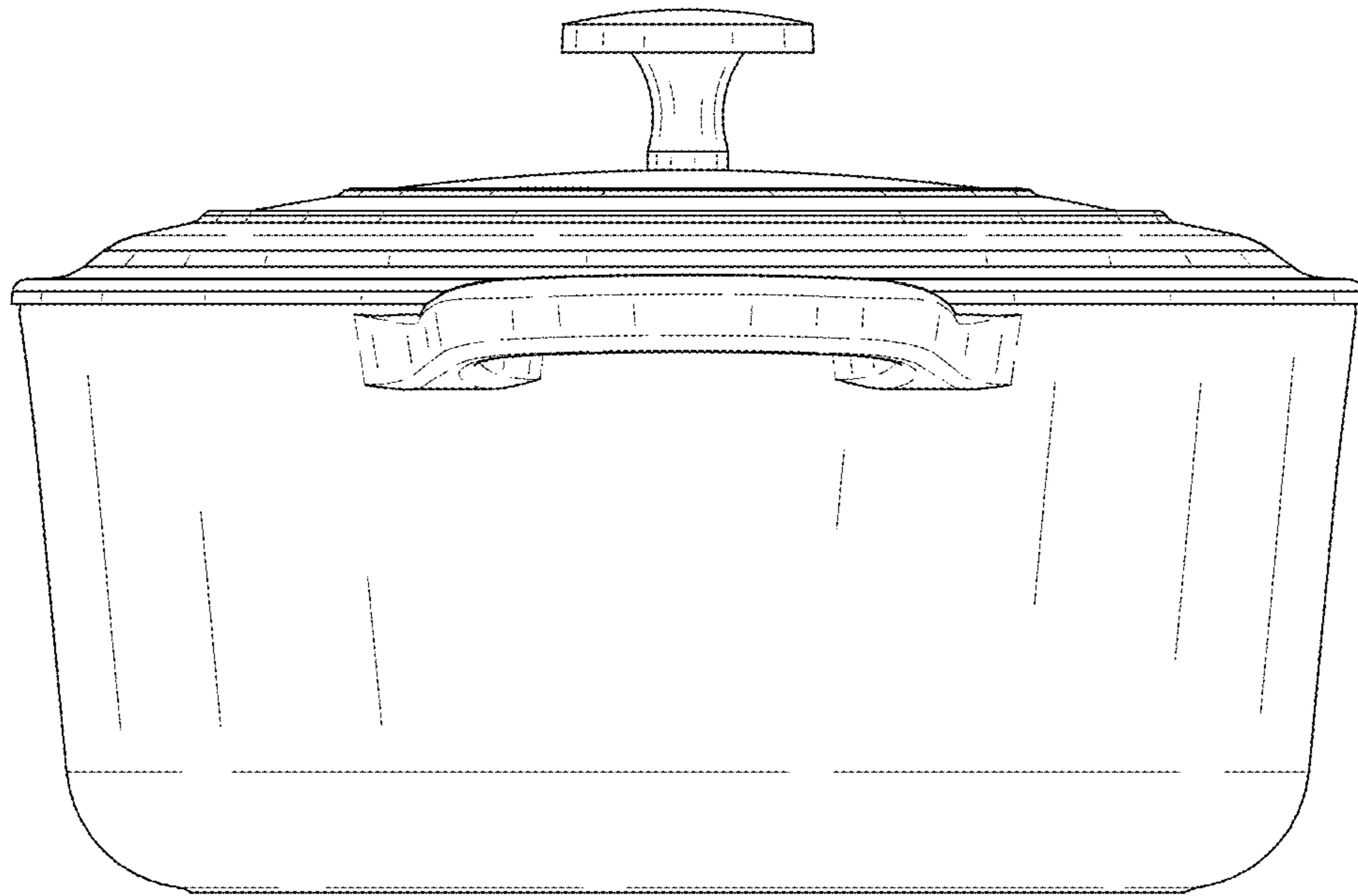


FIG. 5

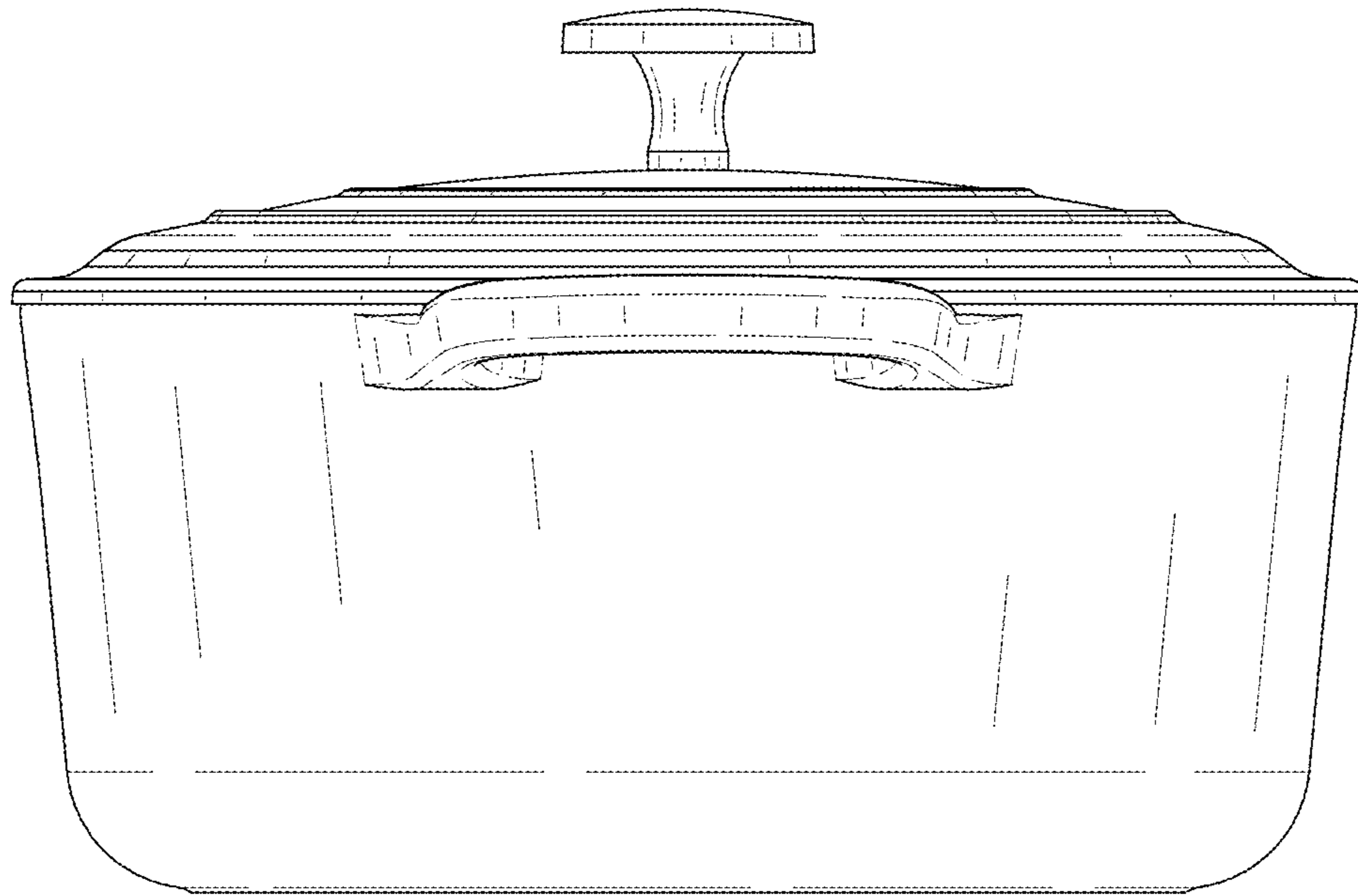


FIG. 6

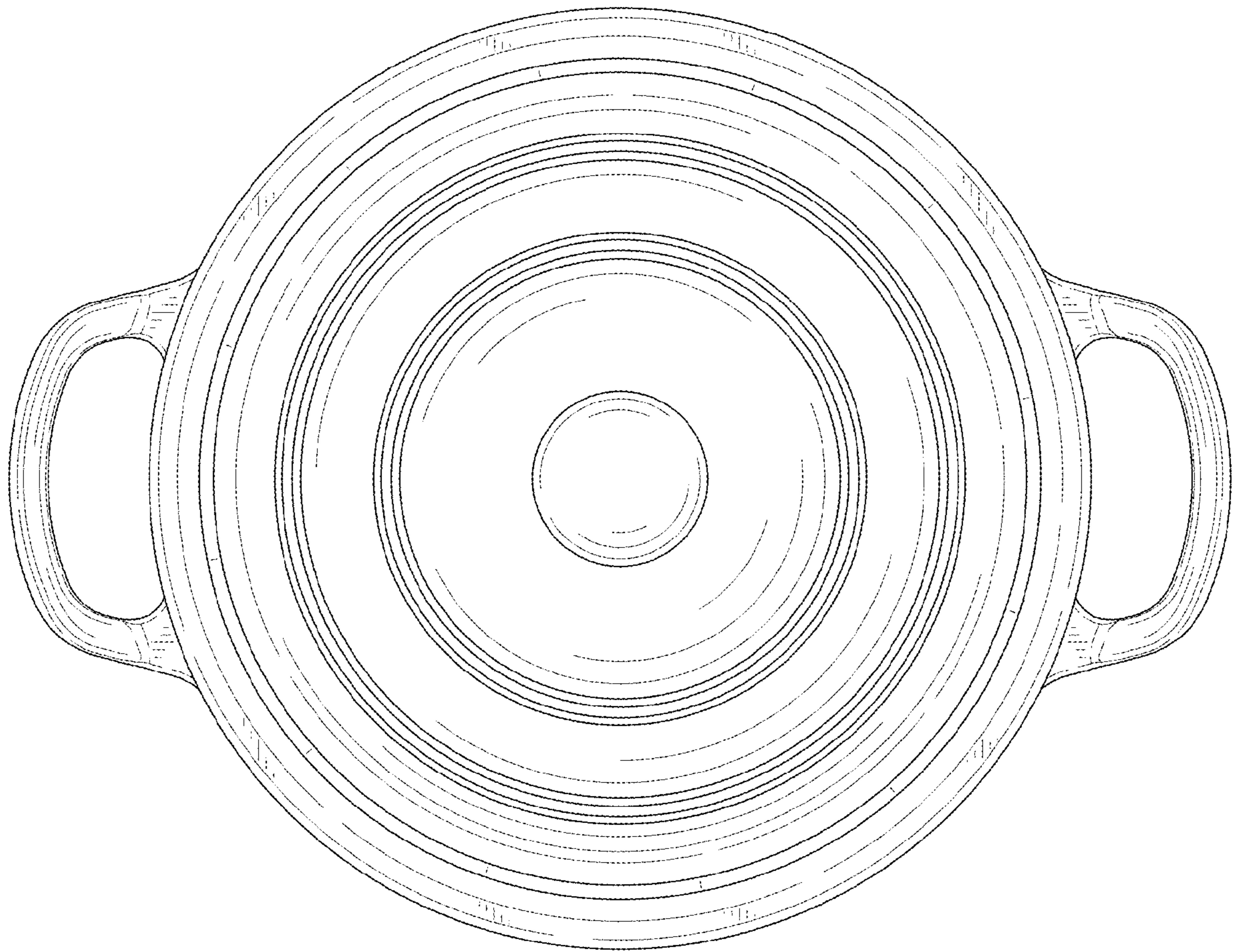


FIG. 7

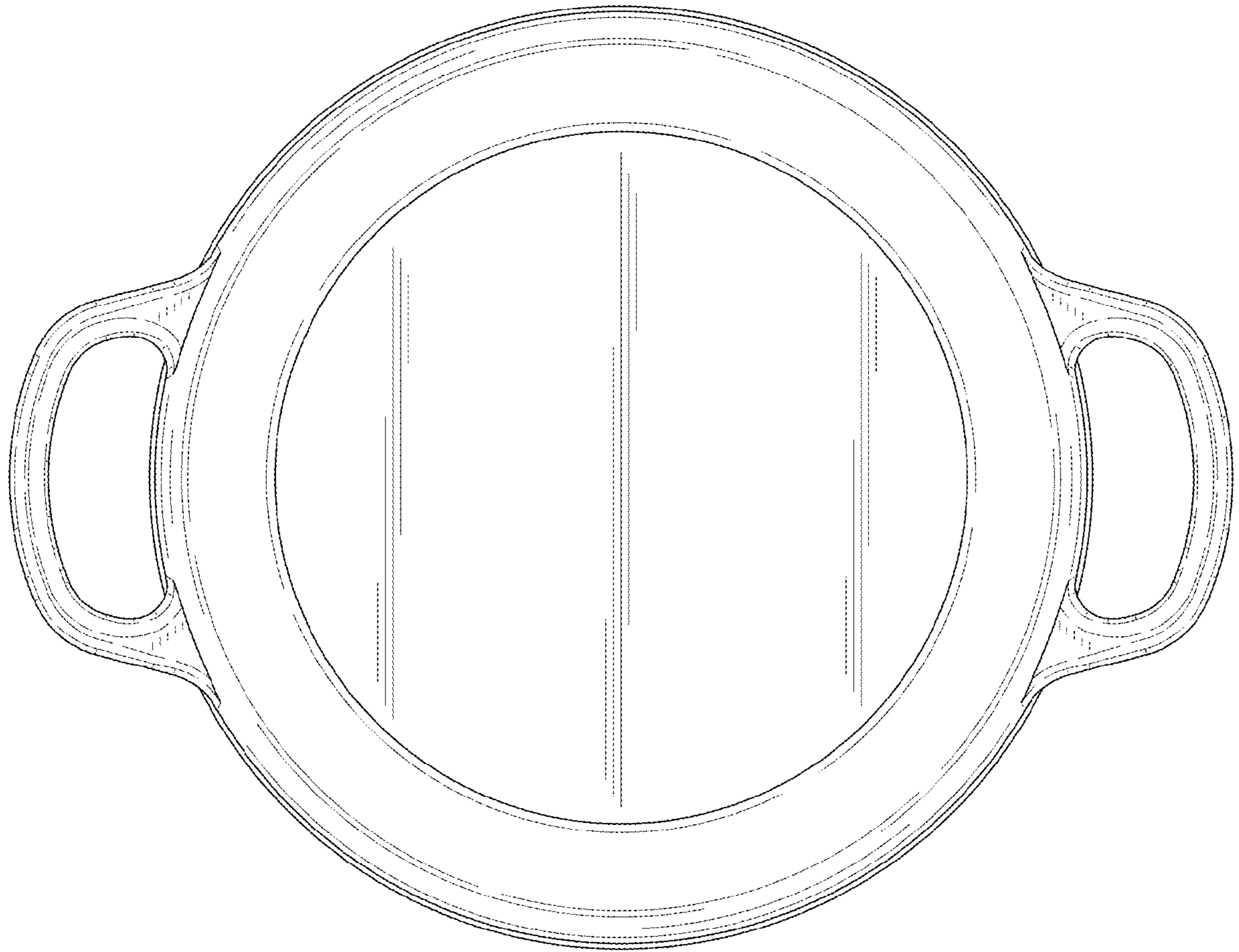


FIG. 8

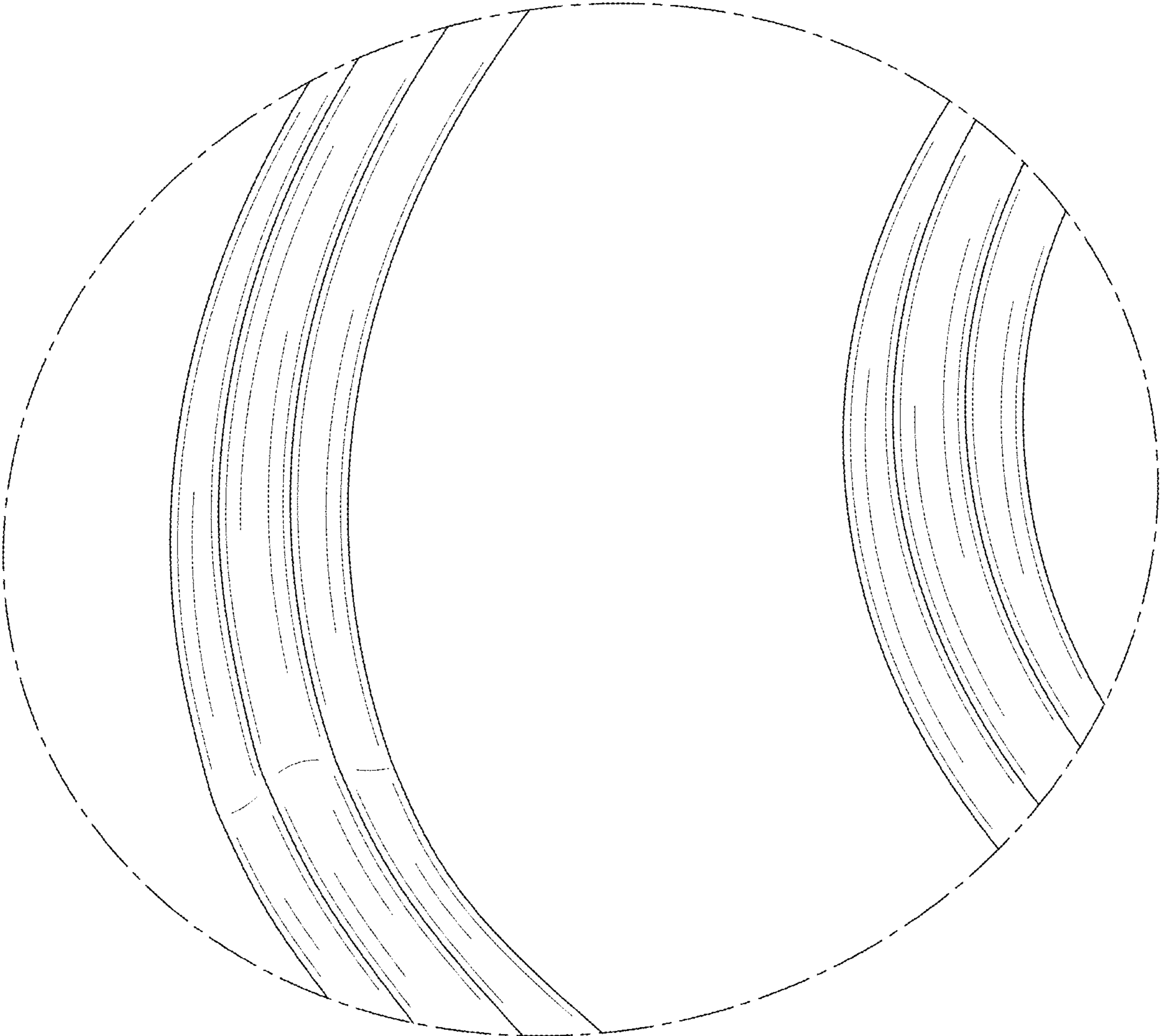


FIG. 9