



US00D961321S

(12) **United States Design Patent** (10) **Patent No.:** **US D961,321 S**
Lam (45) **Date of Patent:** **** Aug. 23, 2022**

(54) **CAMPING GRILL**
(71) Applicant: **Yeungfan Lam**, Guangdong (CN)
(72) Inventor: **Yeungfan Lam**, Guangdong (CN)
(**) Term: **15 Years**
(21) Appl. No.: **29/741,825**
(22) Filed: **Jul. 16, 2020**
(51) **LOC (13) Cl.** **07-02**
(52) **U.S. Cl.**
USPC **D7/334; D7/336**
(58) **Field of Classification Search**
USPC D7/323, 332-337, 339, 347, 353, 354,
D7/361, 362, 363, 387, 667, 669, 396.2,
D7/402-409; D3/294, 307; D23/314,
D23/332, 335, 339, 343, 345; D8/315;
D6/698, 702, 656
CPC A47J 2202/00; A47J 27/00; A47J 36/00;
A47J 36/26; A47J 37/00; A47J 37/04;
A47J 37/0623; A47J 37/0647; A47J
37/07; A47J 37/0704; F24B 1/00; F24B
3/00; F24C 1/00; F24C 15/36; F24C
3/002; A47B 2003/025; A47B 2003/0821;
A47B 2003/0824; A47B 3/02; A47B
3/08; A47B 3/087; A47B 3/091; A47B
37/04

See application file for complete search history.

(56) **References Cited**

U.S. PATENT DOCUMENTS

670,025 A * 3/1901 Karrer A47J 37/0704
99/447
1,045,296 A * 11/1912 Jeavons A47J 37/0704
99/447
D182,762 S * 5/1958 Forrest D7/336
2,844,139 A * 7/1958 Lucas A47J 33/00
126/30
D186,487 S * 10/1959 Brooks D7/336
2,974,662 A * 3/1961 Forrest A47J 37/0709
126/30

2,977,953 A * 4/1961 Miller A47J 37/0763
126/30
3,067,734 A * 12/1962 Lucas A47J 37/0763
126/30
3,162,113 A * 12/1964 Tallaksen A47J 37/0763
99/446
4,351,312 A * 9/1982 Ivy F24B 1/205
126/25 A
D279,644 S * 7/1985 Schoonmaker D7/336
(Continued)

FOREIGN PATENT DOCUMENTS

EM 001205025-0001 * 5/2010
EM 001205025-0002 * 5/2010

OTHER PUBLICATIONS

Redcamp [online] URL: <https://www.amazon.com/REDCAMP-Campfire-Carrying-Outdoor-Cooking/dp/B08F4QCC4Y> (site visited: Dec. 16, 2021) (Year: 2020).*

(Continued)

Primary Examiner — Jae Liang
Assistant Examiner — Tia Ruth-Renee Polidori

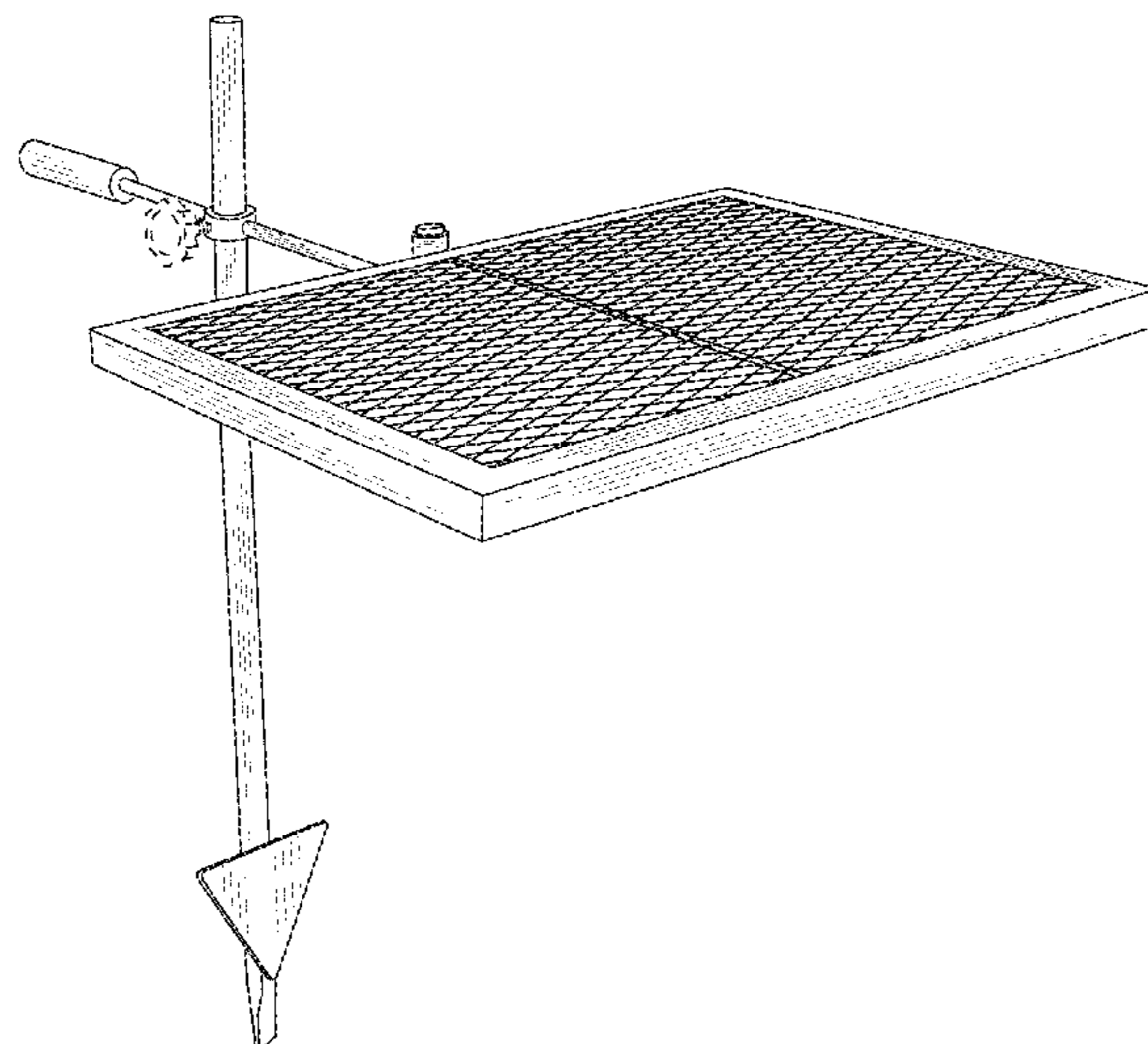
(57) **CLAIM**

The ornamental design for a camping grill, as shown and described.

DESCRIPTION

FIG. 1 is a perspective view of a camping grill showing my new design;
FIG. 2 is a front elevational view thereof;
FIG. 3 is a rear elevational view thereof;
FIG. 4 is a left side elevational view thereof;
FIG. 5 is a right side elevational view thereof;
FIG. 6 is a top plan view thereof; and,
FIG. 7 is a bottom plan view thereof.
The portions of the camping grill shown in broken line form no part of the claimed design.

1 Claim, 7 Drawing Sheets



(56)

References Cited

U.S. PATENT DOCUMENTS

4,532,912 A * 8/1985 Burnside, III F24B 1/182
126/29
4,553,525 A * 11/1985 Ruble A47J 37/0772
126/30
4,607,608 A * 8/1986 Allred A47J 33/00
126/25 A
D285,402 S * 9/1986 Hamill D7/335
4,679,543 A * 7/1987 Waltman A47J 37/06
126/25 R
4,854,297 A * 8/1989 Shuman A47J 37/0763
126/30
4,856,423 A * 8/1989 Burns A47J 33/00
99/421 H
4,896,651 A * 1/1990 Kott, Jr. F24B 1/205
126/30
4,979,490 A * 12/1990 Nudo A47J 33/00
126/25 A
5,117,806 A * 6/1992 Soat A47J 33/00
126/29
D327,602 S * 7/1992 Walker D7/335
D342,184 S * 12/1993 Sanchez D7/335
5,307,797 A * 5/1994 Kleefeld A47J 33/00
126/30
D369,939 S * 5/1996 Gibbs D7/332
D373,702 S * 9/1996 Perry 126/29
5,666,940 A * 9/1997 Kreiter A47J 33/00
126/25 A
D396,379 S * 7/1998 Stoetzl D7/332
6,006,740 A * 12/1999 Ulrickson F24B 1/205
126/25 A
6,029,646 A * 2/2000 Jackson A47J 37/0763
126/25 A
D427,007 S * 6/2000 Smitch D7/336
6,070,571 A * 6/2000 Bradbury A47J 37/0772
126/25 A
6,105,569 A * 8/2000 Andress A47J 37/0763
126/25 A
6,186,137 B1 * 2/2001 Lewis A47J 33/00
126/25 A
D457,029 S * 5/2002 Wickizer D7/332
6,386,192 B1 * 5/2002 Weber A47J 33/00
126/25 A
6,578,568 B1 * 6/2003 Dufort F24B 1/205
126/25 A
6,584,967 B1 * 7/2003 Paumen A47J 33/00
126/25 AA
6,640,797 B1 * 11/2003 Magers A47J 33/00
126/30
6,827,077 B1 * 12/2004 Haas A47J 33/00
126/25 A
7,004,160 B1 * 2/2006 Bates A47J 33/00
126/30
7,007,687 B2 * 3/2006 Lewis A47J 33/00
126/25 R
7,347,197 B2 * 3/2008 Hankinson A47J 37/0772
126/25 A

D577,946 S * 10/2008 Carroll D7/336
7,445,004 B1 * 11/2008 Milner F24B 1/205
126/215
D592,443 S * 5/2009 Fraser D7/335
7,588,027 B2 * 9/2009 McNeely A47J 37/0772
126/25 A
D603,217 S * 11/2009 Wade D7/402
D621,655 S * 8/2010 Zemel D7/409
7,802,566 B1 * 9/2010 Faught A47J 33/00
126/30
D658,941 S * 5/2012 Trussell D7/409
8,272,601 B2 * 9/2012 Kocher A47J 33/00
248/121
D718,081 S * 11/2014 Rinderle D7/332
D734,975 S * 7/2015 Troyer, Jr. D7/332
D812,957 S * 3/2018 McGuinness D7/334
10,598,383 B1 * 3/2020 Schoettle A47J 37/0786
10,722,073 B2 * 7/2020 Rynearson A47J 37/0786
10,982,404 B1 * 4/2021 Jones E04H 12/2215
11,045,050 B2 * 6/2021 Criner A47J 37/0786
D926,301 S * 7/2021 Stoltzfus D23/347
D928,560 S * 8/2021 McEwan D7/409
11,083,333 B2 * 8/2021 Pribyl A47J 37/043
11,246,407 B2 * 2/2022 Schneider A47B 3/06
2004/0144379 A1 * 7/2004 Lewis A47J 33/00
126/30
2006/0060182 A1 * 3/2006 Gurney F24B 1/205
126/29
2007/0023028 A1 * 2/2007 Mortensen F24C 1/16
126/30
2007/0089729 A1 * 4/2007 Moses, Jr. A47J 33/00
126/30
2007/0289587 A1 * 12/2007 Eckes F24B 1/205
126/30
2009/0211563 A1 * 8/2009 Blackshear A47J 33/00
126/30
2010/0319674 A1 * 12/2010 Schneidewend A47J 33/00
126/30
2012/0312297 A1 * 12/2012 Walker A47J 37/0763
126/9 B
2015/0201804 A1 * 7/2015 Liao A47J 37/0763
99/445
2016/0029841 A1 * 2/2016 Walker F24B 1/205
99/445
2016/0045065 A1 * 2/2016 Pribyl A47J 37/04
426/523
2018/0116455 A1 * 5/2018 Herr A47J 33/00
2019/0246787 A1 * 8/2019 Flores A45F 3/44
2020/0077840 A1 * 3/2020 White F24B 1/205

OTHER PUBLICATIONS

Field and Stream [online] URL: <https://www.walmart.com/ip/Field-Stream-Swivel-Camp-Grill/774080493> (site visited: Dec. 16, 2021) (Year: 2021).*
Stromberg Carlson [online] URL: <https://www.newegg.com/stromberg-carlson-scpgr1522/p/OH3-00JW-00012> (site visited: Dec. 16, 2021) (Year: 2021).*

* cited by examiner

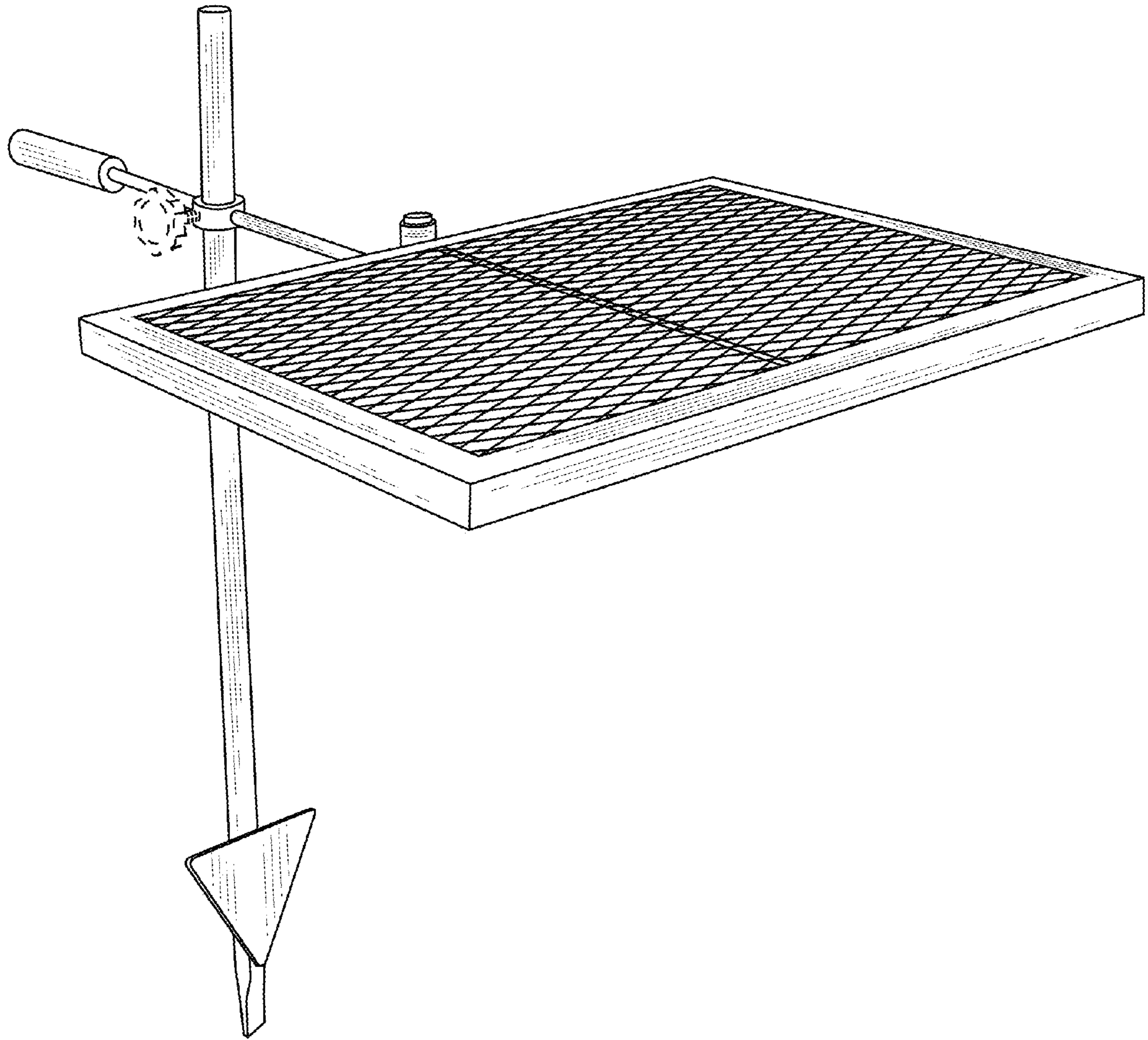


FIG. 1

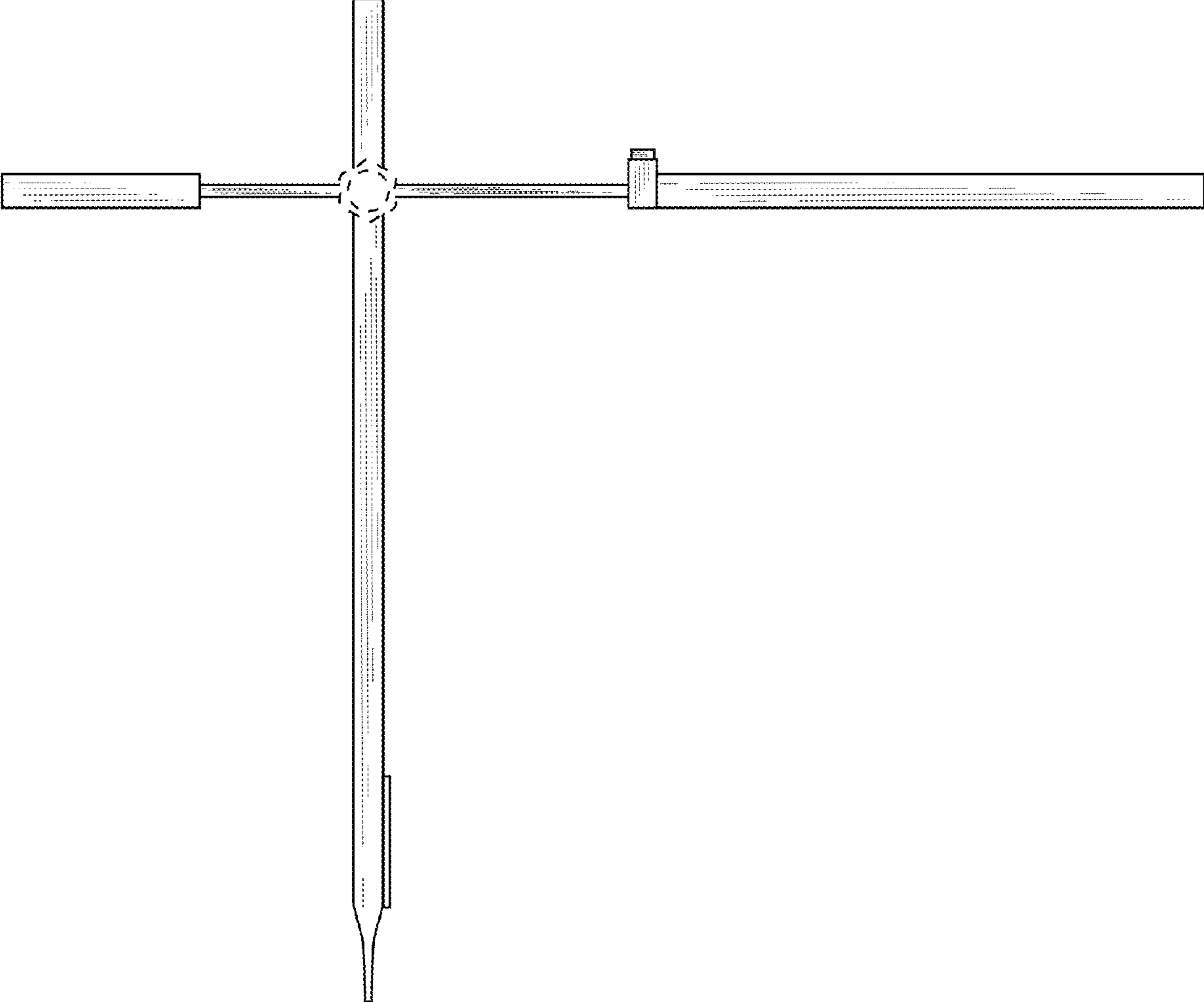


FIG. 2

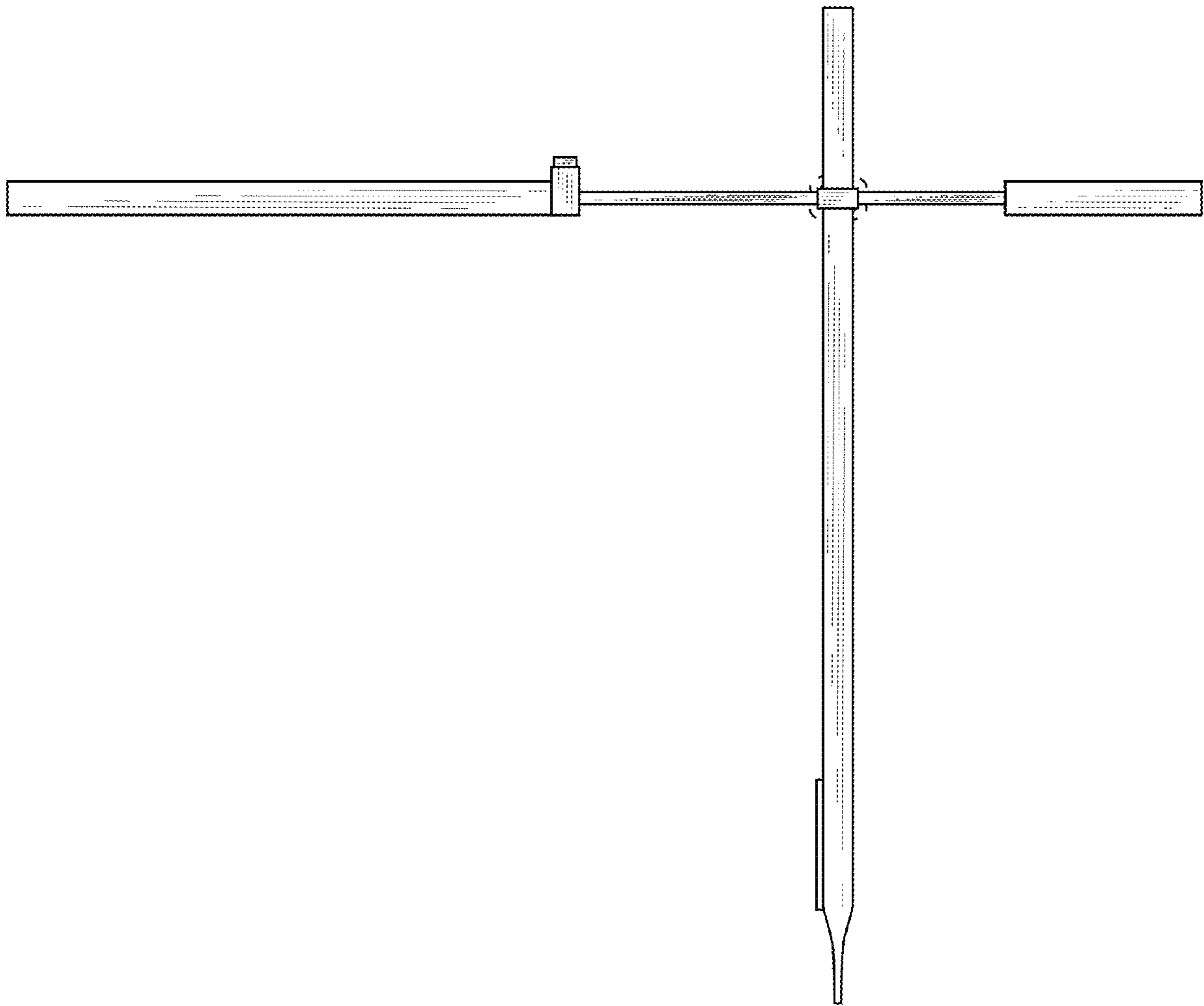


FIG. 3

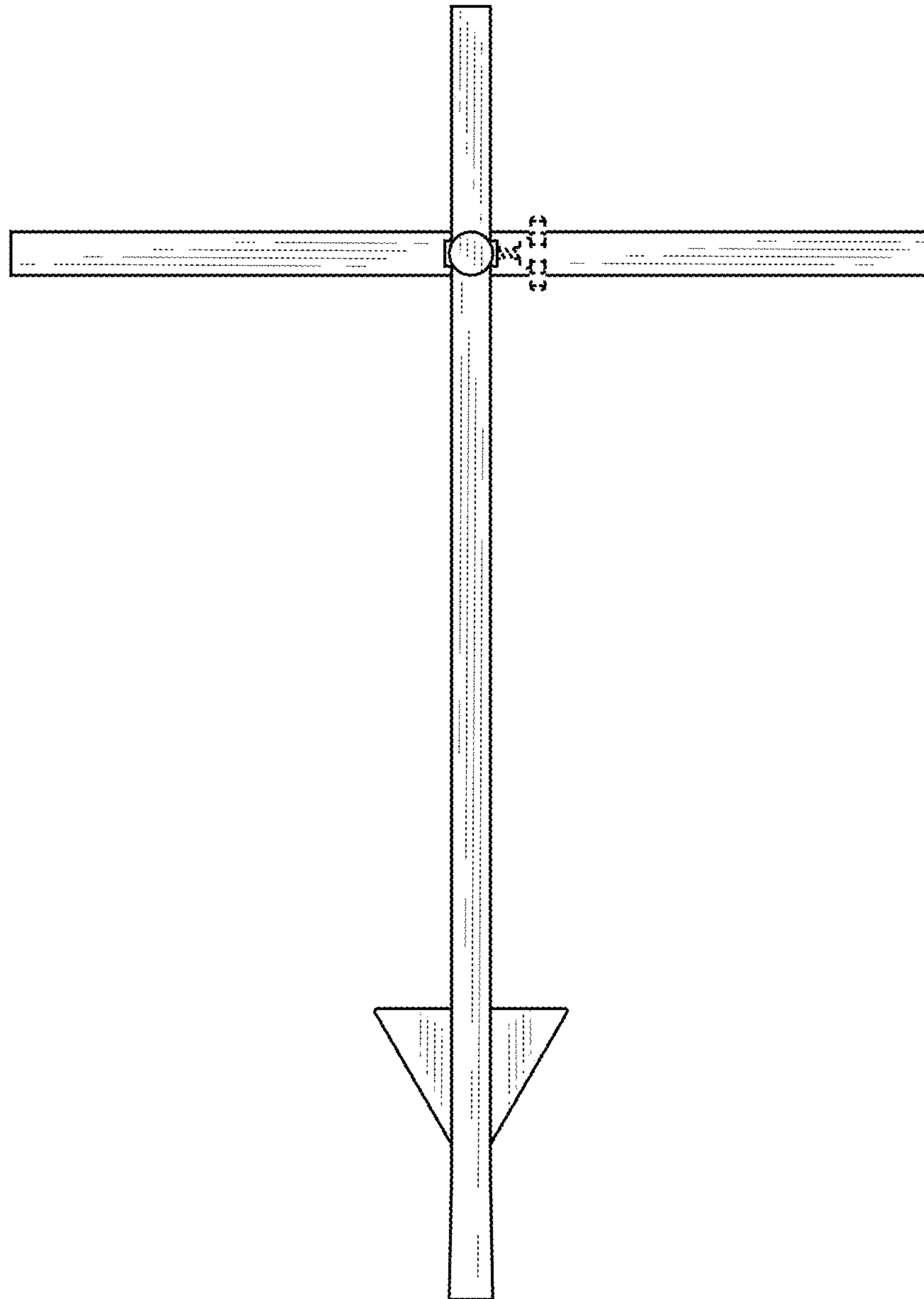


FIG. 4

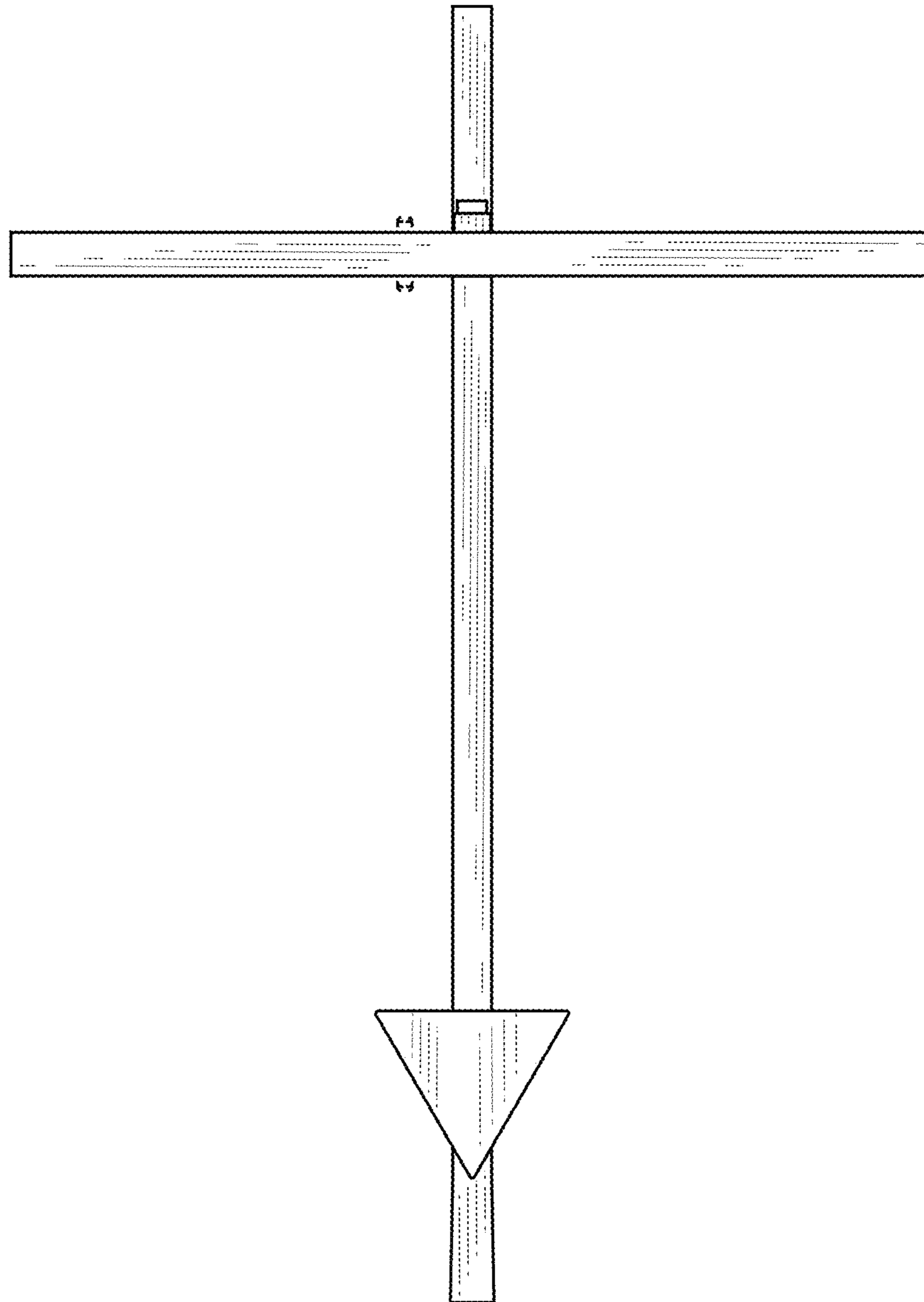


FIG. 5

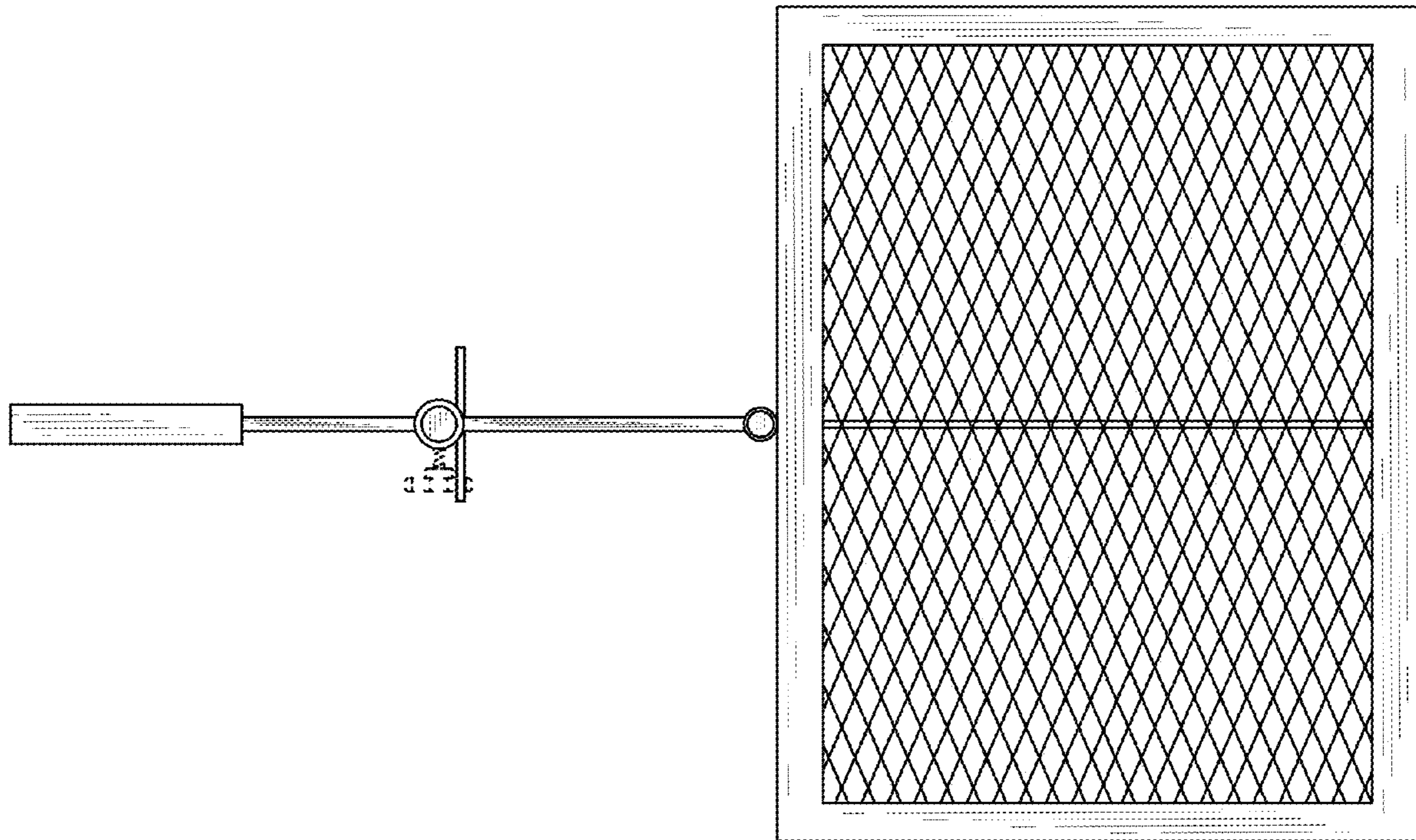


FIG. 6

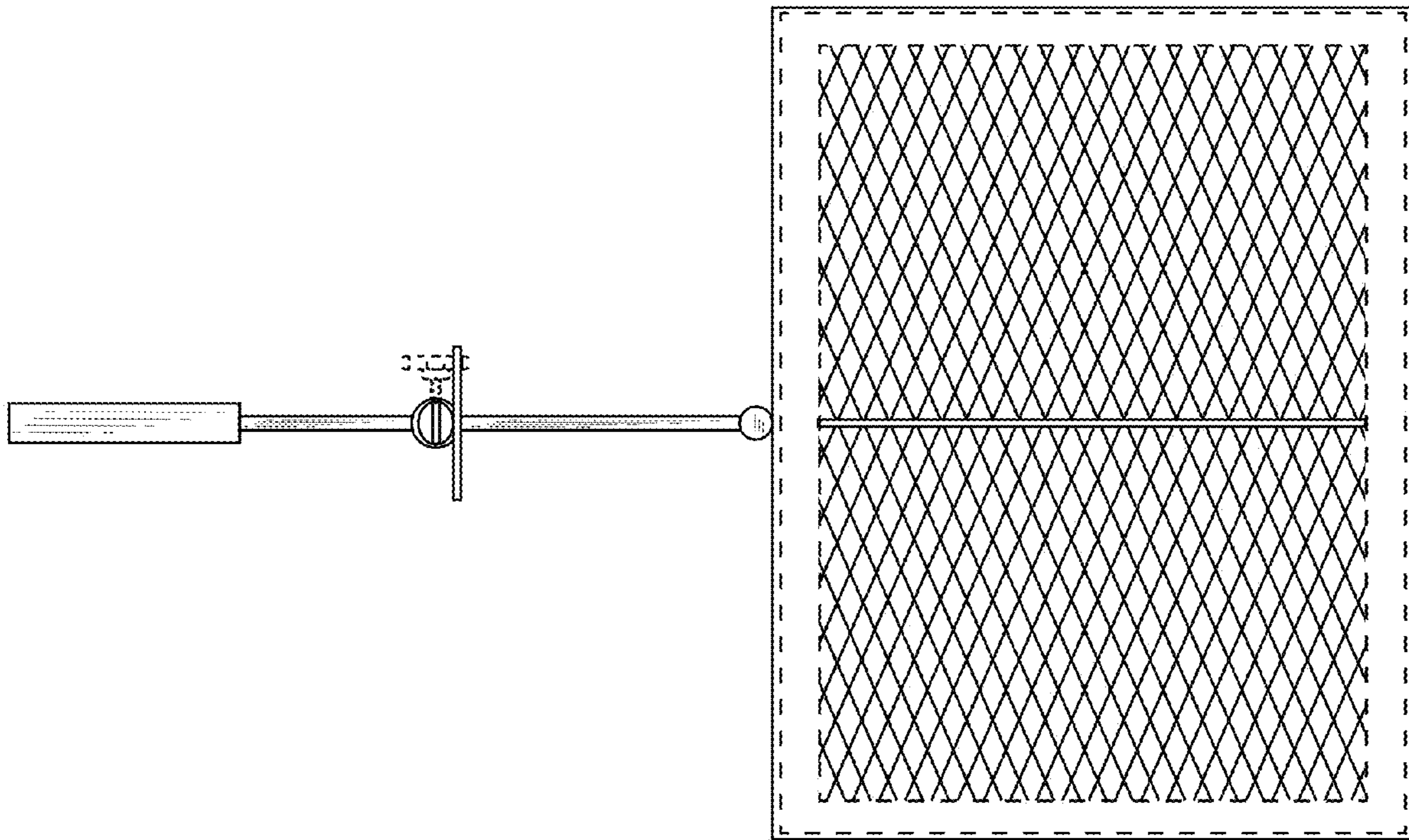


FIG. 7