



US00D961320S

(12) **United States Design Patent**  
**Barber**

(10) **Patent No.:** **US D961,320 S**  
(45) **Date of Patent:** **\*\* Aug. 23, 2022**

(54) **PITCHER**

(71) Applicant: **BRADSHAW HOME**, Rancho Cucamonga, CA (US)

(72) Inventor: **Tom Barber**, Manhattan Beach, CA (US)

(73) Assignee: **BRADSHAW HOME**, Rancho Cucamonga, CA (US)

(\*\*) Term: **15 Years**

(21) Appl. No.: **29/726,321**

(22) Filed: **Mar. 2, 2020**

(51) **LOC (13) Cl.** ..... **07-01**

(52) **U.S. Cl.**  
USPC ..... **D7/319**

(58) **Field of Classification Search**  
USPC ..... D7/300-303, 305, 312-315, 317-321, D7/378, 413, 509-511, 529, 536, 598, D7/600, 603; D9/430, 516, 523, 524, D9/527, 528, 547, 552, 554, 556, 569; D23/209; D10/46.2  
CPC ..... A47G 19/12; A47G 19/14; A47G 19/145; A47G 2019/122; A47J 31/40; A47J 31/41; A47J 31/605; A47J 41/00; A47J 41/0005; A47J 41/0016; A47J 41/026; A47J 41/0088; A47J 27/21183; A47J 45/078; B01D 35/02; B01D 35/06; C02F 1/045; C02F 2307/04  
See application file for complete search history.

(56) **References Cited**

**U.S. PATENT DOCUMENTS**

D115,965 S \* 8/1939 Hook ..... D7/413  
D160,080 S \* 9/1950 Fleming ..... D7/317  
2,690,853 A \* 10/1954 Kircher ..... A47G 19/127  
220/592.16  
D180,049 S \* 4/1957 Tupper ..... C02F 1/003  
D7/321

(Continued)

**FOREIGN PATENT DOCUMENTS**

CA 54222 \* 3/1985  
CN 302779516 \* 4/2014

(Continued)

**OTHER PUBLICATIONS**

Deepblue4you, "Transparent blue Measuring Beaker isolated stock photo," Feb. 13, 2014, iStock, www.istockphoto.com/photo/transparent-blue-measuring-beaker-isolated-gm469891129-34970504 (Year: 2014).\*

(Continued)

*Primary Examiner* — Shannon W Morgan

*Assistant Examiner* — Arva P Adams

(74) *Attorney, Agent, or Firm* — Birch, Stewart, Kolasch & Birch, LLP

(57) **CLAIM**

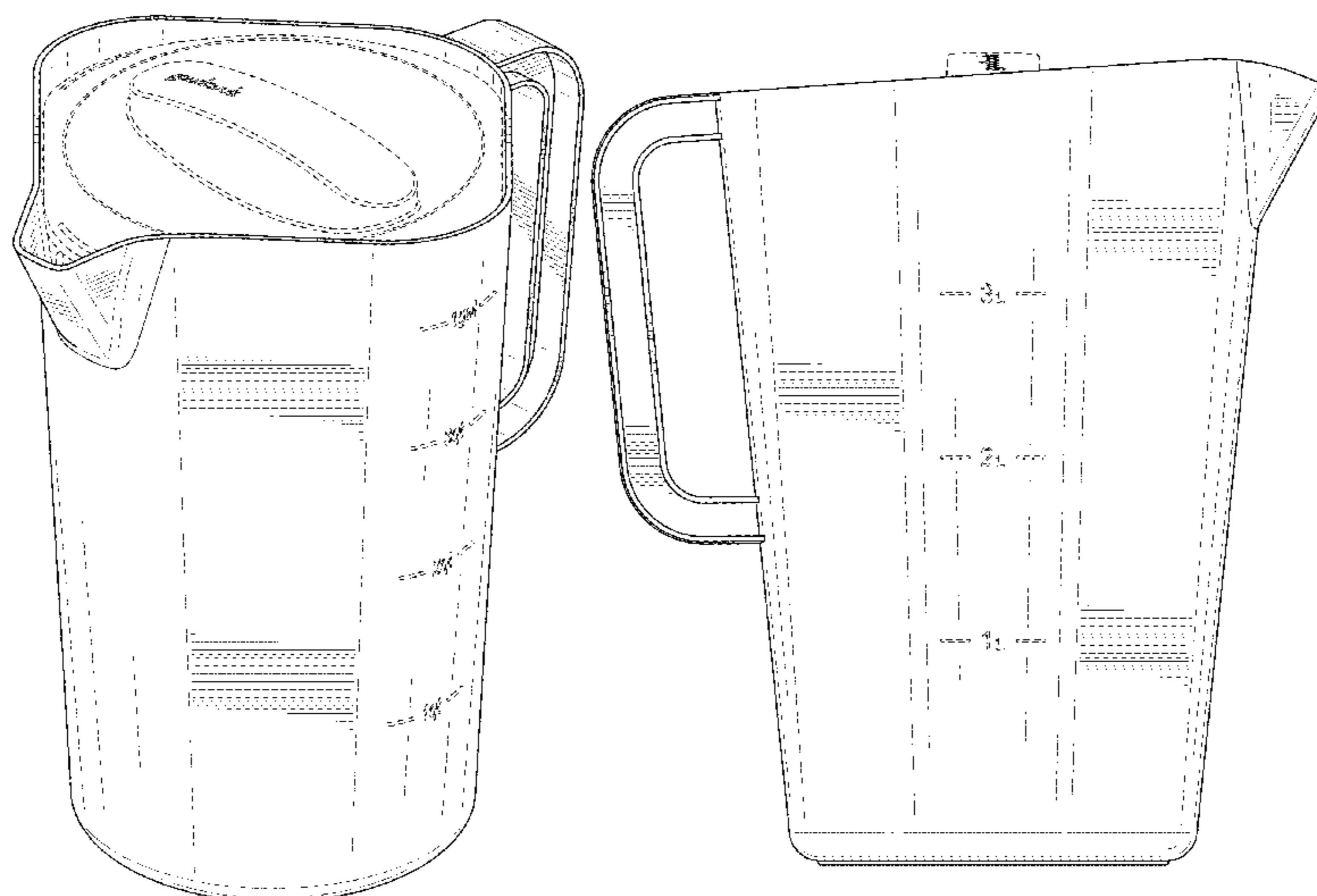
The ornamental design for a pitcher, as shown and described.

**DESCRIPTION**

FIG. 1 is a front, right perspective view of the pitcher showing my new design;  
FIG. 2 is a front view thereof;  
FIG. 3 is a rear view thereof;  
FIG. 4 is a left side view thereof;  
FIG. 5 is a right side view thereof;  
FIG. 6 is a top plan view thereof; and,  
FIG. 7 is a bottom plan view thereof.

The broken line showing on the pitcher in the figures is for the purpose of illustrating portions of the pitcher that form no part of the claimed design; the broken line showing of the lid in the figures is for the purpose of illustrating environment that forms no part of the claimed design; and the dash-dot-dash line defines a boundary of the claimed design and forms no part thereof.

**1 Claim, 7 Drawing Sheets**



(56)

References Cited

U.S. PATENT DOCUMENTS

D220,773 S \* 5/1971 Dilyard ..... D7/317  
3,844,450 A \* 10/1974 Johnson ..... A47J 41/0016  
222/183  
D270,602 S \* 9/1983 Fritz ..... D10/46.2  
D287,325 S \* 12/1986 Schmidt ..... D10/46.2  
4,653,671 A \* 3/1987 Duffy ..... A47G 23/0258  
215/322  
D304,799 S \* 11/1989 Freese ..... D7/319  
D331,446 S \* 12/1992 Gidman ..... D23/209  
D356,004 S \* 3/1995 VanValkenburg ..... D7/316  
D367,201 S \* 2/1996 Joergensen ..... D7/305  
D367,580 S \* 3/1996 Joergensen ..... D7/317  
5,799,501 A \* 9/1998 Leonard ..... A47G 19/127  
62/457.3  
D400,392 S \* 11/1998 Robertson ..... A47G 23/0258  
D7/319  
D445,293 S \* 7/2001 Lillelund ..... D7/317  
6,295,831 B1 \* 10/2001 Watson ..... A47G 19/127  
220/592.16  
D459,941 S \* 7/2002 Miller ..... C02F 1/003  
D7/392  
D602,731 S \* 10/2009 Mankowitz ..... A47G 19/127  
D7/316  
D613,989 S \* 4/2010 Smith ..... A47G 19/127  
D7/319  
D625,947 S \* 10/2010 Olson ..... D7/319  
D683,176 S \* 5/2013 Kuzmin ..... D7/319

D684,818 S \* 6/2013 Lee ..... D7/413  
D720,174 S \* 12/2014 Melzer ..... D7/319  
D731,329 S \* 6/2015 Joseph ..... D10/46.2

FOREIGN PATENT DOCUMENTS

CN 304274315 \* 9/2017  
CN 304991545 \* 1/2019  
CN 305243416 \* 7/2019  
WO WO-D097677-005 \* 9/2017

OTHER PUBLICATIONS

Bizoo\_n, "Recipients in chemistry lab stock photo," Apr. 2, 2016, iStock, [www.istockphoto.com/photo/recipients-in-chemistry-lab-gm517302814-89422991](http://www.istockphoto.com/photo/recipients-in-chemistry-lab-gm517302814-89422991) (Year: 2016).  
Martinsburg Flea, "Vintage 1 Cup Anchor Hocking Measuring Cup," Sep. 25, 2018, Martinsburg Flea, <https://martinsburgflea.hibid.com/lot/83580-144545-6023/vintage-1-cup-anchor-hocking-measuring-cup/> (Year: 2018).  
Dkctrading, "DKC Square Measuring cup," Reviewed Aug. 14, 2019, Shopee, [https://shopee.ph/DKC-Square-Measuring-cup-\(White\)-i.73414401.2137046477](https://shopee.ph/DKC-Square-Measuring-cup-(White)-i.73414401.2137046477) (Year: 2019).  
Amazon.com, "Good Cook 1 Gallon Plastic Straining Pitcher," Aug. 21, 2019, Amazon.com, [www.amazon.com/Good-Cook-10658-straining-Dishwasher/dp/B07WSXVGYT](http://www.amazon.com/Good-Cook-10658-straining-Dishwasher/dp/B07WSXVGYT) (Year: 2019).  
Amazon.com, "GoodCook 1-Gallon Plastic Airtight Pitcher with Vacuum Seal Lid," Jul. 5, 2019, Amazon.com, [www.amazon.com/GoodCook-Gallon-Plastic-Pitcher-Suction/dp/B07TT89VVVB](http://www.amazon.com/GoodCook-Gallon-Plastic-Pitcher-Suction/dp/B07TT89VVVB) (Year: 2019).

\* cited by examiner

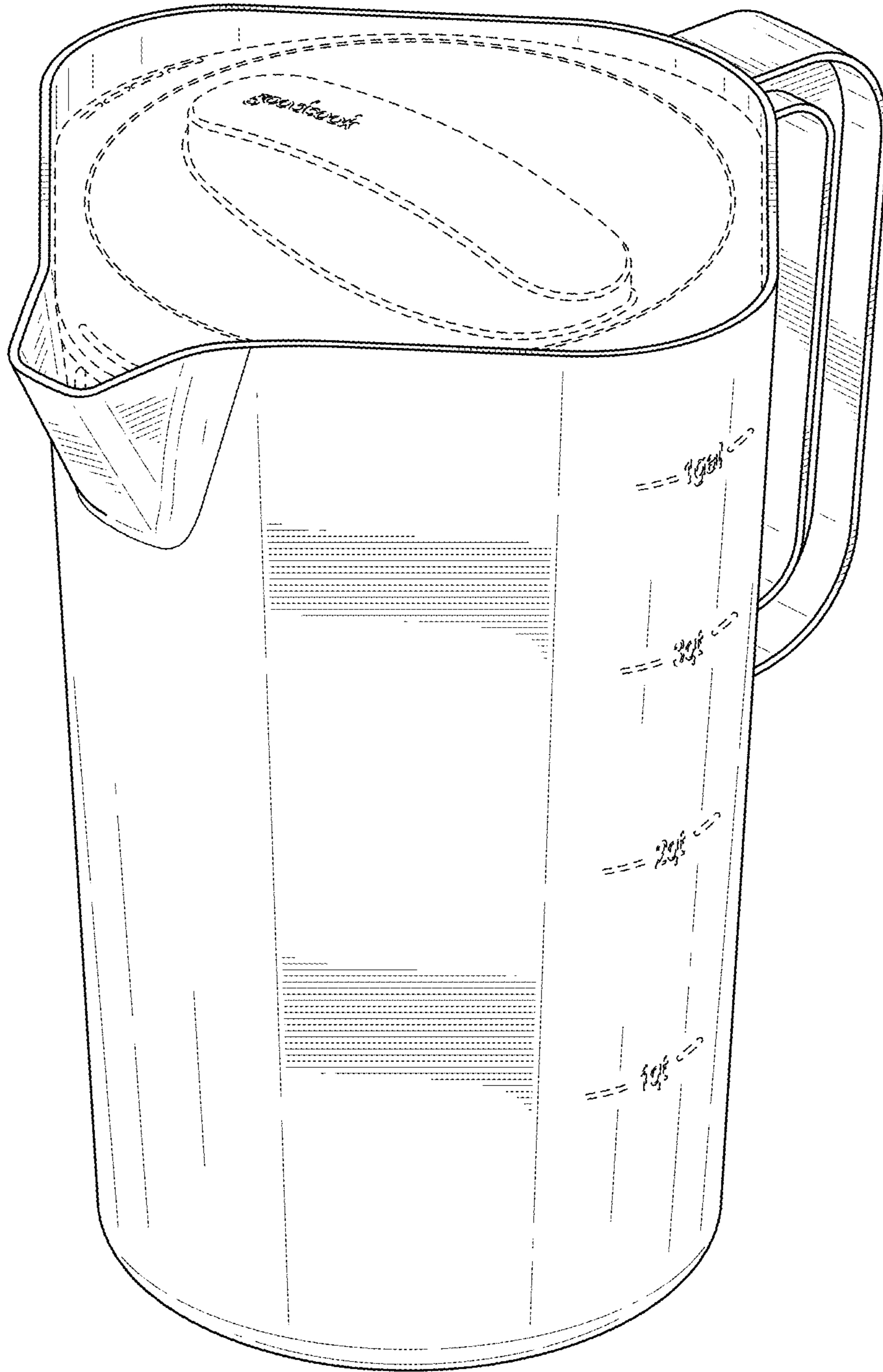


FIG. 1

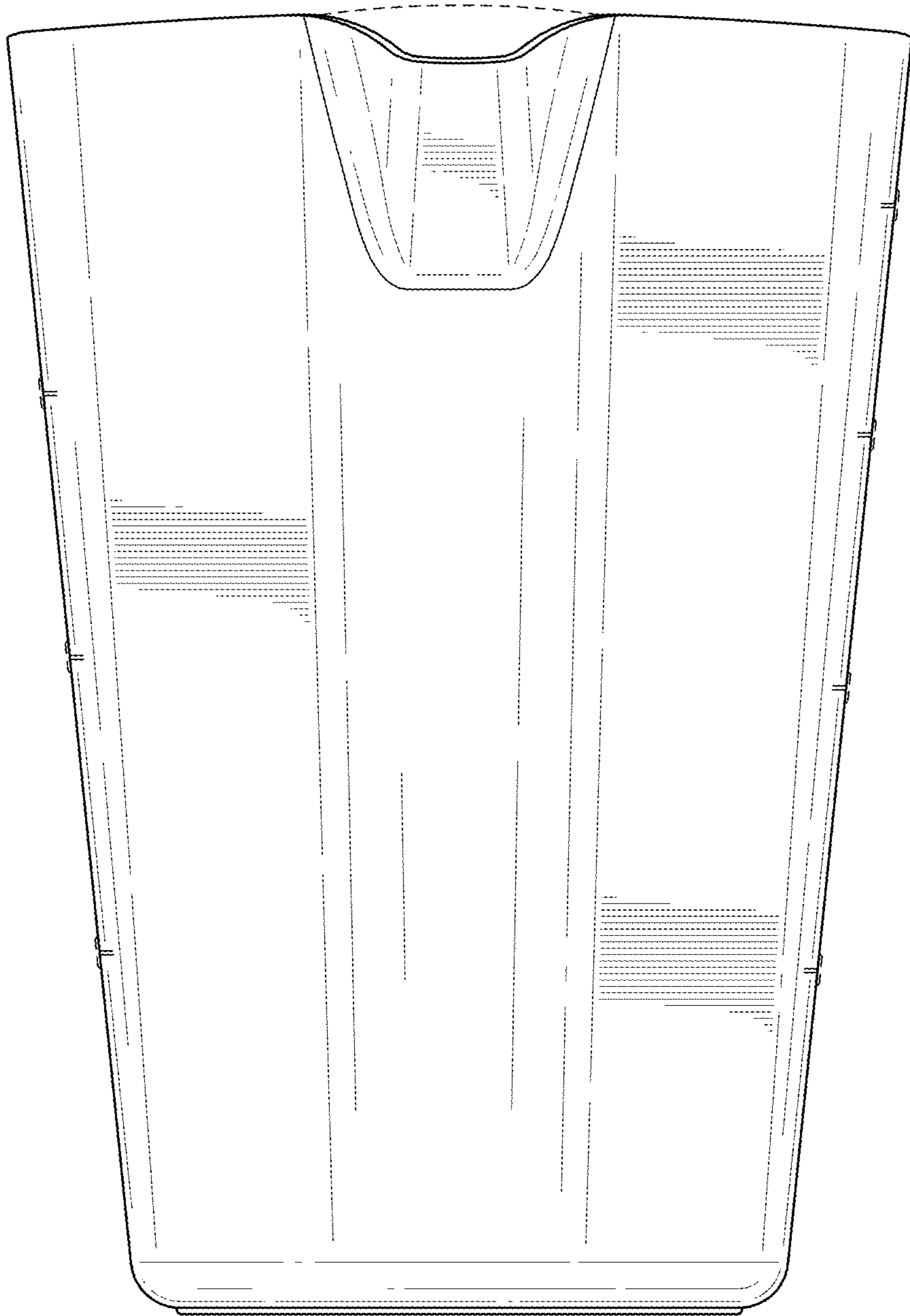


FIG.2

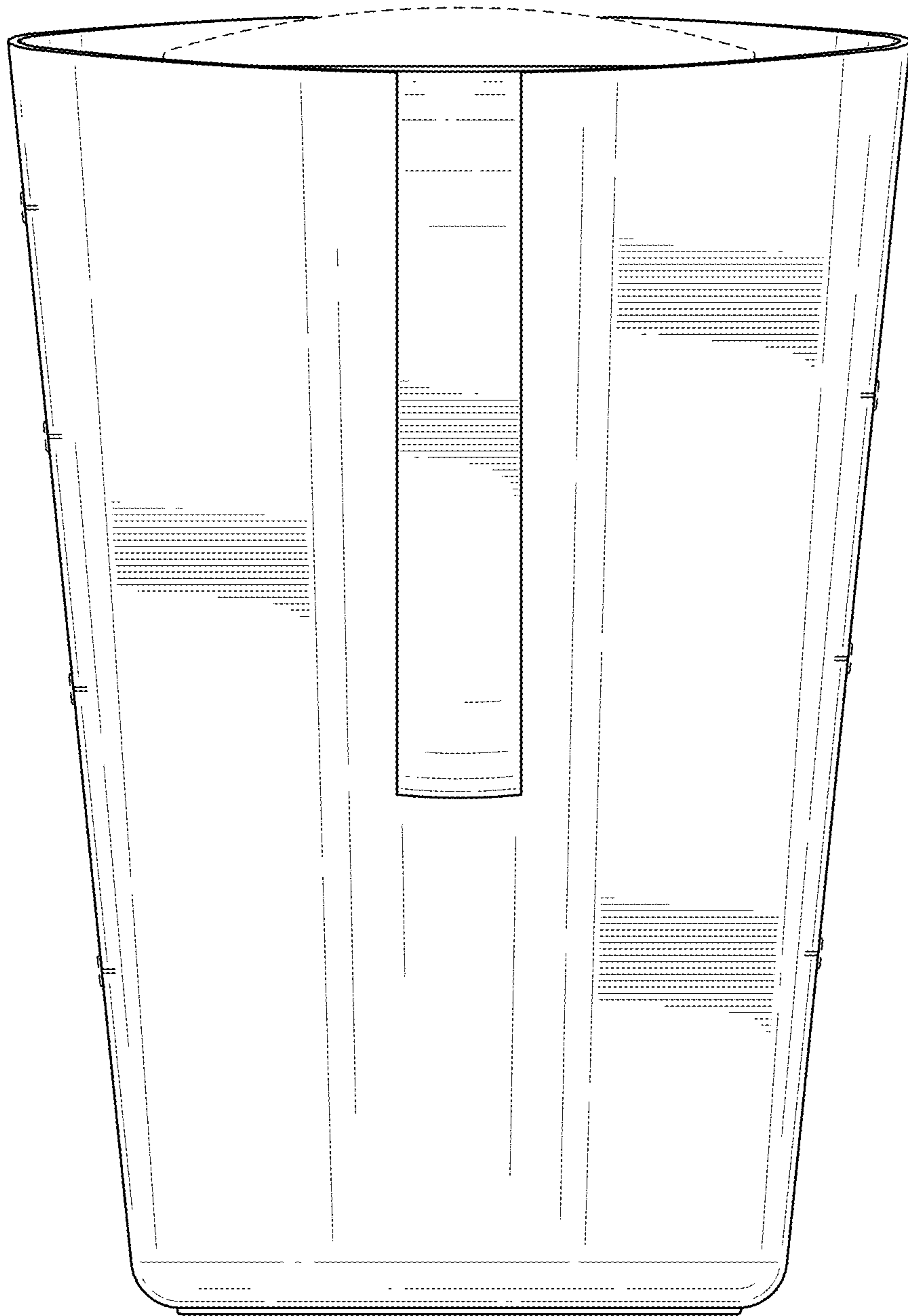


FIG.3

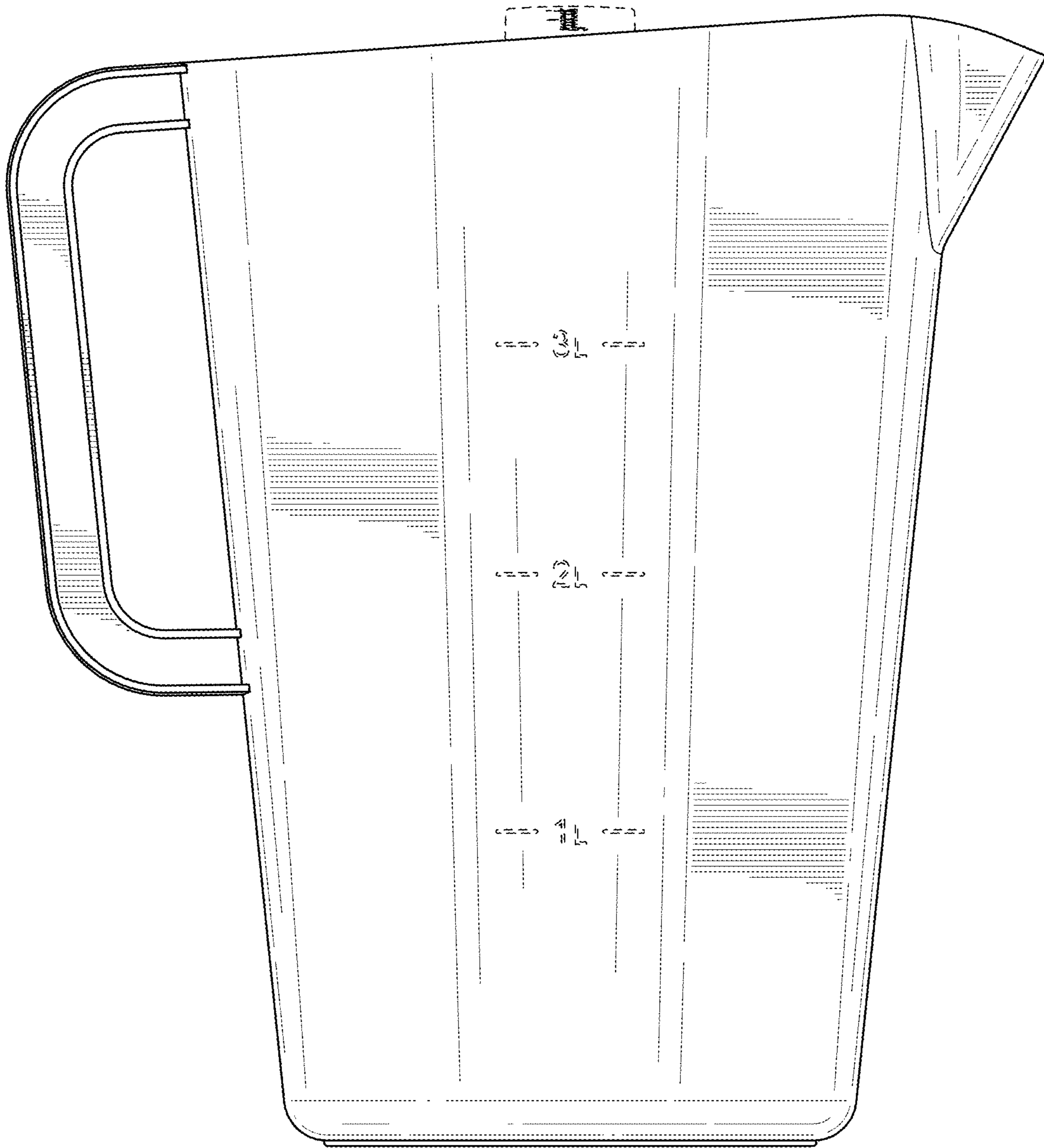


FIG. 4

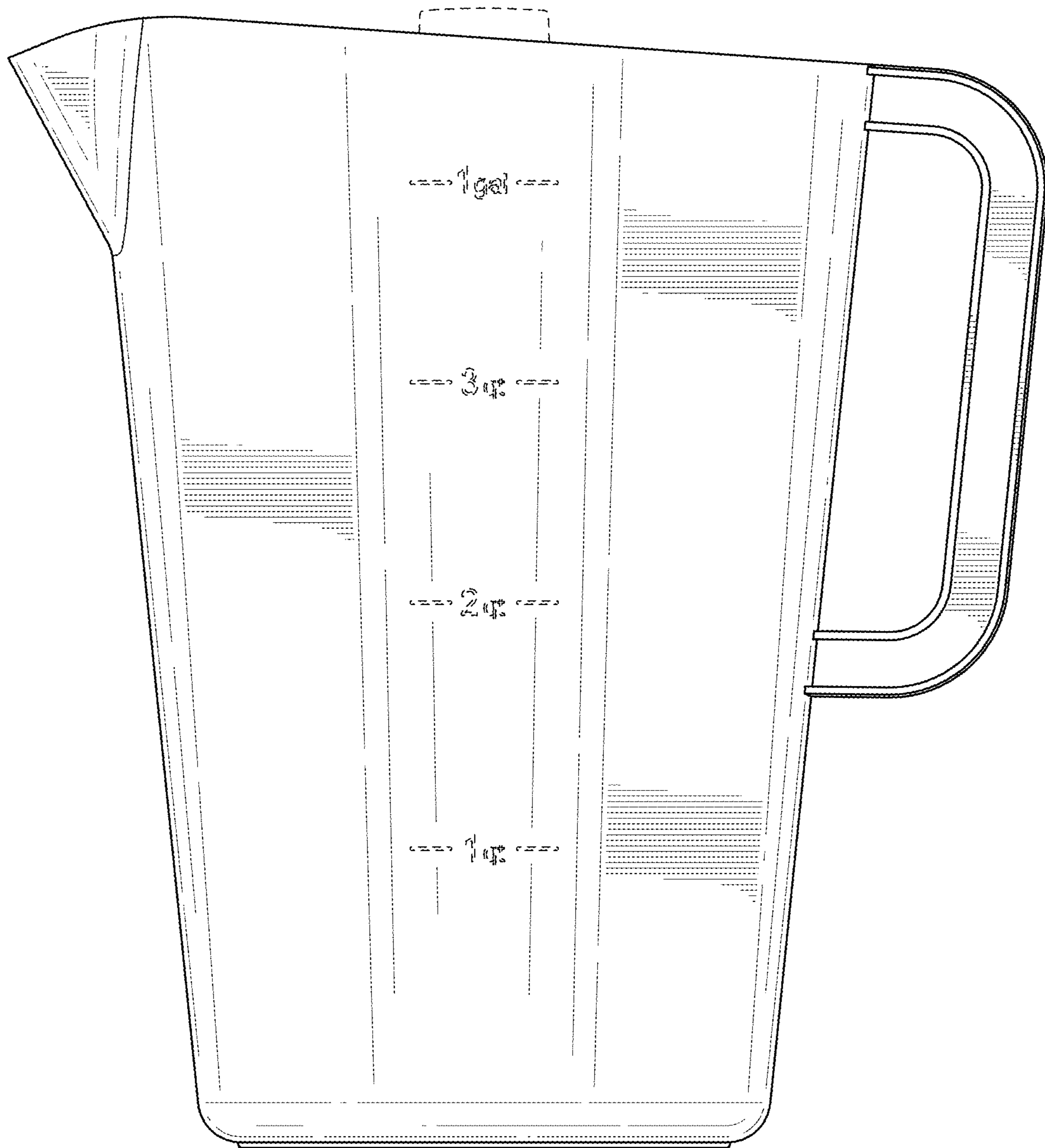


FIG.5

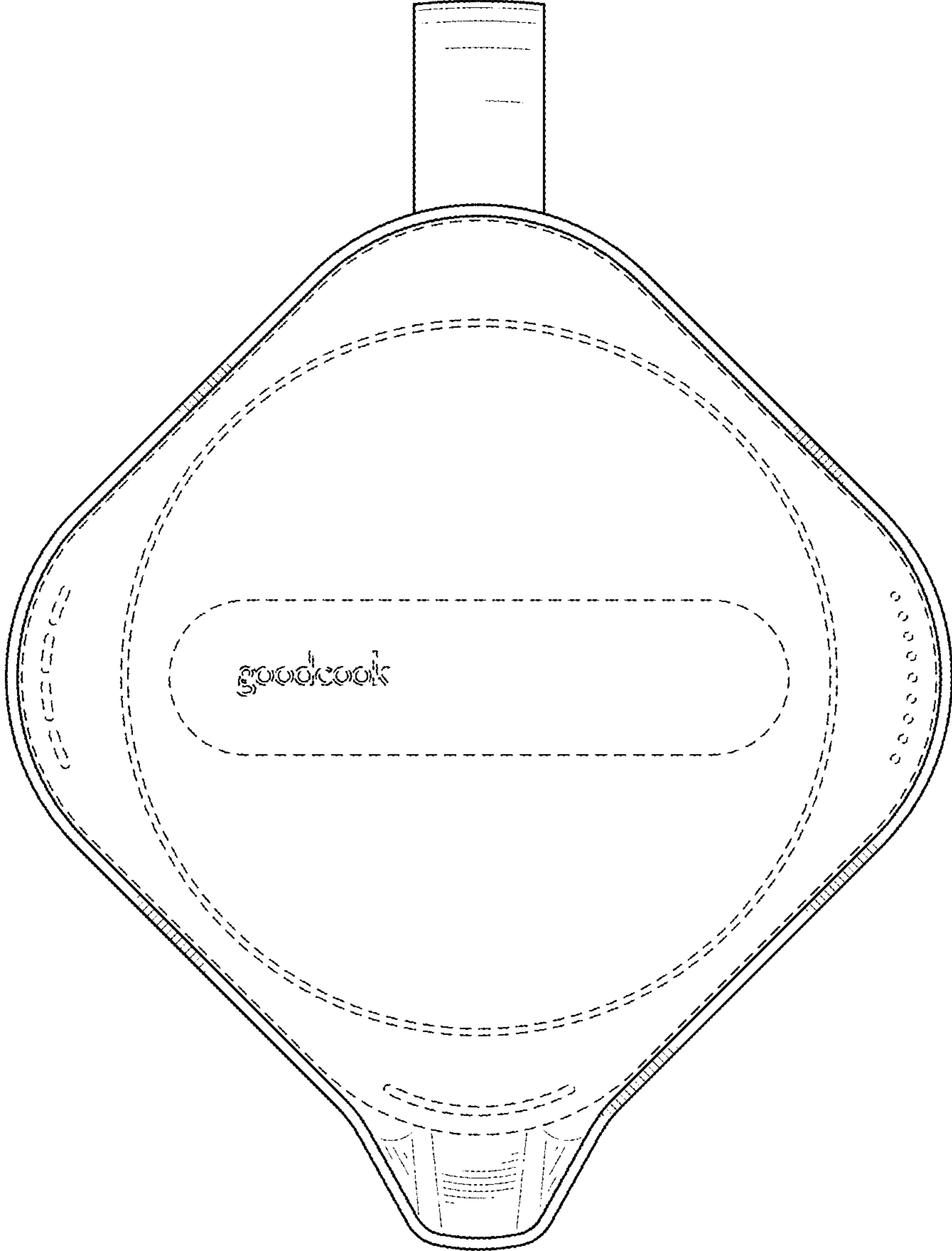


FIG.6



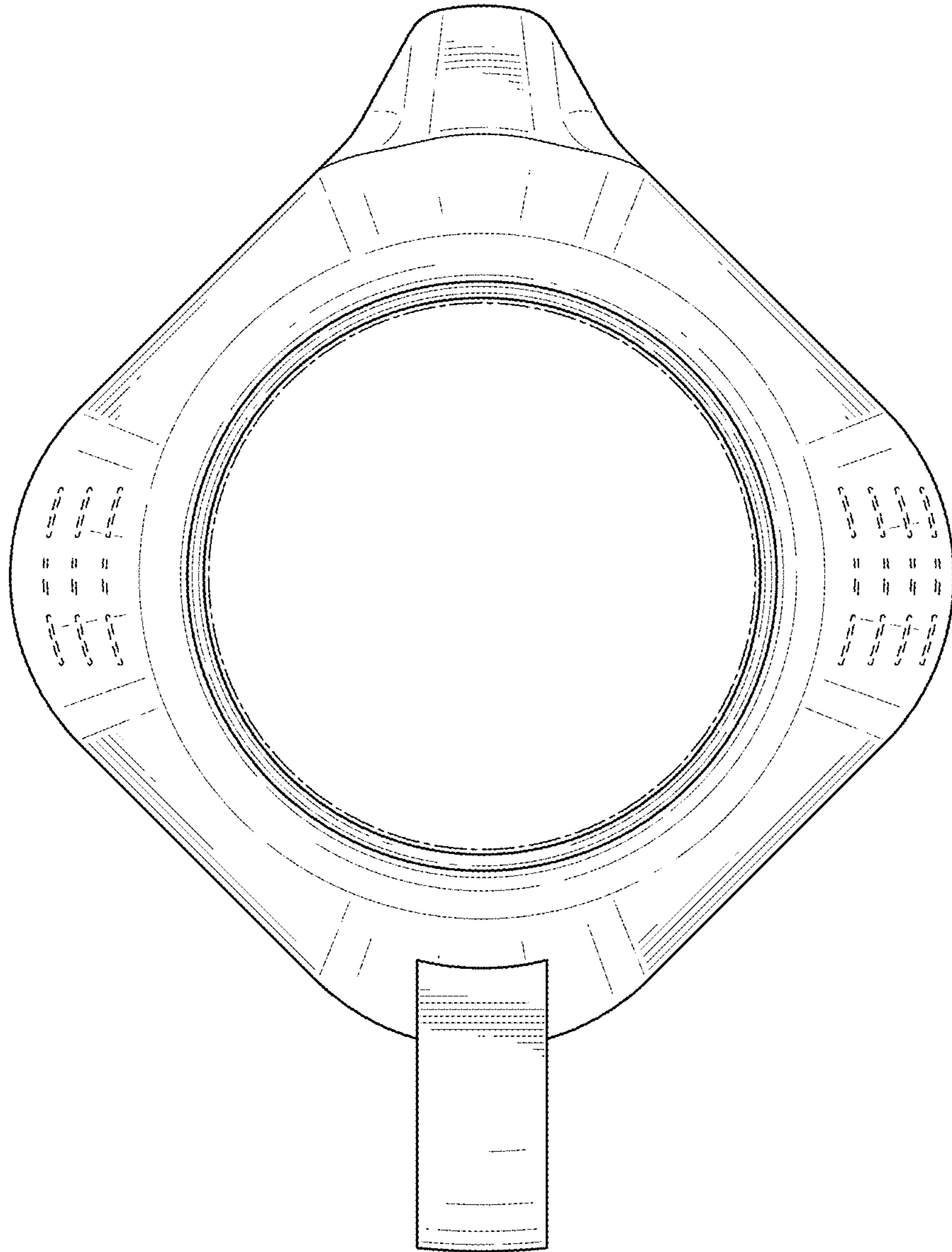


FIG.7