



US00D961319S

(12) **United States Design Patent**
Keeley et al.

(10) **Patent No.:** **US D961,319 S**
(45) **Date of Patent:** **** Aug. 23, 2022**

(54) **CARAFE**
(71) Applicants: **William Scott Keeley**, Charlestown, RI
(US); **Sam Hagger**, London (GB)
(72) Inventors: **William Scott Keeley**, Charlestown, RI
(US); **Sam Hagger**, London (GB)

D887,764 S * 6/2020 Henkel D7/316
D887,765 S * 6/2020 Henkel D7/316
D896,123 S * 9/2020 Fernandez D11/152
D899,173 S * 10/2020 Burns D7/316
2011/0198352 A1* 8/2011 Lown B65D 47/32
220/254.8
2015/0374151 A1* 12/2015 Lin A47G 19/12
222/545

(**) Term: **15 Years**

* cited by examiner

(21) Appl. No.: **29/652,681**

Primary Examiner — Andrew Kerr

(22) Filed: **Oct. 26, 2020**

(51) **LOC (13) Cl.** **07-01**

(57) **CLAIM**

The ornamental design for a carafe, as shown and described.

(52) **U.S. Cl.**

USPC **D7/316**

(58) **Field of Classification Search**

DESCRIPTION

USPC D7/509, 523, 300, 312, 316, 590, 598;
D11/143; D9/544, 545; D6/403, 556;
D34/2

CPC A47G 19/22; A47G 19/2205; A47G 19/14;
A01G 5/045; A01G 9/02; A01G 9/021

See application file for complete search history.

FIG. 1 is a front, right perspective view of a carafe, showing our new design;

FIG. 2 is a rear, bottom perspective, view thereof;

FIG. 3 is a front view thereof;

FIG. 4 is a right side view, the left side view a mirror image thereof;

FIG. 5 is a rear view thereof;

FIG. 6 is a top view thereof; and,

FIG. 7 is a bottom view thereof.

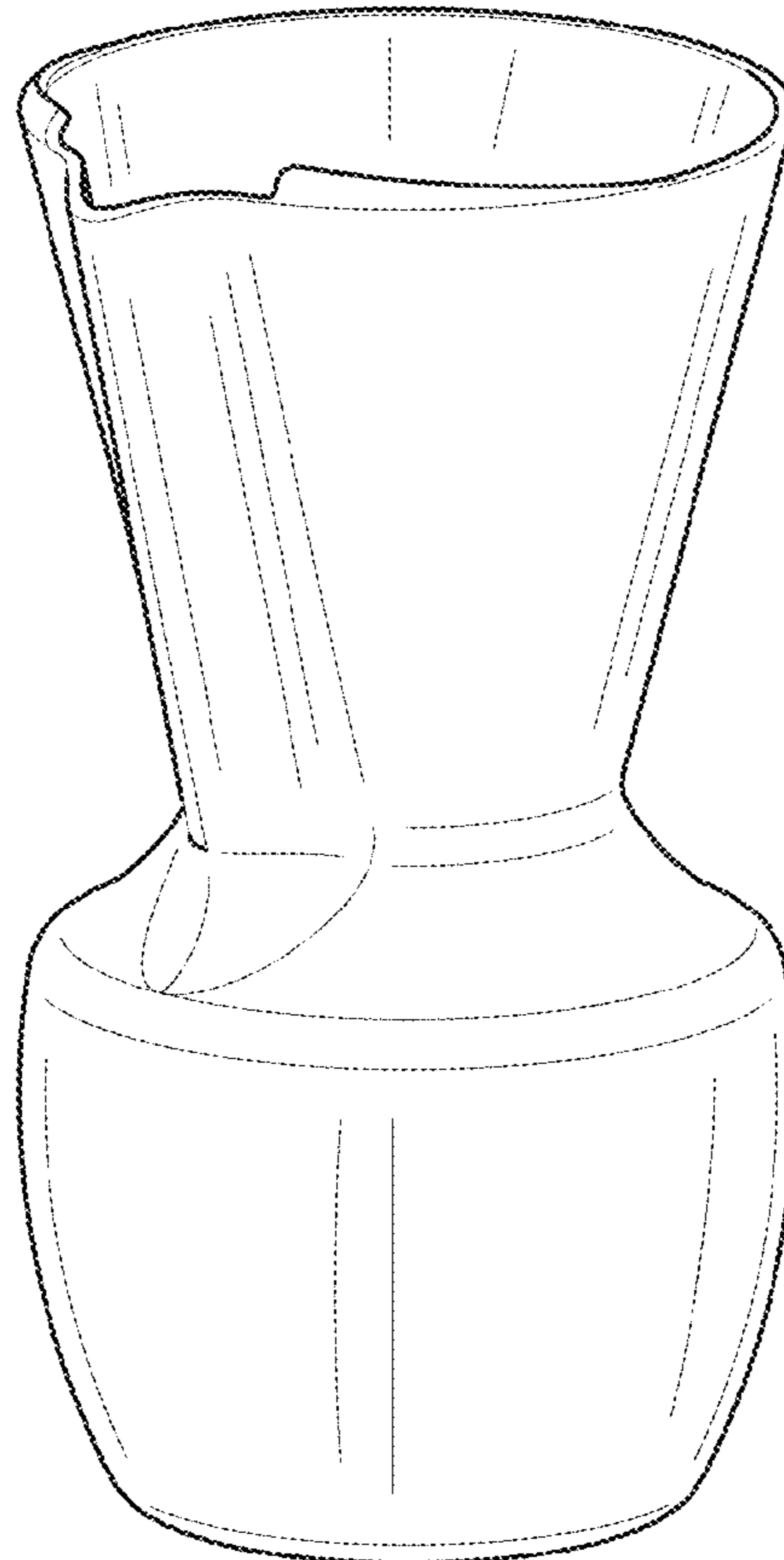
The broken lines in the drawings depict portions of the carafe that form no part of the claimed design.

(56) **References Cited**

U.S. PATENT DOCUMENTS

D710,743 S * 8/2014 Bartter D11/146
D751,331 S * 3/2016 Rashid D7/316
D817,089 S * 5/2018 Gross D7/397
D834,886 S * 12/2018 Gross D7/400

1 Claim, 6 Drawing Sheets



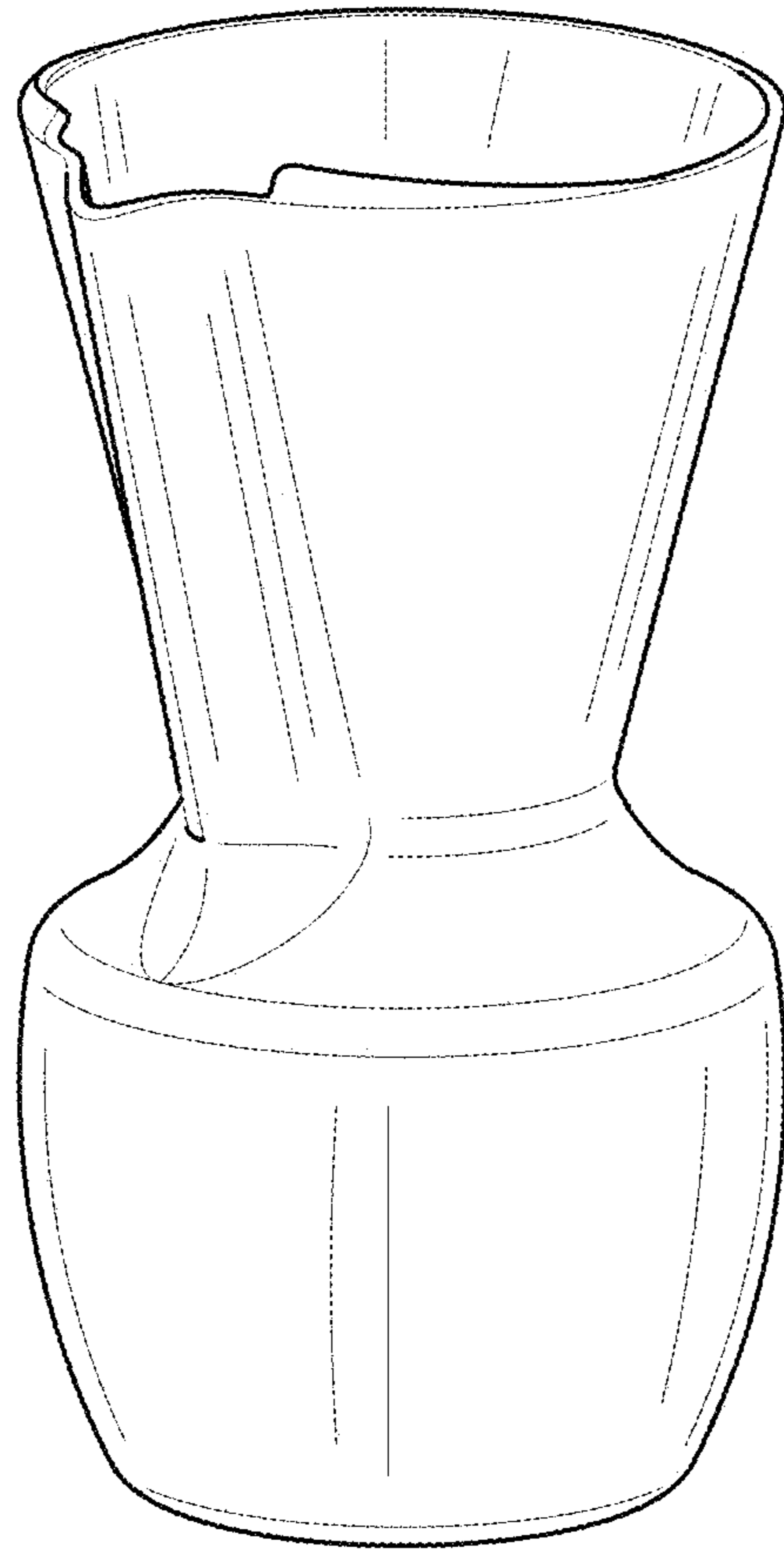


FIG. 1

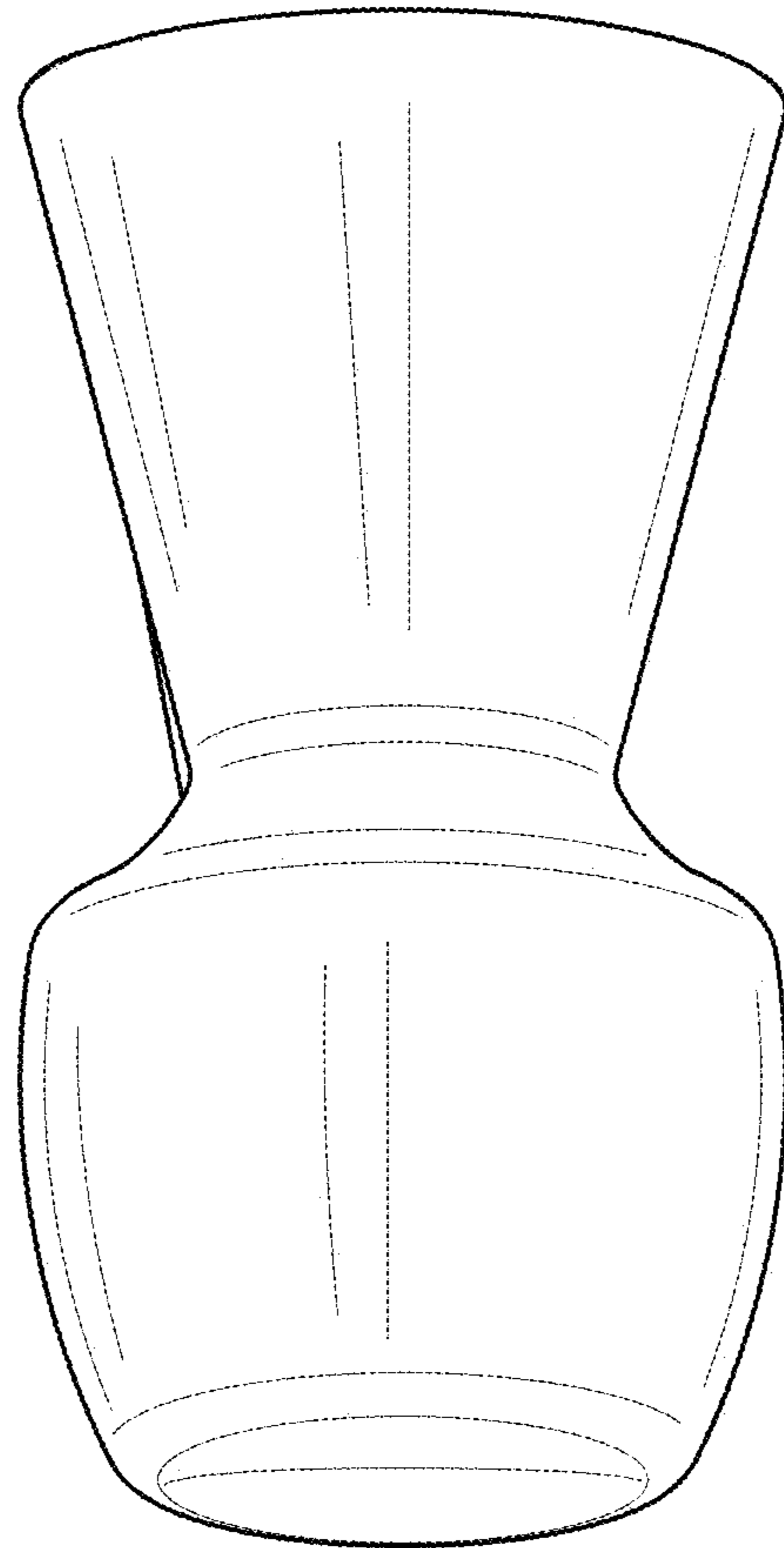


FIG. 2

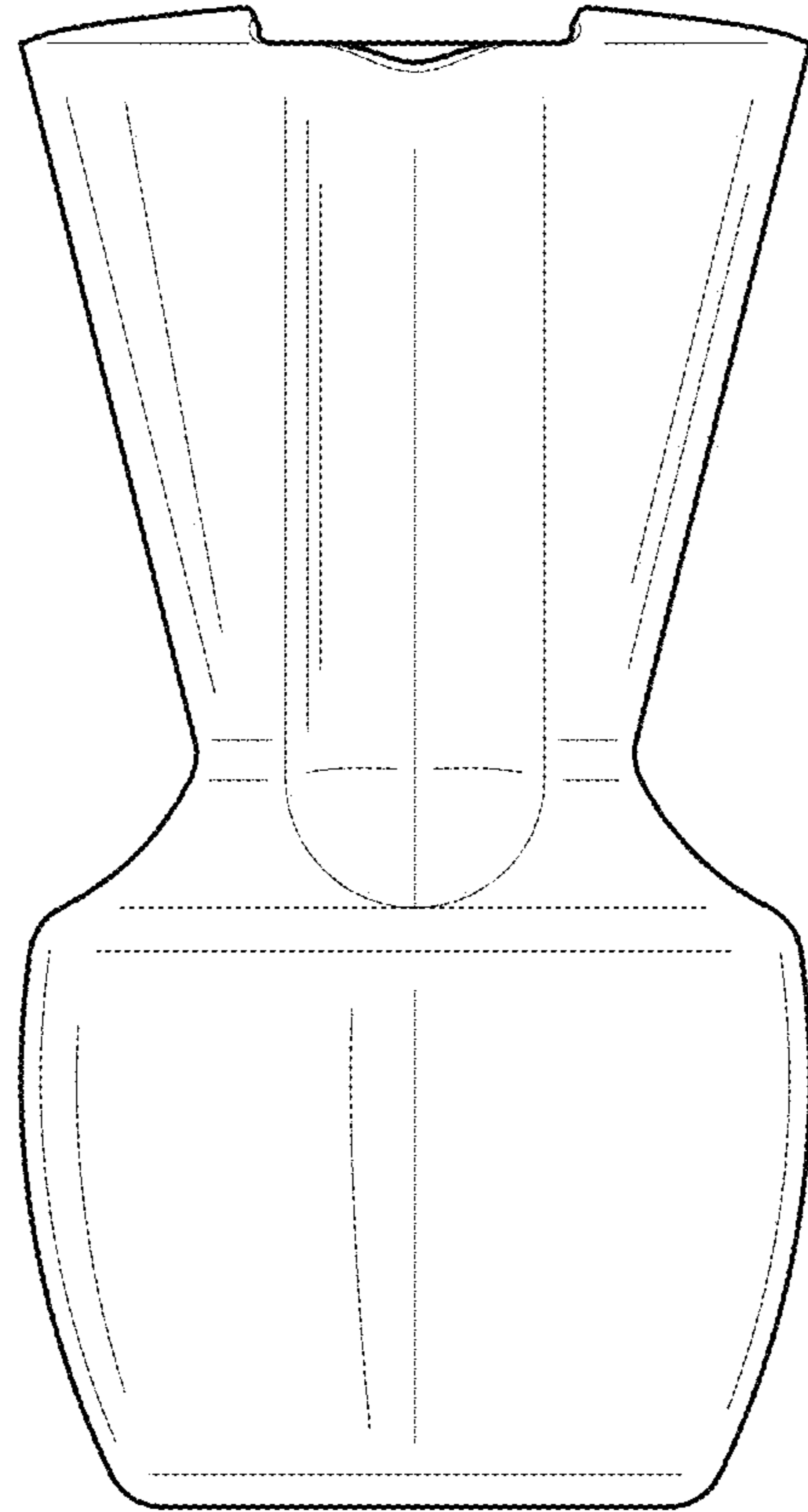


FIG. 3

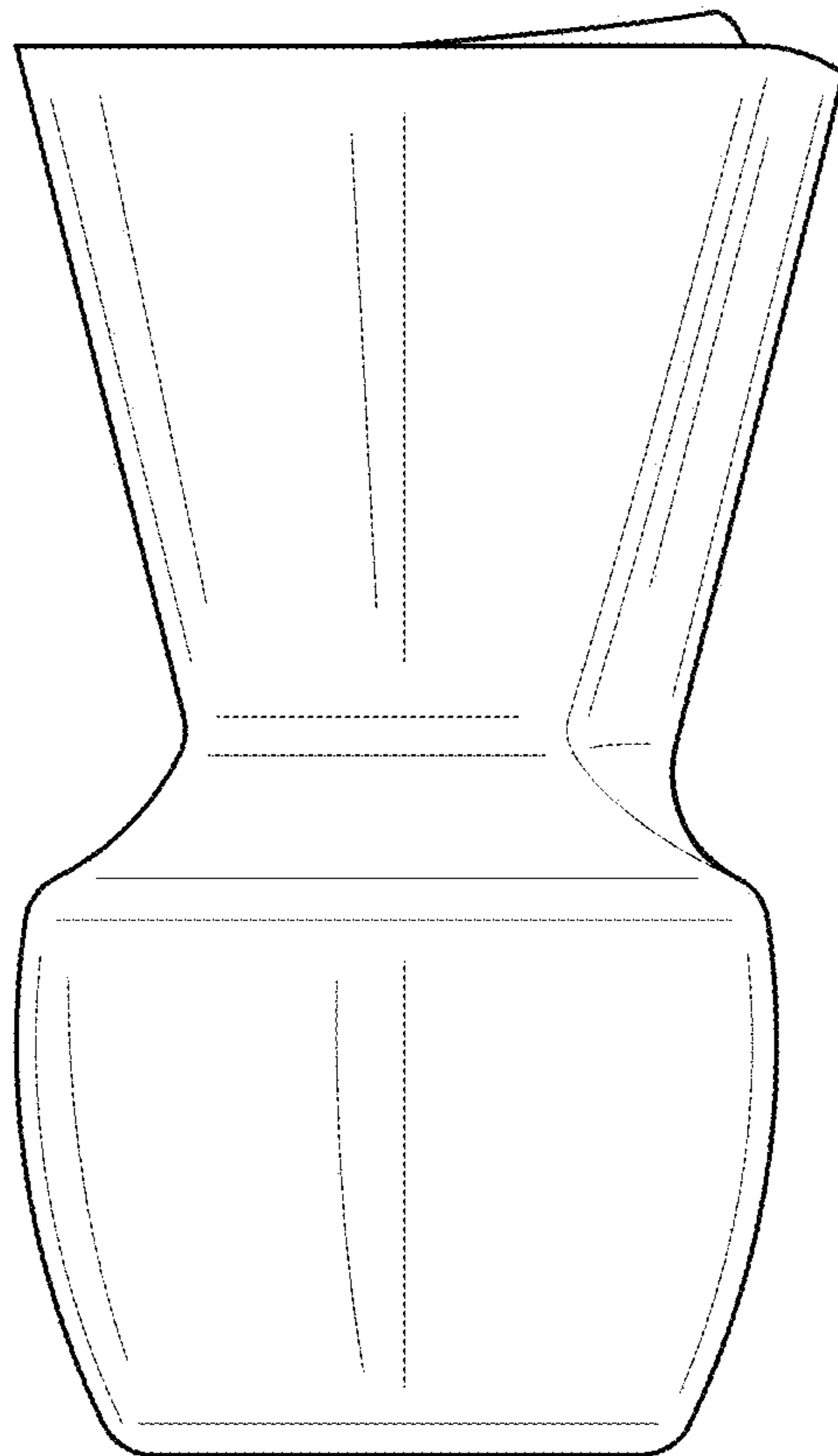


FIG. 4

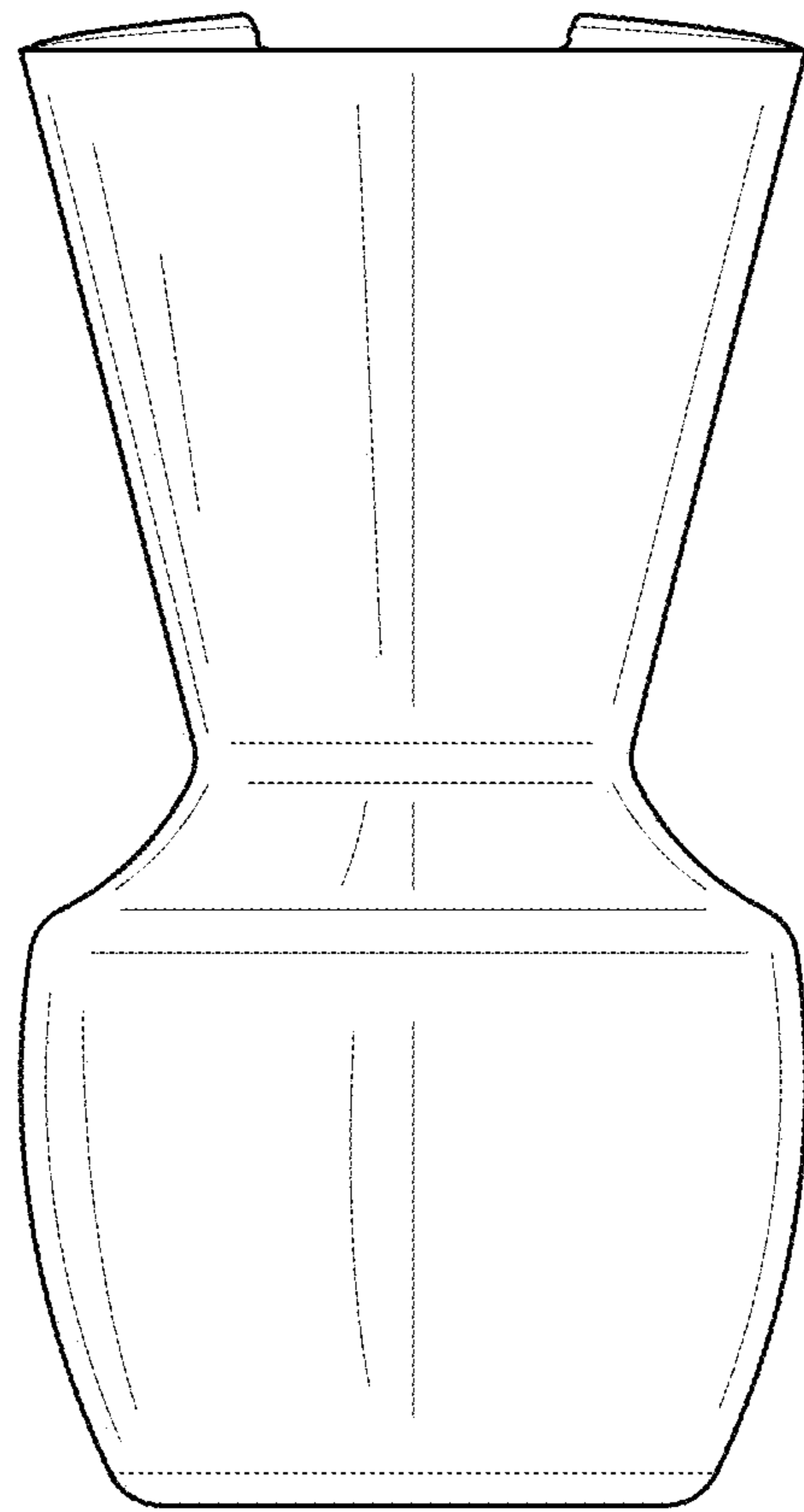


FIG. 5

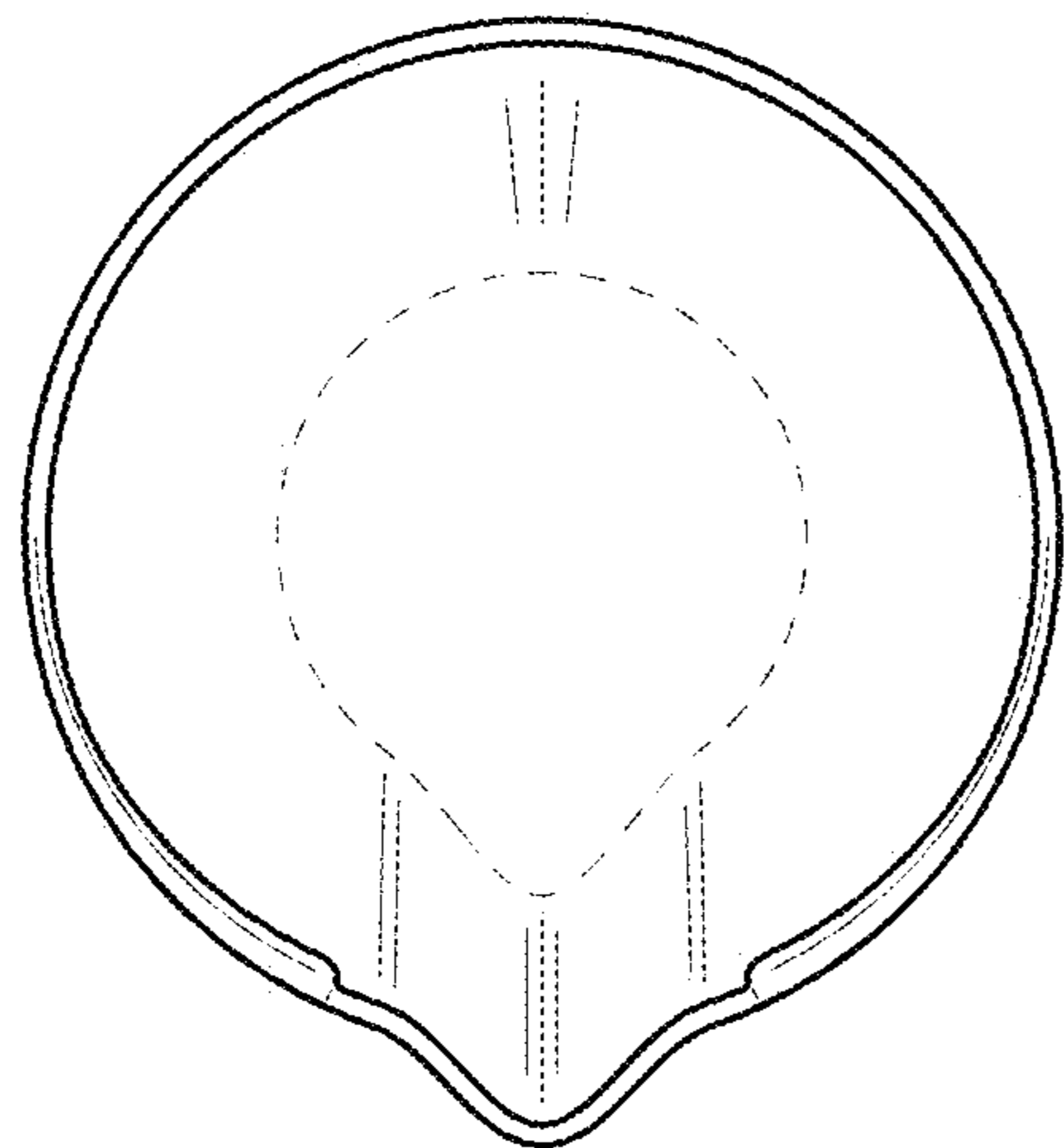


FIG. 6

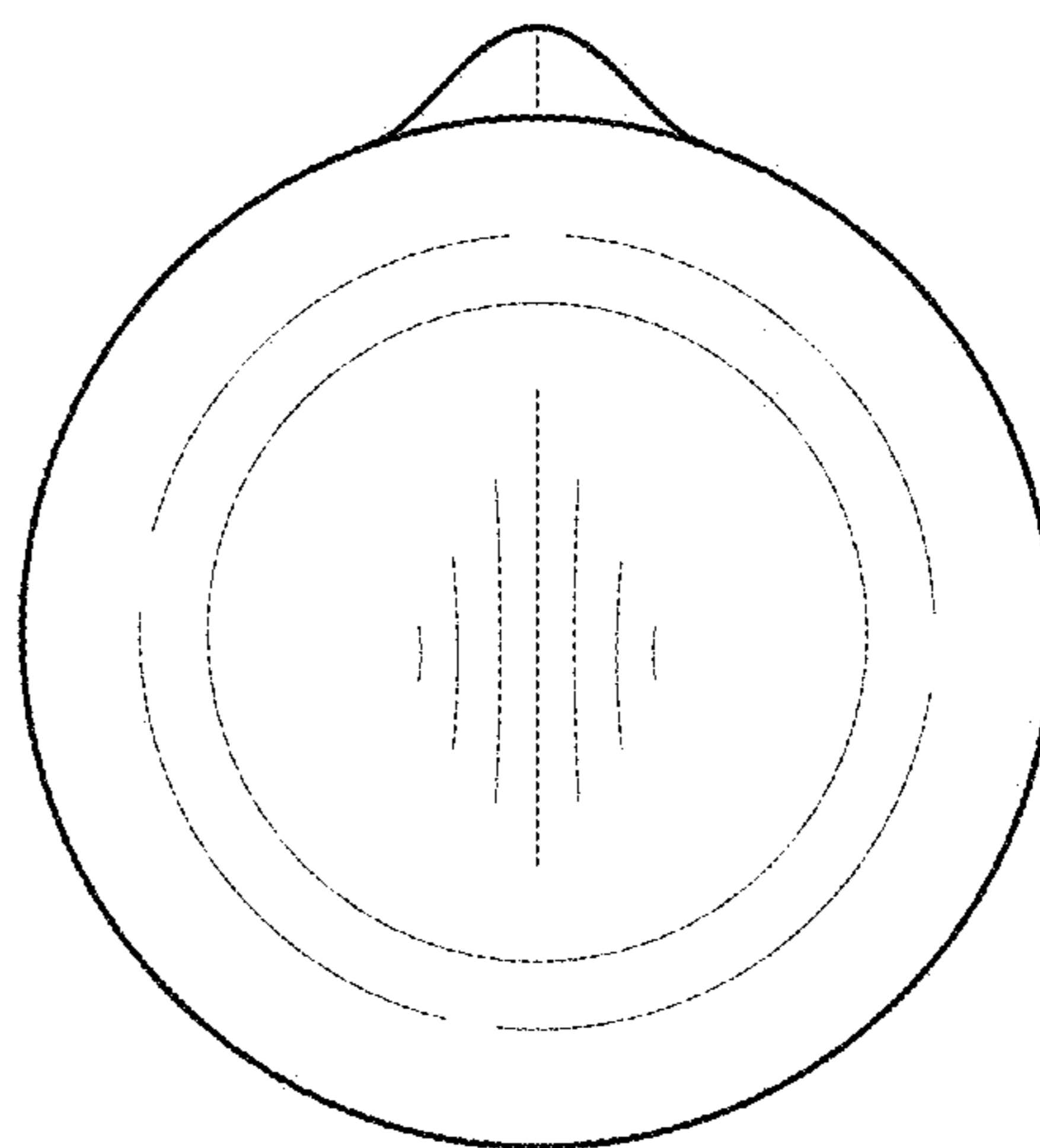


FIG. 7