

US00D961318S

(12) **United States Design Patent** (10) **Patent No.:** **US D961,318 S**  
**Kucera** (45) **Date of Patent:** **\*\* Aug. 23, 2022**

(54) **CONTAINER FOR BREWING BEER**

FOREIGN PATENT DOCUMENTS

(71) Applicant: **CM BREWING TECHNOLOGIES LLC**, Tustin, CA (US)

CN 2232724 Y 8/1999  
CN 1051799 C 4/2000

(Continued)

(72) Inventor: **Curtis C. Kucera**, Temecula, CA (US)

(73) Assignee: **CM Brewing Technologies, LLC**, Tustin, CA (US)

OTHER PUBLICATIONS

Brew Bucket, Ss Brewtech, [online], [site visited Aug. 26, 2021], Available from internet URL: <https://www.ssbrewtech.com/pages/brew-bucket> (Year: 2021).\*

(Continued)

(\*\*) Term: **15 Years**

(21) Appl. No.: **29/729,400**

(22) Filed: **Mar. 26, 2020**

*Primary Examiner* — Mary Ann Calabrese  
*Assistant Examiner* — Natalya M Rapundalo  
(74) *Attorney, Agent, or Firm* — Barnes & Thornburg LLP

**Related U.S. Application Data**

(63) Continuation of application No. 29/630,627, filed on Dec. 21, 2017, now Pat. No. Des. 879,529, and a (Continued)

(57) **CLAIM**

I claim the ornamental design for a container for brewing beer, as shown and described.

(51) **LOC (13) Cl.** ..... **31-00**

(52) **U.S. Cl.**  
USPC ..... **D7/313; D7/306**

**DESCRIPTION**

(58) **Field of Classification Search**  
USPC ..... D7/300–322, 378, 397–400, 602, 603, D7/700; D9/417, 447, 524–526, 530, D9/572, 575, 633; D15/81, 82; D20/1; D23/201, 205, 209; D24/216, 220, 224; D30/121, 132; D34/39; 99/275, 276  
CPC ..... A47J 31/00; A47J 31/007; A47J 31/057; A47J 31/10; A47J 31/3676; A47J 31/40; A47J 31/402; A47J 31/404; A47J 31/41; A47J 31/4482; A47J 31/4489; A47J 43/042;

FIG. 1 is an upper front perspective view of a container for brewing beer.  
FIG. 2 is a top plan view of the container for brewing beer of FIG. 1.  
FIG. 3 is a bottom plan view of the container for brewing beer of FIG. 1.  
FIG. 4 is a front elevation view of the container for brewing beer of FIG. 1.  
FIG. 5 is a rear elevation view of the container for brewing beer of FIG. 1.  
FIG. 6 is a right side elevation view of the container for brewing beer of FIG. 1; and,  
FIG. 7 is a left side elevation of the container for brewing beer of FIG. 1.  
The broken lines in the drawing views show portions of the container for brewing beer, and form no part of the claimed design.

(Continued)

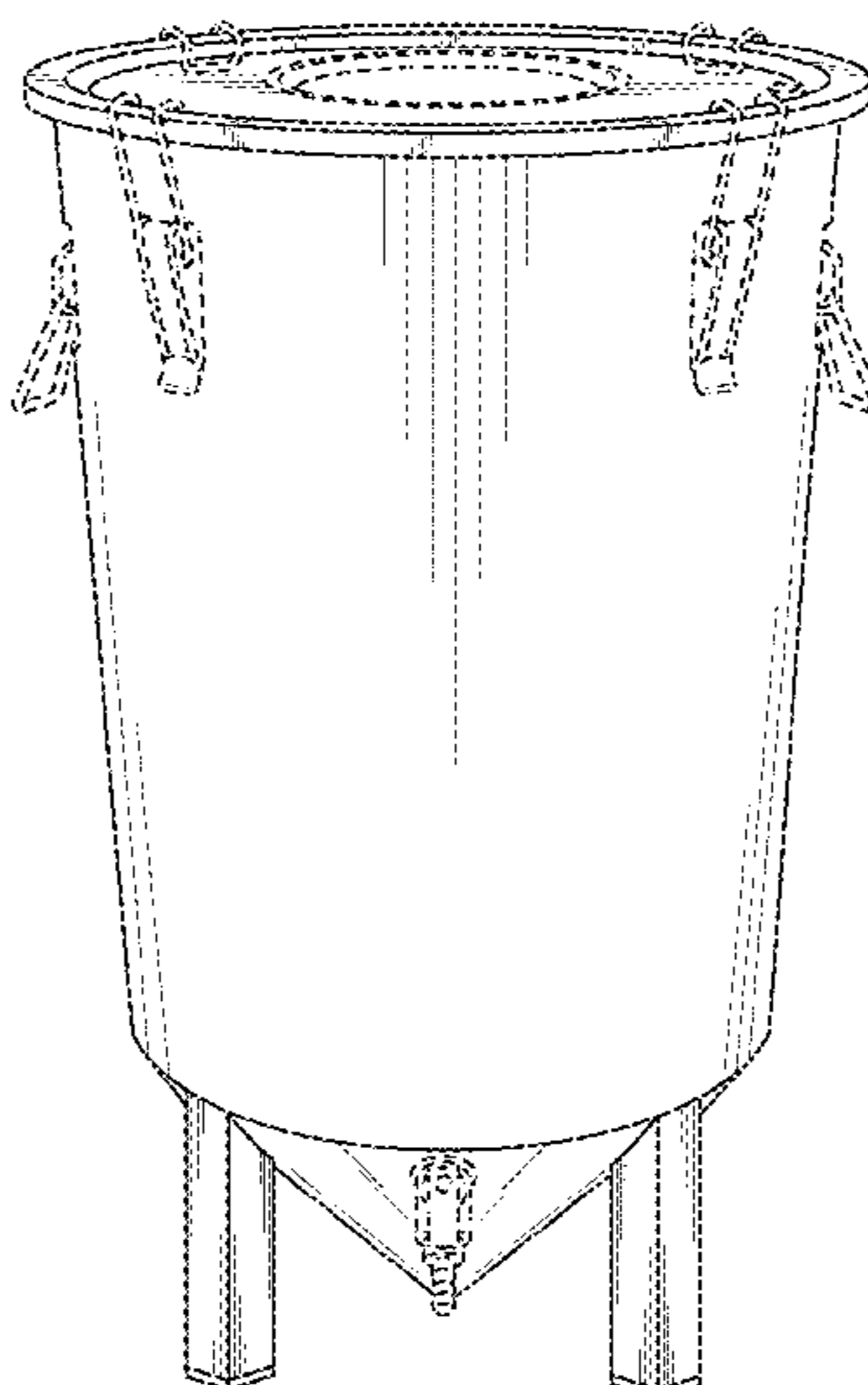
(56) **References Cited**

U.S. PATENT DOCUMENTS

D138,363 S 7/1944 Giuriati  
D193,779 S 10/1962 Walsh et al.

(Continued)

**1 Claim, 6 Drawing Sheets**



**Related U.S. Application Data**

continuation of application No. 29/497,025, filed on Jul. 20, 2014, now abandoned.

(58) **Field of Classification Search**

CPC .. A47J 43/27; A47J 2043/04454; B67D 1/00; B67D 1/0004; B67D 1/0021; B67D 1/0078; B67D 1/0462; B67D 1/0801; B67D 1/0872; B67D 1/1252; B67D 2001/0087; B67D 2001/0098; B67D 2001/0822; B67D 3/0032; B67D 3/0035; B67D 7/82; B67D 7/84; C02F 1/002; C02F 1/003; C12C 11/00; C12C 11/006; C12C 13/10

See application file for complete search history.

(56) **References Cited**

U.S. PATENT DOCUMENTS

D222,505	S	10/1971	Carr	
D235,340	S *	6/1975	Mize .....	C12C 13/10 D23/205
3,962,478	A	6/1976	Hohlbein et al.	
4,397,953	A	8/1983	Guazzone et al.	
D278,457	S *	4/1985	Schroder .....	D23/205
4,754,698	A	7/1988	Naish	
4,865,078	A	9/1989	Ensign	
D337,633	S	7/1993	Drager et al.	
5,235,901	A	8/1993	Maclennan	
D346,011	S	4/1994	Hawkins	
5,311,811	A	5/1994	Kuzyk	
5,906,151	A	5/1999	Firestone et al.	
D479,576	S	9/2003	Wright	
D486,946	S *	2/2004	Castro .....	D30/121
6,702,258	B1	3/2004	Pettinaroli	
D528,344	S	9/2006	Mika et al.	
D530,140	S	10/2006	Macler et al.	
D541,378	S	4/2007	Sinvani	
D570,148	S	6/2008	Garman	
D585,959	S	2/2009	Caron et al.	
D602,301	S	10/2009	Romandy	
D623,270	S	9/2010	Fukano et al.	
D636,678	S *	4/2011	Baird .....	D9/500
D671,650	S	11/2012	Donaldson	
D685,599	S	7/2013	Miller et al.	
D720,173	S *	12/2014	Polakoff .....	D7/306
D720,832	S	1/2015	Shetti et al.	
D723,316	S	3/2015	Epstein	
8,993,273	B1	3/2015	Blichmann	
D729,565	S	5/2015	Starr et al.	
9,192,883	B1	11/2015	Blichmann	
D750,422	S	3/2016	Jurs	
9,469,830	B1	10/2016	Blichmann	
D780,509	S *	3/2017	Riddell .....	D7/398
D786,002	S *	5/2017	Archer .....	D7/306
D789,145	S	6/2017	Blichmann et al.	
D805,830	S *	12/2017	Friedman .....	D7/306
D810,498	S	2/2018	Westfall et al.	
D812,953	S *	3/2018	Berberet .....	D7/306
D819,385	S *	6/2018	Moore .....	C12C 11/00 D7/313
D824,196	S	7/2018	Shin et al.	
10,017,722	B2	7/2018	Glasgow et al.	
D825,258	S	8/2018	Majka et al.	
D829,304	S	9/2018	McClauchlan et al.	
D849,465	S	5/2019	Shin et al.	
D859,902	S	9/2019	Van De Goor	
D874,204	S *	2/2020	Prabucki .....	C12C 13/10 D7/306
2004/0118737	A1	6/2004	Welsh et al.	
2005/0002439	A1	1/2005	Blichmann	
2005/0072309	A1	4/2005	Mullaney, Jr.	
2005/0279214	A1	12/2005	Blichmann	
2007/0023100	A1	2/2007	Blichmann	

2007/0053408	A1	3/2007	Blichmann	
2007/0090644	A1	4/2007	Poirier et al.	
2008/0311262	A1	12/2008	Blichmann	
2009/0193978	A1	8/2009	Blichmann	
2009/0308992	A1	12/2009	Blichmann	
2010/0018994	A1	1/2010	Antheil et al.	
2010/0303984	A1	12/2010	Wasmuht et al.	
2011/0165421	A1	7/2011	Schlesinger et al.	
2011/0244098	A1	10/2011	Blichmann et al.	
2014/0017354	A1	1/2014	Joseph et al.	
2014/0144328	A1 *	5/2014	Greene, Jr. ....	C12C 13/10 99/276
2015/0128809	A1	5/2015	Hansmann et al.	
2015/0152370	A1	6/2015	Blichmann	
2016/0018018	A1	1/2016	Blichmann	
2016/0186108	A1 *	6/2016	Kucera .....	C12C 13/10 99/276
2016/0326471	A1 *	11/2016	Aown .....	C12C 11/00

FOREIGN PATENT DOCUMENTS

DE	1205538	A1	9/1993
DE	102004053413	A1	5/2006
GB	271777	A	6/1927

OTHER PUBLICATIONS

VEVOR 7 Gallon Home Brewing Chronical Fermenter Stainless Steel Brew Bucket, Walmart, [online], [site visited Sep. 7, 2021], Available from internet URL: <https://www.walmart.com/ip/VEVOR-7-Gallon-Home-Brewing-Chronical-Fermenter-Stainless-Steel-Brew-Bucket-Fermenter-with-Conical-Base/447881480> (Year: 2021).\*

F32L SS Conical Fermenter PRO, Brew Taurus, [online], [site visited Sep. 7, 2021], Available from internet URL: <https://brewtaurus.com/products/ss-ft-32l-conical-fermenter-pro> (Year: 2021).\*

Fermentor (Blichmann Engineering), first available Oct. 24, 2011, YouTube, [online], [site visited Mar. 31, 2022], Available from internet URL: [https://www.youtube.com/watch?v=h7-3-e\\_V1](https://www.youtube.com/watch?v=h7-3-e_V1) NO (Year: 2011).\*

27 Gallon Fermenter @ Williams Brewing: <http://www.williamsbrewing.com/27-GALLON-FERMENTAOR-P980.ASPX>; accessed Jun. 18, 2014.

Blichmann Engineering, Fermentor; <http://www.blichmannengineering.com/products/fermentor>, 2013 Blichmann Engineering, accessed Jun. 23, 2014.

Blichmann Engineering, Fermentor, Tri-Clamp Models; Operation, Assembly, Maintenance Manuel; F3-TC Owners Manual V4, 2011 Blichmann Engineering, LLC.

Brouwland, Fermentor Ferment Tank Standard 1581 (42 gal); <http://brouwland.com/en/our-products/winemaking/bottles-tanks-barrels/stainless-steel-tanks;cylindroconical-tanks/tanks/d/fermentor-ferment-tank-sta...>; accessed Jun. 18, 2014.

CF7BBL-JKT-SIDE 7 Barrel Glycol Jacketed Conical Fermenter with Side Manway; <https://conical-fermenter.com/7-Barrel-Glycol-Jacketed-Conical-Fermenter.html>; 2009-2014 Stout Tanks & Kettles, LLC, accessed Jun. 18, 2014.

SS Brewing Technologies; The Brew Bucket 7 Gallon 304 Stainless Steel Fermenter | SS Brewing Technologies <http://www.ssbrewtech.com/products/brewbucket>; accessed Jun. 17, 2014.

Young, Lee W. Authorized Officer, International Searching Authority / U.S. Receiving Office, "International Search Report" in connection with related International Application No. PCT/US2015/041201, dated Oct. 23, 2015, 2 pages.

Young, Lee W., Authorized Officer, International Searching Authority / U.S. Receiving Office, "Written Opinion of the International Searching Authority" in connection with related International Application No. PCT/US2015/041201, dated Oct. 23, 2015, 6 pages.

U.S. Appl. No. 29/630,627, filed Dec. 21, 2017.

U.S. Appl. No. 29/497,025, filed Jul. 20, 2014.

U.S. Appl. No. 29/729,400, filed Mar. 26, 2020.

\* cited by examiner

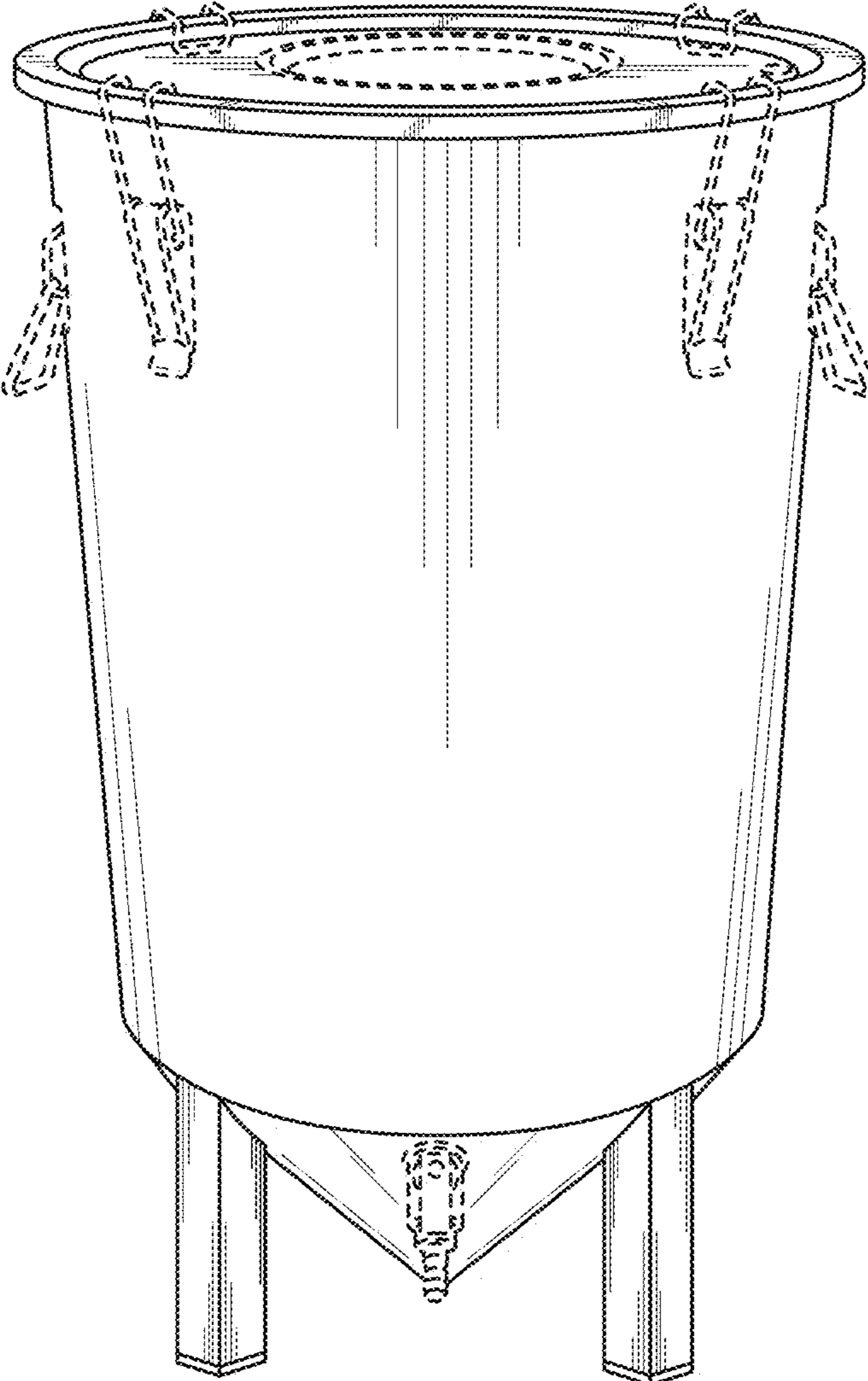


FIG. 1

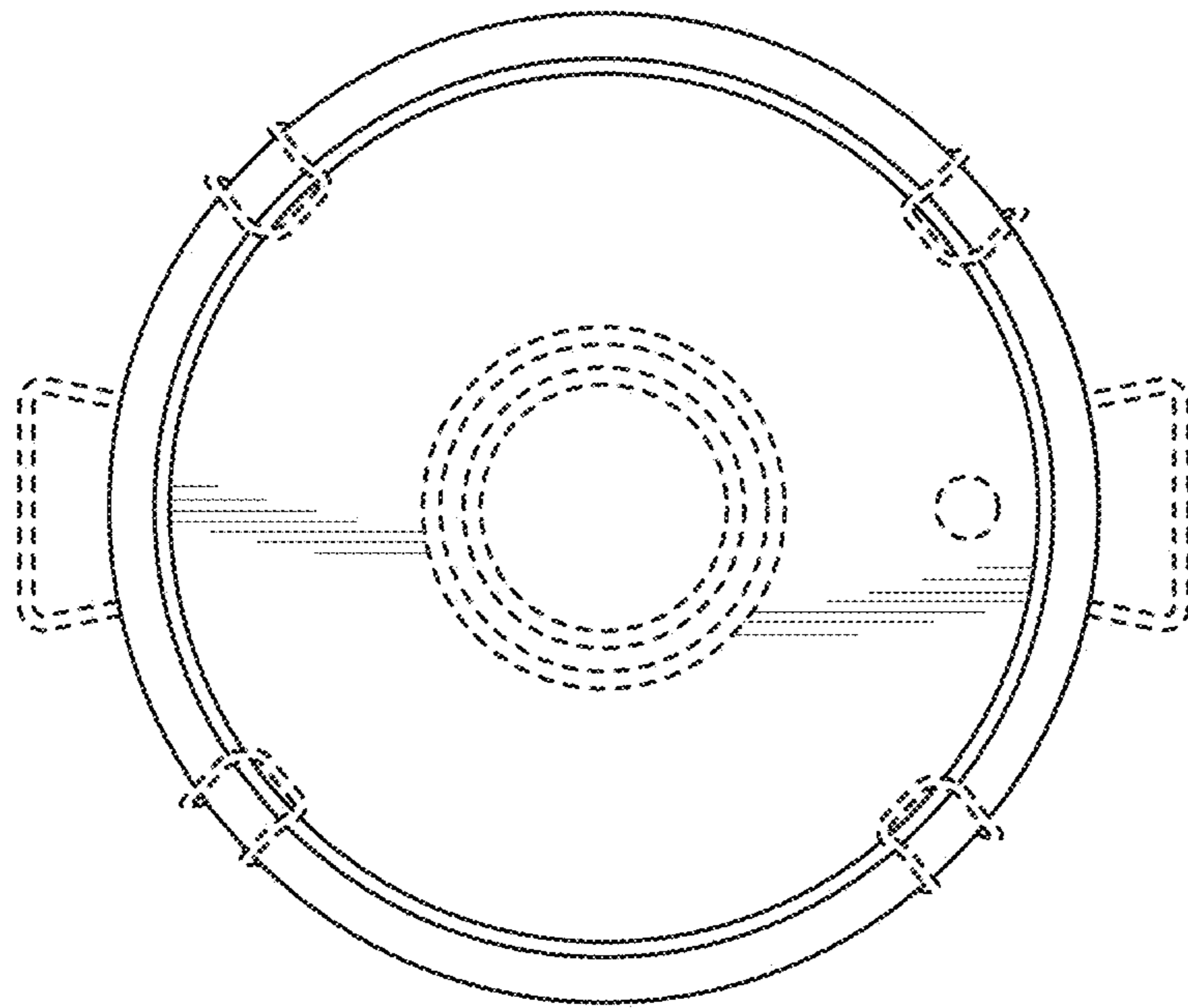


FIG. 2

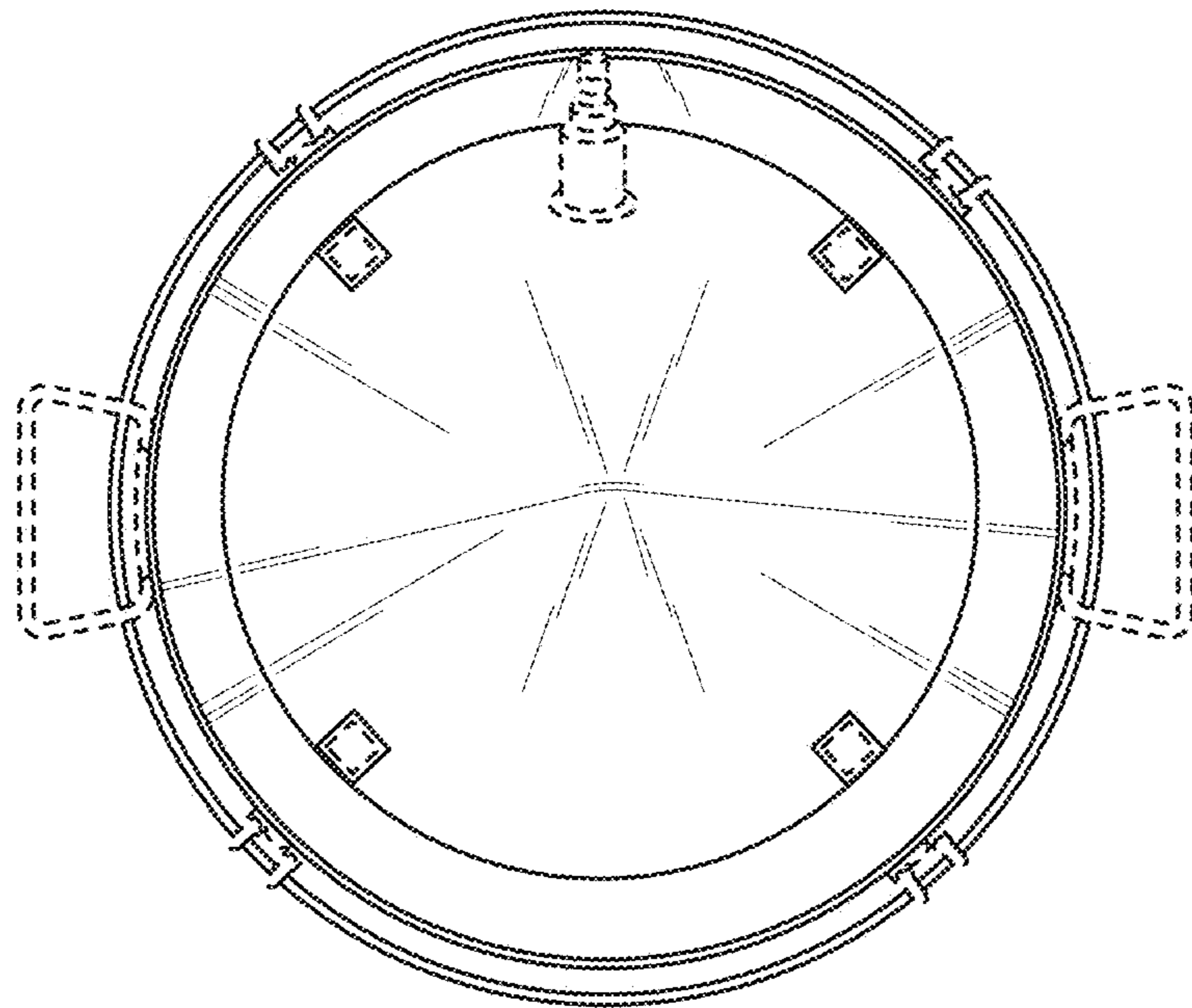


FIG. 3

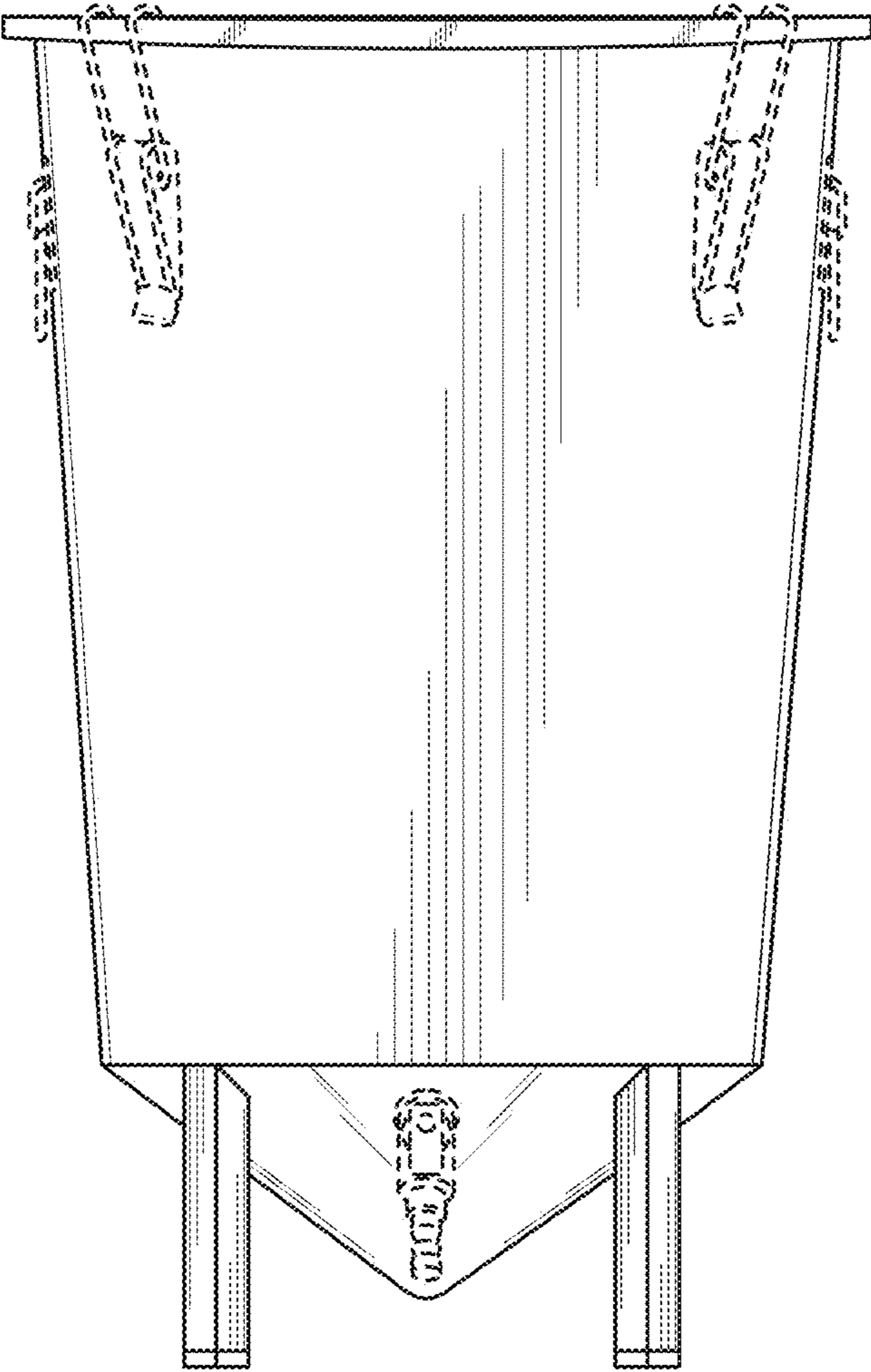


FIG. 4

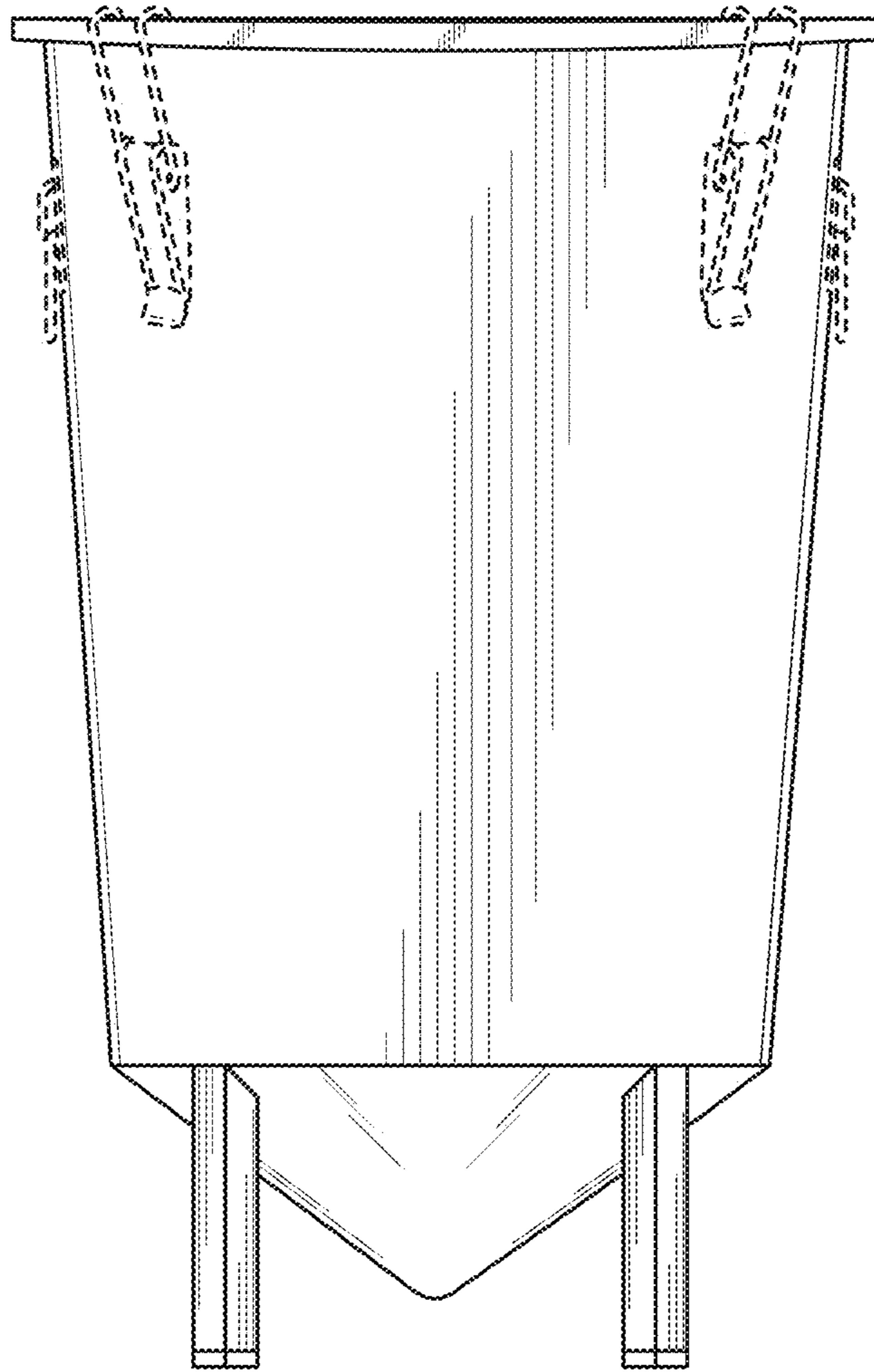


FIG. 5

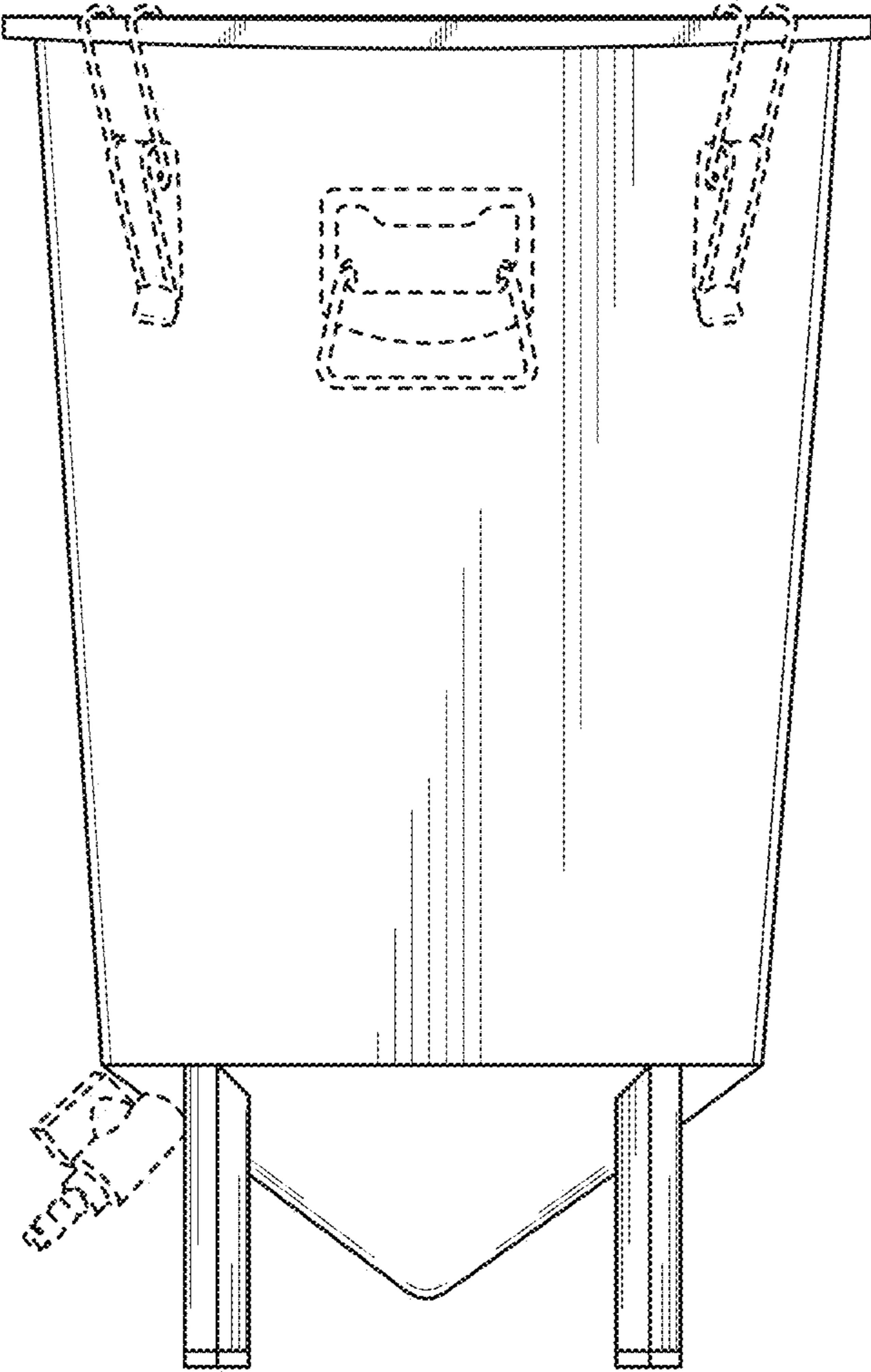


FIG. 6

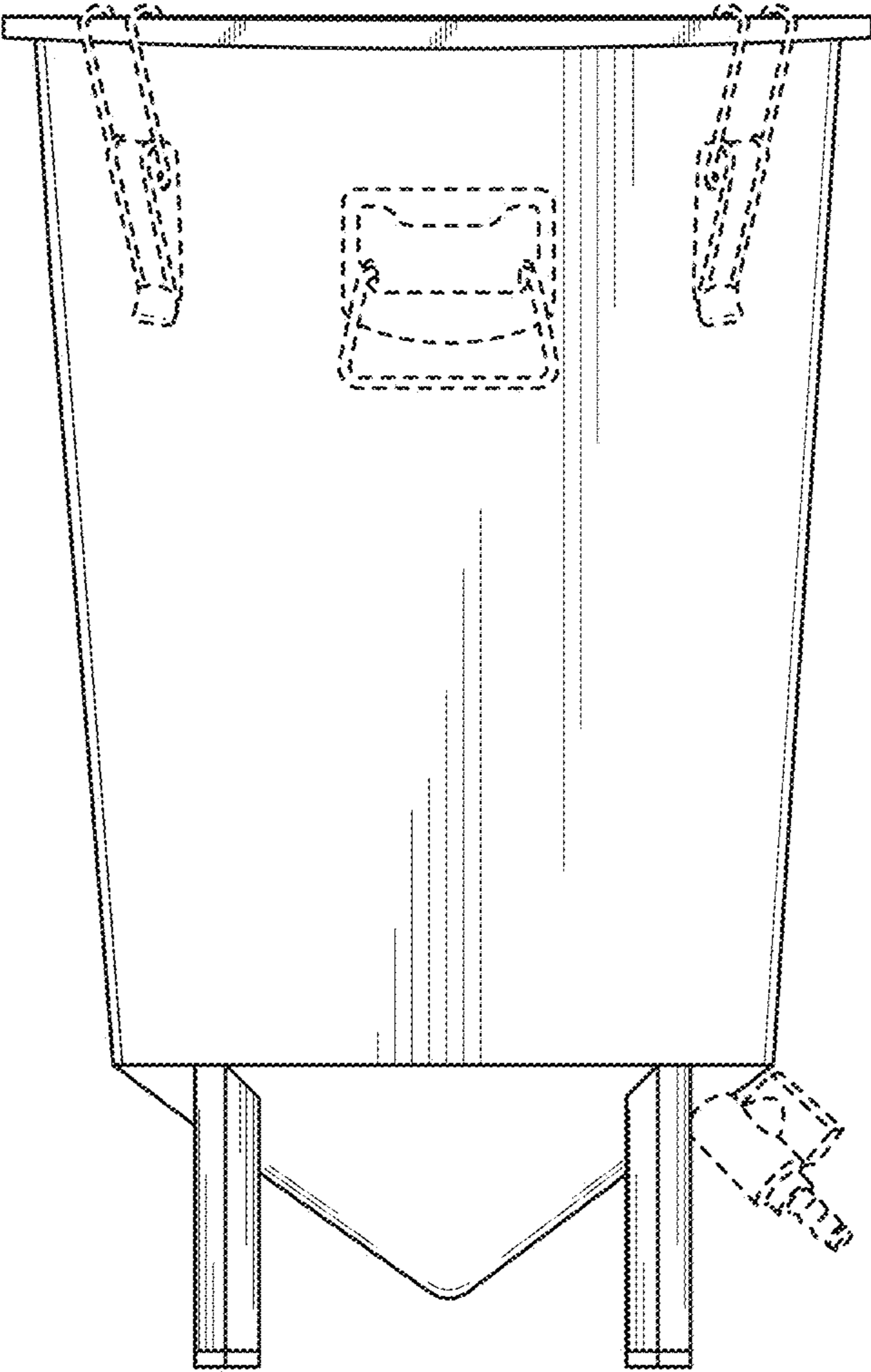


FIG. 7