



US00D961317S

(12) **United States Design Patent**  
**Deevers et al.**

(10) **Patent No.:** **US D961,317 S**

(45) **Date of Patent:** **\*\* Aug. 23, 2022**

(54) **BACKREST**

4,826,249 A 5/1989 Bradbury  
4,869,554 A 9/1989 Abu-Isa et al.  
5,354,120 A 10/1994 Völkle

(Continued)

(71) Applicant: **Steelcase Inc.**, Grand Rapids, MI (US)

(72) Inventors: **Nickolaus William Charles Deevers**,  
Holland, MI (US); **Kurt R. Heidmann**,  
Grand Rapids, MI (US); **Gordon J.**  
**Peterson**, Rockford, MI (US); **Mark**  
**Spoelhof**, Grand Rapids, MI (US);  
**James Ludwig**, Grand Rapids, MI (US)

FOREIGN PATENT DOCUMENTS

JP 2012085897 A \* 5/2012  
JP 2013-132403 A 7/2013  
JP 2020062346 A \* 4/2020

(73) Assignee: **STEELCASE INC.**, Grand Rapids, MI (US)

OTHER PUBLICATIONS

Sedus brochure, "se:motion, Office swivel chair for agile working",  
obtained from the Internet at: www.sedus.com, not dated, 20 pgs.

(\*\*) Term: **15 Years**

*Primary Examiner* — R. Johnson

(21) Appl. No.: **29/724,807**

(74) *Attorney, Agent, or Firm* — Crowell & Moring LLP

(22) Filed: **Feb. 19, 2020**

(57) **CLAIM**

The ornamental design for a backrest, as shown and described.

(51) **LOC (13) Cl.** ..... **06-01**

(52) **U.S. Cl.**  
USPC ..... **D6/716.4**

**DESCRIPTION**

(58) **Field of Classification Search**  
USPC ..... D6/334, 361, 364, 365, 366, 367, 379,  
D6/380, 716.1, 716.2, 716.4  
CPC .... A47C 3/00; A47C 3/18; A47C 3/20; A47C  
3/026; A47C 1/00; A47C 1/02; A47C  
1/022; A47C 1/03; A47C 1/14; A47C  
1/143; A47C 7/24; A47C 7/36; A47C  
7/46; A47C 7/18; A47C 7/40; A47C 7/54  
See application file for complete search history.

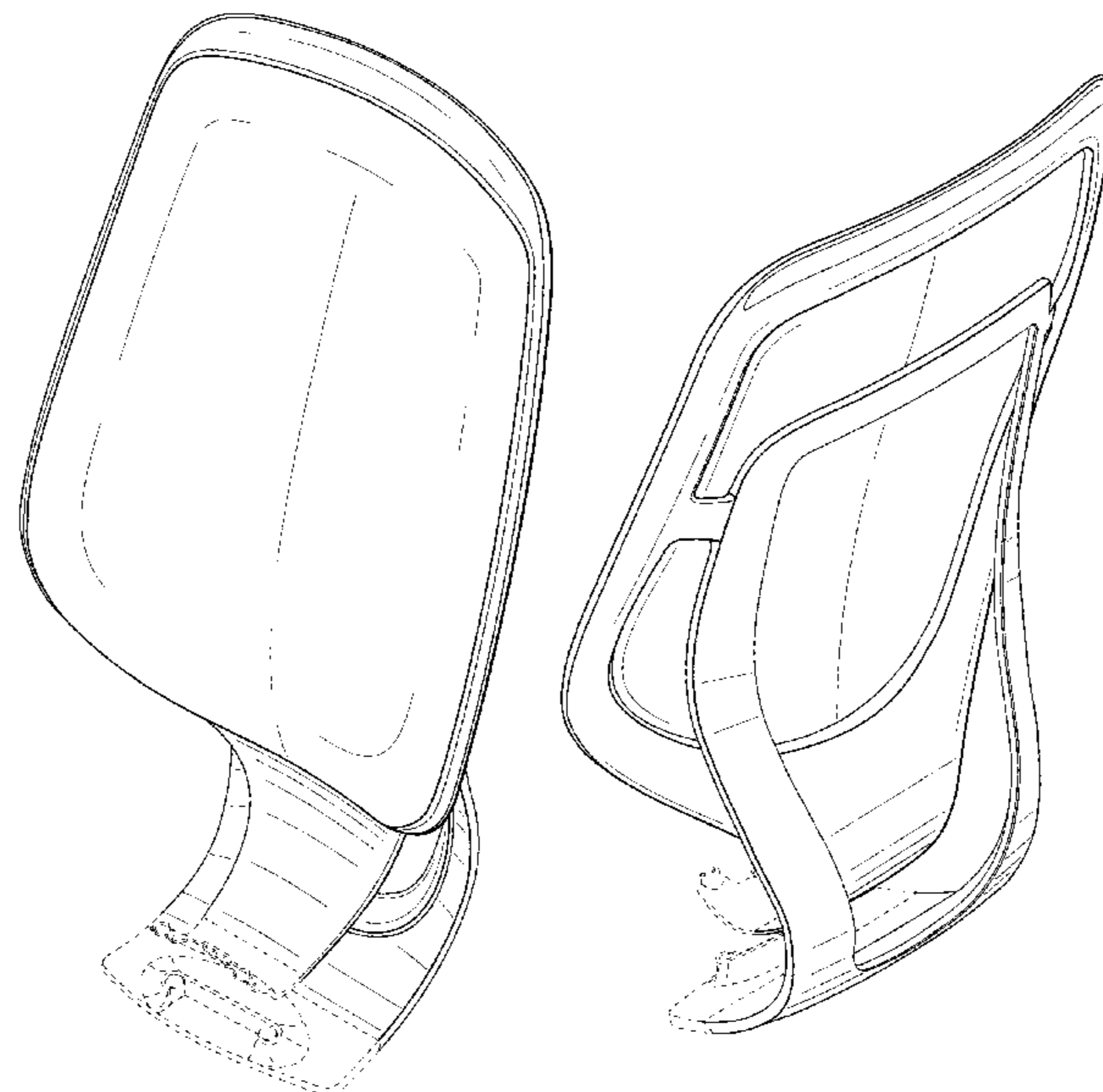
FIG. 1 is a front perspective view of a backrest;  
FIG. 2 is a rear perspective view of the backrest shown in  
FIG. 1;  
FIG. 3 is a right side view of the backrest shown in FIG. 1;  
FIG. 4 is a left side view of the backrest shown in FIG. 1;  
FIG. 5 is front view of the backrest shown in FIG. 1;  
FIG. 6 is a rear view of the backrest shown in FIG. 1;  
FIG. 7 is a top view of the backrest shown in FIG. 1; and,  
FIG. 8 is a bottom view of the backrest shown in FIG. 1.  
The ornamental design which is claimed is shown in solid  
lines in the drawings. The structures shown in broken lines  
in FIGS. 1-8 are for environmental purposes only and do not  
form any part of the claimed design. The broken lines shown  
in FIGS. 1-8 along the bottom portion of the backrest  
between the environmental structure and the claimed design  
show the boundary of the claimed design and do not form  
any part thereof.

(56) **References Cited**

U.S. PATENT DOCUMENTS

3,041,109 A 6/1962 Eames et al.  
3,606,464 A 9/1971 Arbuthnot  
4,545,614 A 10/1985 Abu-Isa et al.  
4,555,136 A 11/1985 Dranger  
4,555,139 A 11/1985 Leib

**1 Claim, 6 Drawing Sheets**



(56)

References Cited

U.S. PATENT DOCUMENTS

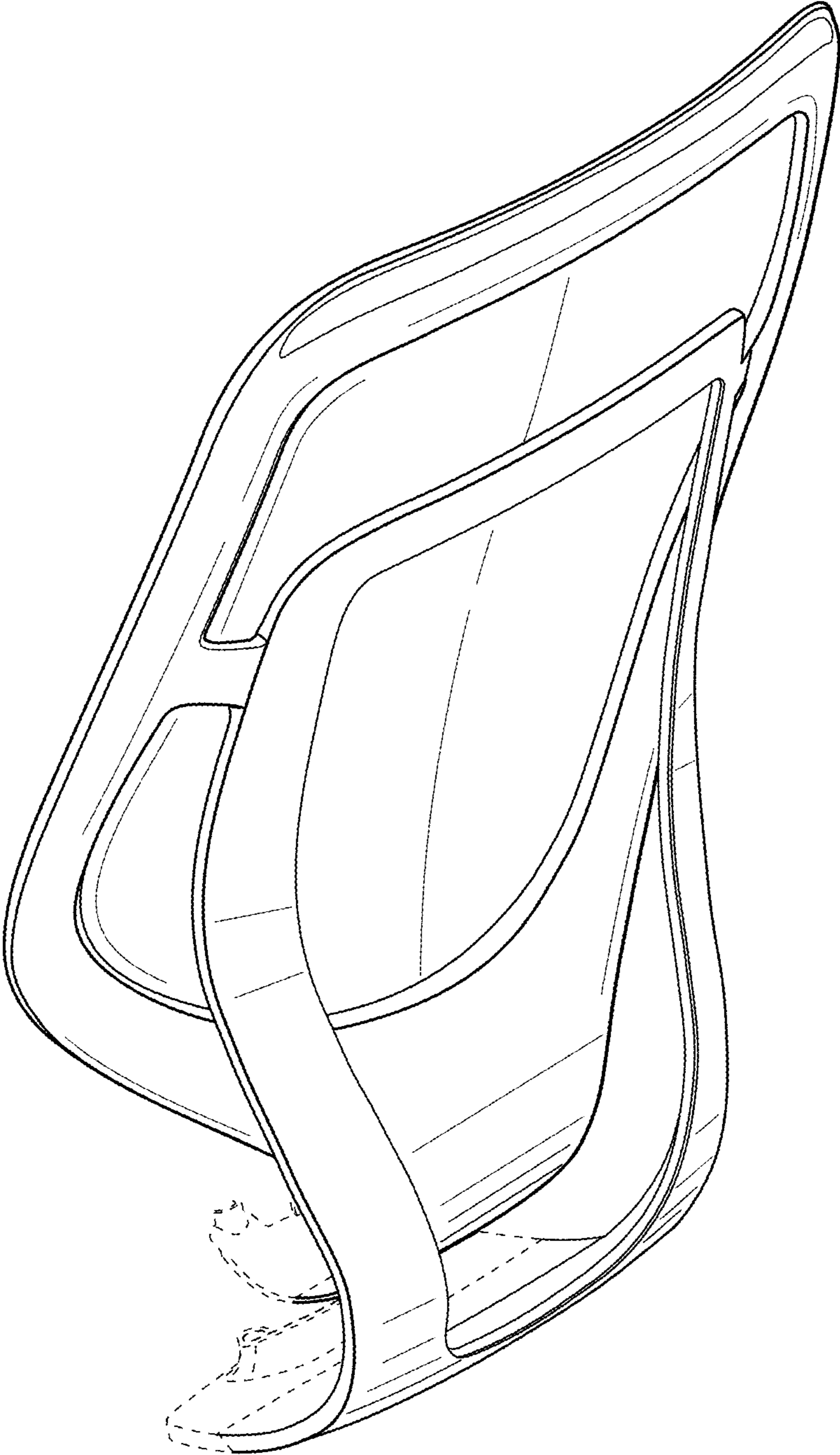
5,457,968 A	10/1995	McClintock et al.		D699,994 S	2/2014	Smith et al.	
5,795,026 A *	8/1998	Dral .....	A47C 1/03 297/411.2	D701,053 S	3/2014	Smith et al.	
5,855,991 A	1/1999	McLarty, III		8,690,249 B2	4/2014	Kang et al.	
6,050,646 A	4/2000	Stenzel et al.		D707,976 S	7/2014	Smith	
6,341,822 B2	1/2002	Apissomian		D708,882 S *	7/2014	Hsuan-Chin .....	D6/716.4
6,632,756 B1	10/2003	Waldrop et al.		8,794,701 B2	8/2014	Nakayama et al.	
D487,359 S	3/2004	Giugiaro		8,998,339 B2	4/2015	Peterson et al.	
6,729,691 B2	5/2004	Koepke et al.		D733,445 S	7/2015	Izawa et al.	
6,749,261 B2	6/2004	Knoblock et al.		D742,676 S	11/2015	Smith et al.	
D496,813 S	10/2004	Nakajima		D742,677 S	11/2015	Smith et al.	
6,814,412 B2	11/2004	Cramb, III et al.		D742,678 S	11/2015	Smith et al.	
6,951,370 B1	10/2005	Hsu		D750,406 S	3/2016	Smith et al.	
6,983,997 B2	1/2006	Wilkerson et al.		9,560,917 B2	2/2017	Roslund, Jr.	
D517,820 S *	3/2006	Citterio .....	D6/366	D781,604 S	3/2017	Smith et al.	
7,055,911 B2	6/2006	Simpson et al.		D781,605 S	3/2017	Smith et al.	
D527,920 S	9/2006	Giugiaro		9,622,579 B2	4/2017	Wilkinson et al.	
D528,811 S	9/2006	Giugiaro		9,648,957 B2	5/2017	Su	
7,159,943 B2	1/2007	Costaglia		D792,717 S	7/2017	Webb	
D549,975 S	9/2007	Fancelli		D802,951 S	11/2017	Ludwig et al.	
D555,377 S	11/2007	Pensi		D802,952 S	11/2017	Ludwig et al.	
D557,917 S *	12/2007	Nakamura .....	D6/366	D804,209 S	12/2017	Ludwig et al.	
D576,809 S	9/2008	Christianson et al.		D804,839 S	12/2017	Ludwig et al.	
7,425,039 B2	9/2008	Lin		D804,840 S	12/2017	Ludwig et al.	
7,441,839 B2	10/2008	Pennington et al.		D804,841 S	12/2017	Ludwig et al.	
7,568,765 B2	8/2009	Bräuning		D804,875 S	12/2017	Ludwig et al.	
7,712,833 B2	5/2010	Ueda		D804,876 S	12/2017	Ludwig et al.	
7,837,272 B2	11/2010	Masunaga et al.		D808,187 S	1/2018	Ludwig et al.	
D641,983 S	7/2011	Hazzard		D821,793 S	7/2018	Ludwig et al.	
D646,088 S	10/2011	Ballendat		D825,971 S	8/2018	Scagnellato	
8,087,727 B2	1/2012	Parker et al.		D834,844 S	12/2018	Chan et al.	
8,113,582 B2	2/2012	Liu		10,173,567 B2	1/2019	Madrigal et al.	
D658,904 S	5/2012	Chen		D852,525 S	7/2019	Peterson	
D663,129 S	7/2012	Greutmann		D852,526 S	7/2019	Peterson	
8,251,448 B2 *	8/2012	Machael .....	A47C 7/46 297/300.2	D863,802 S	10/2019	Wang	
D675,456 S	2/2013	Sexton		D869,872 S *	12/2019	Deevers .....	D6/366
D683,150 S	5/2013	Smith et al.		D870,479 S	12/2019	Deevers et al.	
D683,151 S	5/2013	Smith et al.		D873,043 S	1/2020	Su	
D688,497 S	8/2013	Smith et al.		D873,576 S	1/2020	Engelhardt	
D688,498 S	8/2013	Smith et al.		D874,202 S	2/2020	Schmitz et al.	
D688,499 S	8/2013	Smith et al.		D878,789 S	3/2020	Wang	
D688,500 S	8/2013	Smith et al.		D879,523 S	3/2020	Lampela et al.	
D688,501 S	8/2013	Smith et al.		D880,885 S	4/2020	Li	
D688,503 S	8/2013	Smith et al.		D881,621 S	4/2020	Jin et al.	
D688,504 S	8/2013	Smith et al.		10,617,226 B1	4/2020	Liao	
D688,505 S	8/2013	Smith et al.		D883,690 S *	5/2020	Dassen .....	D6/366
D689,312 S	9/2013	Smith et al.		D883,691 S *	5/2020	Dassen .....	D6/366
D689,313 S	9/2013	Smith et al.		D887,157 S	6/2020	Holbrook	
D689,314 S	9/2013	Smith et al.		D899,836 S	10/2020	Chu	
D689,317 S	9/2013	Smith et al.		D902,614 S	11/2020	Peng	
D689,318 S	9/2013	Smith et al.		D903,353 S	12/2020	Meda	
D690,146 S	9/2013	Smith et al.		D906,711 S	1/2021	Li	
D690,547 S	10/2013	Smith et al.		D907,935 S	1/2021	Deevers	
D694,536 S	12/2013	Smith et al.		D908,381 S	1/2021	Breen	
D694,537 S	12/2013	Smith et al.		D912,419 S *	3/2021	Chen .....	D6/366
D694,538 S	12/2013	Smith et al.		2003/0189367 A1	10/2003	Erker	
D694,539 S	12/2013	Smith et al.		2007/0057560 A1 *	3/2007	Fookes .....	A47C 1/03 297/411.35
D694,540 S	12/2013	Smith et al.		2007/0108821 A1 *	5/2007	Ueda .....	A47C 1/03255 297/301.1
D695,034 S	12/2013	Smith et al.		2008/0100121 A1	5/2008	Serber	
D697,726 S	1/2014	Smith et al.		2009/0018833 A1	1/2009	Kozat et al.	
D697,728 S	1/2014	Smith et al.		2009/0261644 A1	10/2009	Piretti	
D697,729 S	1/2014	Smith et al.		2011/0233979 A1	9/2011	An	
D697,730 S	1/2014	Smith et al.		2013/0341980 A1	12/2013	Halliday et al.	
D698,164 S	1/2014	Smith et al.		2014/0077429 A1	3/2014	Battley	
D698,165 S	1/2014	Smith et al.		2014/0077541 A1	3/2014	Krupiczewicz	
D698,166 S	1/2014	Smith et al.		2014/0077548 A1 *	3/2014	Peterson .....	A47C 3/00 297/284.4
D699,957 S	2/2014	Smith et al.		2016/0220025 A1	8/2016	Piretti	
D699,958 S	2/2014	Smith et al.		2018/0310721 A1	11/2018	Schmitz et al.	
D699,959 S	2/2014	Smith et al.		2020/0085194 A1	3/2020	Maier et al.	
				2020/0305610 A1	10/2020	Bock	

\* cited by examiner

FIG. 1



FIG. 2



**FIG. 3**



**FIG. 4**



FIG. 5

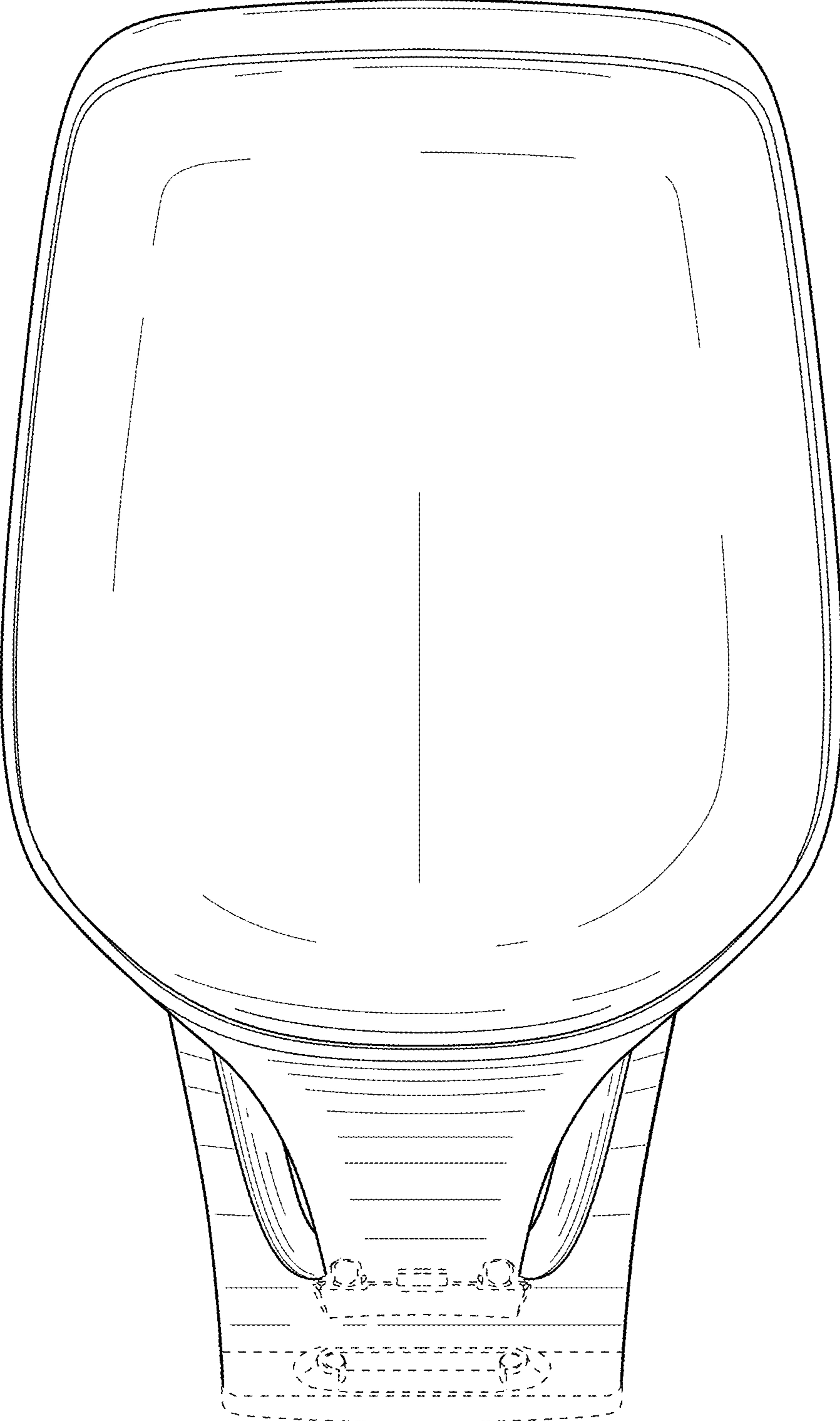


FIG. 6

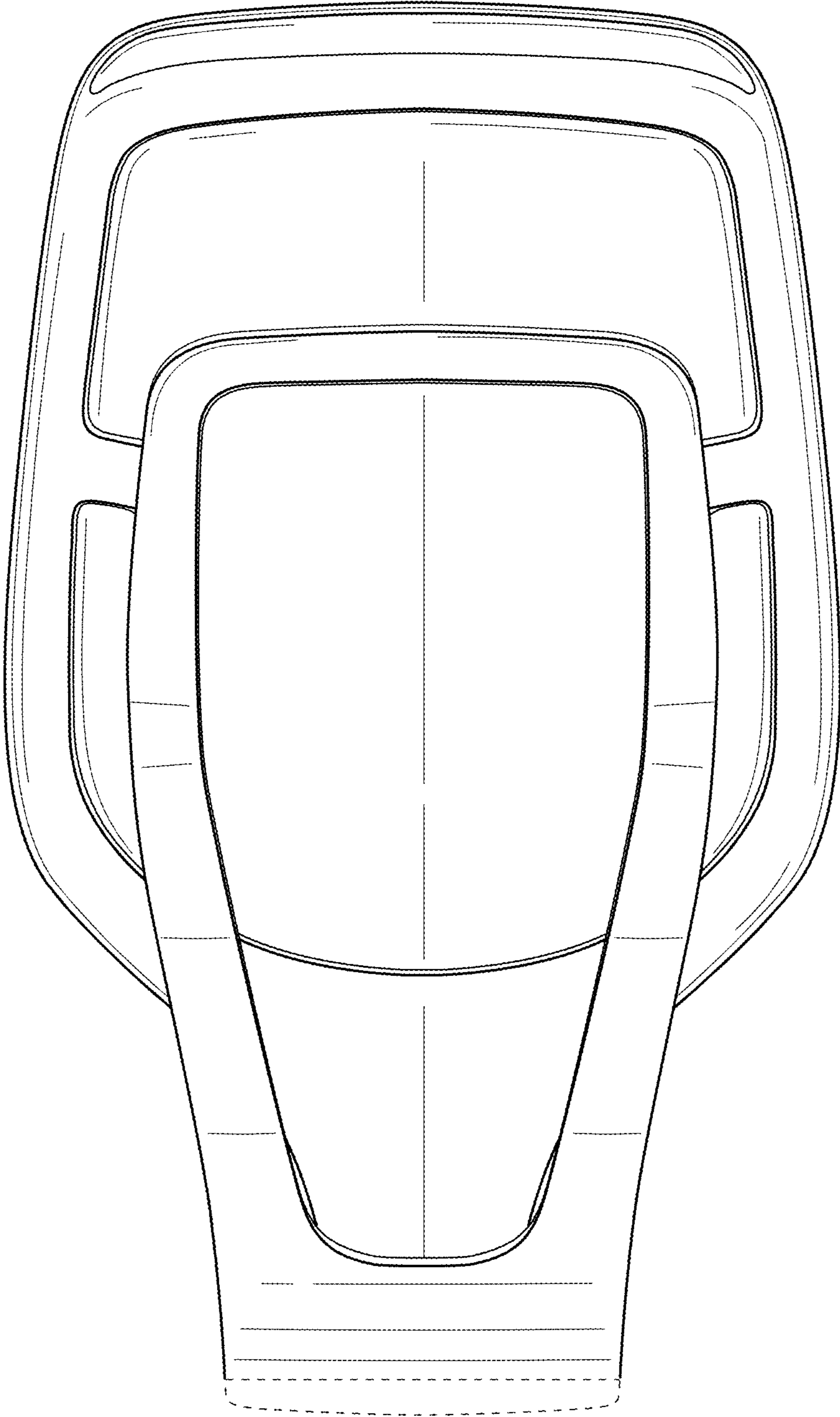


FIG. 7

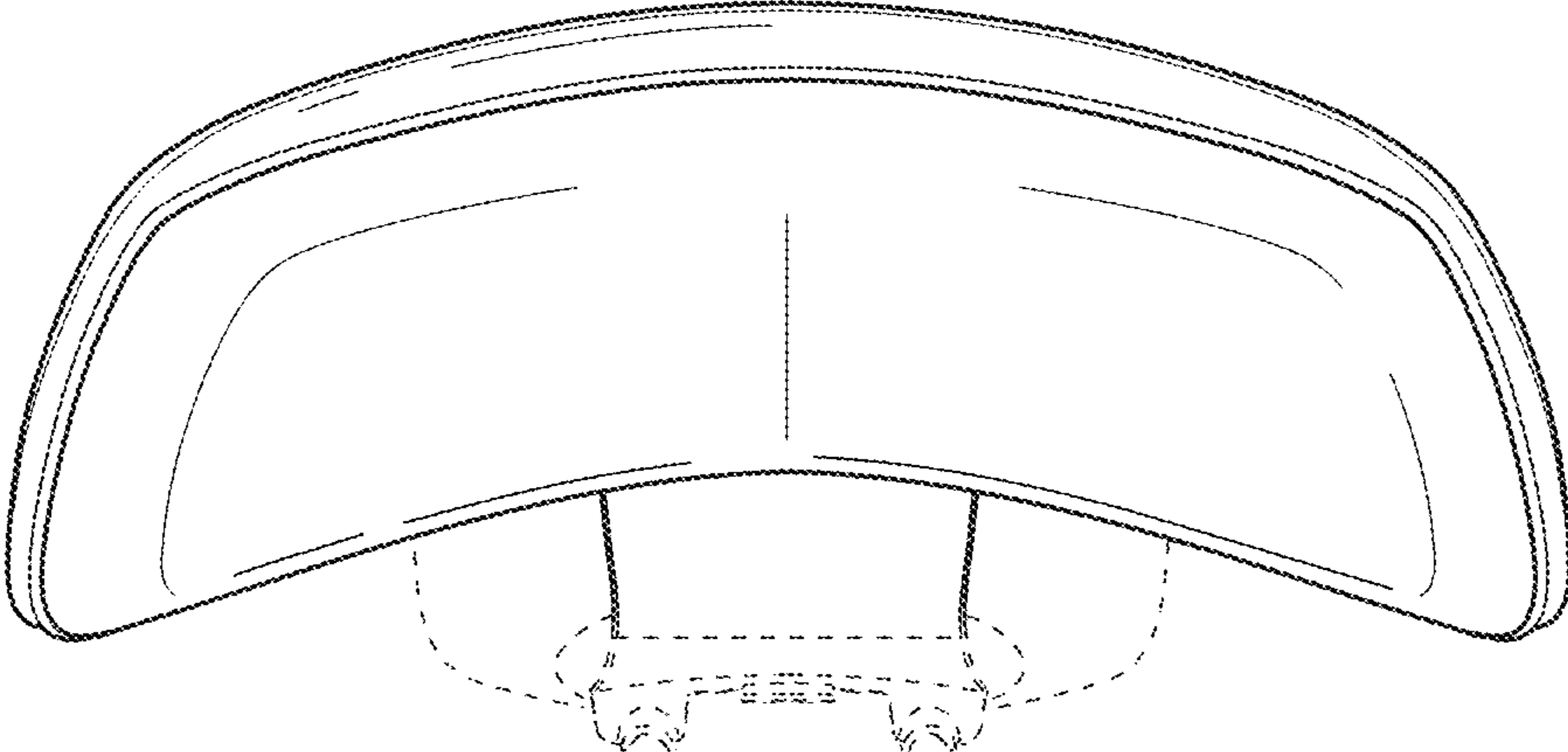


FIG. 8

