



US00D961316S

(12) **United States Design Patent** (10) **Patent No.:** **US D961,316 S**
Deevers et al. (45) **Date of Patent:** **** *Aug. 23, 2022**

(54) **CHAIR**

(56)

References Cited

(71) Applicant: **Steelcase Inc.**, Grand Rapids, MI (US)

U.S. PATENT DOCUMENTS

(72) Inventors: **Nickolaus William Charles Deevers**, E Grand Rapids, MI (US); **Kurt R. Heidmann**, Grand Rapids, MI (US); **Gordon J. Peterson**, Rockford, MI (US); **Mark Spoelhof**, Grand Rapids, MI (US); **James Ludwig**, Grand Rapids, MI (US); **Alyssa Anne Robert**, Kentwood, MI (US)

3,041,109 A	6/1962	Eames et al.
3,606,464 A	9/1971	Arbuthnot
4,545,614 A	10/1985	Abu-Isa et al.
4,555,136 A	11/1985	Dranger
4,555,139 A	11/1985	Leib
4,826,249 A	5/1989	Bradbury
4,869,554 A	9/1989	Abu-Isa et al.
5,354,120 A	10/1994	Völkle
5,457,968 A	10/1995	McClintock et al.
5,795,026 A	8/1998	Dral
5,855,991 A	1/1999	McLarty, III
6,050,646 A	4/2000	Stenzel et al.
6,341,822 B2	1/2002	Apissomian
6,632,756 B1	10/2003	Waldrop et al.
D487,359 S	3/2004	Giugiaro
6,729,691 B2	5/2004	Koepke et al.
6,749,261 B2	6/2004	Knoblock et al.
D496,813 S	10/2004	Nakajima
6,814,412 B2	11/2004	Cramb, III et al.
6,951,370 B1	10/2005	Hsu
6,983,997 B2	1/2006	Wilkerson et al.
D517,820 S	3/2006	Citterio
7,055,911 B2	6/2006	Simpson et al.
D527,920 S	9/2006	Giugiaro
D528,811 S	9/2006	Giugiaro
7,159,943 B2	1/2007	Costaglia
D549,975 S	9/2007	Fancelli
D555,377 S	11/2007	Pensi
D557,917 S	12/2007	Nakamura
D576,809 S	9/2008	Christianson et al.
7,425,039 B2	9/2008	Lin
7,441,839 B2	10/2008	Pennington et al.
7,568,765 B2	8/2009	Bräuning
7,712,833 B2	5/2010	Ueda
7,837,272 B2	11/2010	Masunaga et al.
D641,983 S	7/2011	Hazzard
D646,088 S	10/2011	Ballendat
8,087,727 B2	1/2012	Parker et al.
8,113,582 B2	2/2012	Liu
D658,904 S	5/2012	Chen
D663,129 S	7/2012	Greutmann
8,251,448 B2	8/2012	Machael
D675,456 S	2/2013	Sexton
D683,150 S	5/2013	Smith et al.
D683,151 S	5/2013	Smith et al.

(73) Assignee: **STEELCASE INC.**, Grand Rapids, MI (US)

(*) Notice: This patent is subject to a terminal disclaimer.

(**) Term: **15 Years**

(21) Appl. No.: **29/814,815**

(22) Filed: **Nov. 9, 2021**

Related U.S. Application Data

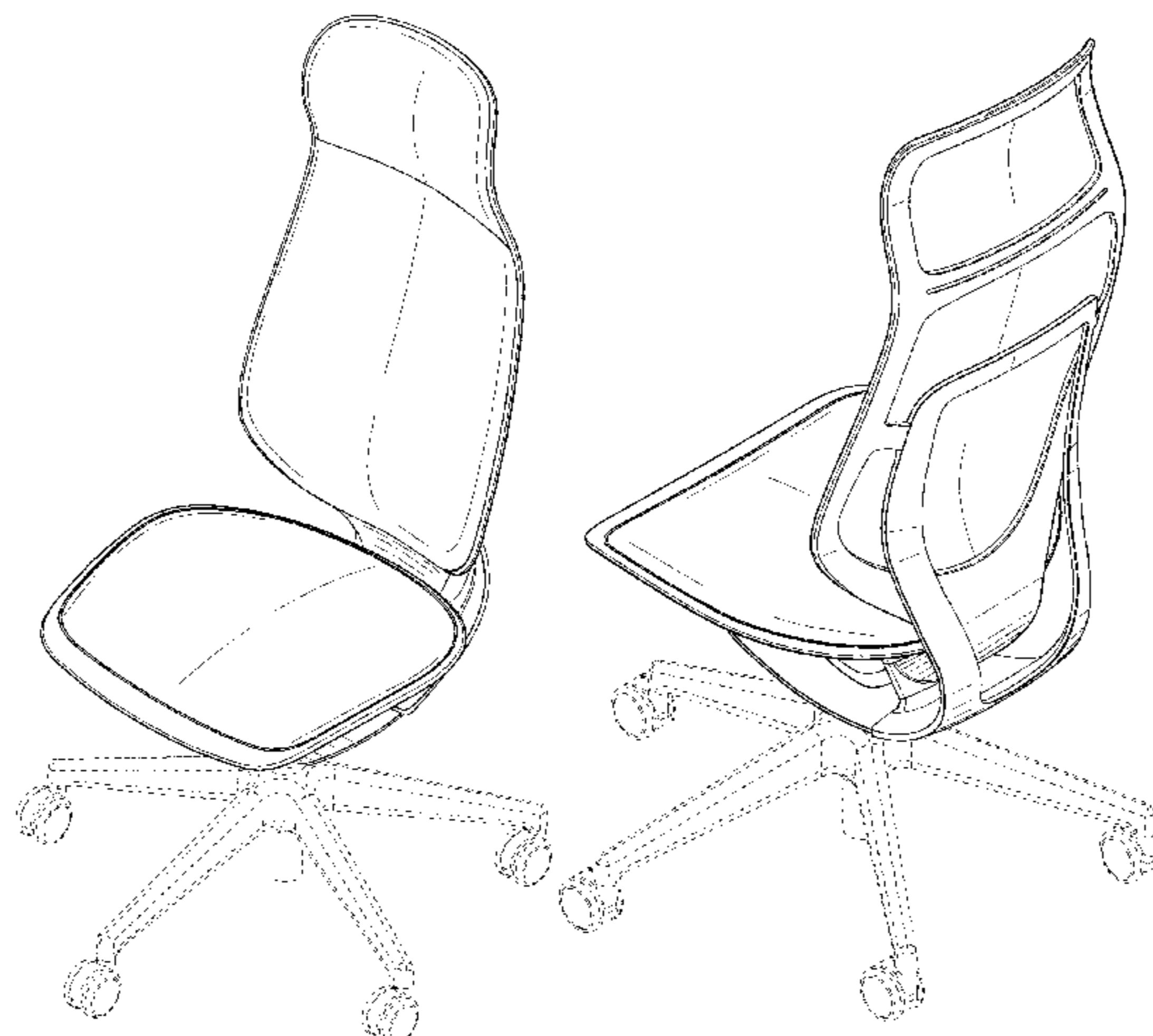
(63) Continuation of application No. 29/724,810, filed on Feb. 19, 2020, now Pat. No. Des. 936,984.

(51) **LOC (13) Cl.** **06-01**

(52) **U.S. Cl.**
USPC **D6/716**

(58) **Field of Classification Search**
USPC D6/334, 366, 367, 372, 373, 374, 379, D6/380, 716.1, 716.4
CPC A47C 1/02; A47C 1/022; A47C 1/024; A47C 3/12; A47C 3/18; A47C 3/026; A47C 7/18; A47C 7/36; A47C 7/40; A47C 7/46

See application file for complete search history.



US D961,316 S

D688,497 S 8/2013 Smith et al.
 D688,498 S 8/2013 Smith et al.
 D688,499 S 8/2013 Smith et al.
 D688,500 S 8/2013 Smith et al.
 D688,501 S 8/2013 Smith et al.
 D688,503 S 8/2013 Smith et al.
 D688,504 S 8/2013 Smith et al.
 D688,505 S 8/2013 Smith et al.
 D689,312 S 9/2013 Smith et al.
 D689,313 S 9/2013 Smith et al.
 D689,314 S 9/2013 Smith et al.
 D689,317 S 9/2013 Smith et al.
 D689,318 S 9/2013 Smith et al.
 D690,146 S 9/2013 Smith et al.
 D690,547 S 10/2013 Smith et al.
 D694,536 S 12/2013 Smith et al.
 D694,537 S 12/2013 Smith et al.
 D694,538 S 12/2013 Smith et al.
 D694,539 S 12/2013 Smith et al.
 D694,540 S 12/2013 Smith et al.
 D695,034 S 12/2013 Smith et al.
 D695,538 S * 12/2013 Geelen D6/366
 D697,726 S 1/2014 Smith et al.
 D697,728 S 1/2014 Smith et al.
 D697,729 S 1/2014 Smith et al.
 D697,730 S 1/2014 Smith et al.
 D698,164 S 1/2014 Smith et al.
 D698,165 S 1/2014 Smith et al.
 D698,166 S 1/2014 Smith et al.
 D699,957 S 2/2014 Smith et al.
 D699,958 S 2/2014 Smith et al.
 D699,959 S 2/2014 Smith et al.
 D699,994 S 2/2014 Smith et al.
 D701,053 S 3/2014 Smith et al.
 8,690,249 B2 4/2014 Kang et al.
 D707,976 S 7/2014 Smith
 D708,882 S 7/2014 Hsuan-Chin
 8,794,701 B2 8/2014 Nakayama et al.
 8,998,339 B2 4/2015 Peterson et al.
 D733,445 S 7/2015 Izawa et al.
 D742,676 S 11/2015 Smith et al.
 D742,677 S 11/2015 Smith et al.
 D742,678 S 11/2015 Smith et al.
 D750,406 S 3/2016 Smith et al.
 9,560,917 B2 2/2017 Roslund, Jr.
 D781,604 S 3/2017 Smith et al.
 D781,605 S 3/2017 Smith et al.
 9,622,579 B2 4/2017 Wilkinson et al.
 9,648,957 B2 5/2017 Su
 D792,717 S 7/2017 Webb
 D801,717 S * 11/2017 Barber D6/366
 D802,951 S 11/2017 Ludwig et al.
 D802,952 S 11/2017 Ludwig et al.
 D804,209 S 12/2017 Ludwig et al.
 D804,839 S 12/2017 Ludwig et al.
 D804,840 S 12/2017 Ludwig et al.
 D804,841 S 12/2017 Ludwig et al.
 D804,875 S 12/2017 Ludwig et al.
 D804,876 S 12/2017 Ludwig et al.
 D808,187 S 1/2018 Ludwig et al.
 D821,793 S 7/2018 Ludwig et al.
 D834,844 S 12/2018 Chan et al.
 10,173,567 B2 1/2019 Madrigal et al.
 D852,525 S 7/2019 Peterson
 D852,526 S 7/2019 Peterson
 D863,802 S 10/2019 Wang
 D869,872 S 12/2019 Deevers
 D870,479 S 12/2019 Deevers et al.
 D873,043 S 1/2020 Su
 D873,576 S 1/2020 Engelhardt
 D874,202 S 2/2020 Schmitz et al.
 D878,789 S 3/2020 Wang
 D879,523 S 3/2020 Lampela et al.
 D880,885 S 4/2020 Li
 D881,621 S 4/2020 Jin et al.

10,617,226 B1 4/2020 Liao
 D883,690 S 5/2020 Dassen
 D883,691 S 5/2020 Dassen
 D887,157 S 6/2020 Holbrook
 D899,836 S 10/2020 Chu
 D902,614 S 11/2020 Peng
 D903,353 S 12/2020 Meda
 D906,711 S 1/2021 Li
 D907,935 S 1/2021 Deevers
 D908,381 S 1/2021 Breen
 D912,419 S 3/2021 Chen
 D931,640 S * 9/2021 Feng D6/366
 D936,984 S * 11/2021 Deevers D6/366
 D936,985 S * 11/2021 Deevers D6/366
 D937,024 S * 11/2021 Deevers D6/716.4
 D937,595 S * 12/2021 Deevers D6/366
 2003/0189367 A1 10/2003 Erker
 2007/0057560 A1 3/2007 Fookes
 2007/0108821 A1 5/2007 Ueda
 2008/0100121 A1 5/2008 Serber
 2009/0018833 A1 1/2009 Kozat et al.
 2009/0261644 A1 10/2009 Piretti
 2011/0233979 A1 9/2011 An
 2013/0341980 A1 12/2013 Halliday et al.
 2014/0077429 A1 3/2014 Battey
 2014/0077541 A1 3/2014 Krupiczewicz
 2014/0077548 A1 3/2014 Peterson
 2016/0220025 A1 8/2016 Piretti
 2018/0310721 A1 11/2018 Schmitz et al.
 2020/0085194 A1 3/2020 Maier et al.
 2020/0305610 A1 10/2020 Bock

FOREIGN PATENT DOCUMENTS

JP 2012085897 A 5/2012
 JP 2013-132403 A 7/2013
 JP 2020062346 A 4/2020

OTHER PUBLICATIONS

Sedus brochure, “se:motion, Office swivel chair for agile working”, obtained from the Internet at: www.sedus.com, not dated, 20 pgs.

* cited by examiner

Primary Examiner — R. Johnson
 (74) *Attorney, Agent, or Firm* — Crowell & Moring LLP

(57) CLAIM

The ornamental design for a chair, as shown and described.

DESCRIPTION

FIG. 1 is a front perspective view of a chair;
 FIG. 2 is a rear perspective view of the chair shown in FIG. 1;
 FIG. 3 is a right side view of the chair shown in FIG. 1;
 FIG. 4 is a left side view of the chair shown in FIG. 1;
 FIG. 5 is front view of the chair shown in FIG. 1;
 FIG. 6 is a rear view of the chair shown in FIG. 1;
 FIG. 7 is a top view of the chair shown in FIG. 1; and,
 FIG. 8 is a bottom view of the chair shown in FIG. 1.
 The broken lines showing the base and the controls in FIGS. 1-8 are directed to environment and are for illustrative purposes only; the broken lines form no part of the claimed design.

1 Claim, 8 Drawing Sheets

FIG. 1

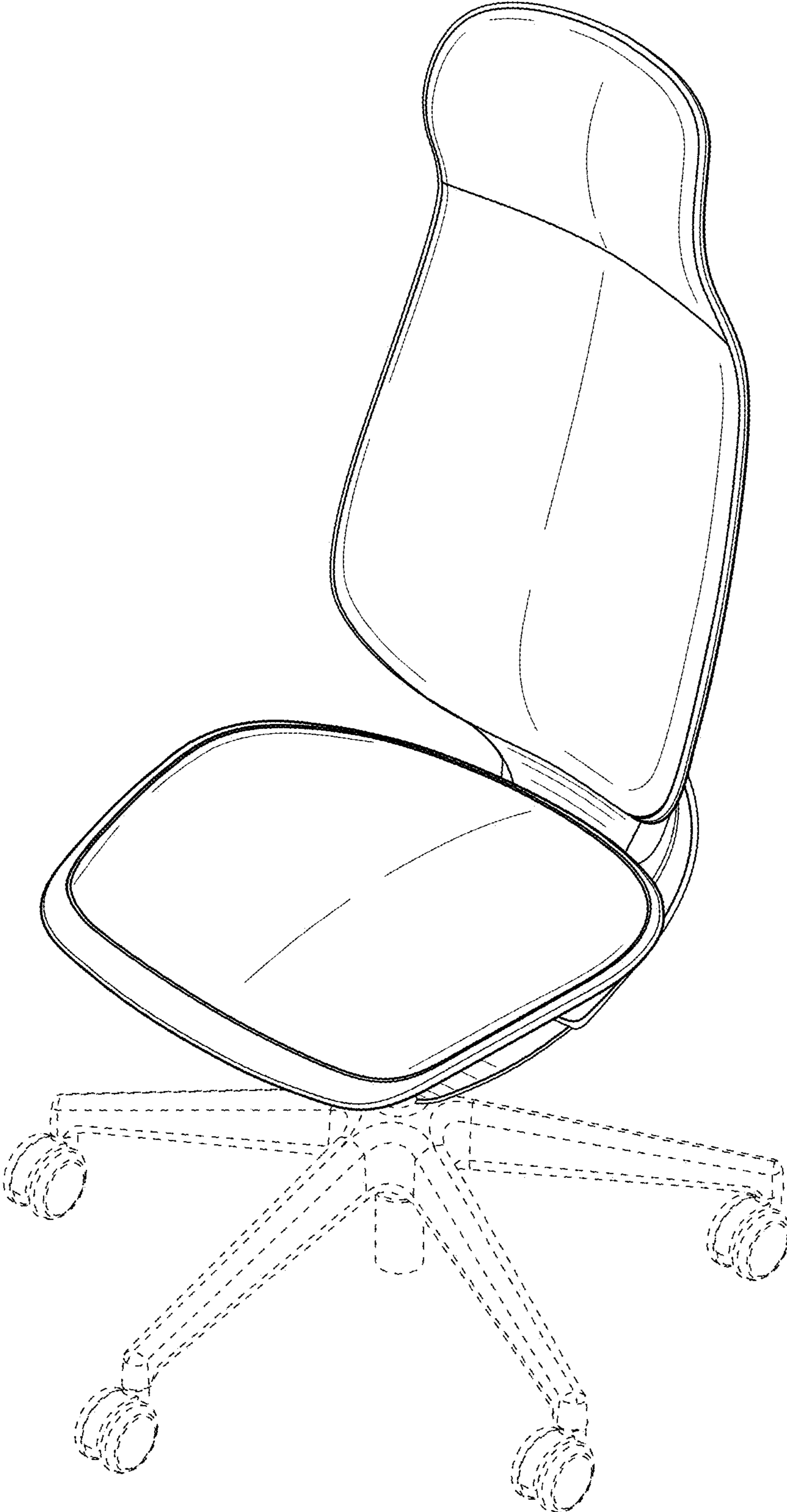


FIG. 2

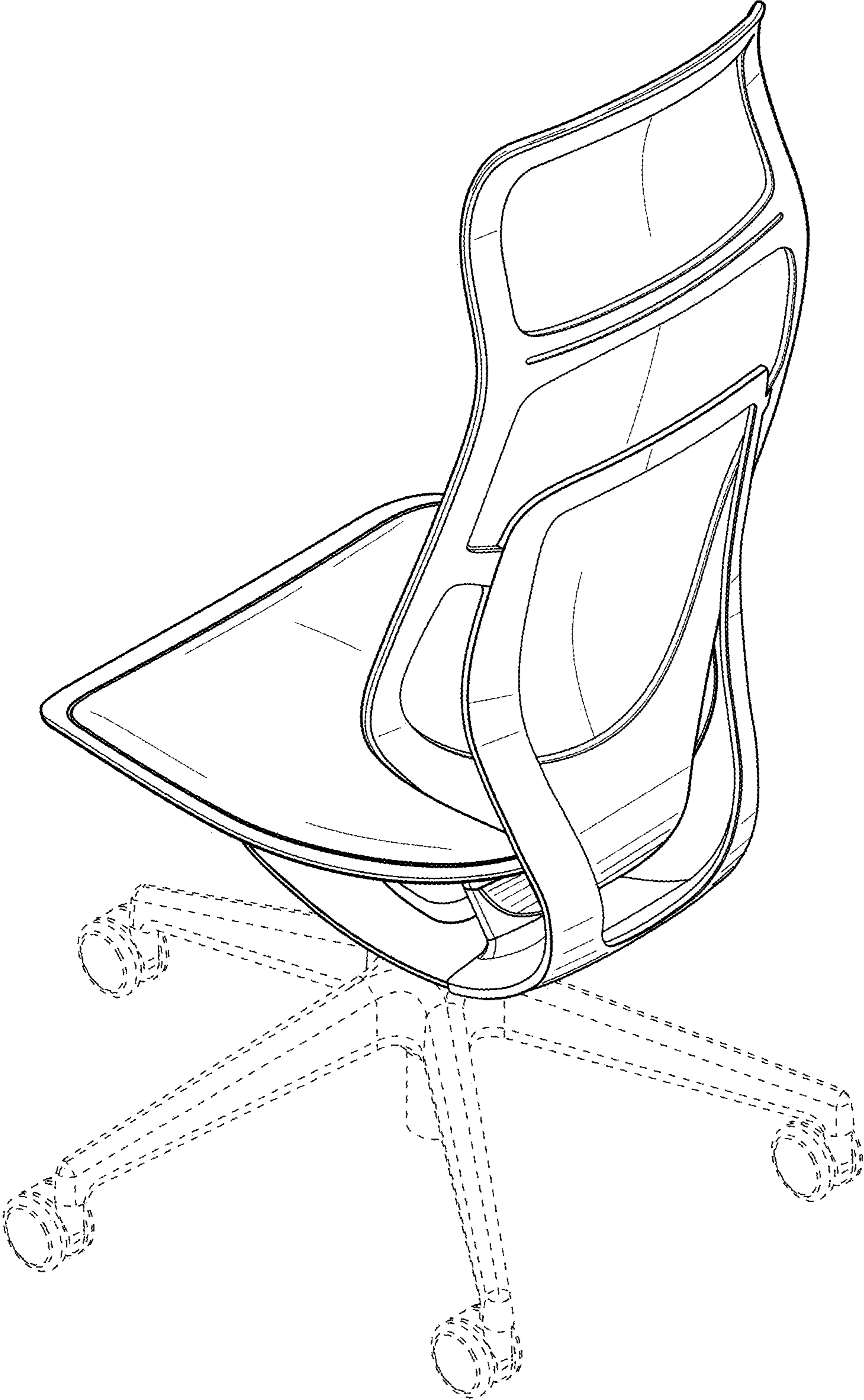


FIG. 3

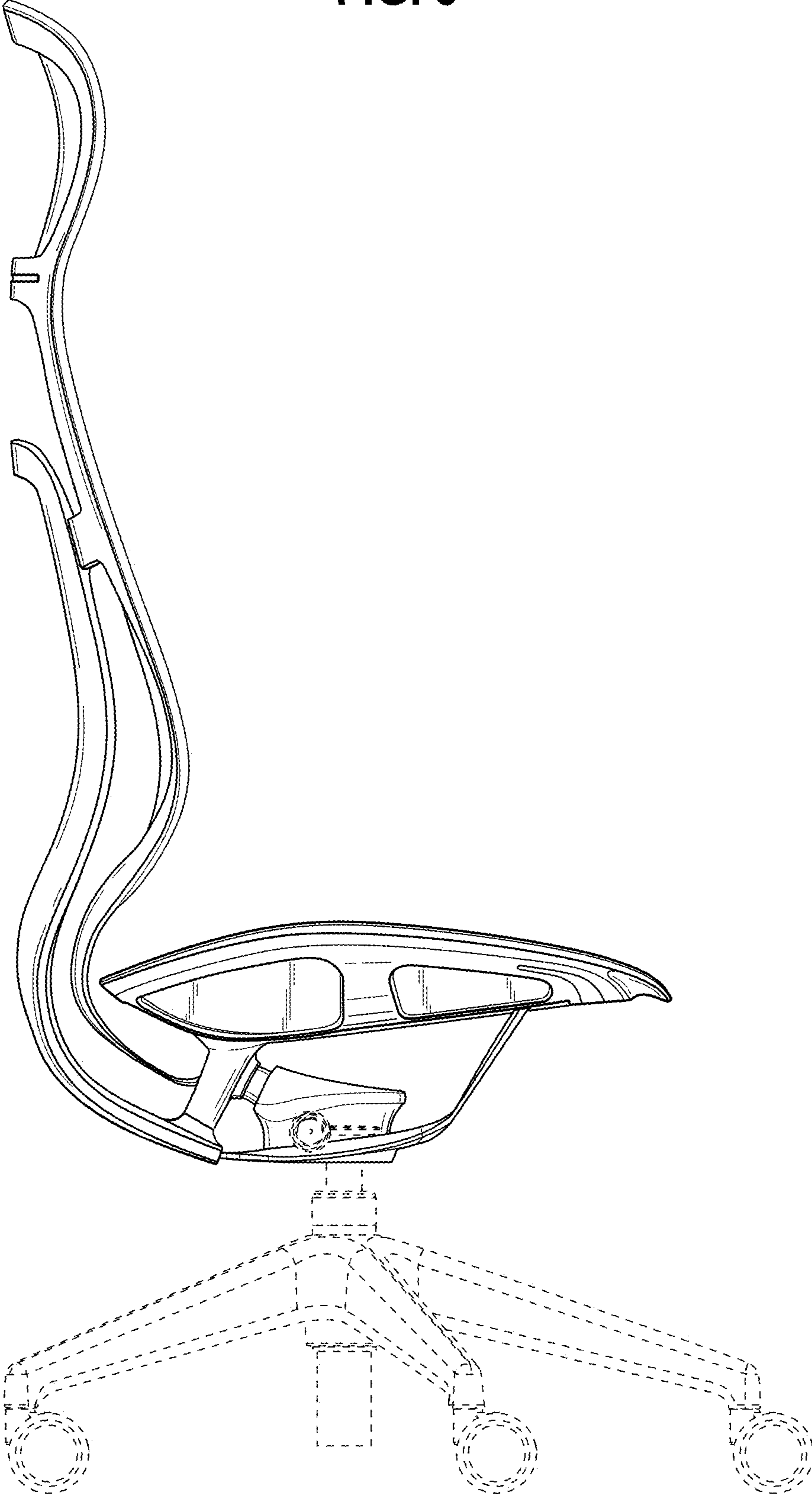


FIG. 4

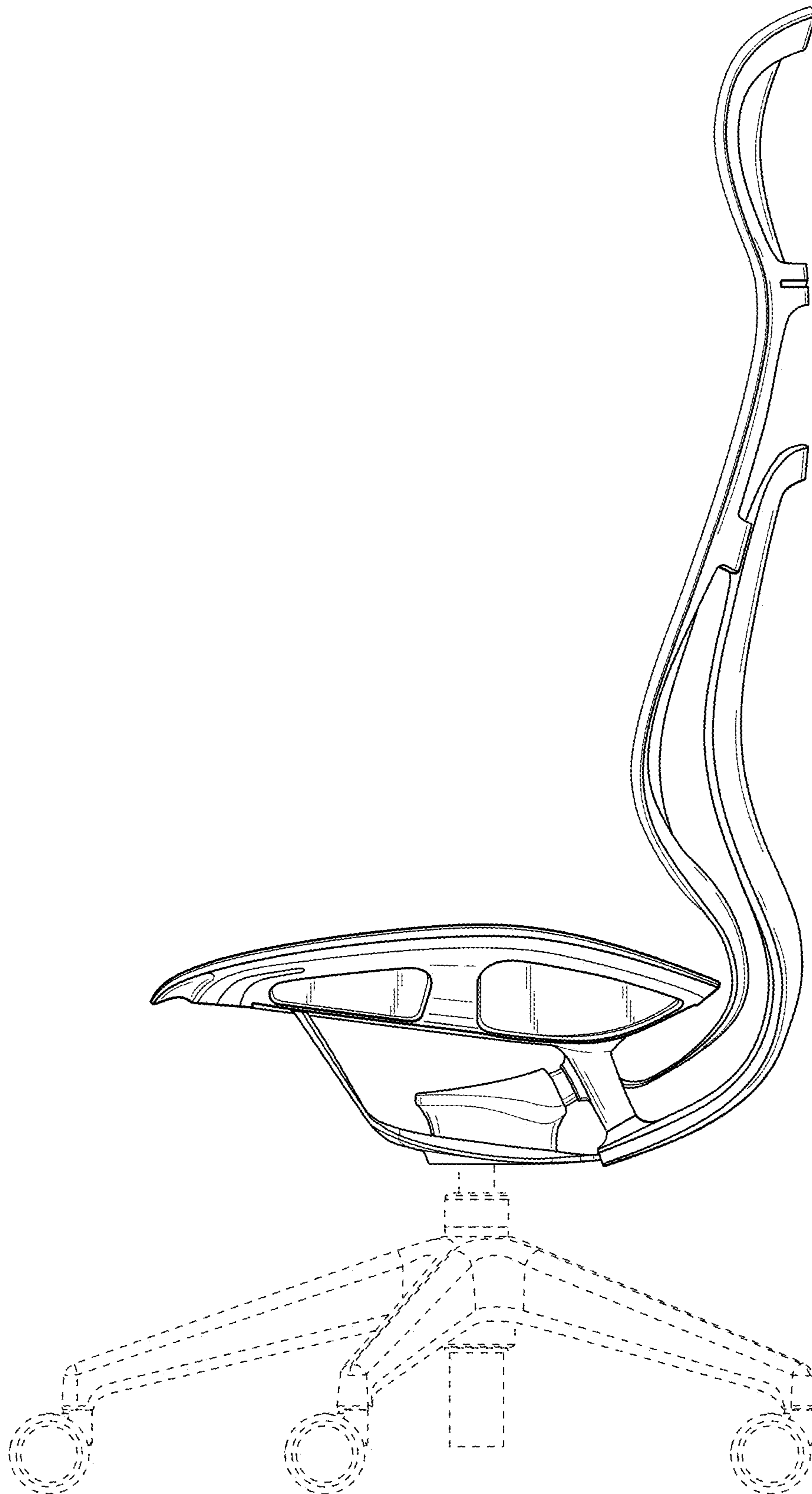


FIG. 5

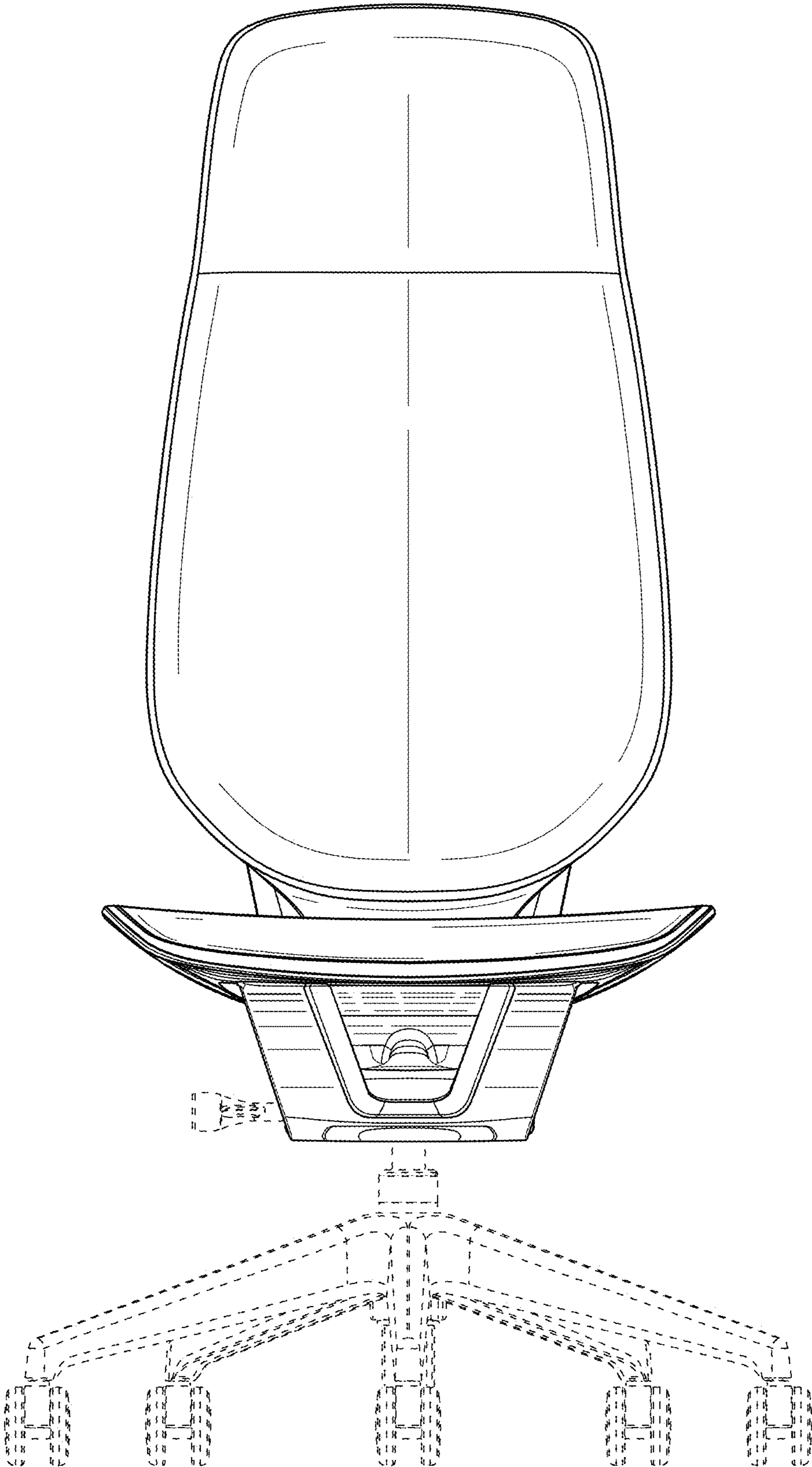


FIG. 6

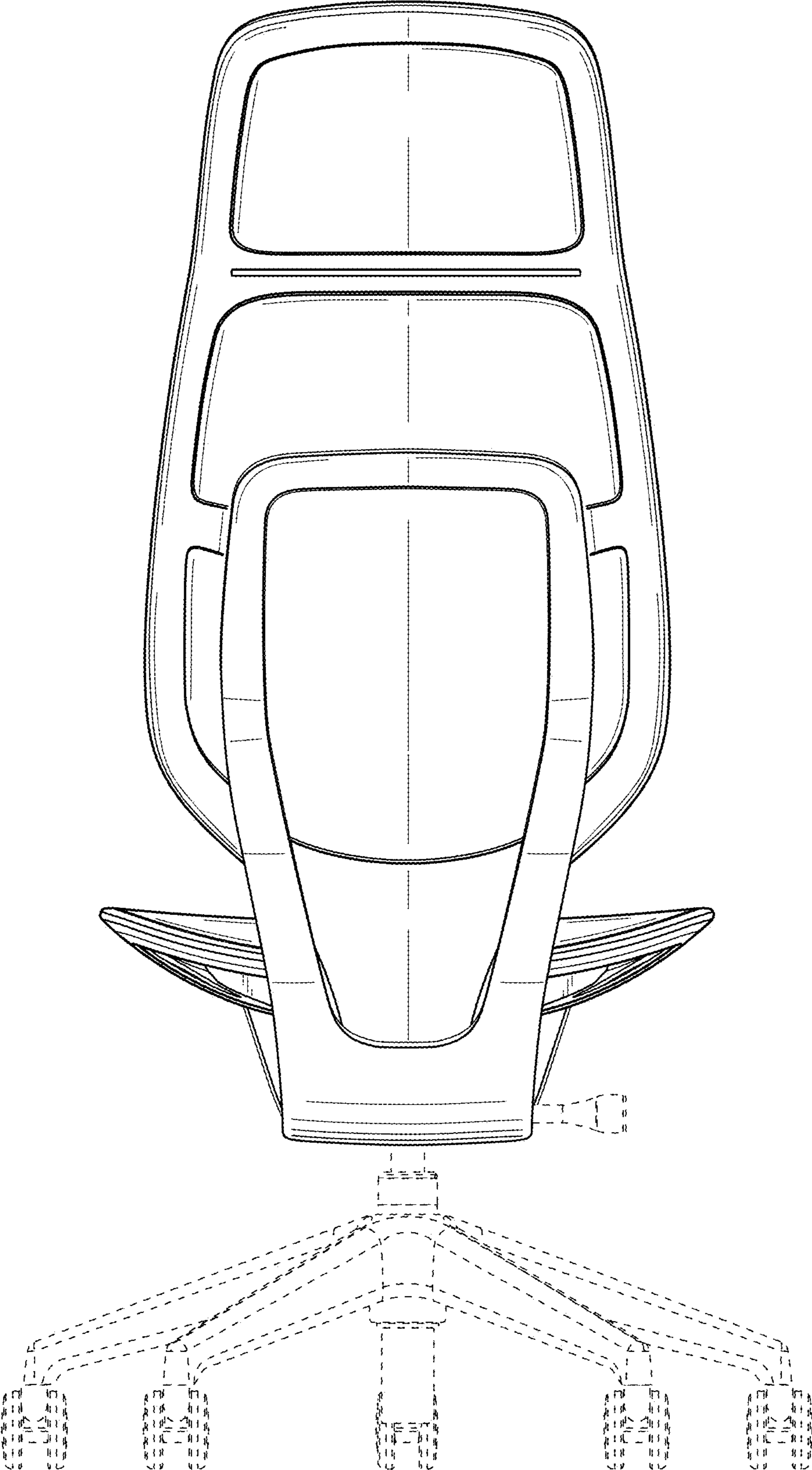


FIG. 7

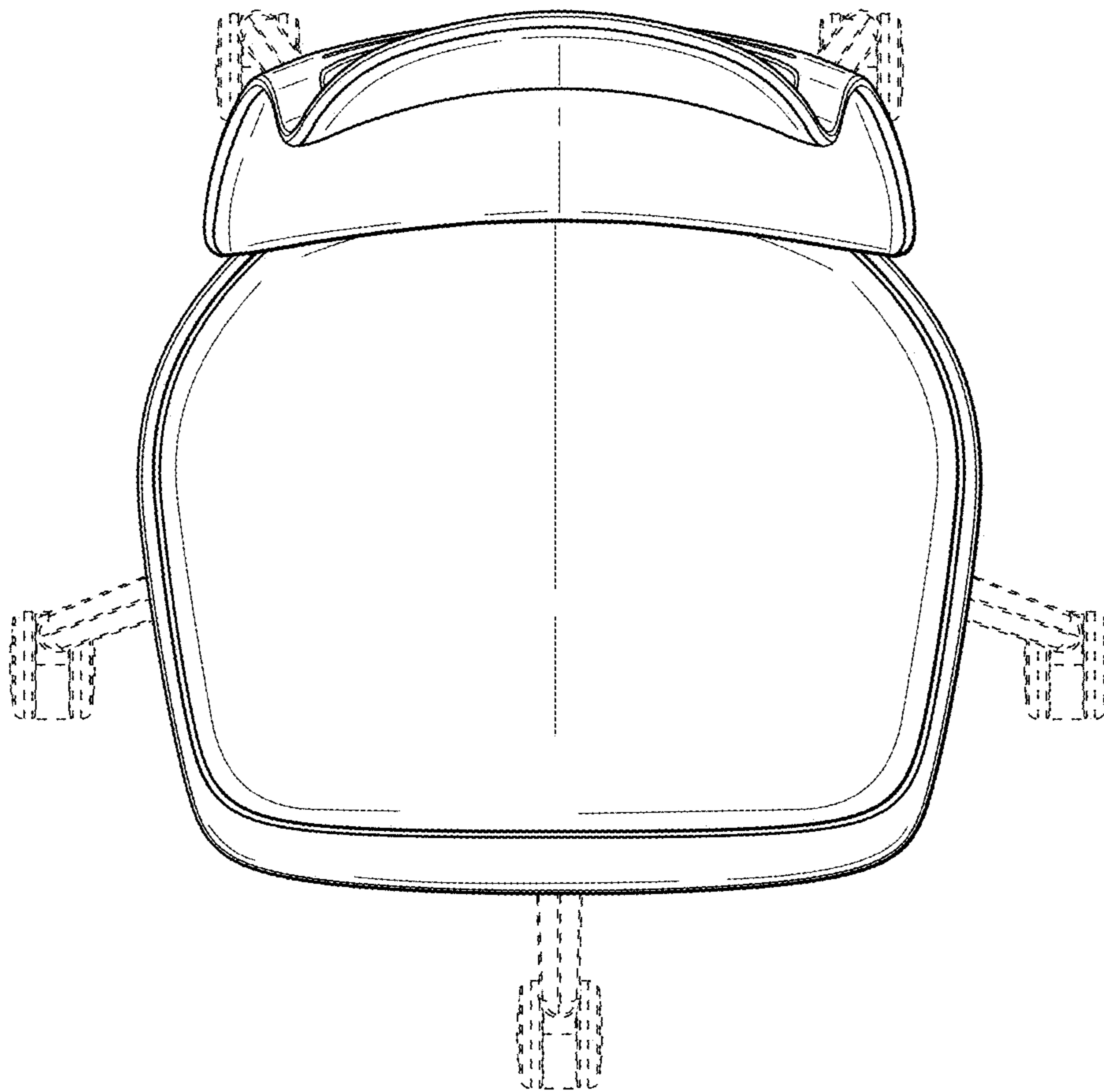


FIG. 8

