



US00D961315S

(12) **United States Design Patent**
Deevers et al.

(10) **Patent No.:** **US D961,315 S**

(45) **Date of Patent:** **** *Aug. 23, 2022**

(54) **CHAIR**

(71) Applicant: **Steelcase Inc.**, Grand Rapids, MI (US)

(72) Inventors: **Nickolaus William Charles Deevers**, E Grand Rapids, MI (US); **Kurt R. Heidmann**, Grand Rapids, MI (US); **Gordon J. Peterson**, Rockford, MI (US); **Mark Spoelhof**, Grand Rapids, MI (US); **James Ludwig**, Grand Rapids, MI (US)

(73) Assignee: **STEELCASE INC.**, Grand Rapids, MI (US)

(*) Notice: This patent is subject to a terminal disclaimer.

(**) Term: **15 Years**

(21) Appl. No.: **29/814,801**

(22) Filed: **Nov. 9, 2021**

Related U.S. Application Data

(63) Continuation of application No. 29/724,792, filed on Feb. 19, 2020.

(51) **LOC (13) Cl.** **06-01**

(52) **U.S. Cl.**
USPC **D6/716**

(58) **Field of Classification Search**
USPC D6/334, 366, 367, 372, 373, 374, 379, D6/380, 716.1, 716.4
CPC A47C 1/02; A47C 1/022; A47C 1/024; A47C 3/12; A47C 3/18; A47C 3/026; A47C 7/18; A47C 7/36; A47C 7/40; A47C 7/46
See application file for complete search history.

(56) **References Cited**

U.S. PATENT DOCUMENTS

3,041,109 A 6/1962 Eames et al.
3,606,464 A 9/1971 Arbuthnot

4,545,614 A 10/1985 Abu-Isa et al.
4,555,136 A 11/1985 Dranger
4,555,139 A 11/1985 Leib
4,826,249 A 5/1989 Bradbury
4,869,554 A 9/1989 Abu-Isa et al.
5,354,120 A 10/1994 Völke
5,457,968 A 10/1995 McClintock et al.

(Continued)

FOREIGN PATENT DOCUMENTS

JP 2012085897 A 5/2012
JP 2013-132403 A 7/2013
JP 2020062346 A 4/2020

OTHER PUBLICATIONS

Sedus brochure, "se:motion, Office swivel chair for agile working", obtained from the Internet at: www.sedus.com, not dated, 20 pgs.

Primary Examiner — R. Johnson

(74) *Attorney, Agent, or Firm* — Crowell & Moring LLP

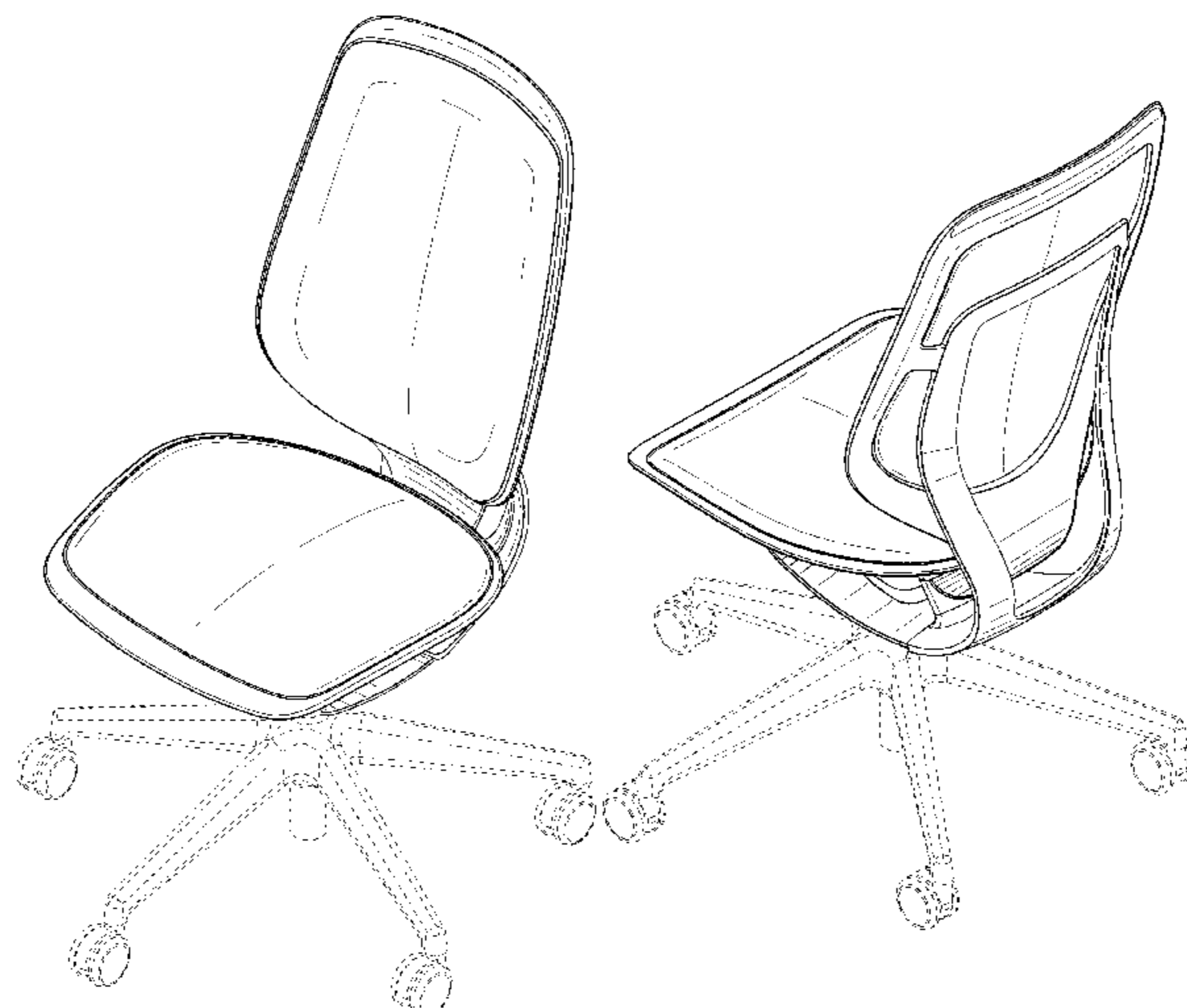
(57) **CLAIM**

The ornamental design for a chair, as shown and described.

DESCRIPTION

FIG. 1 is a front perspective view of a chair; FIG. 2 is a rear perspective view of the chair shown in FIG. 1; FIG. 3 is a right side view of the chair shown in FIG. 1; FIG. 4 is a left side view of the chair shown in FIG. 1; FIG. 5 is front view of the chair shown in FIG. 1; FIG. 6 is a rear view of the chair shown in FIG. 1; FIG. 7 is a top view of the chair shown in FIG. 1; and, FIG. 8 is a bottom view of the chair shown in FIG. 1. The broken lines showing the base and the controls in FIGS. 1-8 are directed to environment and are for illustrative purposes only; the broken lines form no part of the claimed design.

1 Claim, 8 Drawing Sheets



(56)

References Cited

U.S. PATENT DOCUMENTS

5,795,026 A 8/1998 Dral
 5,855,991 A 1/1999 McLarty, III
 D412,417 S * 8/1999 Jenkins D6/716
 6,050,646 A 4/2000 Stenzel et al.
 6,341,822 B2 1/2002 Apissomian
 6,632,756 B1 10/2003 Waldrop et al.
 D487,359 S 3/2004 Giugiaro
 6,729,691 B2 5/2004 Koepke et al.
 6,749,261 B2 6/2004 Knoblock et al.
 D496,813 S 10/2004 Nakajima
 6,814,412 B2 11/2004 Cramb, III et al.
 6,951,370 B1 10/2005 Hsu
 6,983,997 B2 1/2006 Wilkerson et al.
 D517,820 S 3/2006 Citterio
 7,055,911 B2 6/2006 Simpson et al.
 D527,920 S 9/2006 Giugiaro
 D528,811 S 9/2006 Giugiaro
 7,159,943 B2 1/2007 Costaglia
 D549,975 S 9/2007 Fancelli
 D555,377 S 11/2007 Pensi
 D557,917 S 12/2007 Nakamura
 D576,809 S 9/2008 Christianson et al.
 7,425,039 B2 9/2008 Lin
 7,441,839 B2 10/2008 Pennington et al.
 7,568,765 B2 8/2009 Bräuning
 7,712,833 B2 5/2010 Ueda
 7,837,272 B2 11/2010 Masunaga et al.
 D641,983 S 7/2011 Hazzard
 D646,088 S 10/2011 Ballendat
 8,087,727 B2 1/2012 Parker et al.
 8,113,582 B2 2/2012 Liu
 D658,904 S 5/2012 Chen
 D662,331 S * 6/2012 Czumaj-Bront D6/366
 D663,129 S 7/2012 Greutmann
 8,251,448 B2 8/2012 Machael
 D675,456 S 2/2013 Sexton
 D683,150 S 5/2013 Smith et al.
 D683,151 S 5/2013 Smith et al.
 D688,497 S 8/2013 Smith et al.
 D688,498 S 8/2013 Smith et al.
 D688,499 S 8/2013 Smith et al.
 D688,500 S 8/2013 Smith et al.
 D688,501 S 8/2013 Smith et al.
 D688,503 S 8/2013 Smith et al.
 D688,504 S 8/2013 Smith et al.
 D688,505 S 8/2013 Smith et al.
 D689,312 S 9/2013 Smith et al.
 D689,313 S 9/2013 Smith et al.
 D689,314 S 9/2013 Smith et al.
 D689,317 S 9/2013 Smith et al.
 D689,318 S 9/2013 Smith et al.
 D690,146 S 9/2013 Smith et al.
 D690,547 S 10/2013 Smith et al.
 D694,536 S 12/2013 Smith et al.
 D694,537 S 12/2013 Smith et al.
 D694,538 S 12/2013 Smith et al.
 D694,539 S 12/2013 Smith et al.
 D694,540 S 12/2013 Smith et al.
 D695,034 S 12/2013 Smith et al.
 D697,726 S 1/2014 Smith et al.
 D697,728 S 1/2014 Smith et al.
 D697,729 S 1/2014 Smith et al.
 D697,730 S 1/2014 Smith et al.
 D698,164 S 1/2014 Smith et al.
 D698,165 S 1/2014 Smith et al.
 D698,166 S 1/2014 Smith et al.
 D699,957 S 2/2014 Smith et al.
 D699,958 S 2/2014 Smith et al.
 D699,959 S 2/2014 Smith et al.
 D699,994 S 2/2014 Smith et al.
 D701,053 S 3/2014 Smith et al.
 8,690,249 B2 4/2014 Kang et al.
 D707,976 S 7/2014 Smith
 D708,882 S 7/2014 Hsuan-Chin

8,794,701 B2 8/2014 Nakayama et al.
 D727,076 S * 4/2015 Usumoto D6/716
 8,998,339 B2 4/2015 Peterson et al.
 D733,445 S 7/2015 Izawa et al.
 D742,676 S 11/2015 Smith et al.
 D742,677 S 11/2015 Smith et al.
 D742,678 S 11/2015 Smith et al.
 D750,406 S 3/2016 Smith et al.
 9,560,917 B2 2/2017 Roslund, Jr.
 D781,604 S 3/2017 Smith et al.
 D781,605 S 3/2017 Smith et al.
 9,622,579 B2 4/2017 Wilkinson et al.
 9,648,957 B2 5/2017 Su
 D792,717 S 7/2017 Webb
 D802,951 S 11/2017 Ludwig et al.
 D802,952 S 11/2017 Ludwig et al.
 D804,209 S 12/2017 Ludwig et al.
 D804,839 S 12/2017 Ludwig et al.
 D804,840 S 12/2017 Ludwig et al.
 D804,841 S 12/2017 Ludwig et al.
 D804,875 S 12/2017 Ludwig et al.
 D804,876 S 12/2017 Ludwig et al.
 D808,187 S 1/2018 Ludwig et al.
 D821,793 S 7/2018 Ludwig et al.
 D825,971 S 8/2018 Scagnellato
 D834,844 S 12/2018 Chan et al.
 10,173,567 B2 1/2019 Madrigal et al.
 D846,928 S * 4/2019 Brueske D6/716
 D851,418 S * 6/2019 Peterson D6/366
 D852,525 S 7/2019 Peterson
 D852,526 S 7/2019 Peterson
 D863,802 S 10/2019 Wang
 D869,872 S 12/2019 Deevers
 D870,479 S 12/2019 Deevers et al.
 D873,043 S 1/2020 Su
 D873,576 S 1/2020 Engelhardt
 D874,202 S 2/2020 Schmitz et al.
 D878,789 S 3/2020 Wang
 D879,523 S 3/2020 Lampela et al.
 D880,885 S 4/2020 Li
 D881,621 S 4/2020 Jin et al.
 10,617,226 B1 4/2020 Liao
 D883,690 S 5/2020 Dassen
 D883,691 S 5/2020 Dassen
 D887,157 S 6/2020 Holbrook
 D890,537 S * 7/2020 Urquiola D6/366
 D899,836 S 10/2020 Chu
 D902,614 S 11/2020 Peng
 D903,353 S 12/2020 Meda
 D906,711 S 1/2021 Li
 D907,935 S 1/2021 Deevers
 D908,381 S 1/2021 Breen
 D912,419 S 3/2021 Chen
 D912,422 S * 3/2021 Li D6/366
 D921,409 S * 6/2021 Deevers D6/716
 D937,592 S * 12/2021 Ni D6/366
 D937,593 S * 12/2021 Ni D6/366
 D937,595 S * 12/2021 Deevers D6/366
 2003/0189367 A1 10/2003 Erker
 2007/0057560 A1 3/2007 Fookes
 2007/0108821 A1 5/2007 Ueda
 2008/0100121 A1 5/2008 Serber
 2009/0018833 A1 1/2009 Kozat et al.
 2009/0261644 A1 10/2009 Piretti
 2011/0233979 A1 9/2011 An
 2013/0341980 A1 12/2013 Halliday et al.
 2014/0077429 A1 3/2014 Battey
 2014/0077541 A1 3/2014 Krupiczewicz
 2014/0077542 A1 * 3/2014 Vander Veen A47C 1/03274
 297/228.11
 2014/0077548 A1 3/2014 Peterson
 2016/0220025 A1 8/2016 Piretti
 2018/0310721 A1 11/2018 Schmitz et al.
 2020/0085194 A1 3/2020 Maier et al.
 2020/0305610 A1 10/2020 Bock

* cited by examiner

FIG. 1

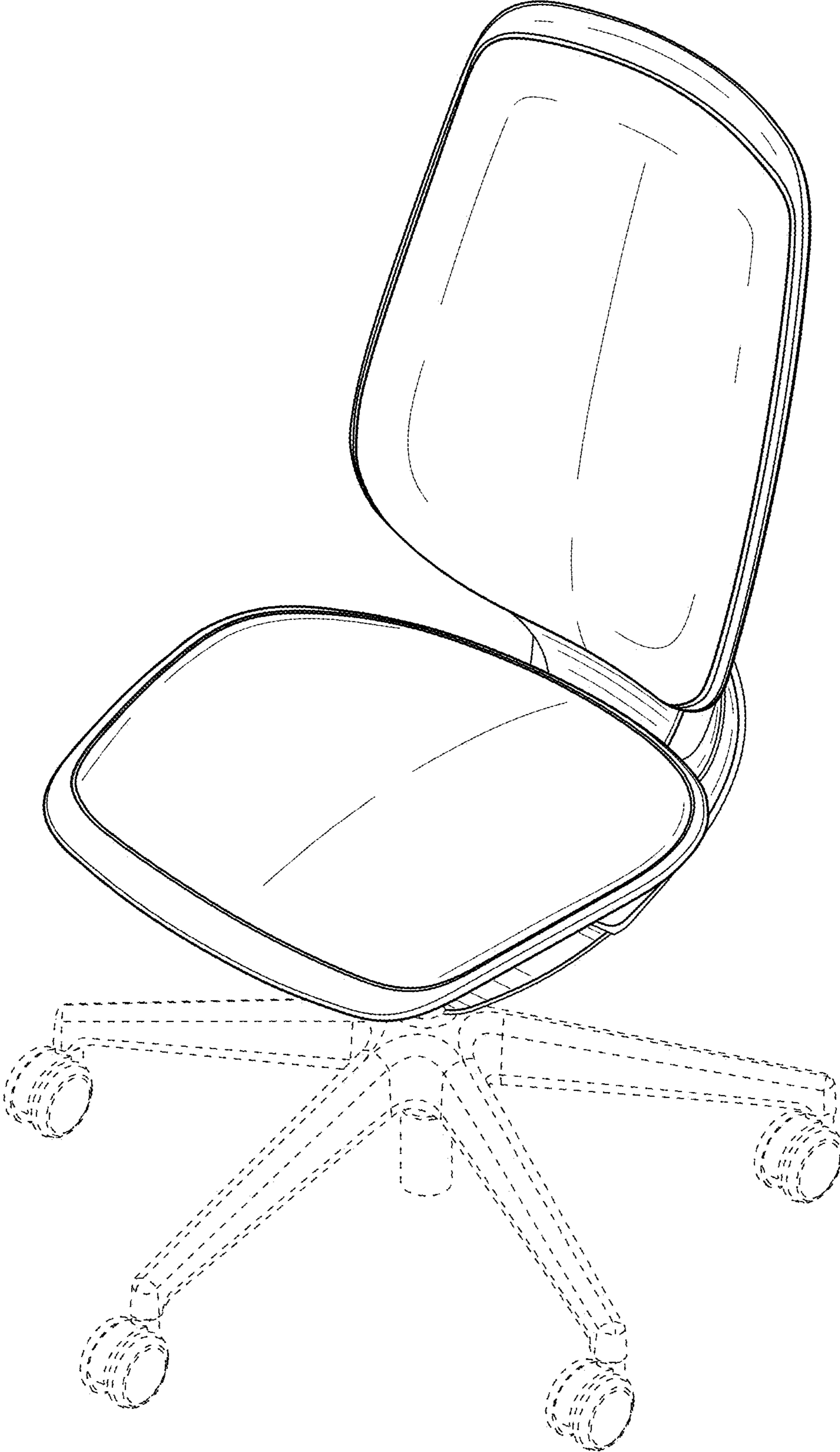


FIG. 2

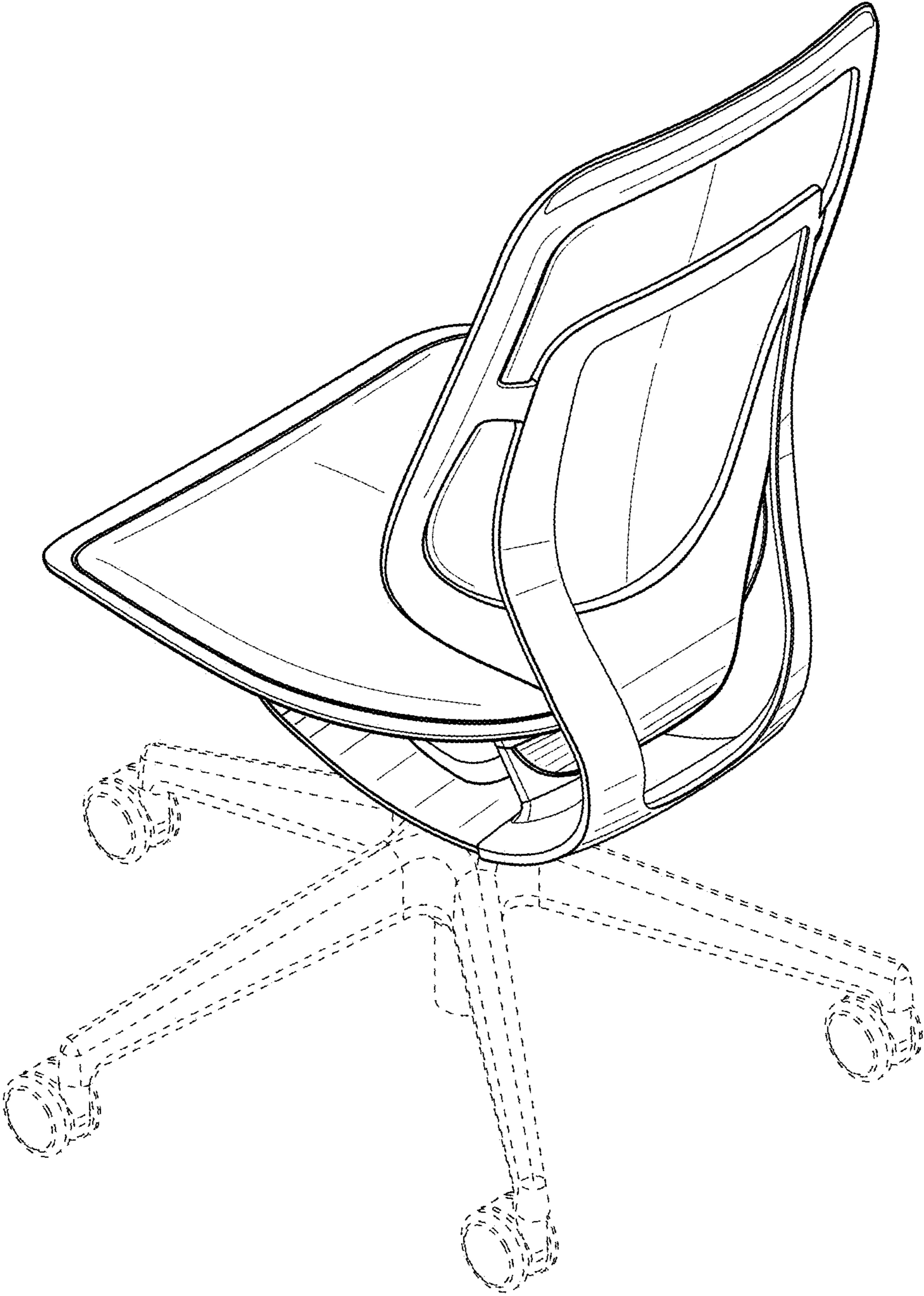


FIG. 3

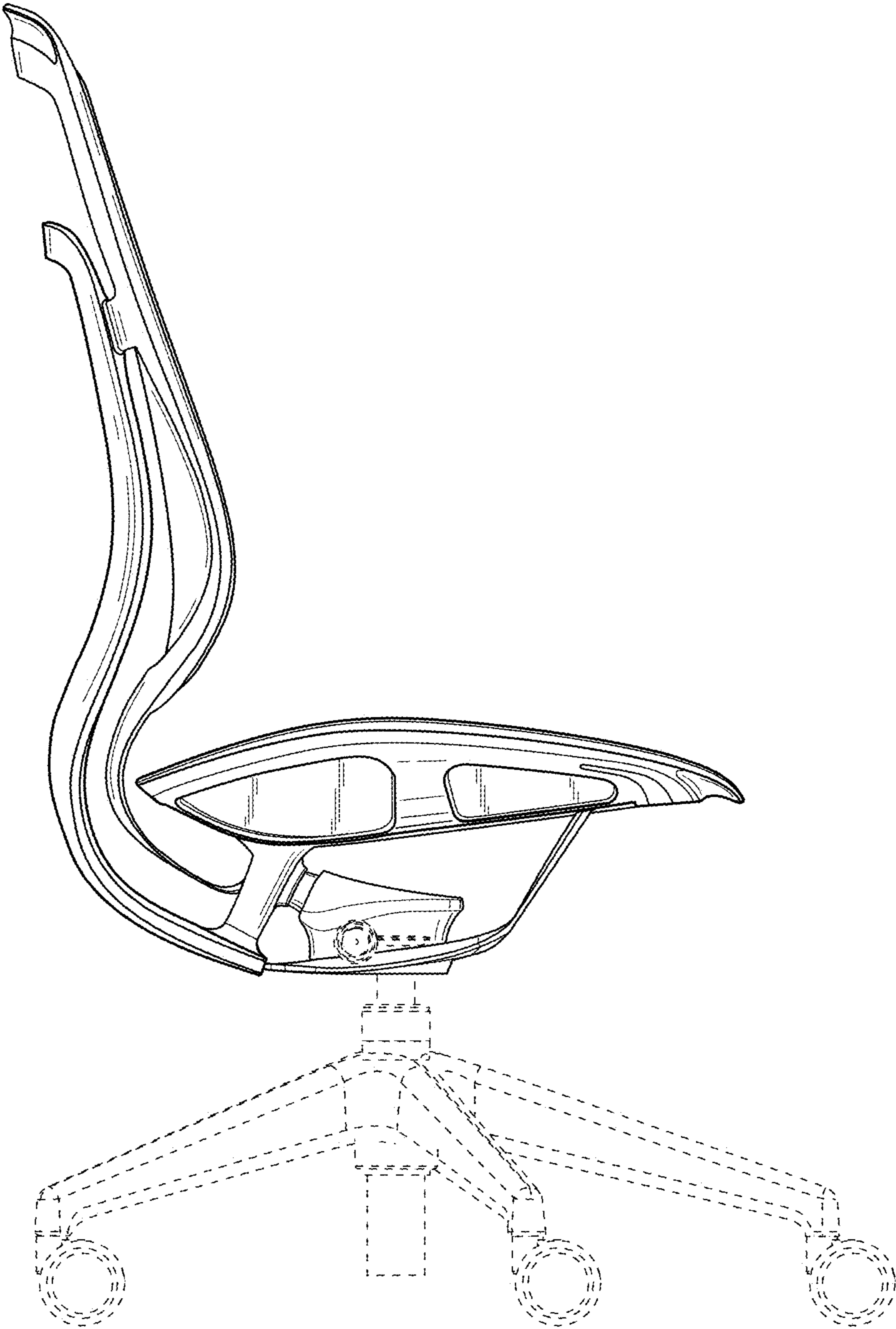


FIG. 4

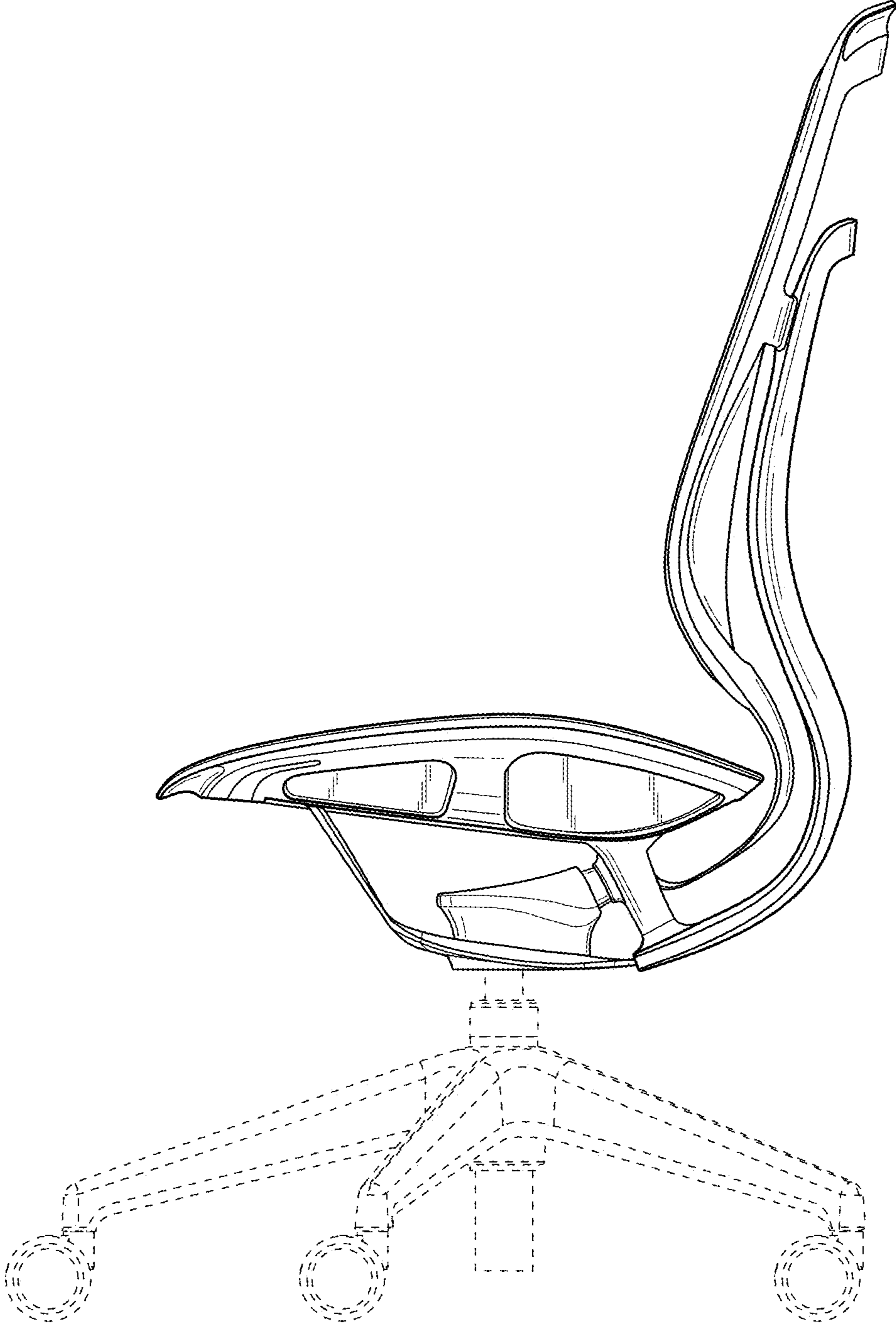


FIG. 5

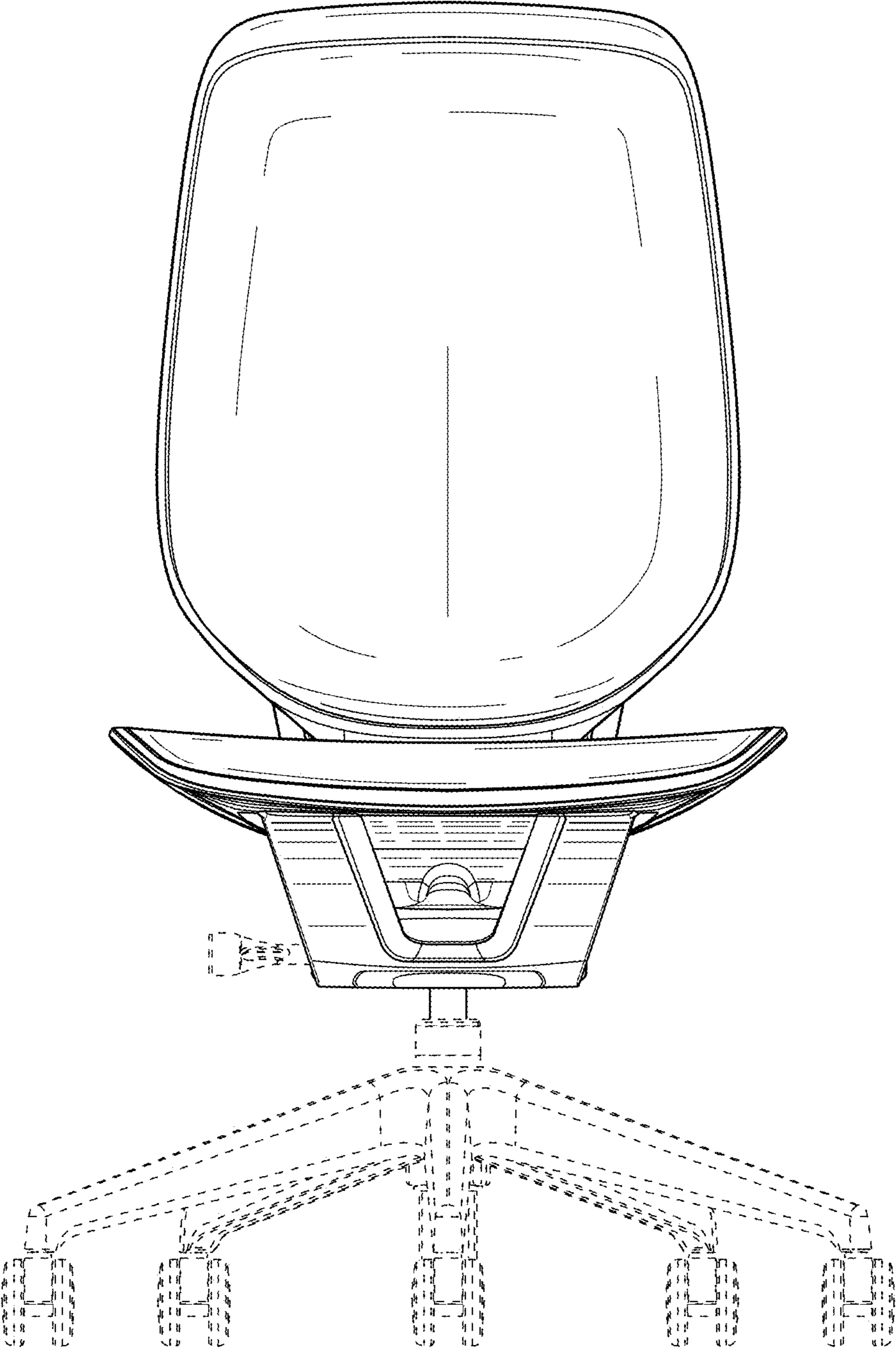


FIG. 6

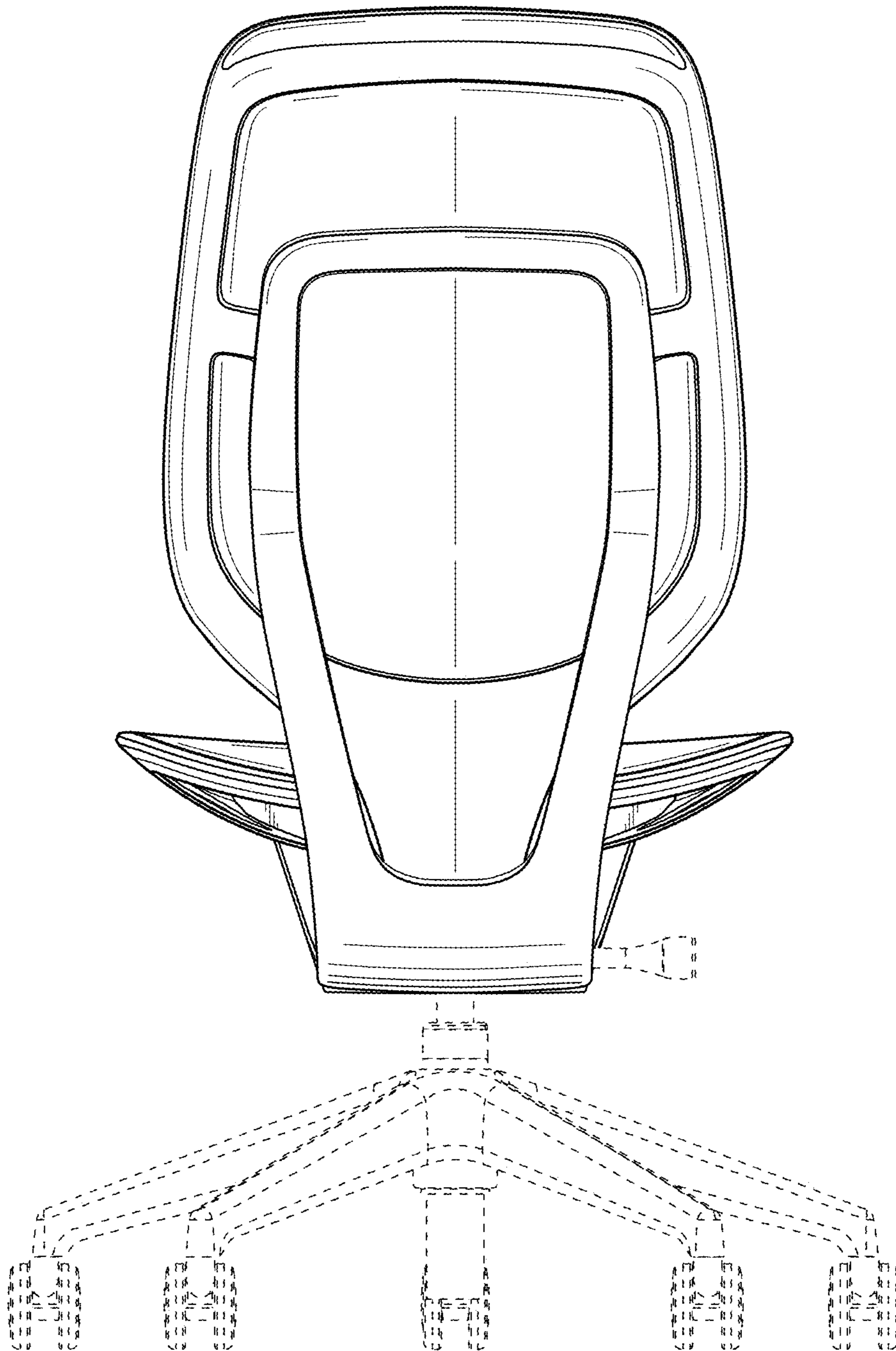


FIG. 7

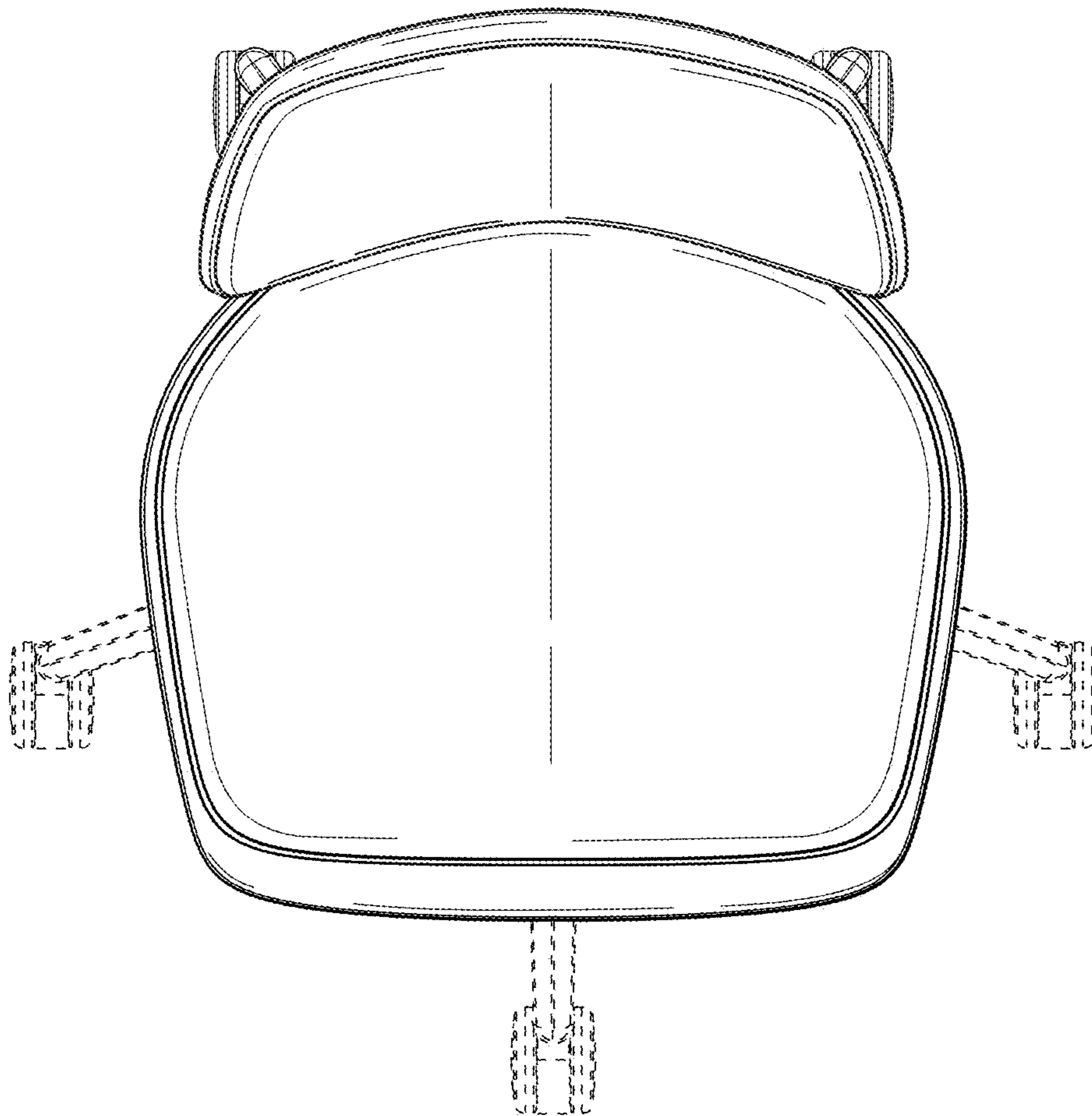


FIG. 8

