

US00D961314S

(12) **United States Design Patent**
Vanderminden

(10) **Patent No.:** **US D961,314 S**
(45) **Date of Patent:** **** Aug. 23, 2022**

(54) **SEAT**

(71) Applicant: **Telescope Casual Furniture, Inc.**,
Granville, NY (US)

(72) Inventor: **William M. Vanderminden**,
Queensbury, NY (US)

(73) Assignee: **TELESCOPE CASUAL
FURNITURE, INC.**, Granville, NY
(US)

(**) Term: **15 Years**

(21) Appl. No.: **29/693,656**

(22) Filed: **Jun. 4, 2019**

(51) **LOC (13) Cl.** **06-01**

(52) **U.S. Cl.**
USPC **D6/716**

(58) **Field of Classification Search**
USPC D6/333, 334, 344, 348, 349, 350, 355,
D6/360, 361, 364, 366, 367, 369, 370,
D6/374, 375, 379, 380, 381, 716, 716.4
CPC A47C 1/02; A47C 1/022; A47C 1/024;
A47C 1/032; A47C 1/03255; A47C 1/11;
A47C 1/143; A47C 3/18; A47C 3/02;
A47C 3/025; A47C 3/026; A47C 7/002;
A47C 7/004; A47C 7/18; A47C 7/185;
A47C 7/36; A47C 7/46; A47C 9/007;
A47C 11/00; A47C 11/005
See application file for complete search history.

(56) **References Cited**

U.S. PATENT DOCUMENTS

D274,392 S * 6/1984 Blodee D6/379
D456,187 S * 4/2002 Lin D6/366
D482,541 S 11/2003 Puer
D496,172 S 9/2004 Puer
D497,491 S 10/2004 Puer
D513,566 S * 1/2006 Green D6/716

D604,067 S * 11/2009 Gaschy D6/716
D651,026 S * 12/2011 Lievore D6/716
D704,463 S 5/2014 Vanderminden
D734,047 S 7/2015 Vanderminden
D749,335 S 2/2016 Vanderminden
D751,329 S * 3/2016 Johnson D6/374
D852,554 S * 7/2019 Geelen D6/673
D869,215 S * 12/2019 Chen D6/366
D871,122 S * 12/2019 Sandonà D6/366

(Continued)

OTHER PUBLICATIONS

Tribeca Sling Collection, designed by William Vanderminden, available from Telescope Casual Furniture, Granville, New York, 2019 Telescope Casual Furniture Catalog cover page, pp. 50-53, and rear page, Jul. 1, 2018.

(Continued)

Primary Examiner — R. Johnson

(74) *Attorney, Agent, or Firm* — Heslin Rothenberg
Farley & Mesiti P.C.

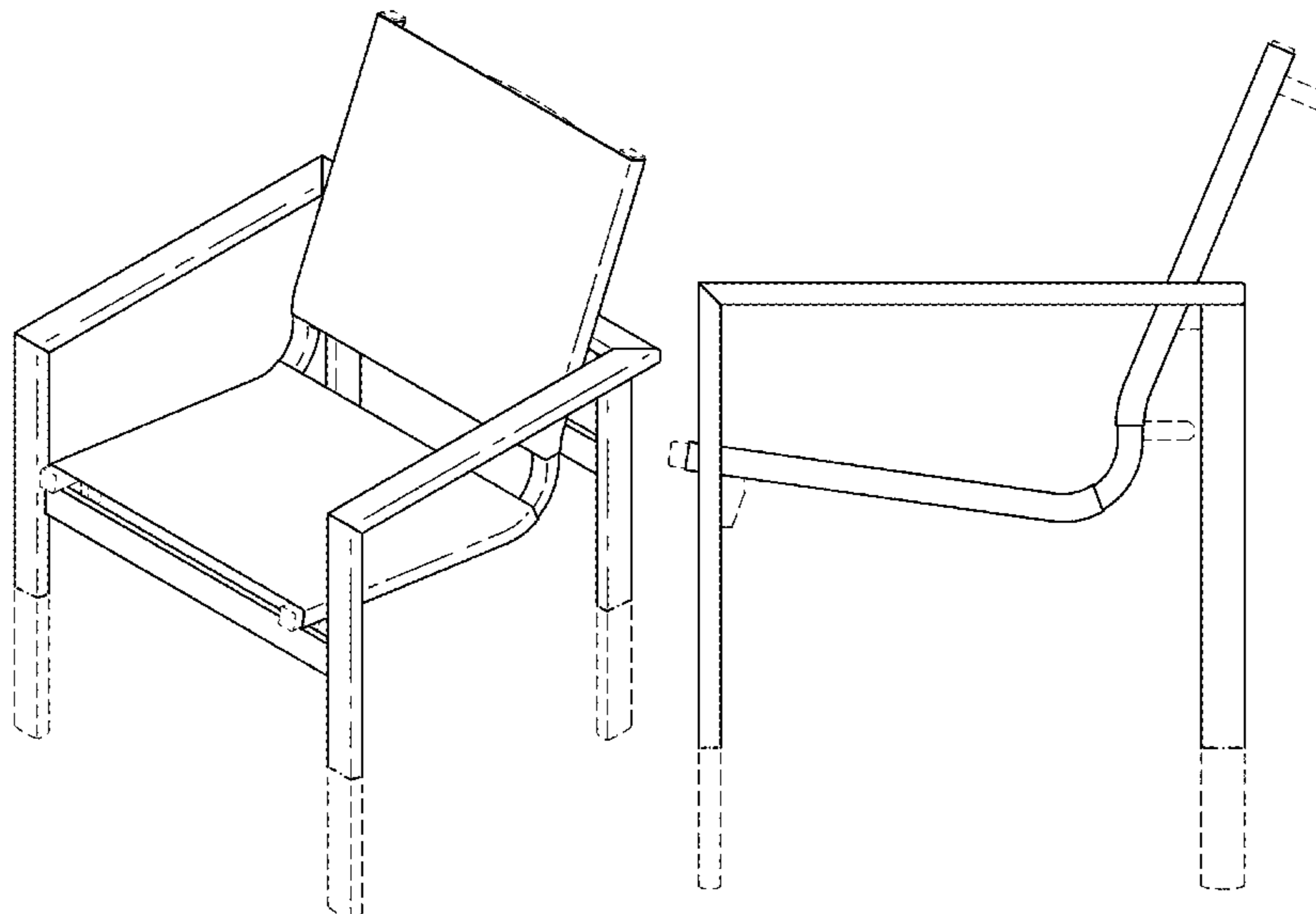
(57) **CLAIM**

The ornamental design for a seat, as shown and described.

DESCRIPTION

FIG. 1 is a perspective view of a seat in accordance with the new design;
FIG. 2 is a front elevational view thereof;
FIG. 3 is a left side elevational view thereof;
FIG. 4 is a right side elevational view thereof;
FIG. 5 is a rear elevational view thereof;
FIG. 6 is a top view thereof;
FIG. 7 is another perspective view thereof; and,
FIG. 8 is another perspective view thereof.
The broken lines in the drawings illustrate portions of the seat which form no part of the claimed design.
The dash-dot-dash lines in the drawings represent the boundary of the claimed design.

1 Claim, 8 Drawing Sheets



(56)

References Cited

U.S. PATENT DOCUMENTS

D885,100 S *	5/2020	Kumazawa	D6/716
D899,836 S *	10/2020	Chu	D6/366
11,241,097 B2 *	2/2022	Cieszko	A47C 4/10
2017/0164745 A1 *	6/2017	Huang	A47C 7/16

OTHER PUBLICATIONS

Hampton Marine Grade Polymer Outdoor Furniture, available from Windward Design Group, Sarasota, Florida, 6-pages, Sep. 28, 2012.
 Windward Deep Seat Collection, available from Telescope Casual Furniture, Granville, New York, 2010 Telescope Casual Furniture Catalog cover page, pp. 4 and 5, and rear page Jul. 1, 2009.
 Windward Sling Collection, available from Telescope Casual Furniture, Granville, New York, 2010 Telescope Casual Furniture Catalog cover page, pp. 30 and 31, and rear page Jul. 1, 2009.
 Larssen Cushion, available from Telescope Casual Furniture, Granville, New York, 2017 Telescope Casual Furniture Catalog cover page, pp. 6-8, and rear page, Jul. 1, 2016.

Leeward MGP Cushion, available from Telescope Casual Furniture, Granville, New York, 2016 Telescope Casual Furniture Catalog cover page, pp. 4 and 5, and rear page, Jul. 1, 2015.
 Kendall Sling, available from Telescope Casual Furniture, Granville, New York, 2016 Telescope Casual Furniture Catalog cover page, pp. 46 and 47, and rear page, Jul. 1, 2015.
 Ashbee Cushion, available from Telescope Casual Furniture, Granville, New York, 2016 Telescope Casual Furniture Catalog cover page, pp. 8 and 9, and rear page, Jul. 1, 2015.
 Bazza GP Aluminum Sling, available from Telescope Casual Furniture, Granville, New York, 2016 Telescope Casual Furniture Catalog cover page, pp. 32 and 33, and rear page, Jul. 1, 2015.
 Kendall Contract Strap & Cross Strap, available from Telescope Casual Furniture, Granville, New York, 2016 Telescope Casual Furniture Catalog cover page, p. 64-67, and rear page, Jul. 1, 2015.
 Telescope Casual 2016 Catalog, Telescope Casual Furniture, Inc., Granville, New York, 100 pages, Jul. 1, 2015.
 Telescope Casual 2017 Catalog, Telescope Casual Furniture, Inc., Granville, New York, 100 pages, Jul. 1, 2016.
 Telescope Casual 2018 Catalog, Telescope Casual Furniture, Inc., Granville, New York, 100 pages, Jul. 1, 2017.
 Telescope Casual 2019 Catalog, Telescope Casual Furniture, Inc., Granville, New York, 100 pages, Jul. 1, 2018.

* cited by examiner

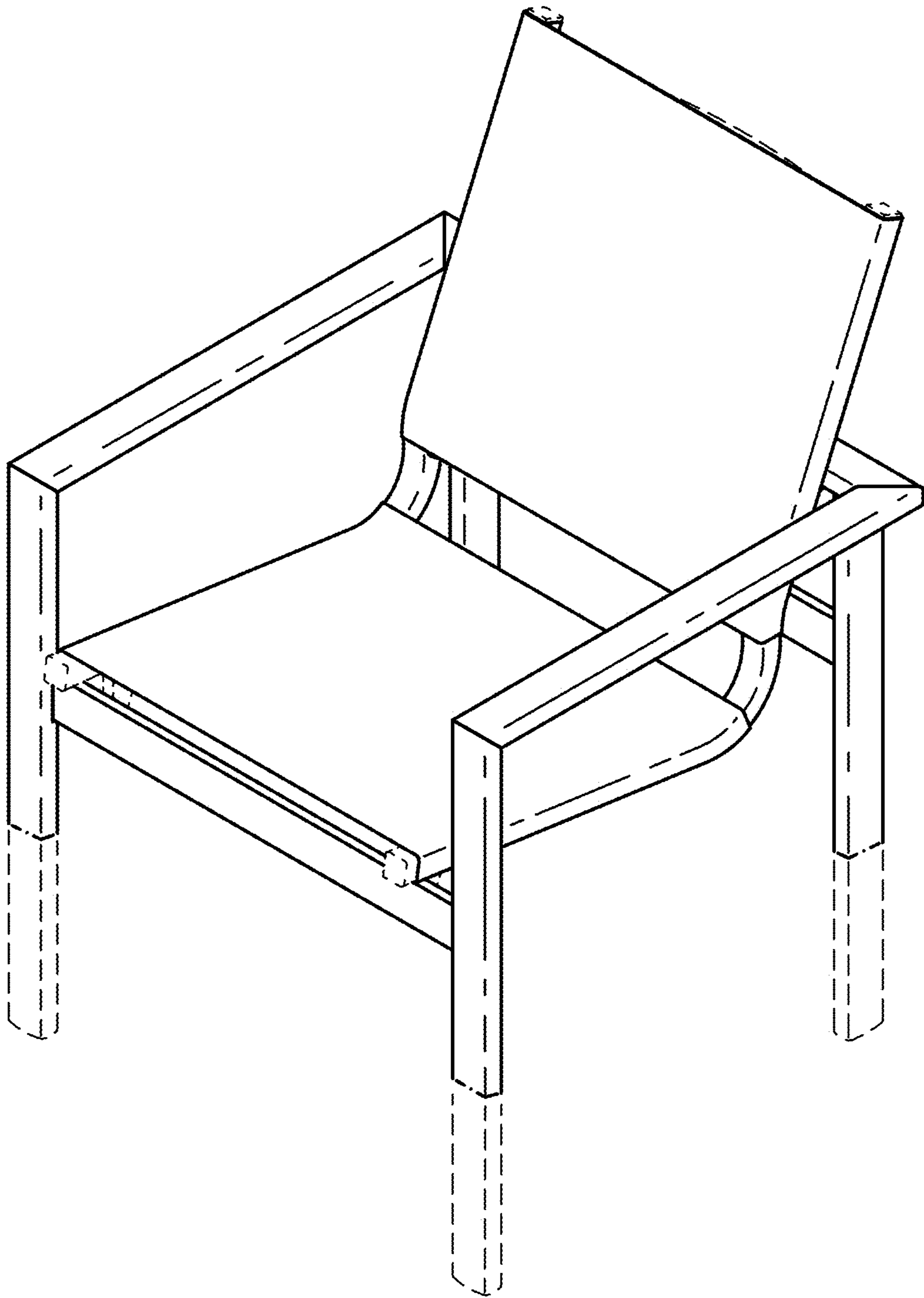


FIG. 1

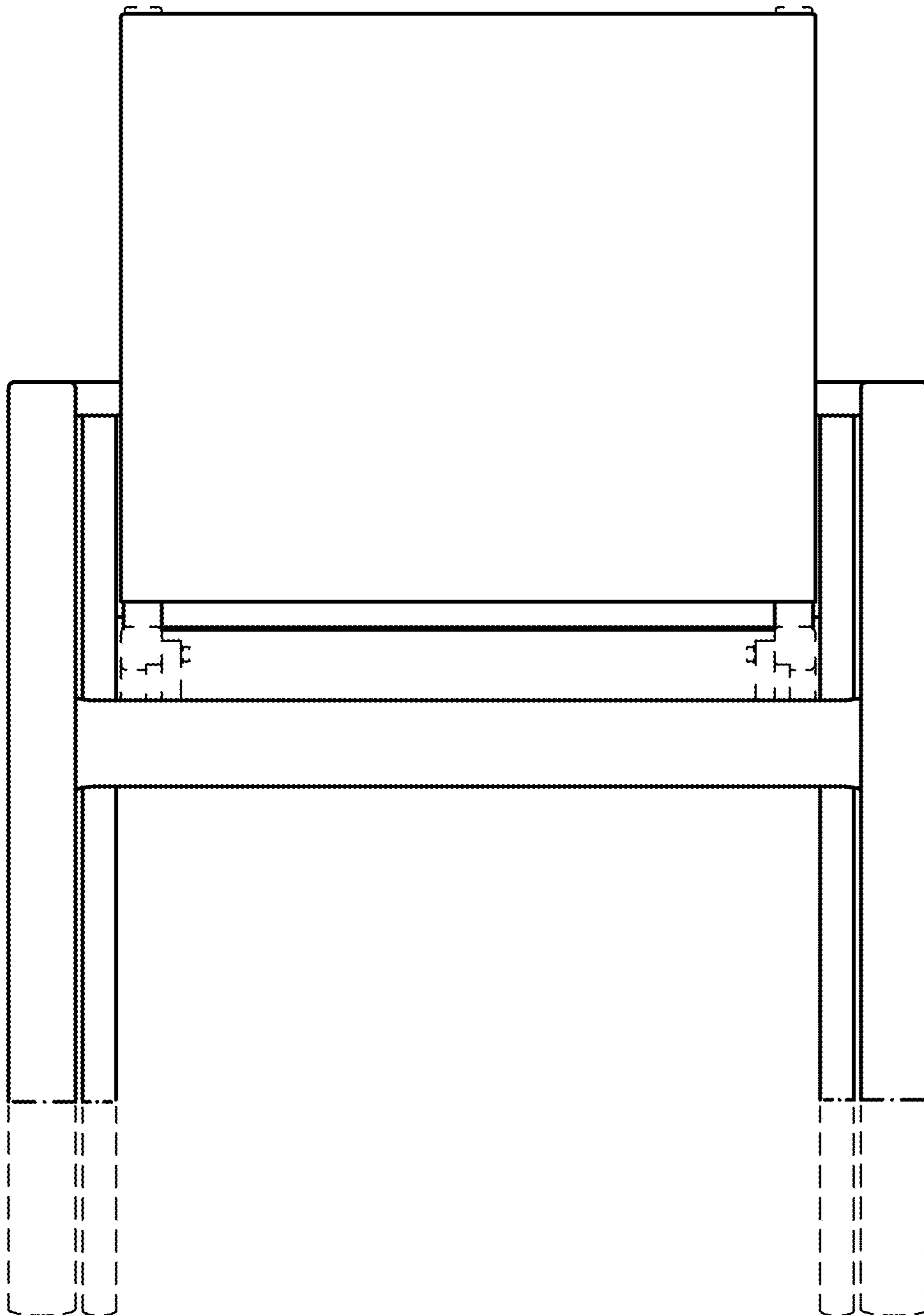


FIG. 2

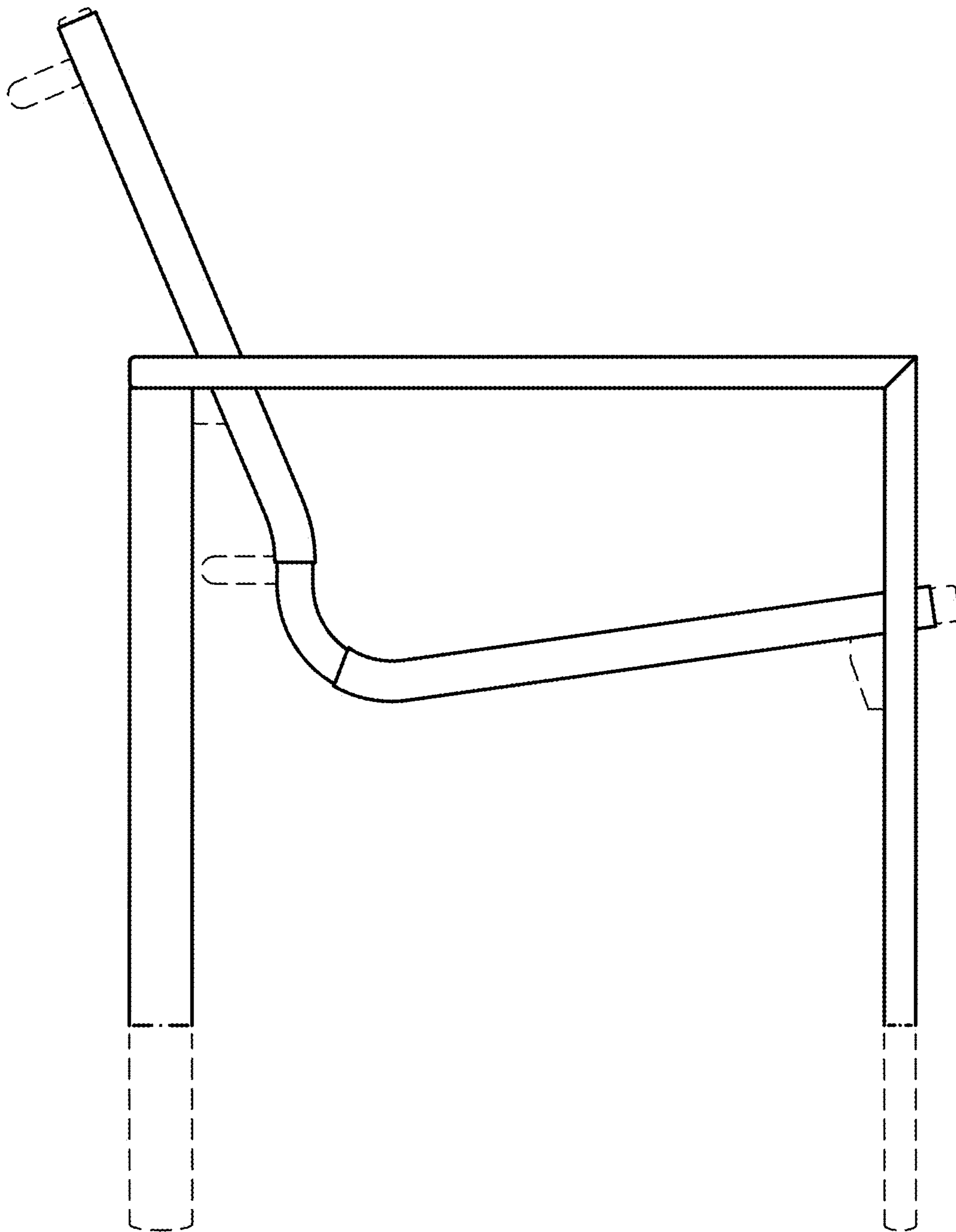


FIG. 3

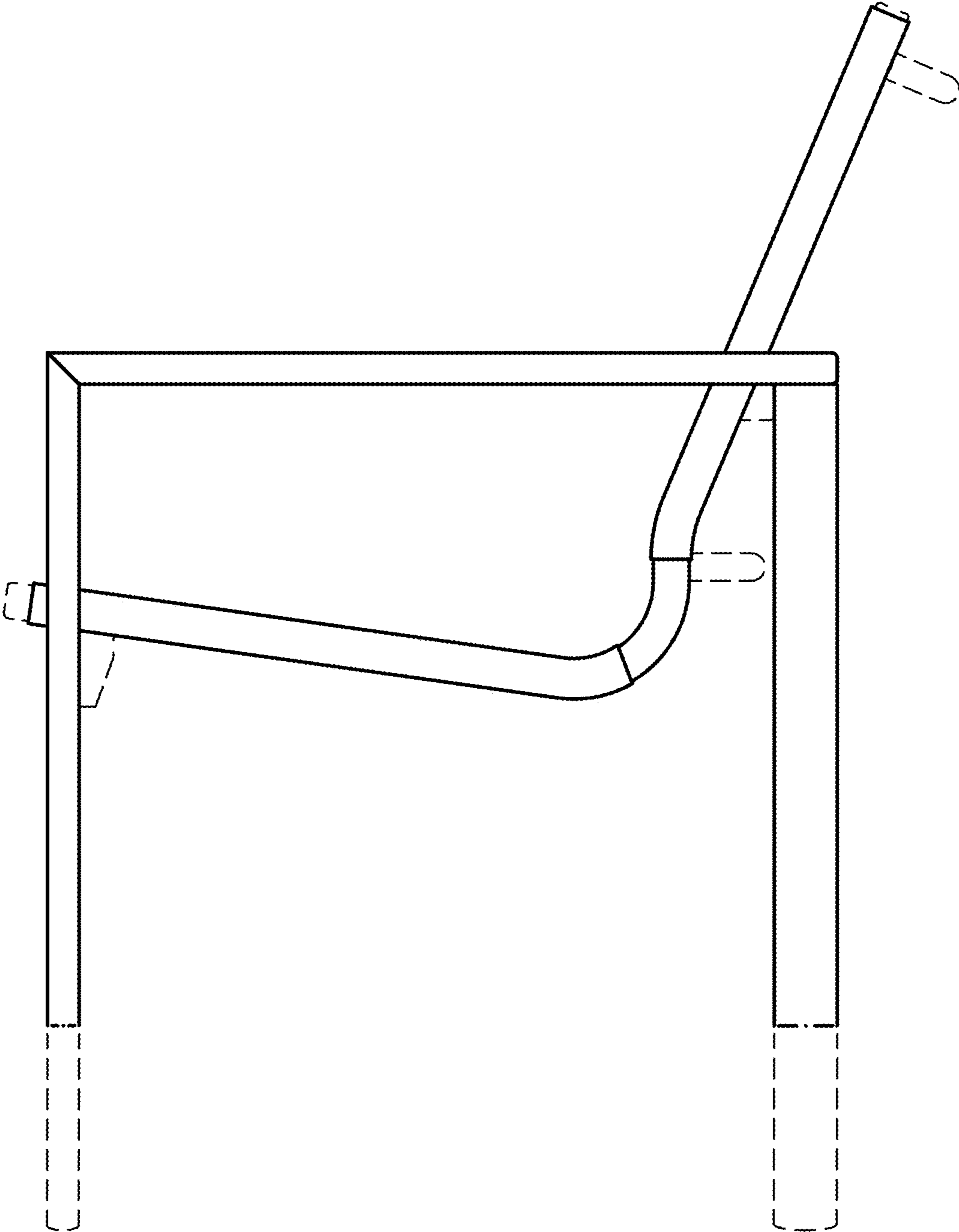


FIG. 4

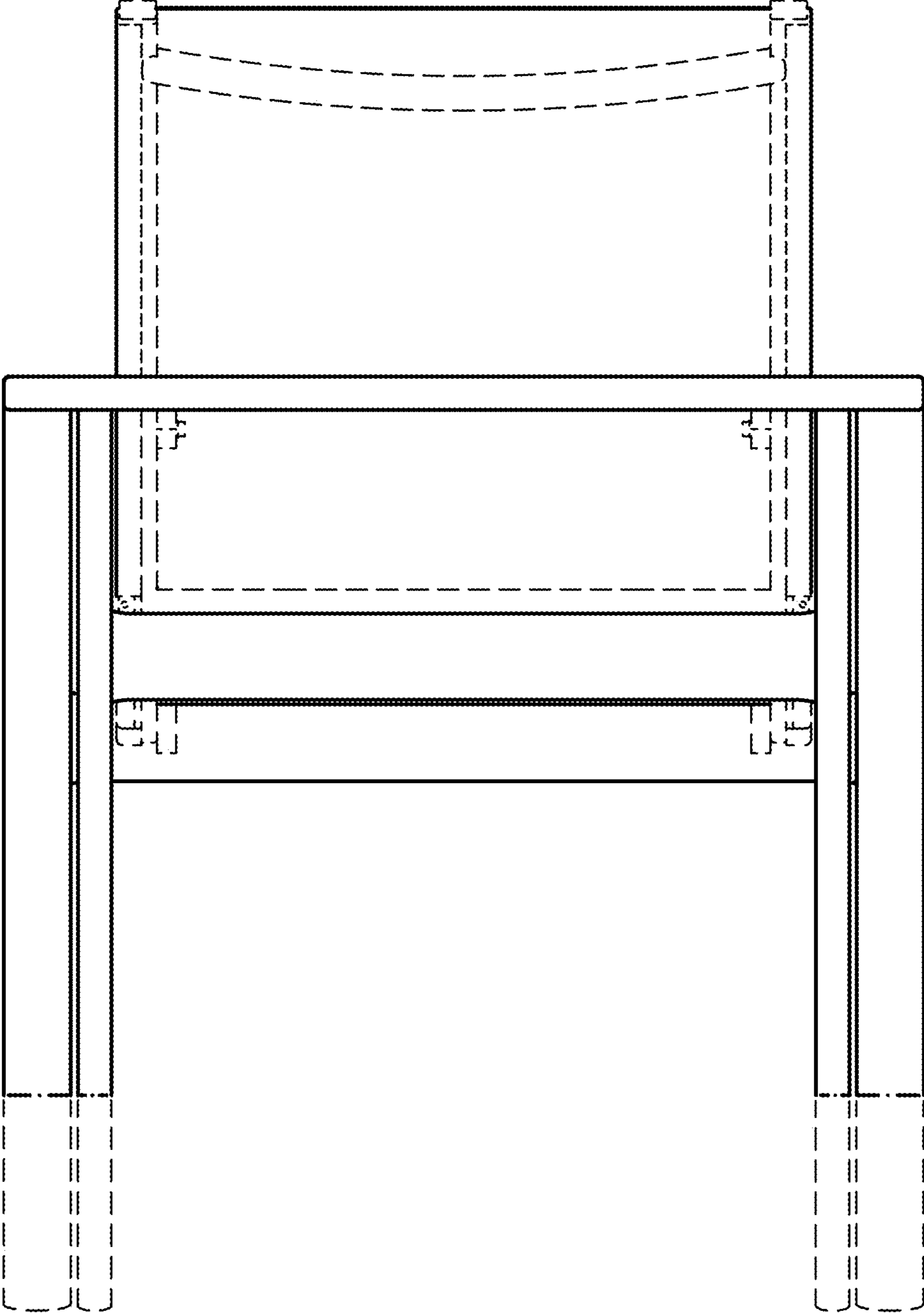


FIG. 5

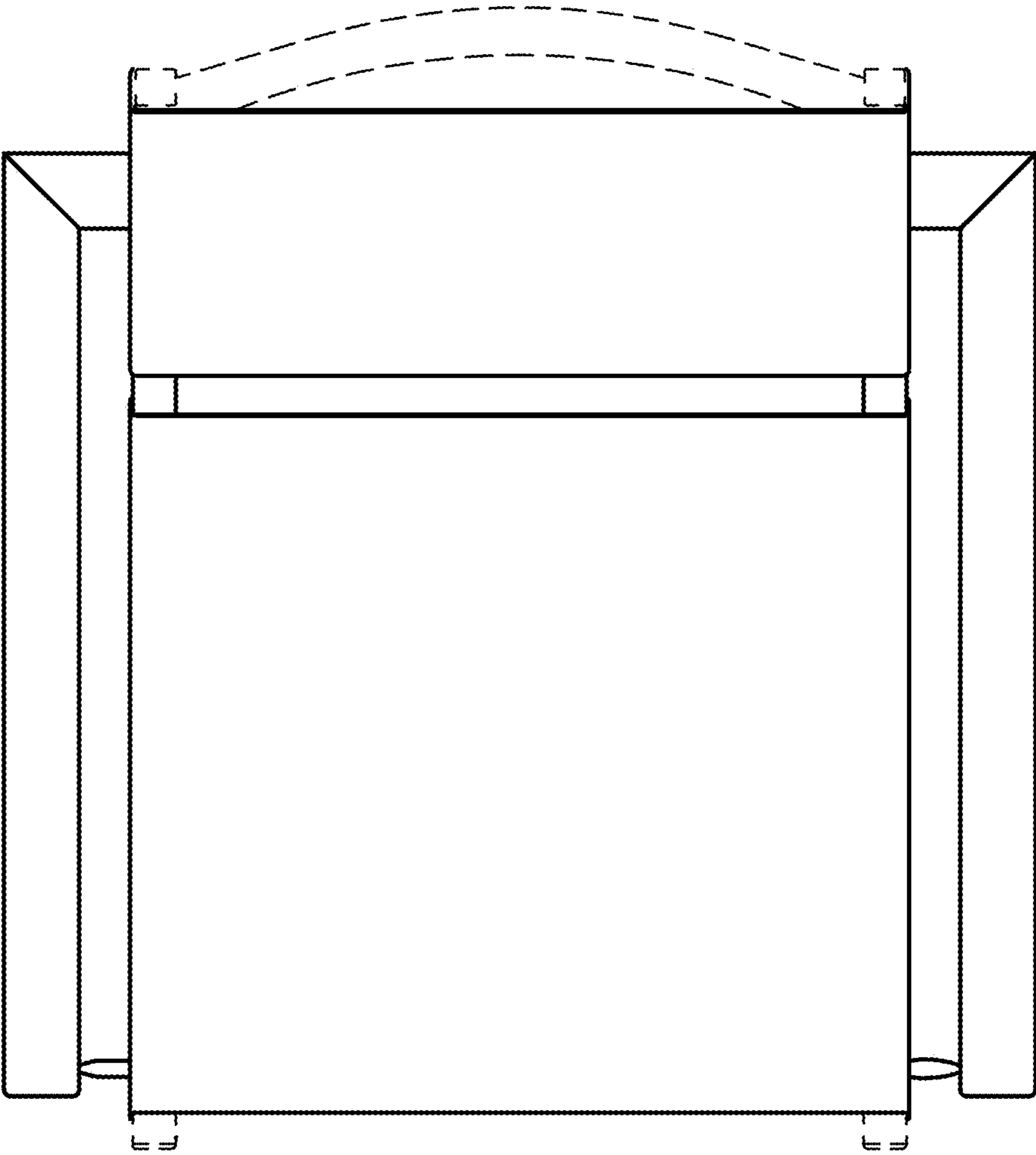


FIG. 6

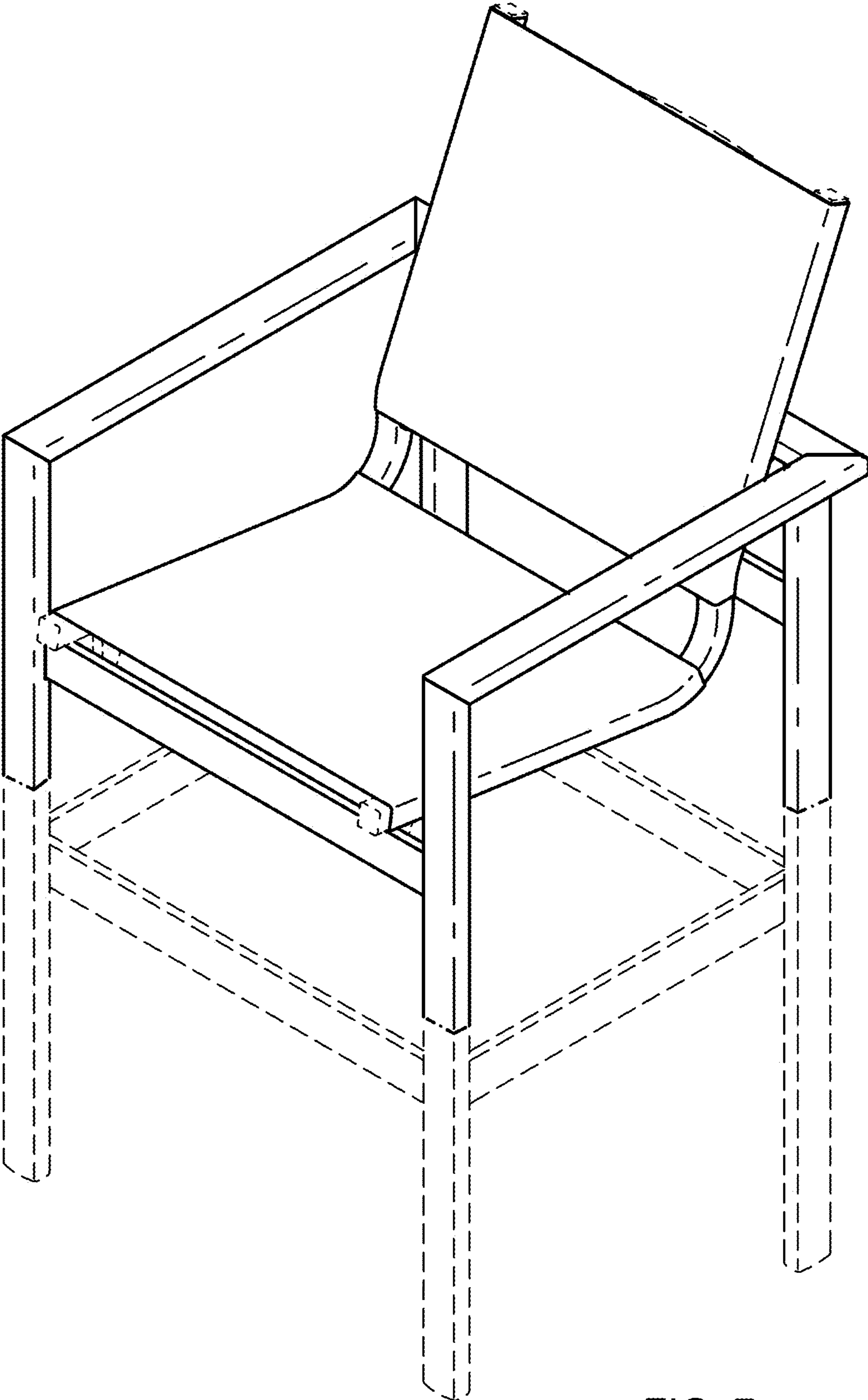


FIG. 7

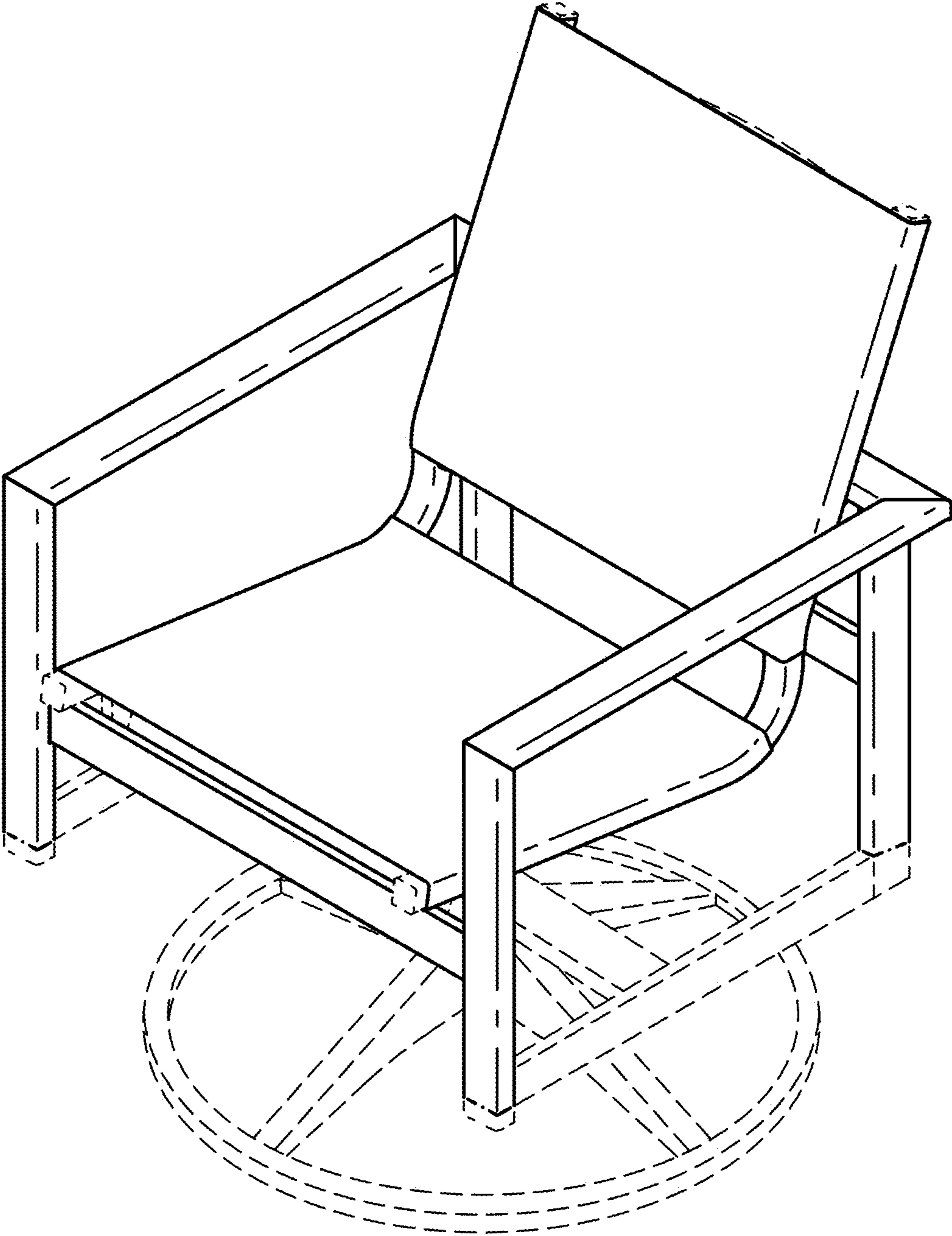


FIG. 8