



US00D961310S

(12) **United States Design Patent** (10) **Patent No.:** **US D961,310 S**
Lundin et al. (45) **Date of Patent:** **** Aug. 23, 2022**

(54) **COLLAPSIBLE HEIGHT ADJUSTABLE TABLE**

(71) Applicant: **Evo Inventions LLC**, Newark, DE (US)

(72) Inventors: **Christopher Lundin**, Newark, DE (US); **Evan Einbender Aamodt**, Philadelphia, PA (US); **Michael A. Dotsey**, Chester Springs, PA (US); **Noah E. Dingler**, Phoenixville, PA (US); **Erin H. Morrissey**, Mont Clare, PA (US); **Jonathan N. Tackie**, Murrysville, PA (US)

(73) Assignee: **Evo Inventions LLC**, Newark, DE (US)

(**) Term: **15 Years**

(21) Appl. No.: **29/822,018**

(22) Filed: **Jan. 5, 2022**

Related U.S. Application Data

(63) Continuation of application No. 29/702,366, filed on Aug. 19, 2019, now Pat. No. Des. 942,192.

(51) **LOC (13) Cl.** **06-03**

(52) **U.S. Cl.**
USPC **D6/686**

(58) **Field of Classification Search**
USPC D6/655.21, 686, 691, 691.1, 691.6, 707, D6/707.19

(Continued)

(56) **References Cited**

U.S. PATENT DOCUMENTS

D942,192 S * 2/2022 Lundin D6/686

* cited by examiner

Primary Examiner — Mary Ann Calabrese
Assistant Examiner — Katelin G Kloberg
(74) *Attorney, Agent, or Firm* — Barnes & Thornburg LLP

(57) **CLAIM**

We claim the ornamental design for a collapsible height adjustable table, as shown and described.

DESCRIPTION

FIG. 1 is a top perspective view of a collapsible height adjustable table in a configuration of use, showing our new design.

FIG. 2 is a front elevation view thereof.

FIG. 3 is a rear elevation view thereof.

FIG. 4 is a right side elevation view thereof.

FIG. 5 is a left elevation view thereof.

FIG. 6 is a top plan view thereof.

FIG. 7 is a bottom plan view thereof.

FIG. 8 is a bottom perspective view thereof.

FIG. 9 is a perspective view of the collapsible height adjustable table shown in a collapsed configuration.

FIG. 10 is a front elevation view of the collapsible height adjustable table shown in the collapsed configuration.

FIG. 11 is a rear elevation view of the collapsible height adjustable table shown in the collapsed configuration.

FIG. 12 is a right side elevation view of the collapsible height adjustable table shown in the collapsed configuration.

FIG. 13 is a left view elevation view of the collapsible height adjustable table shown in the collapsed configuration.

FIG. 14 is a top plan view of the collapsible height adjustable table shown in the collapsed configuration.

FIG. 15 is a bottom plan view of the collapsible height adjustable table shown in the collapsed configuration.

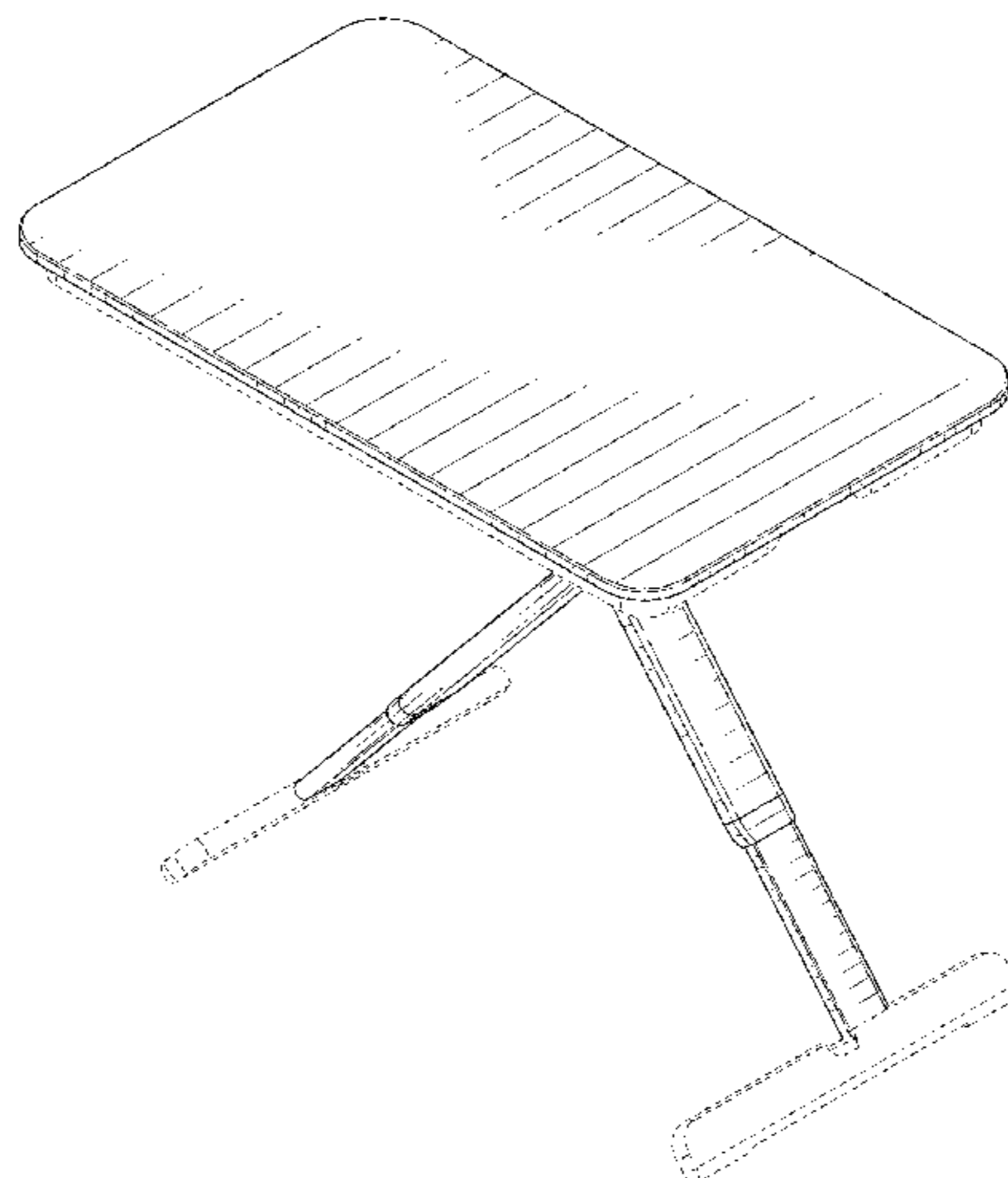
FIG. 16 is a bottom perspective view of the collapsible height adjustable table shown in the collapsed configuration.

FIG. 17 is a top perspective view of the collapsible height adjustable table shown in a second configuration of use; and,

FIG. 18 is a top perspective view of the collapsible height adjustable table shown in a third configuration of use.

The broken lines depict portions of the article that form no part of the claimed design.

1 Claim, 13 Drawing Sheets



(58) **Field of Classification Search**

CPC A47B 3/02; A47B 9/16; A47B 2003/025;
A47B 3/0912; A47B 3/0818; A47B 3/08;
A47B 3/12; A47B 21/02; A47B 31/04;
A47B 3/00; A47B 23/044

See application file for complete search history.

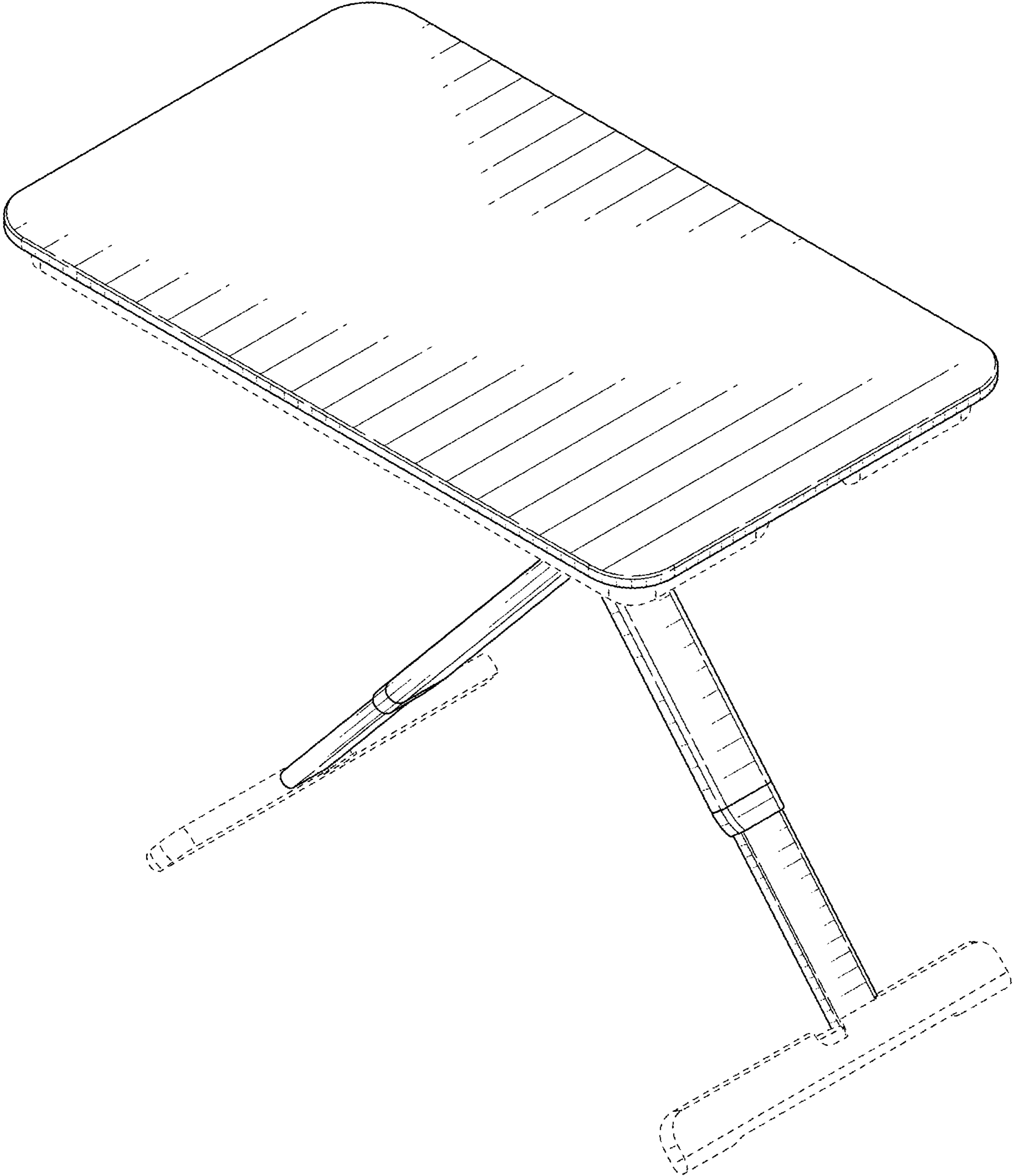


FIG. 1

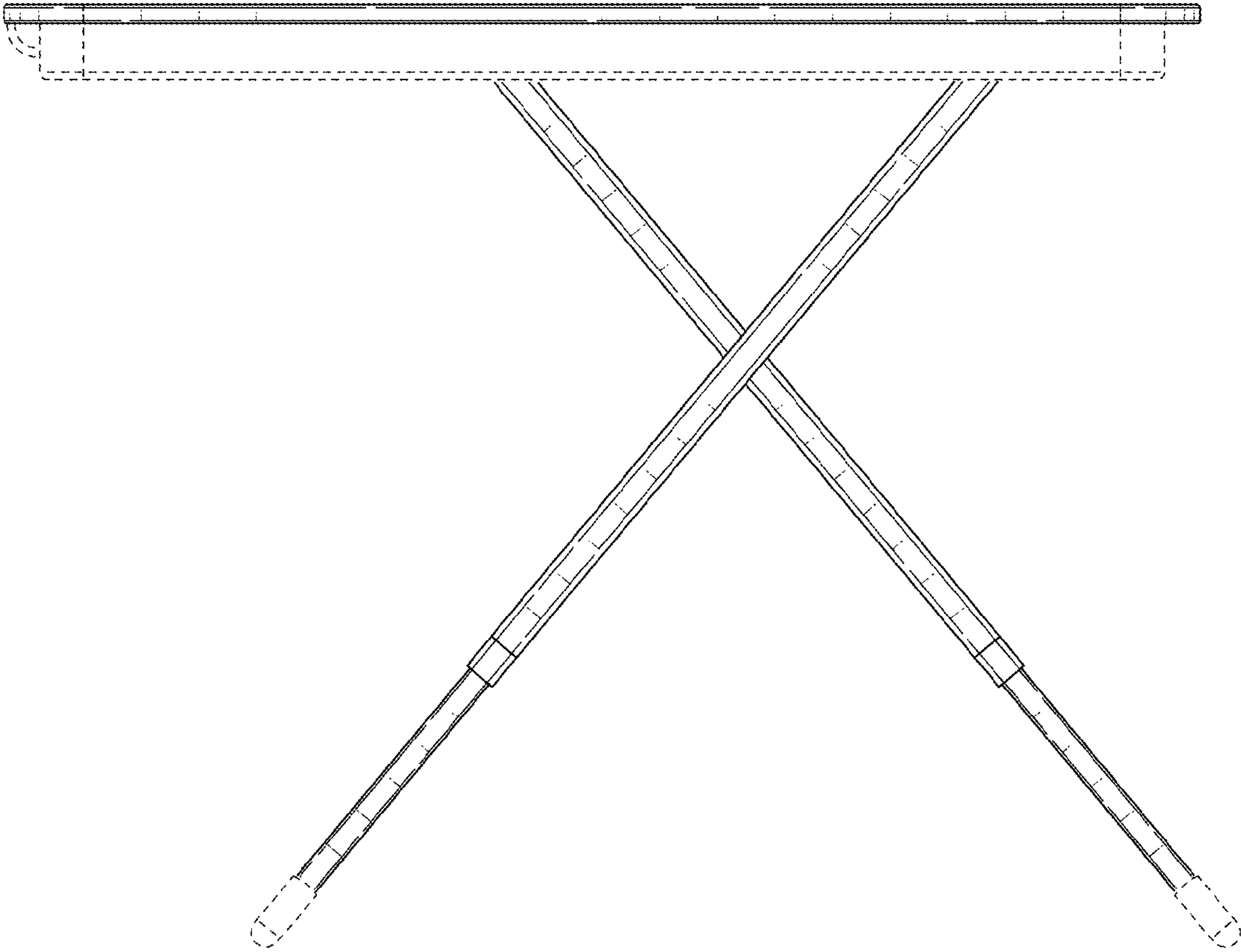


FIG. 2

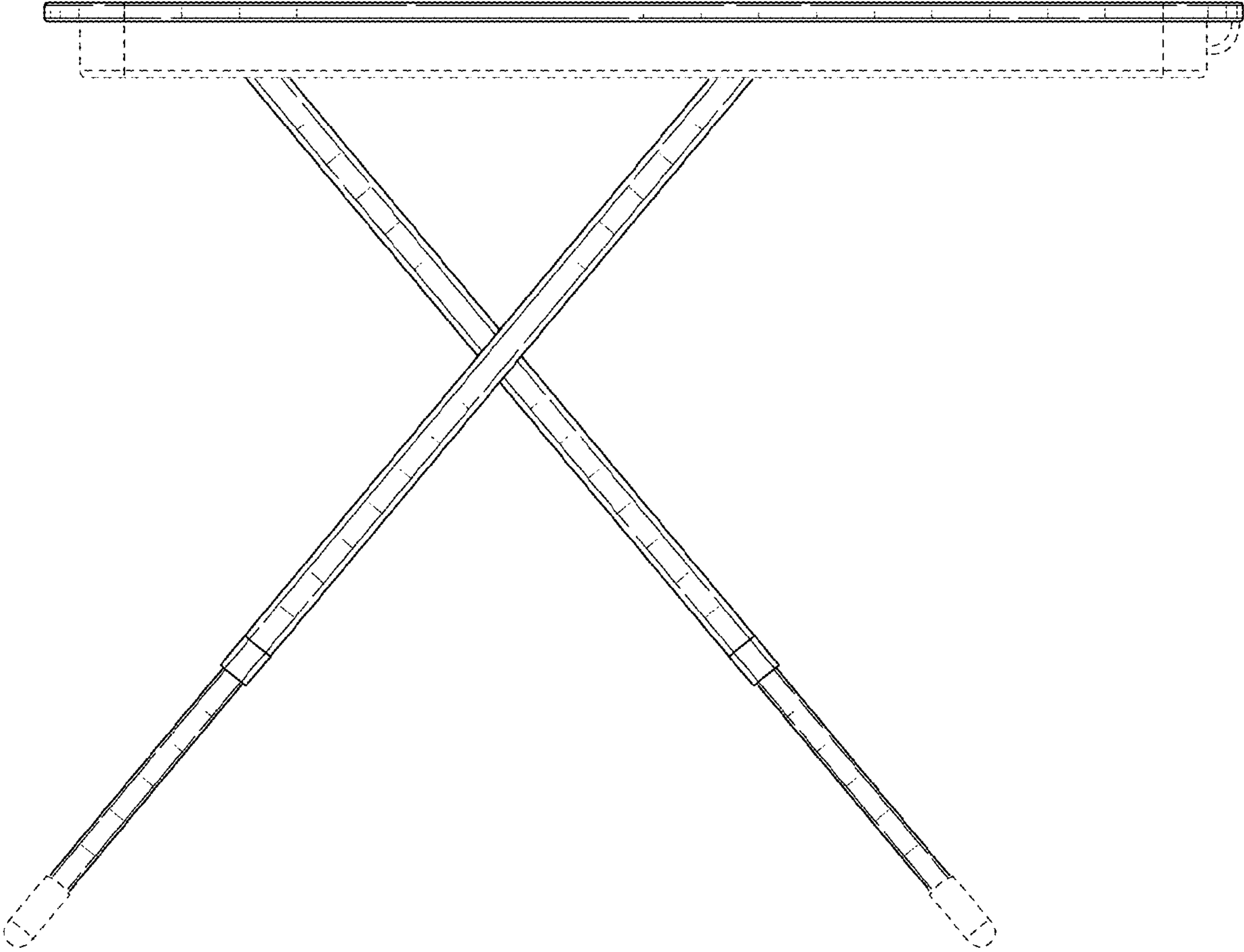


FIG. 3

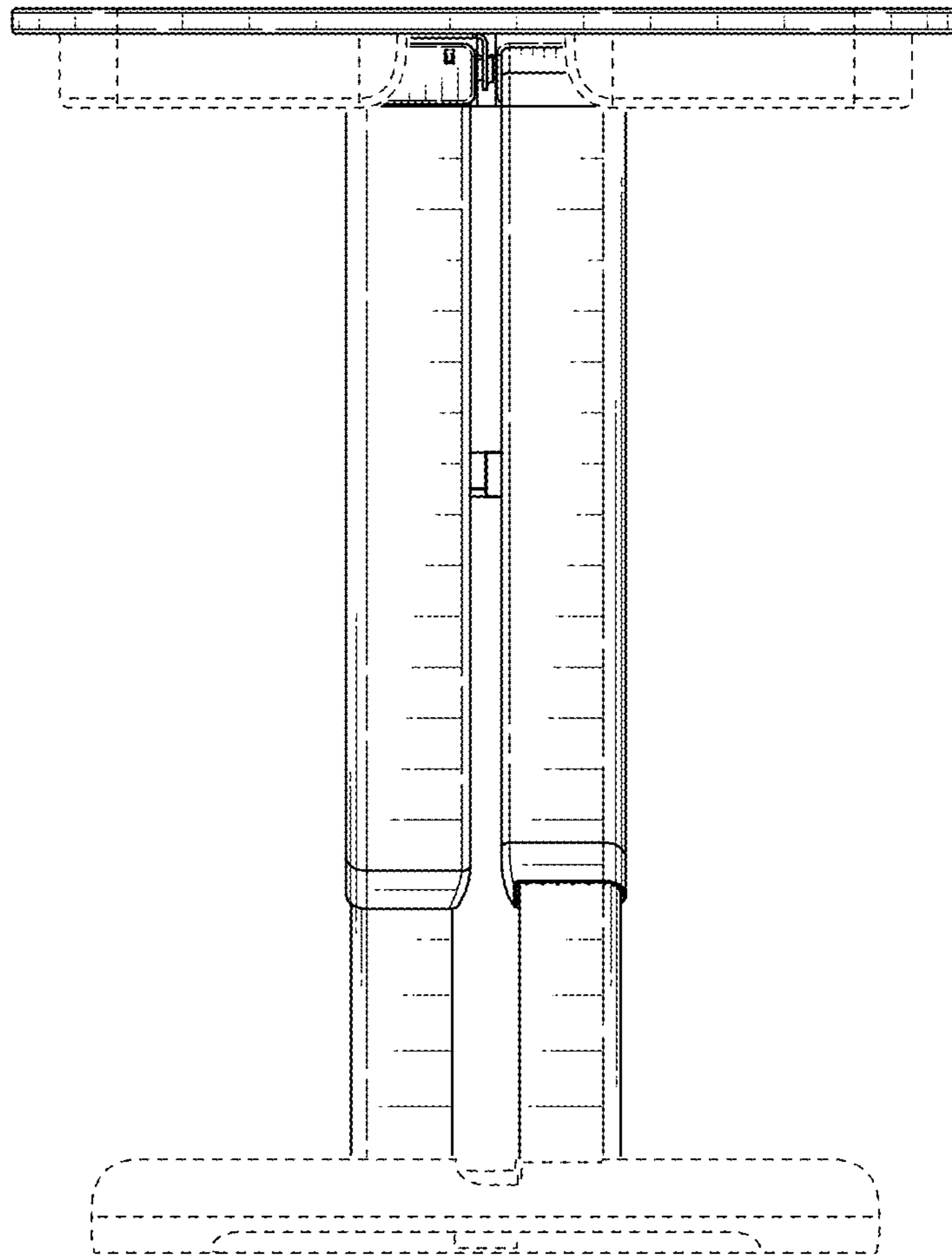


FIG. 4

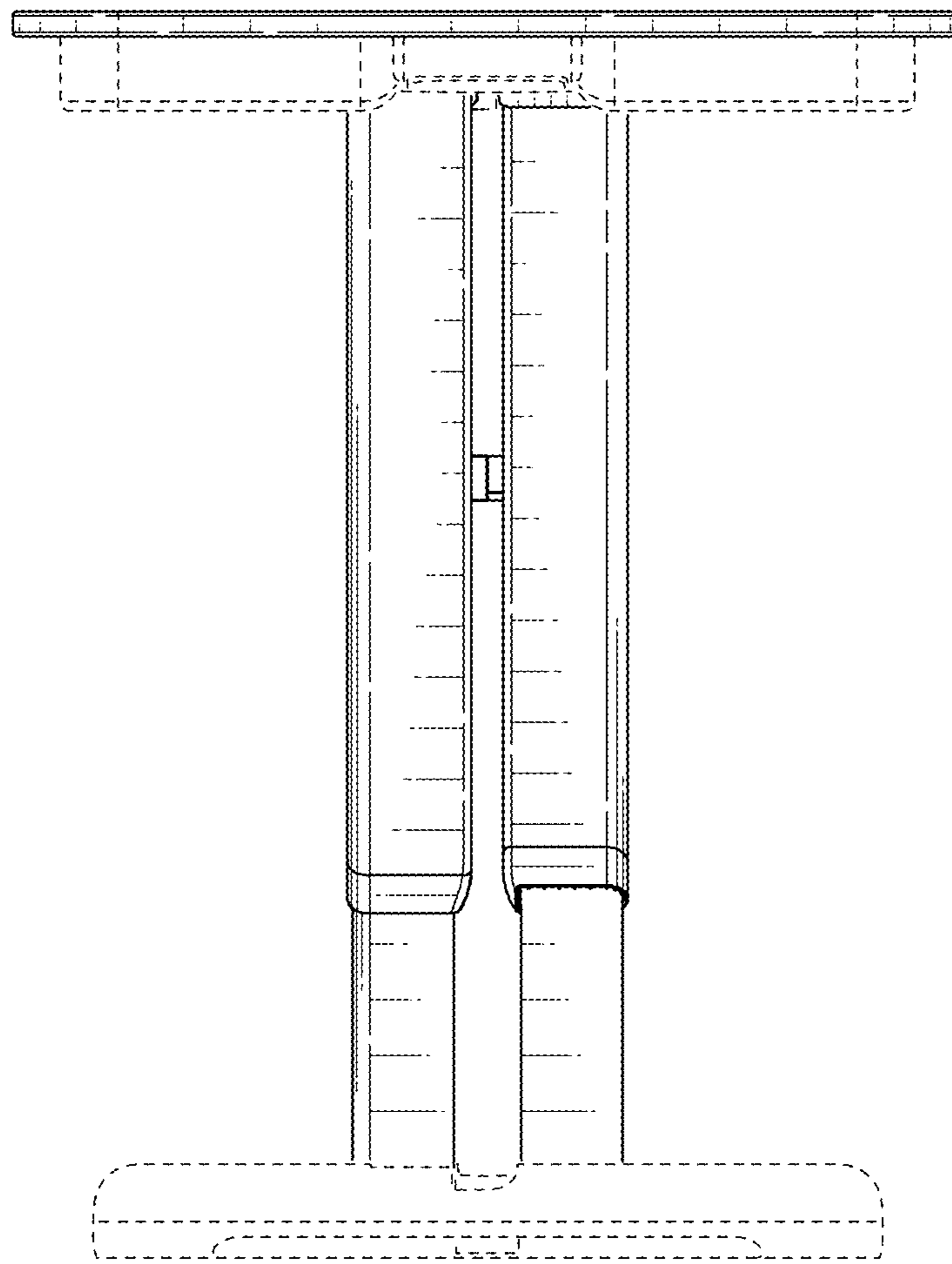


FIG. 5

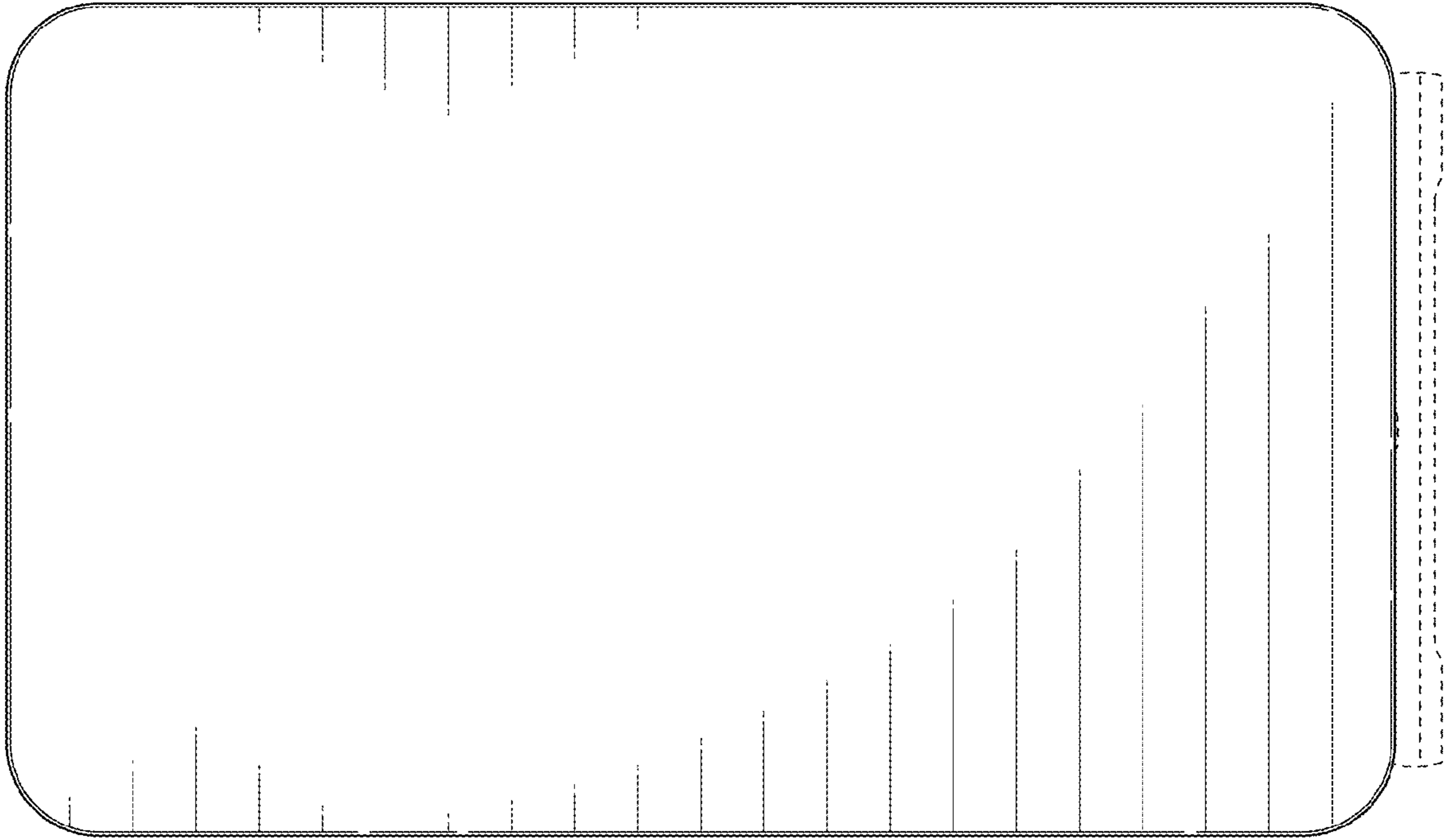


FIG. 6

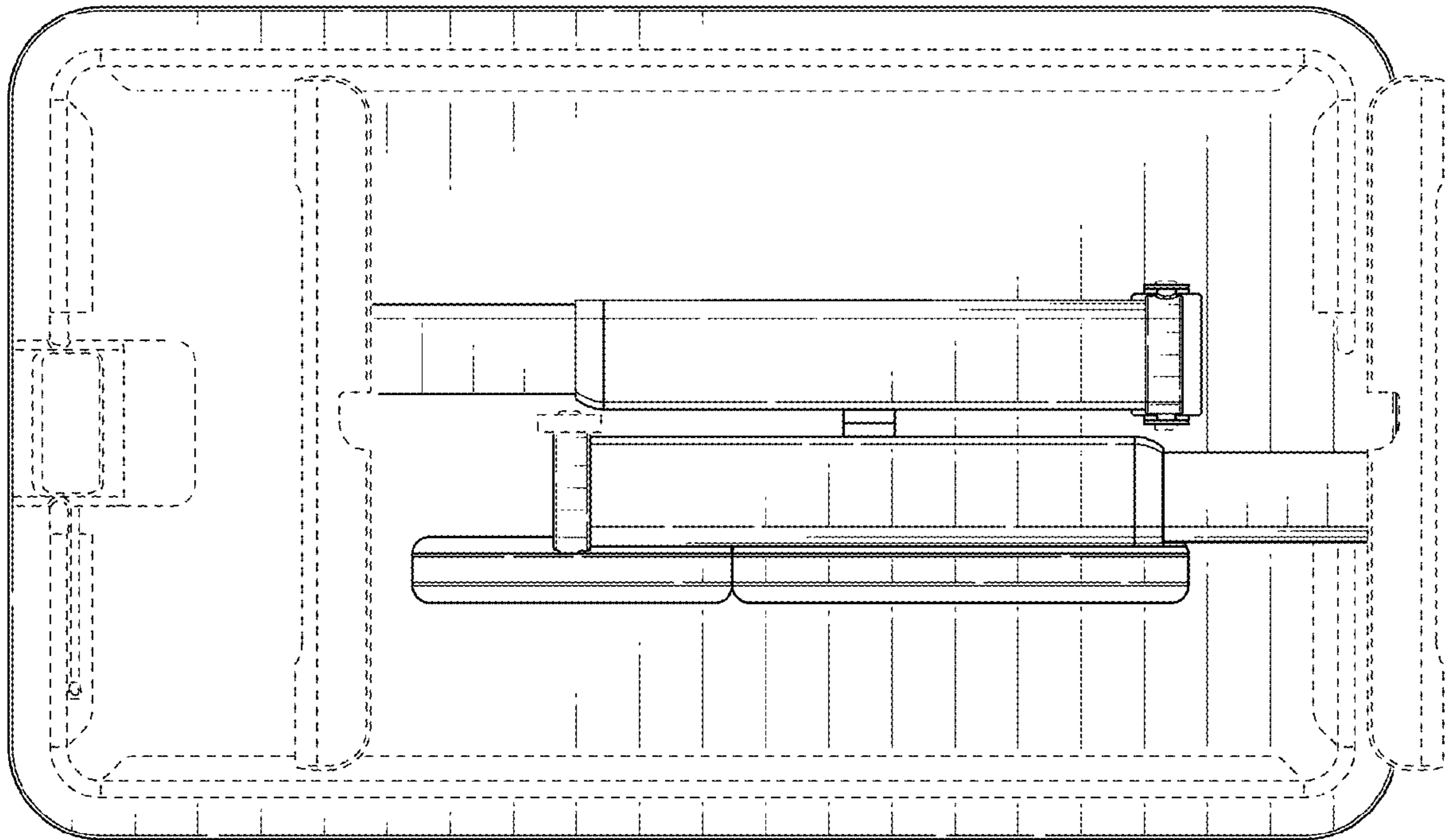


FIG. 7

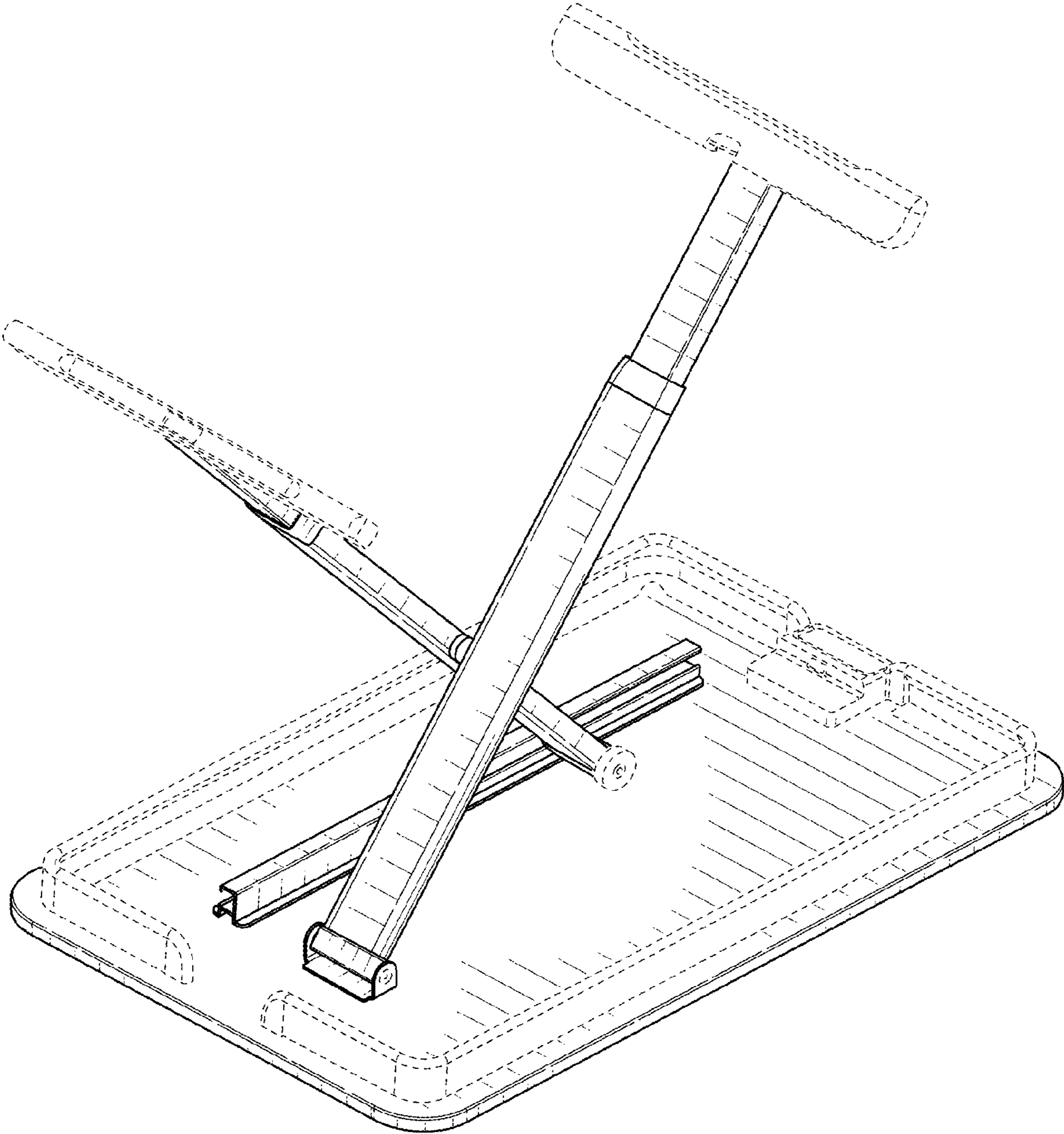


FIG. 8

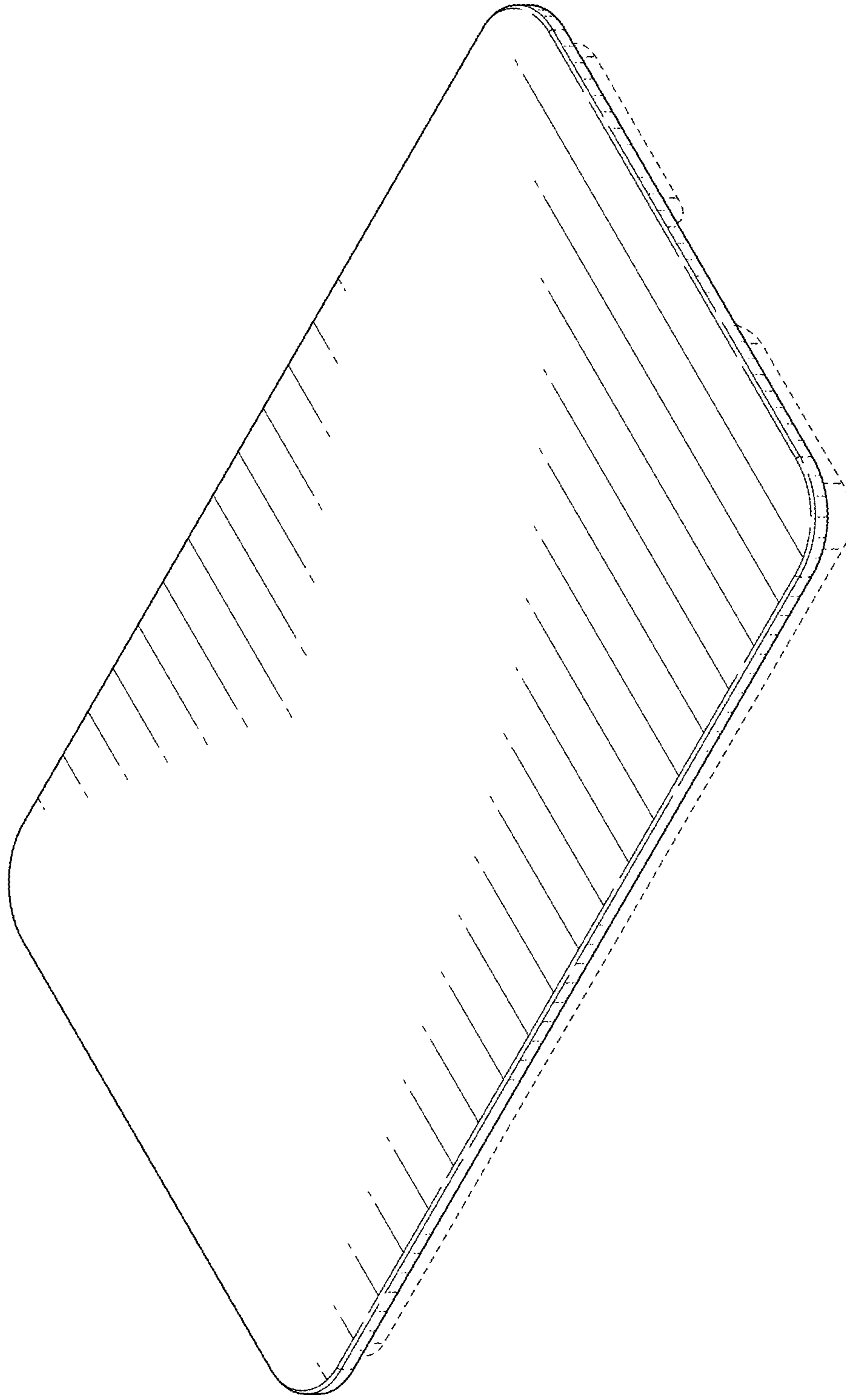


FIG. 9

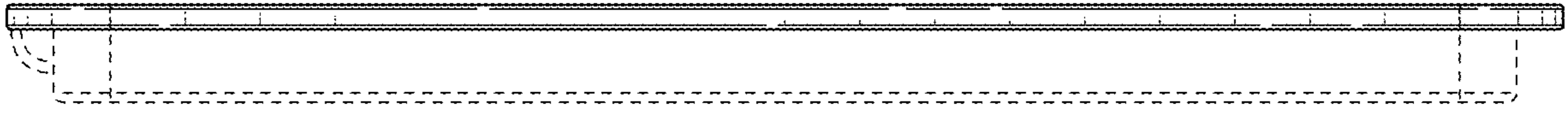


FIG. 10

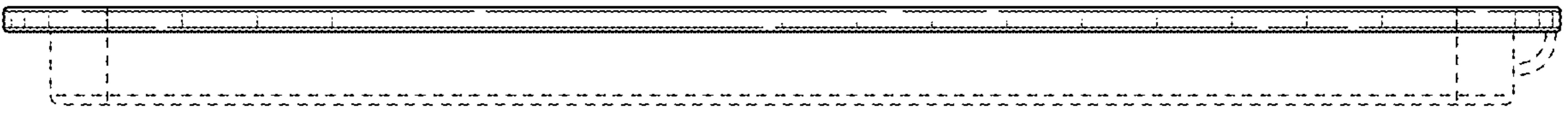


FIG. 11

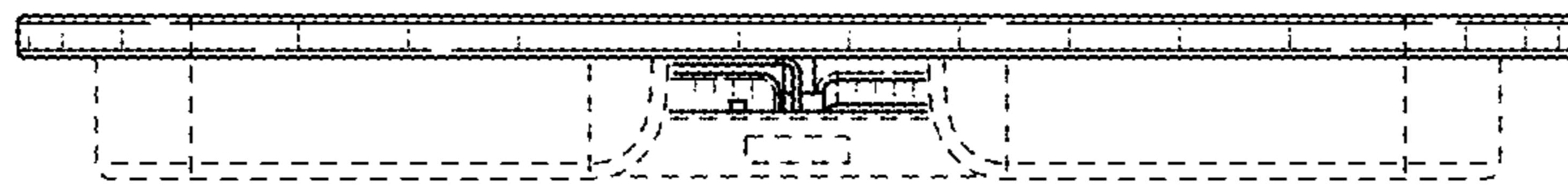


FIG. 12

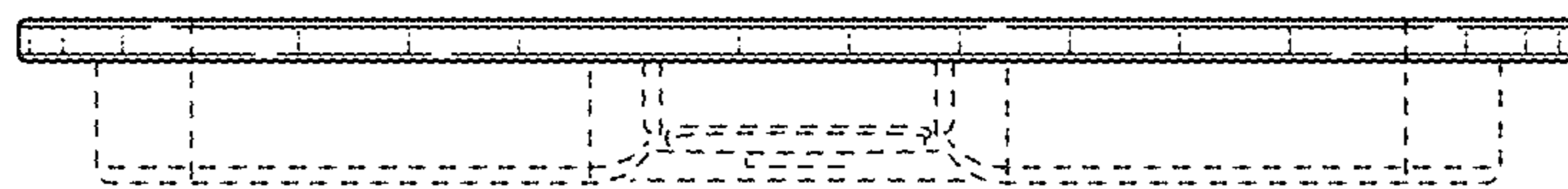


FIG. 13

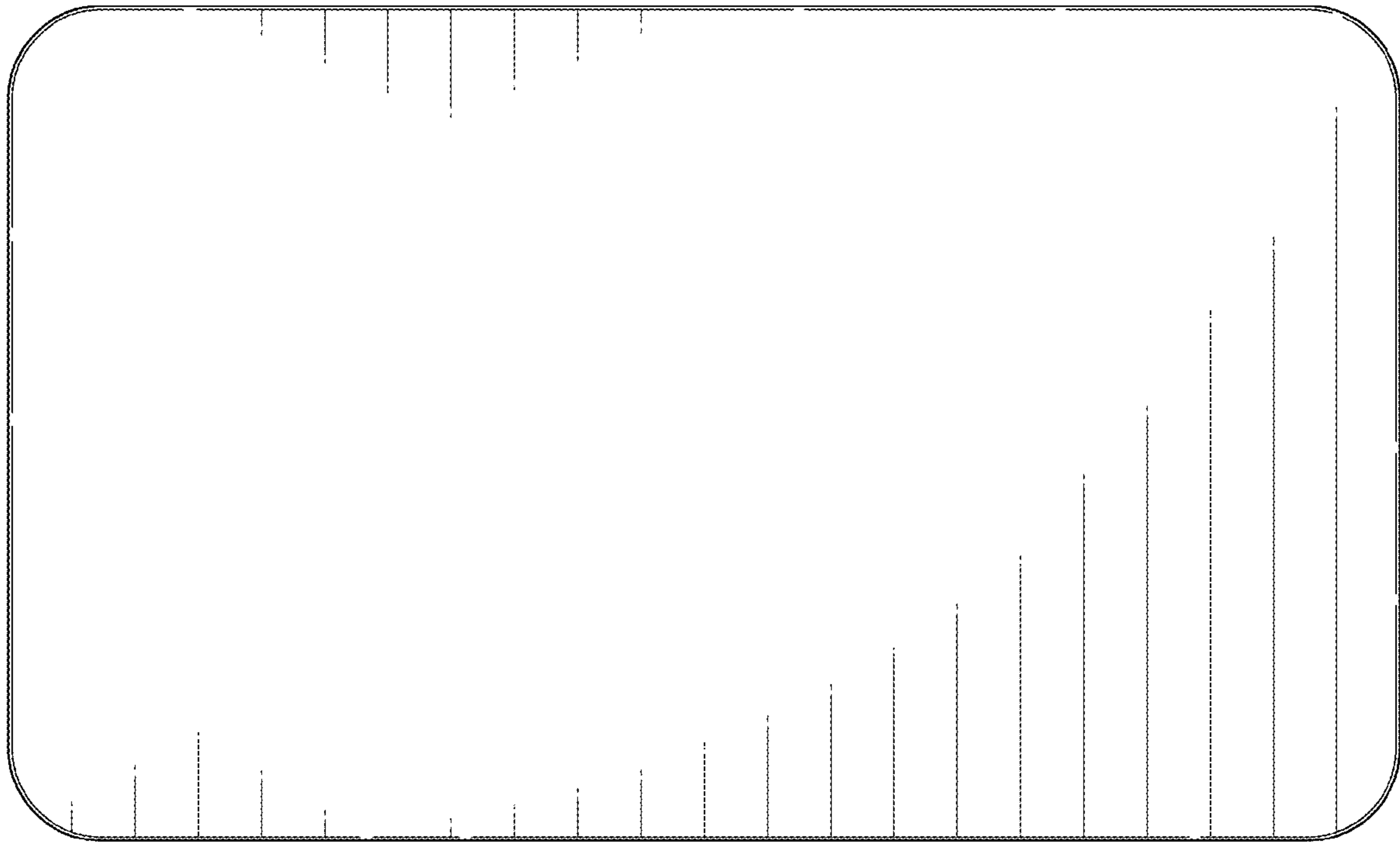


FIG. 14

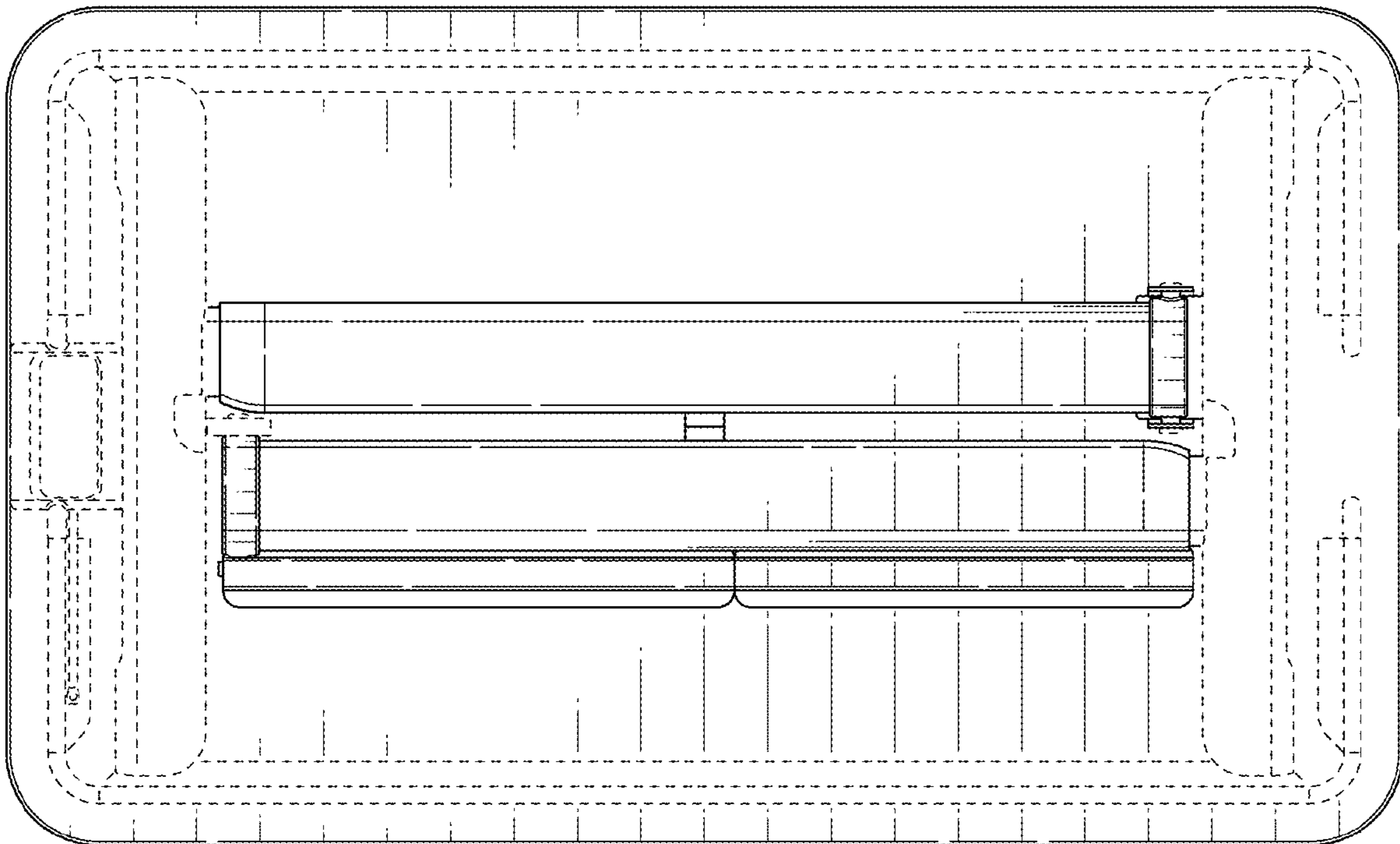


FIG. 15

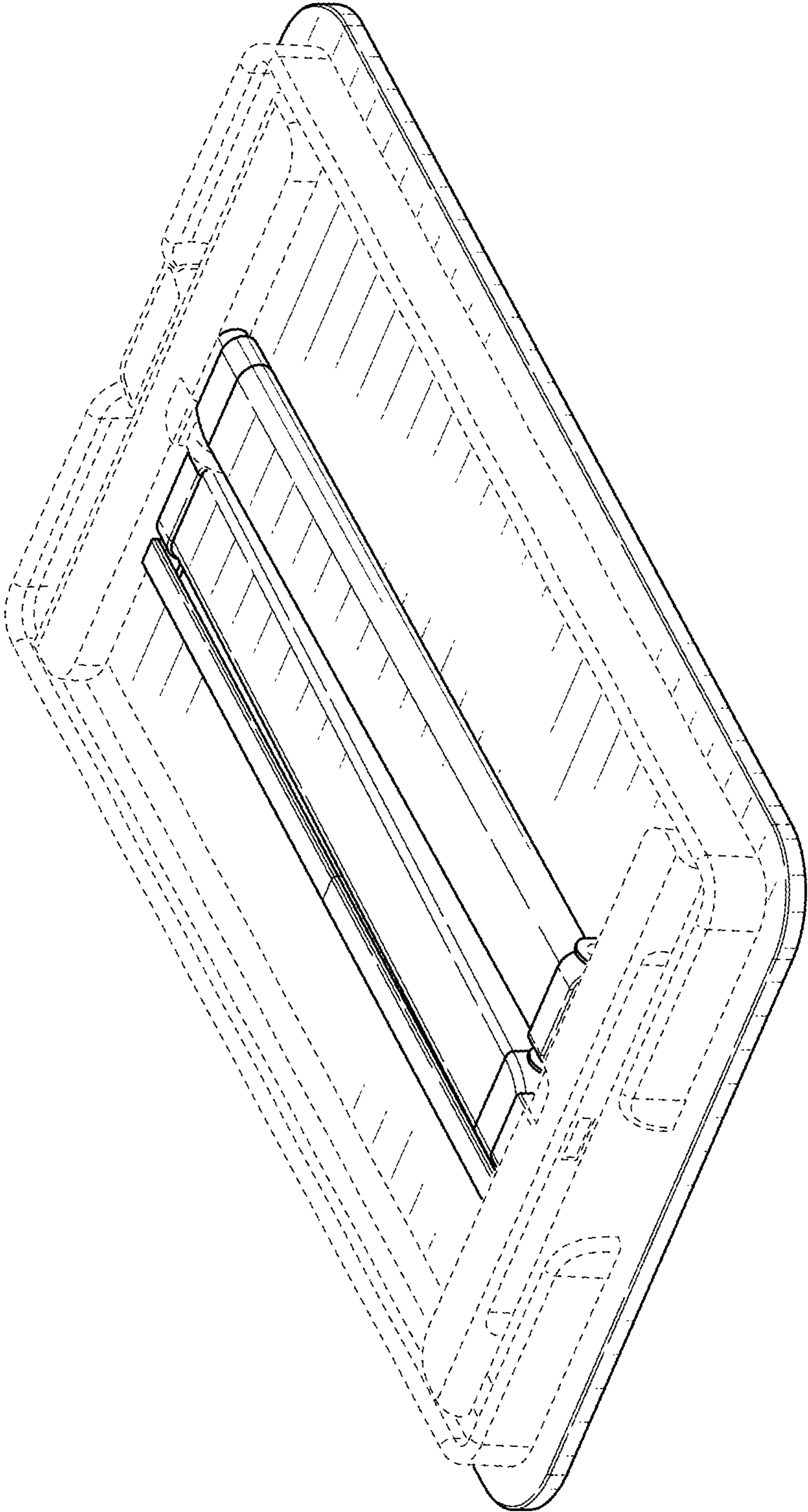


FIG. 16

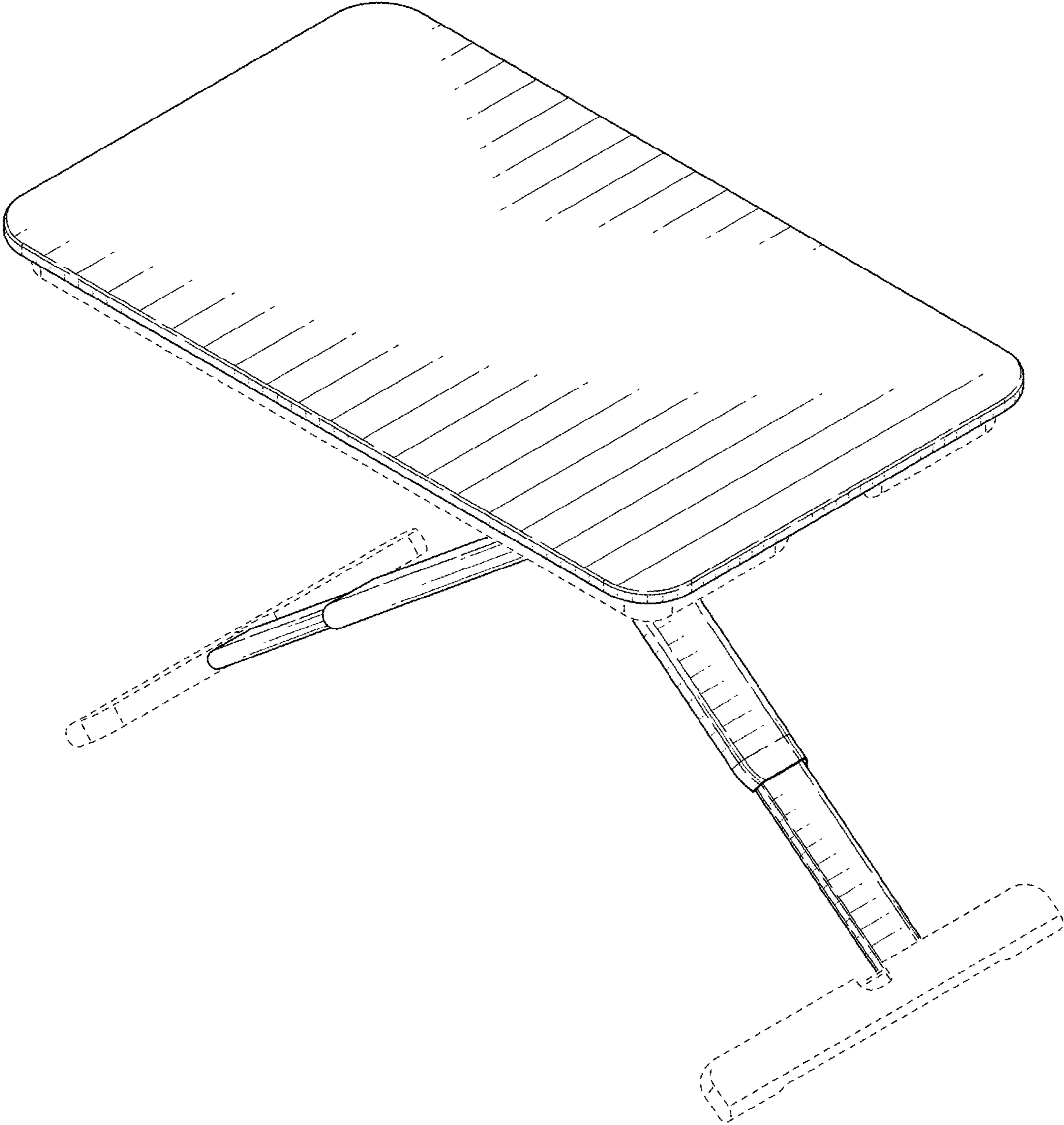


FIG. 17



FIG. 18