

US00D961309S

(12) **United States Design Patent** (10) **Patent No.:** **US D961,309 S**  
**Brugger et al.** (45) **Date of Patent:** **\*\* Aug. 23, 2022**

(54) **RETAIL FIXTURE**

(56) **References Cited**

(71) Applicant: **Apple Inc.**, Cupertino, CA (US)

U.S. PATENT DOCUMENTS

(72) Inventors: **Alice Marlin Brugger**, San Francisco, CA (US); **Manuel Dejesus**, San Francisco, CA (US); **Joshua Robert Edwards**, Santa Cruz, CA (US); **Jean-Marc Gady**, Los Altos, CA (US); **Wesley Bryan Hamm**, San Francisco, CA (US); **Russell John Kaaihue Heirakuji**, Cupertino, CA (US); **Allison Inouye**, San Francisco, CA (US); **Moritz Wilsberg**, Rheinbreitbach (DE)

435,254 A	8/1890	Straughan
455,280 A	6/1891	Emerson
464,148 A	12/1891	Campbell
D41,125 S	1/1911	Klee
D144,844 S	5/1945	Dunham
3,014,773 A	12/1961	Foote, Jr. et al.
3,408,128 A	10/1968	Kump
D212,886 S	12/1968	Gordon
D218,325 S	8/1970	Sherman
3,721,413 A	3/1973	Robinson
3,740,881 A	6/1973	Finger
D232,289 S	8/1974	Moretine
4,116,509 A	9/1978	Smith
D250,868 S	1/1979	Ornatek
4,144,664 A	3/1979	De Korte
4,193,650 A	3/1980	Gray et al.
D256,197 S	8/1980	Kates
D262,664 S	1/1982	Willits, Jr.
D264,731 S	6/1982	Shuman
D265,618 S	8/1982	Robertson et al.
D274,203 S	6/1984	Evered
D277,057 S	1/1985	Franklin
D279,201 S	6/1985	Shuman
D288,997 S	3/1987	Kraynak
D290,204 S	6/1987	Bruget
D291,512 S	8/1987	Everett
D307,079 S	4/1990	Robertson
D314,877 S	2/1991	Bush et al.
D317,681 S	6/1991	Stewart et al.
D321,100 S	10/1991	Dorrell
D323,944 S	2/1992	Maas
D324,701 S	3/1992	Capps
D329,155 S	9/1992	Schremmer
D335,963 S	6/1993	Tracey
D342,846 S	1/1994	Stefanowicz
5,316,156 A	5/1994	Land et al.
D347,755 S	6/1994	Houston
D351,863 S	10/1994	Sarkisian et al.
5,369,553 A	11/1994	Trusiani
D354,638 S	1/1995	Todd et al.
D359,488 S	6/1995	Hui
D362,236 S	9/1995	Dann et al.
D365,947 S	1/1996	Howard
D369,044 S	4/1996	Lechleiter et al.
5,577,817 A	11/1996	Reynolds
D377,012 S	12/1996	Oslund
5,607,070 A	3/1997	Hellyer
D379,377 S	5/1997	Rath
D389,345 S	1/1998	Grosfillex

(73) Assignee: **Apple Inc.**, Cupertino, CA (US)

(\*\*) Term: **15 Years**

(21) Appl. No.: **29/818,395**

(22) Filed: **Dec. 8, 2021**

**Related U.S. Application Data**

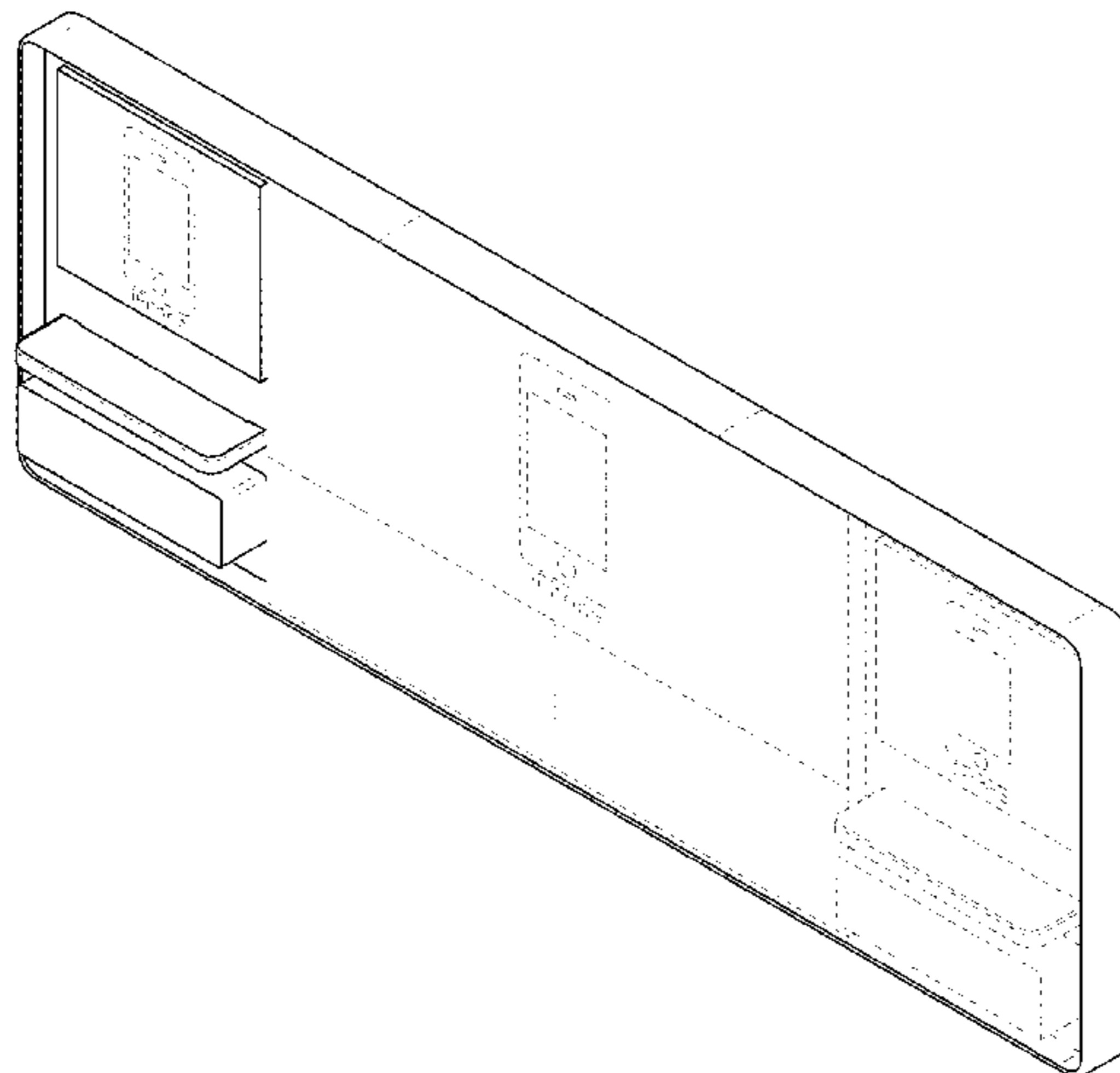
(63) Continuation of application No. 29/780,928, filed on Apr. 27, 2021, now Pat. No. Des. 938,202, which is a continuation of application No. 29/736,372, filed on May 29, 2020, now Pat. No. Des. 917,936, which is a continuation of application No. 29/656,129, filed on Jul. 10, 2018, now Pat. No. Des. 885,805.

(51) **LOC (13) Cl.** ..... **06-06**

(52) **U.S. Cl.**  
USPC ..... **D6/675**

(58) **Field of Classification Search**  
USPC ..... D6/672, 675, 675.1, 678, 678.1, 682, D6/682.3, 682.4, 683, 683.1  
CPC ..... A47B 73/00; A47B 73/002; A47B 47/00; A47B 47/008; A47B 47/25; A47F 5/00; A47F 5/0062

See application file for complete search history.



# US D961,309 S

D392,686 S	3/1998	Sarkisian et al.		D644,039 S	8/2011	Naples et al.	
D395,677 S	6/1998	Gongora et al.		D646,503 S	10/2011	Fiori	
D396,251 S	7/1998	Mortensen		D648,783 S	11/2011	Mathea	
D397,562 S	9/1998	DePottey et al.		D649,192 S	11/2011	Beukema et al.	
D398,462 S	9/1998	Baluk et al.		D653,475 S	2/2012	Thompson	
D398,653 S	9/1998	Hiraguchi et al.		D655,947 S	3/2012	Doane	
D400,737 S	11/1998	DePottey et al.		D657,978 S	4/2012	Hamm et al.	
D408,383 S	4/1999	Carter et al.		D658,615 S	5/2012	Chiu	
5,890,607 A	4/1999	Maglione		D660,361 S	5/2012	Carver, Jr.	
D410,036 S	5/1999	Washington		D661,123 S	6/2012	Curbbun et al.	
D427,808 S	7/2000	Bedard		D661,124 S	6/2012	Curbbun et al.	
D434,451 S	11/2000	Grimshaw		D661,922 S	6/2012	Mitri	
D434,929 S	12/2000	Heiny et al.		8,228,668 B2	7/2012	Asamarai et al.	
6,164,467 A	12/2000	DePottey et al.		D671,535 S	11/2012	Terashima et al.	
6,170,678 B1	1/2001	de la Fuente		D676,430 S	2/2013	Blaser	
D438,256 S	2/2001	Timmermans et al.		D678,696 S	3/2013	Hamm et al.	
D438,403 S	3/2001	Greenburg		D678,969 S	3/2013	Oldknow et al.	
D439,445 S	3/2001	Riga et al.		D679,521 S	4/2013	Hamm et al.	
D442,796 S	5/2001	Brozak, Jr.		D680,350 S	4/2013	Peake-Atkins et al.	
D443,308 S	6/2001	Kovell		D682,581 S	5/2013	Kikkert et al.	
D446,821 S	8/2001	Decaux		D683,982 S	6/2013	Kikkert et al.	
D451,309 S *	12/2001	Riga .....	D6/672	D684,792 S	6/2013	Kikkert et al.	
6,357,609 B1	3/2002	Van Noord et al.		D685,205 S	7/2013	Kikkert et al.	
D457,016 S	5/2002	Dudley		D688,494 S	8/2013	Hamm et al.	
D458,059 S	6/2002	Dudley		D691,838 S	10/2013	Hinkle	
D463,499 S	9/2002	Marcos		D693,156 S	11/2013	Hamm et al.	
D465,529 S	11/2002	Hummell		8,602,227 B1	12/2013	McDonald	
D468,134 S	1/2003	Oikawa		D699,056 S *	2/2014	Woelfel .....	D6/672
D470,892 S	2/2003	Linko, Sr.		D700,901 S	3/2014	Giglio et al.	
D478,582 S	8/2003	Becker et al.		D708,459 S	7/2014	Heirakuji et al.	
D481,883 S *	11/2003	Richardson .....	D6/673	D708,872 S *	7/2014	Woelfel .....	D6/672
D488,633 S *	4/2004	Richardson .....	D6/673	D709,952 S	7/2014	Logan et al.	
D495,901 S	9/2004	Bosman		D713,658 S	9/2014	Tio et al.	
D497,485 S	10/2004	Resultan		D717,085 S	11/2014	Trinh et al.	
D497,495 S *	10/2004	Richardson .....	D6/662.1	D717,573 S	11/2014	Fishman et al.	
D501,284 S	1/2005	Mount		D722,313 S	2/2015	Birgeoglu	
D501,889 S	2/2005	Harris et al.		D722,794 S	2/2015	Luong	
D509,543 S	9/2005	Hillstrom et al.		D723,025 S	2/2015	Birgeoglu	
D515,846 S	2/2006	Reeves et al.		D723,026 S	2/2015	Birgeoglu	
D521,275 S	5/2006	Dusenberry		D725,108 S	3/2015	Yeon	
D522,274 S	6/2006	Coval		D725,947 S	4/2015	Tio et al.	
D538,068 S	3/2007	Newhouse et al.		D727,995 S	4/2015	Vilcovsky	
D538,556 S	3/2007	Arias		D728,281 S	5/2015	Heirakuji et al.	
D543,561 S	5/2007	Fogarty et al.		D728,283 S	5/2015	Weshler et al.	
7,228,654 B2	6/2007	Stravitz		D730,852 S	6/2015	Park et al.	
D554,907 S	11/2007	Edison et al.		D734,965 S	7/2015	Tio et al.	
D554,908 S	11/2007	Edison et al.		D737,604 S	9/2015	Bridger et al.	
D557,041 S *	12/2007	Lee .....	D6/702	D741,091 S	10/2015	Tio et al.	
D559,577 S	1/2008	Quinn		D742,455 S	11/2015	Denby et al.	
D559,581 S	1/2008	Knoettgen-Nap		D742,870 S	11/2015	Berini	
D576,426 S	9/2008	Yuen-Schat et al.		D750,970 S	3/2016	Moreno	
D584,075 S	1/2009	Hung		D753,754 S	4/2016	Vilcovsky et al.	
D585,943 S	2/2009	Pymm et al.		D756,137 S	5/2016	Abelmann et al.	
D590,630 S	4/2009	Singler et al.		D758,105 S	6/2016	Taraczky	
D591,078 S	4/2009	Singler et al.		D758,106 S	6/2016	Hamm et al.	
D591,079 S	4/2009	Singler et al.		D763,605 S	8/2016	Bridger et al.	
D591,531 S	5/2009	Sparkowski		D767,922 S	10/2016	Jussila	
D591,974 S	5/2009	Singler et al.		D769,021 S	10/2016	Green et al.	
D591,979 S	5/2009	Singler et al.		D769,651 S	10/2016	Tio et al.	
D592,422 S	5/2009	Rheault		D770,203 S	11/2016	Thaler et al.	
D593,775 S	6/2009	Singler et al.		D778,087 S	2/2017	Mandon et al.	
D597,340 S	8/2009	Helgesen et al.		D779,240 S	2/2017	Tio et al.	
D607,669 S	1/2010	Trinh et al.		D779,859 S	2/2017	Richardson et al.	
D607,670 S	1/2010	Trinh et al.		D785,975 S	5/2017	Thaler et al.	
D608,565 S	1/2010	Mori		D785,978 S	5/2017	Brown et al.	
D610,832 S	3/2010	Rheault		D785,982 S	5/2017	Brown et al.	
D613,344 S	4/2010	Hradisky		D790,260 S	6/2017	Tio et al.	
D632,903 S	2/2011	Paul		D795,751 S	8/2017	Roth et al.	
D636,441 S	4/2011	Potts		D796,234 S	9/2017	Thaler et al.	
D637,421 S	5/2011	Theisen et al.		D806,447 S	1/2018	Burton et al.	
D637,422 S	5/2011	Theisen et al.		D806,448 S	1/2018	Burton et al.	
D639,086 S	6/2011	Curbbun et al.		D807,086 S	1/2018	Tio et al.	
D641,988 S *	7/2011	Giroux .....	D6/675	D815,864 S	4/2018	Burton et al.	
D641,989 S	7/2011	Giroux et al.		D817,039 S *	5/2018	Adolph .....	D6/657
D641,991 S *	7/2011	Giroux .....	D6/672	D820,619 S *	6/2018	Brugger .....	D6/675.1
D641,992 S	7/2011	Giroux et al.		D821,116 S	6/2018	Hamm et al.	
D642,360 S	8/2011	West		D821,117 S	6/2018	Gorman et al.	
D642,390 S	8/2011	West		D824,702 S	8/2018	Tio et al.	
D642,824 S	8/2011	Theisen et al.		D824,894 S	8/2018	Marasco et al.	

D829,027 S *	9/2018	Hales .....	D6/675
D848,184 S *	5/2019	Campbell .....	D6/662.1
D851,428 S	6/2019	Brugger et al.	
D852,274 S	6/2019	Lim et al.	
D861,385 S *	10/2019	Gorman .....	D6/661
D885,805 S	6/2020	Brugger et al.	
D906,026 S *	12/2020	Inouye .....	D6/675.1
D917,210 S *	4/2021	Kahn .....	D6/673
D917,936 S *	5/2021	Brugger .....	D6/675
D927,896 S *	8/2021	Pedersen .....	D6/657
D930,409 S *	9/2021	Inouye .....	D6/675.1
D938,202 S *	12/2021	Brugger .....	D6/675
D941,613 S *	1/2022	Millar .....	D6/672
2005/0279033 A1	12/2005	Faber et al.	
2007/0170823 A1	7/2007	Stannis et al.	
2014/0306584 A1	10/2014	DeMars	
2016/0217718 A1	7/2016	Silver	
2016/0345752 A1	12/2016	Resch	
2017/0127832 A1	5/2017	Klacking	
2018/0146799 A1	5/2018	Resch	

FOREIGN PATENT DOCUMENTS

EM	002886234-0011	2/2016
EM	002992065-0002	2/2016
KR	30-0703066 S	7/2013
WO	WO DM-082406	10/2013

OTHER PUBLICATIONS

Japanese Patent Office document HB23000547, Nachrichten, dated Feb. 2011 (2 pages).  
Japanese Patent Office document HC14036518 (2 pages).

\* cited by examiner

*Primary Examiner* — Kelley A Donnelly  
(74) *Attorney, Agent, or Firm* — Sterne, Kessler,  
Goldstein & Fox P.L.L.C.

(57) **CLAIM**

The ornamental design for a retail fixture, as shown and described.

**DESCRIPTION**

FIG. 1 is a top front perspective view of a retail fixture showing the claimed design;  
FIG. 2 is a front view thereof;  
FIG. 3 is a rear view thereof;  
FIG. 4 is a left side view thereof;  
FIG. 5 is a right side view thereof;  
FIG. 6 is a top view thereof;  
FIG. 7 is a bottom view thereof;  
FIG. 8 is a top front perspective view of a retail fixture showing the claimed design;  
FIG. 9 is a front view thereof;  
FIG. 10 is a rear view thereof;  
FIG. 11 is a left side view thereof;  
FIG. 12 is a right side view thereof;  
FIG. 13 is a top view thereof;  
FIG. 14 is a bottom view thereof;  
FIG. 15 is a top front perspective view of a retail fixture showing the claimed design;  
FIG. 16 is a front view thereof;  
FIG. 17 is a rear view thereof;  
FIG. 18 is a left side view thereof;  
FIG. 19 is a right side view thereof;  
FIG. 20 is a top view thereof;  
FIG. 21 is a bottom view thereof;  
FIG. 22 is a top front perspective view of a retail fixture showing the claimed design;  
FIG. 23 is a front view thereof;  
FIG. 24 is a rear view thereof;  
FIG. 25 is a left side view thereof;  
FIG. 26 is a right side view thereof;  
FIG. 27 is a top view thereof; and,  
FIG. 28 is a bottom view thereof.  
The broken lines in the figures show portions of the retail fixture that form no part of the claimed design.

**1 Claim, 20 Drawing Sheets**

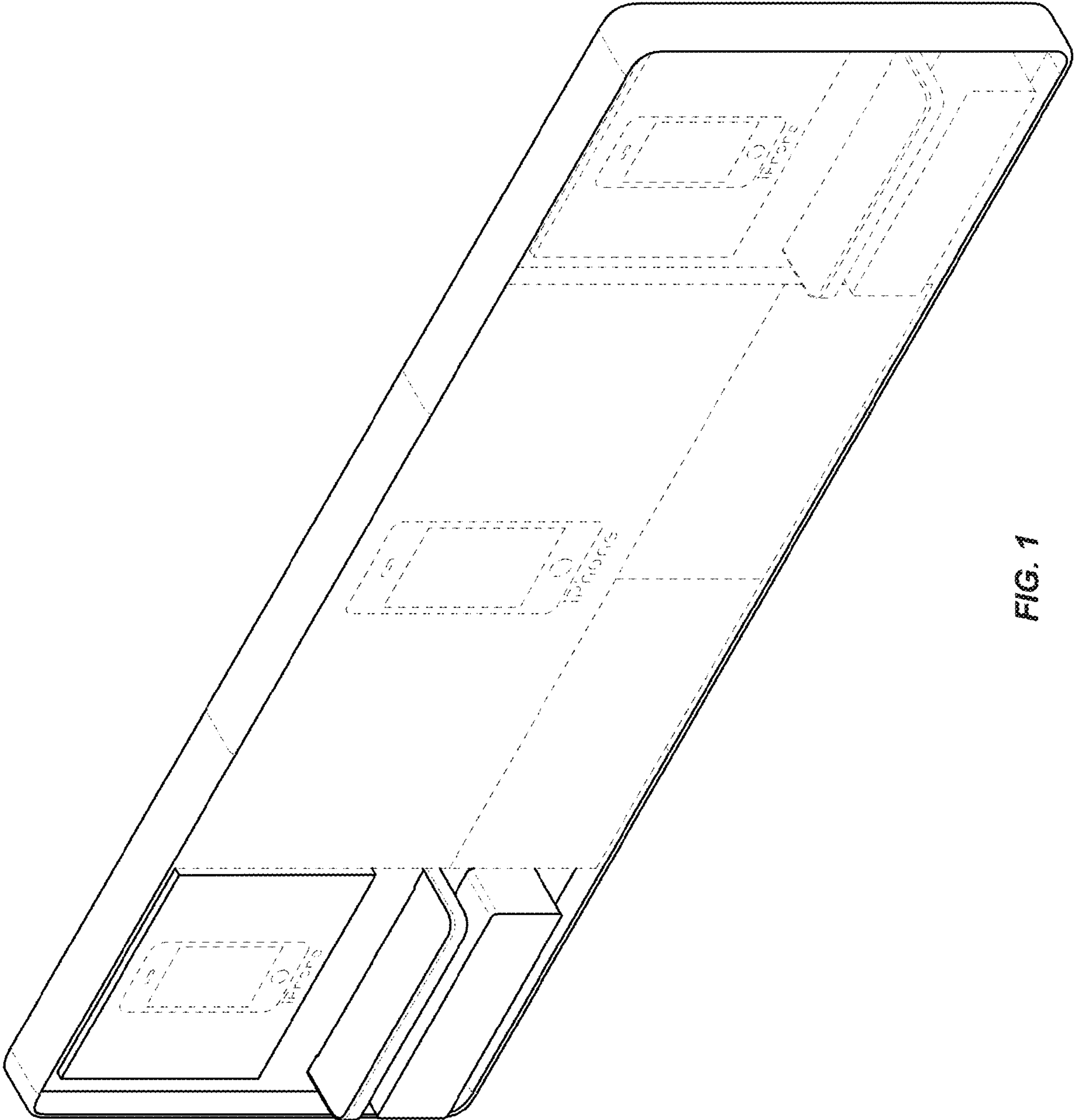


FIG. 1

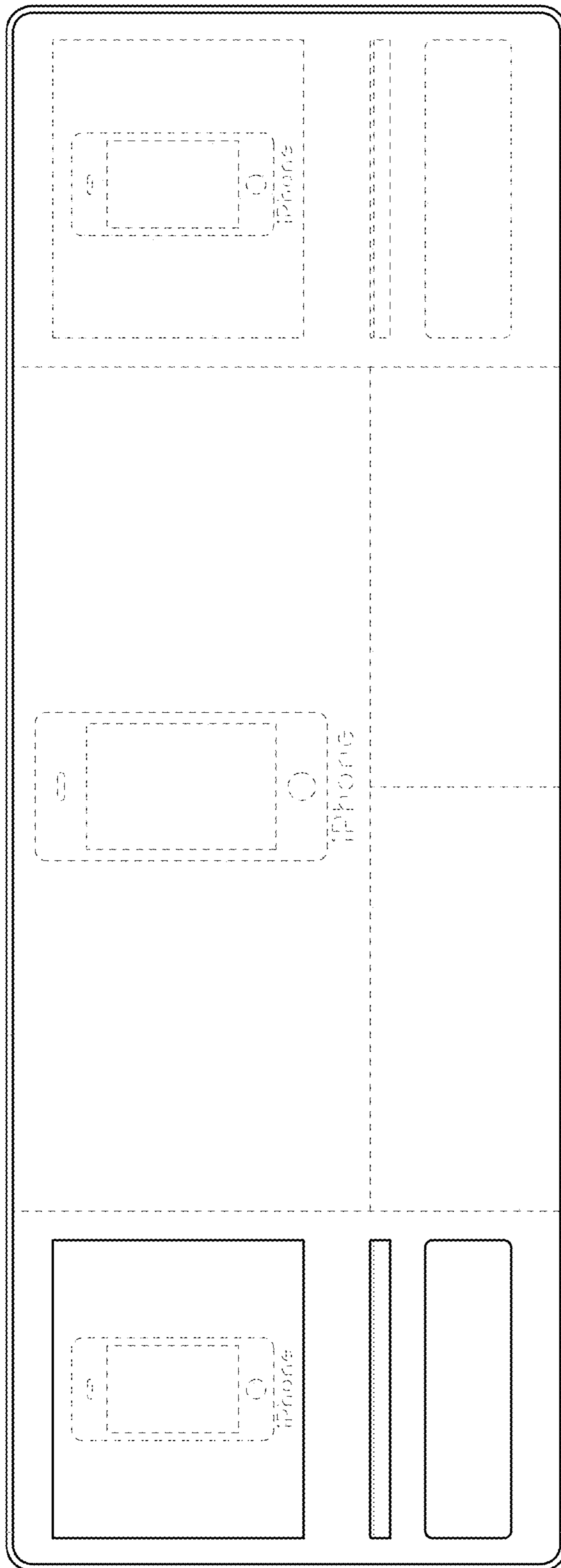


FIG. 2

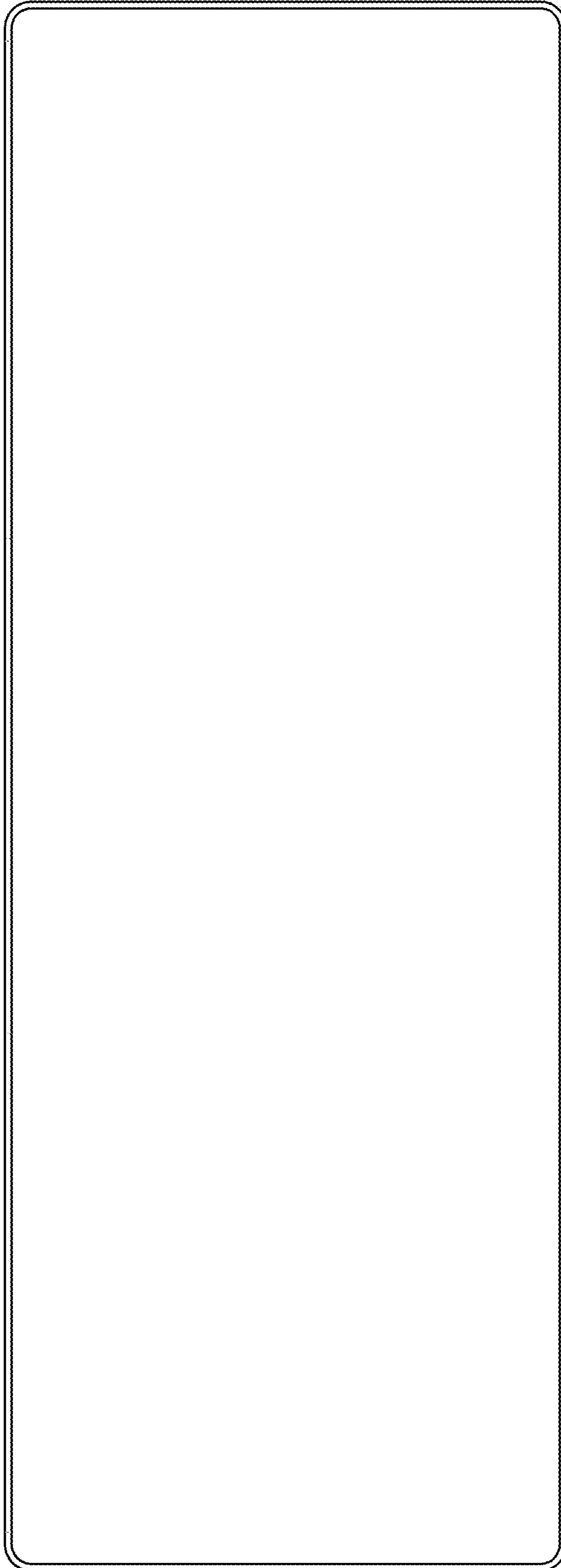


FIG. 3

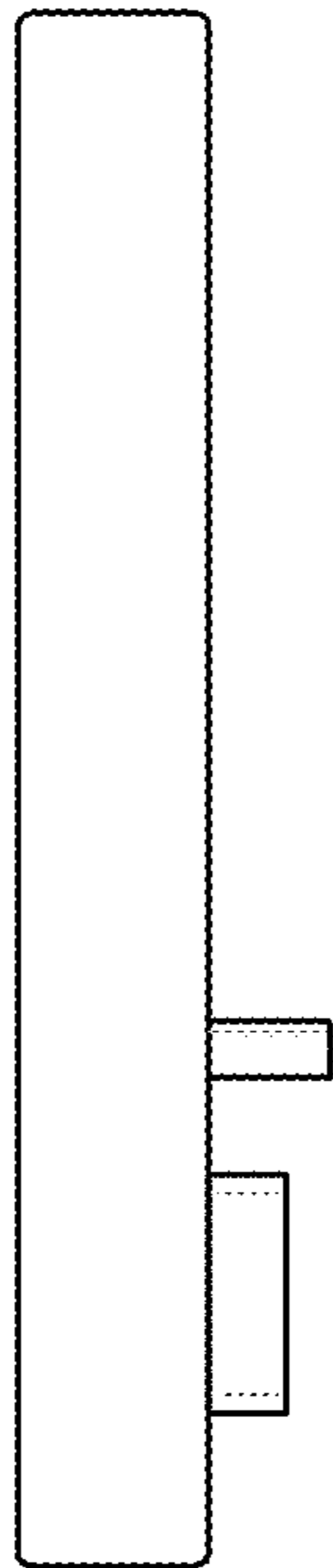


FIG. 4

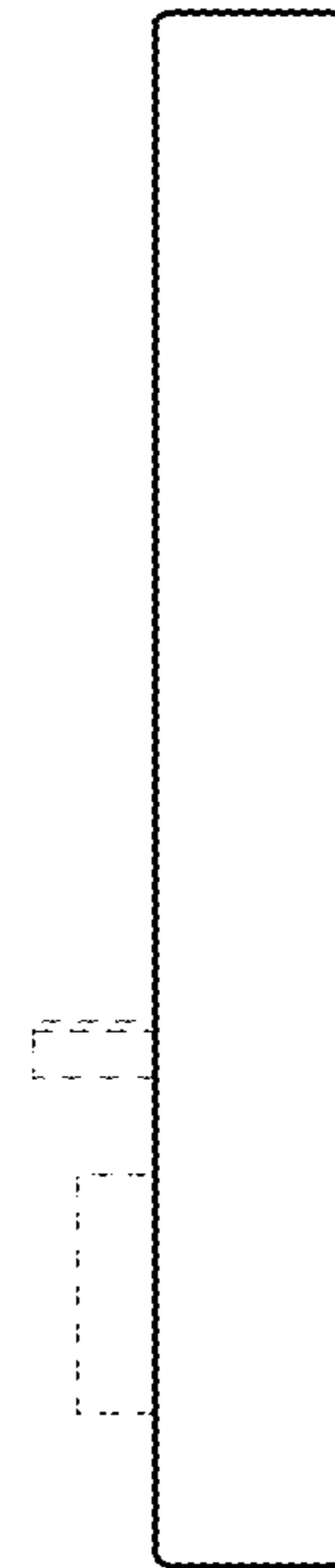


FIG. 5

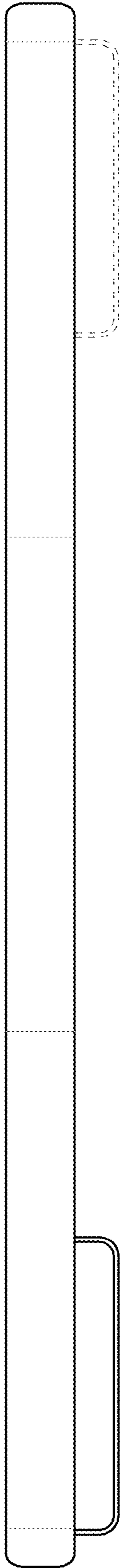


FIG. 6

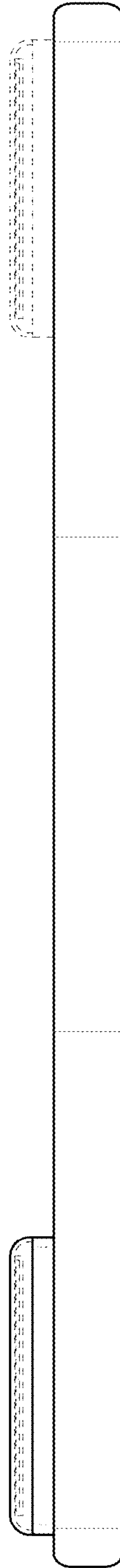


FIG. 7



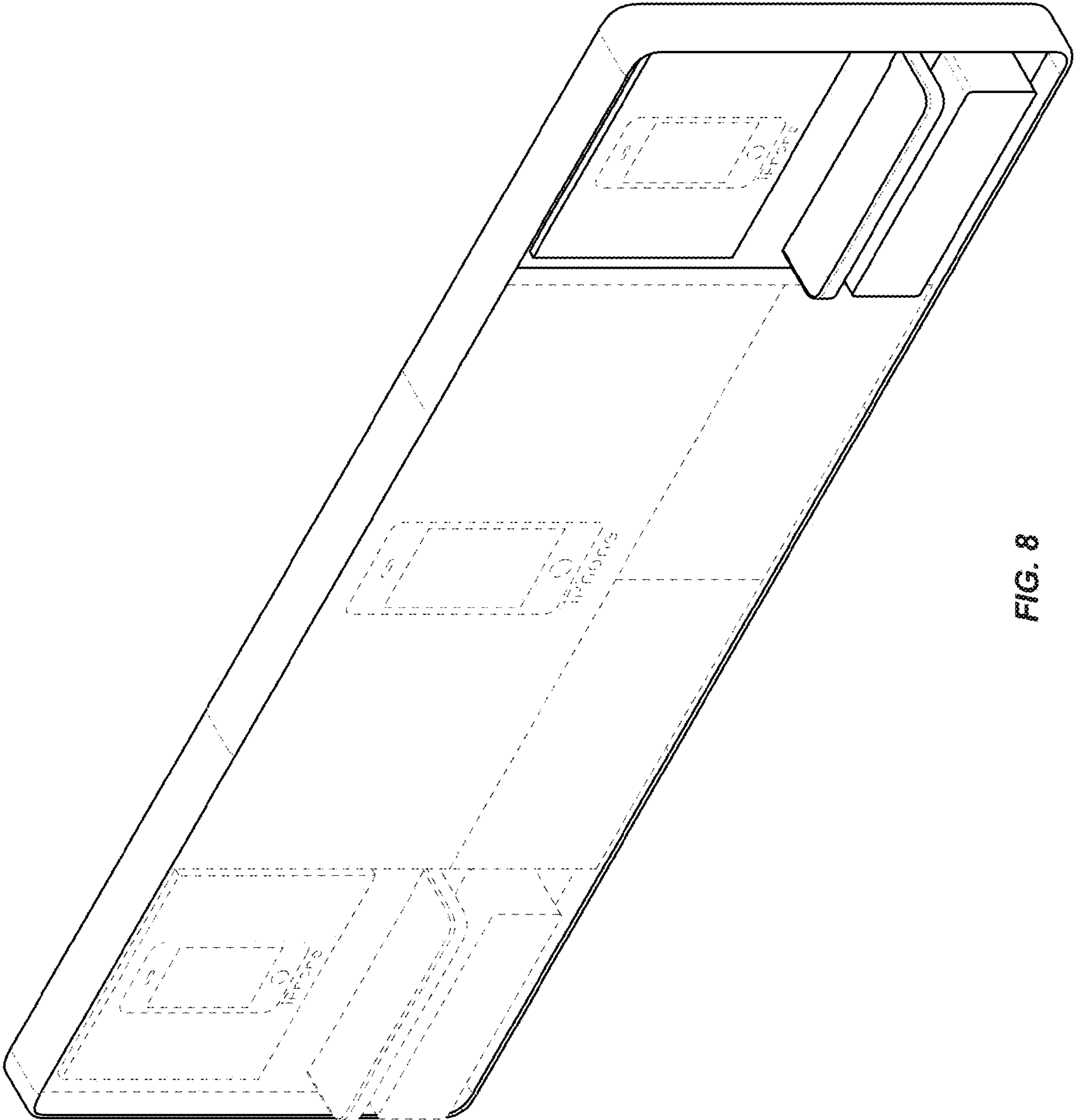


FIG. 8

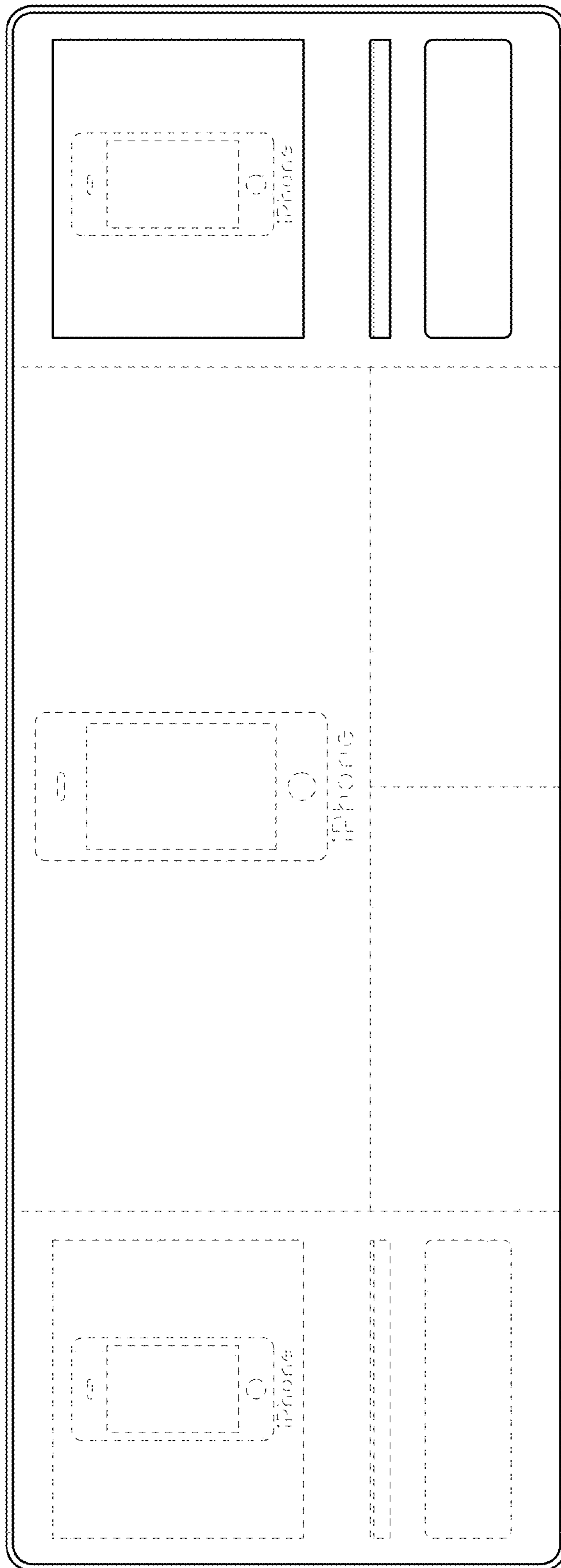


FIG. 9

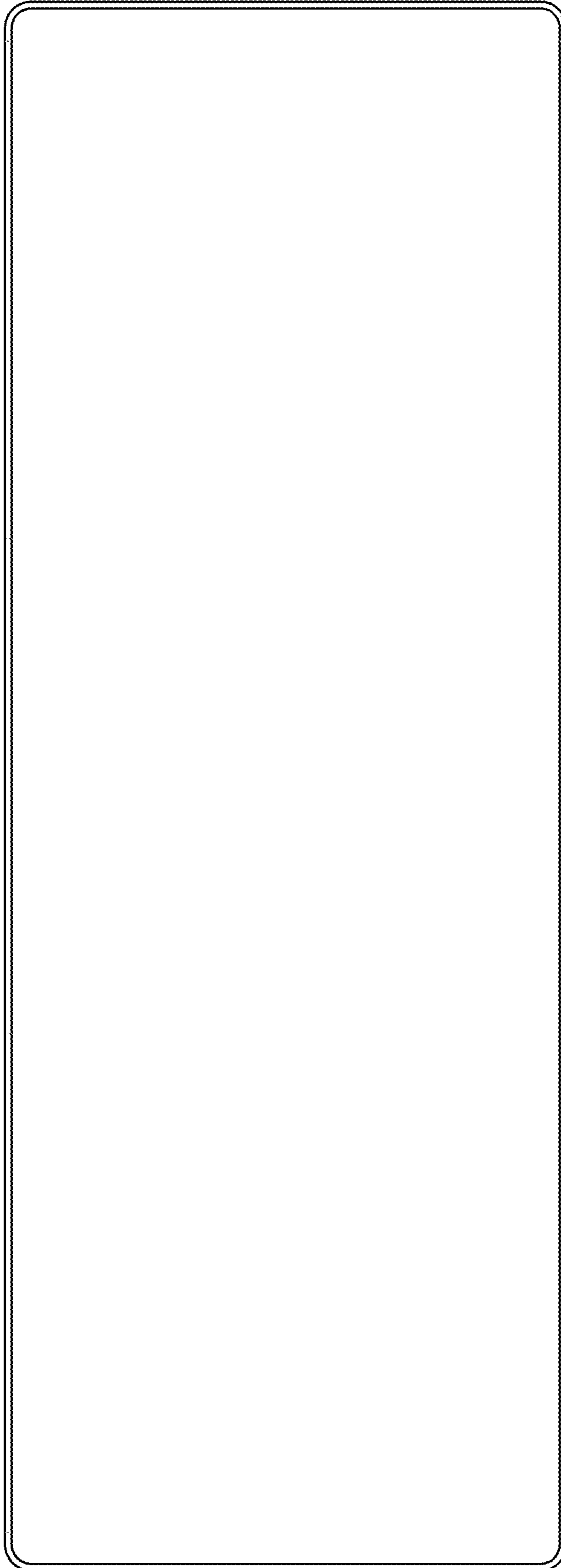
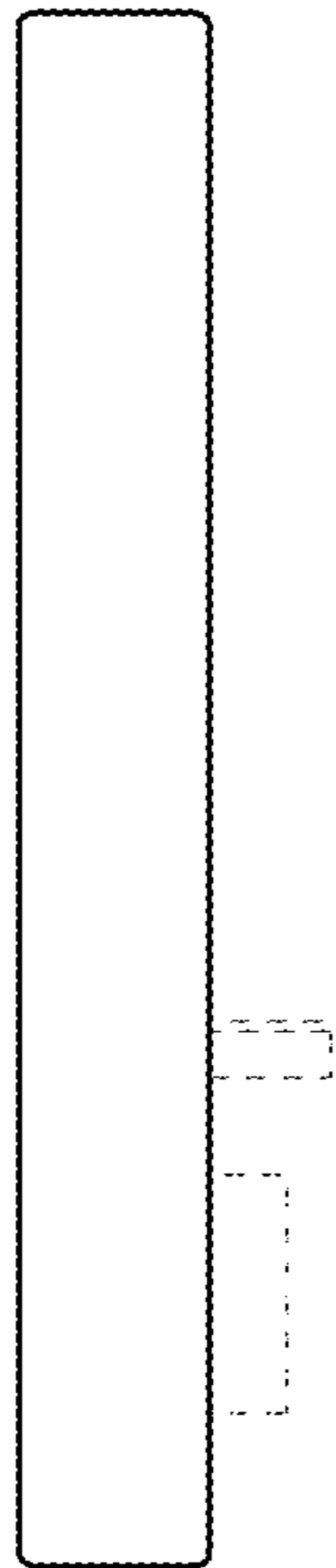
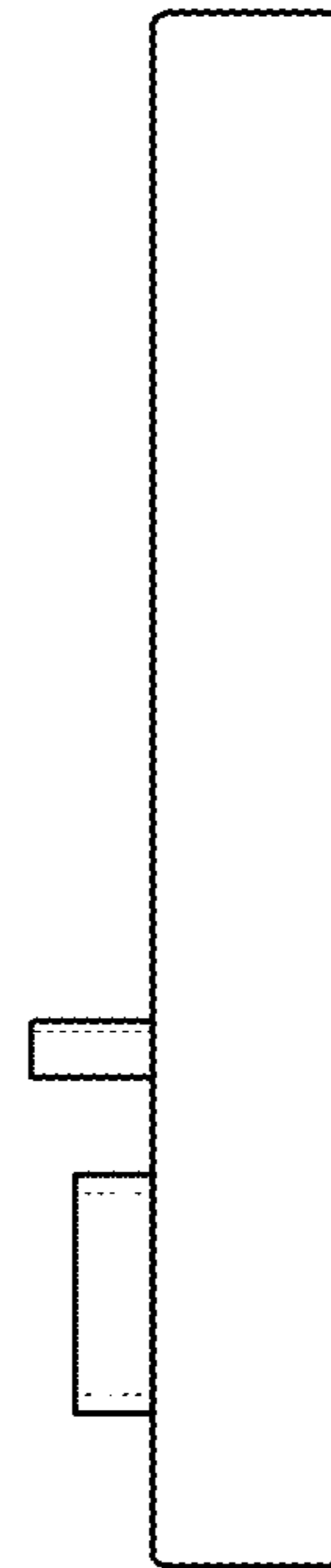


FIG. 10



**FIG. 11**



**FIG. 12**

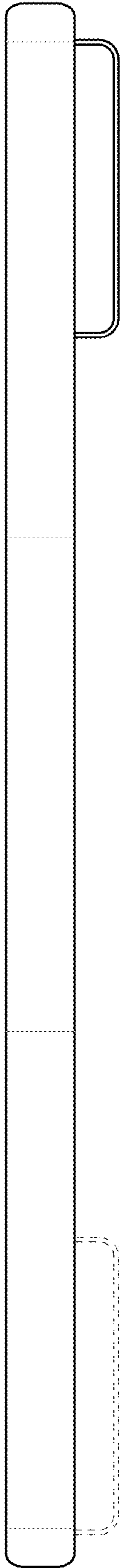


FIG. 13

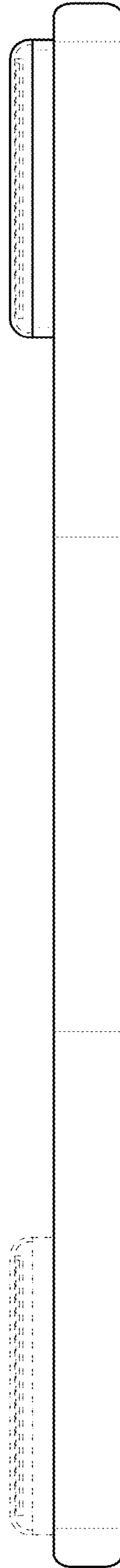


FIG. 14

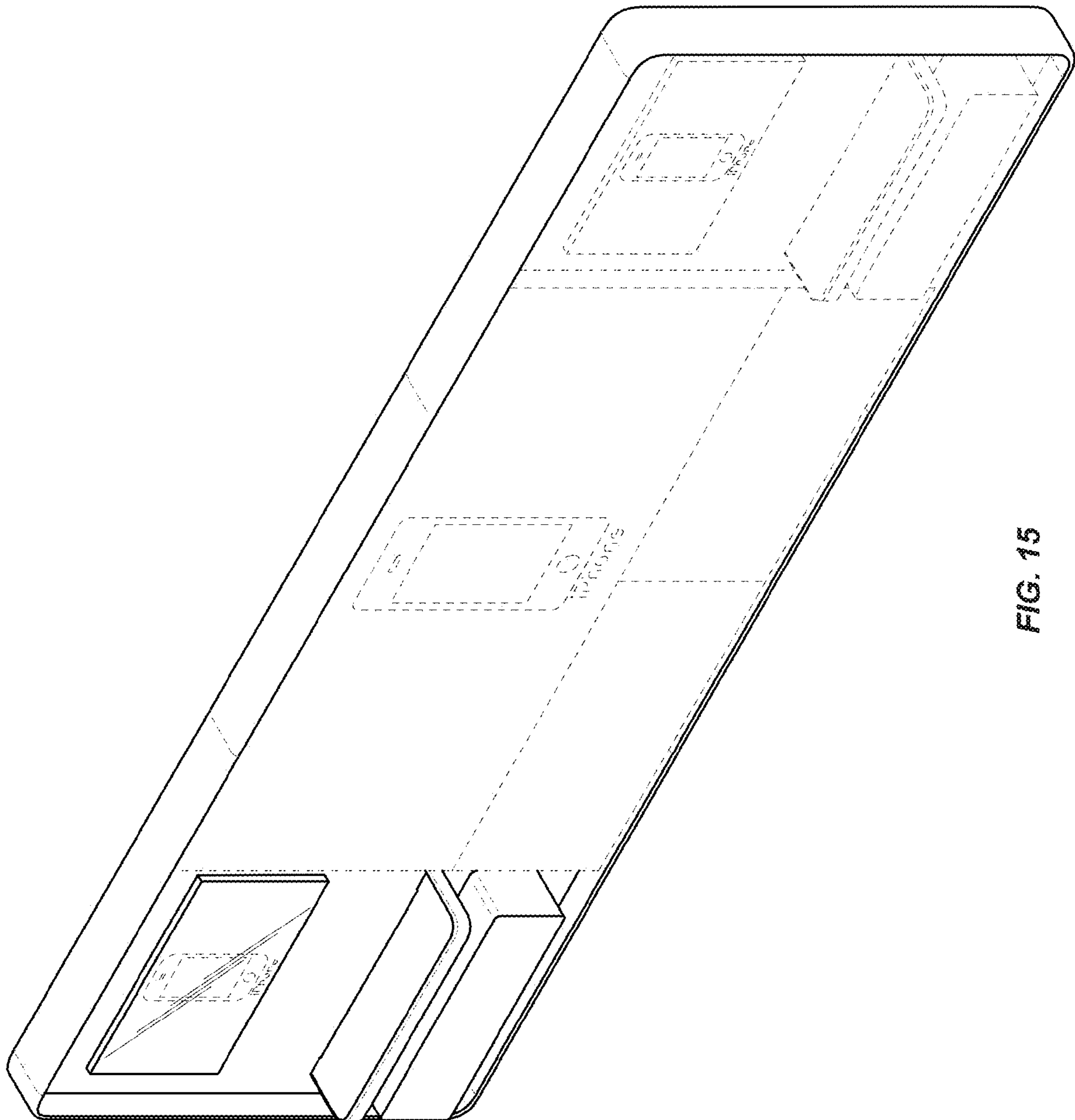


FIG. 15

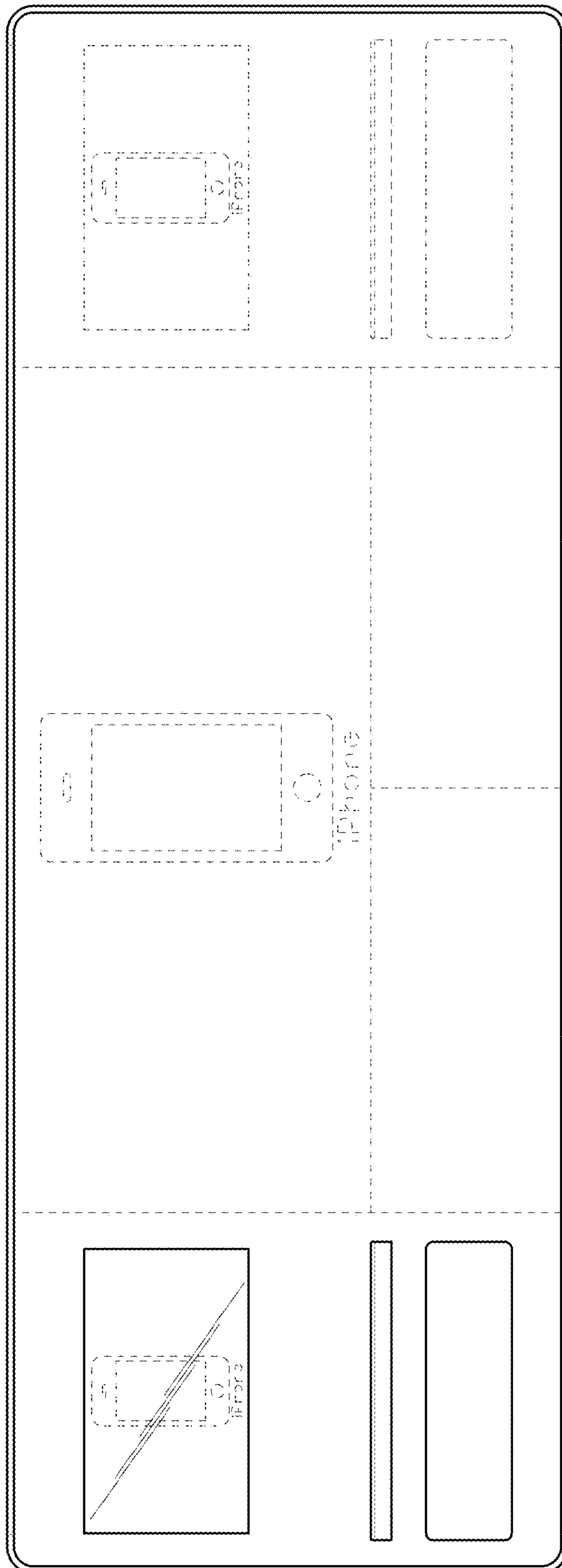


FIG. 16

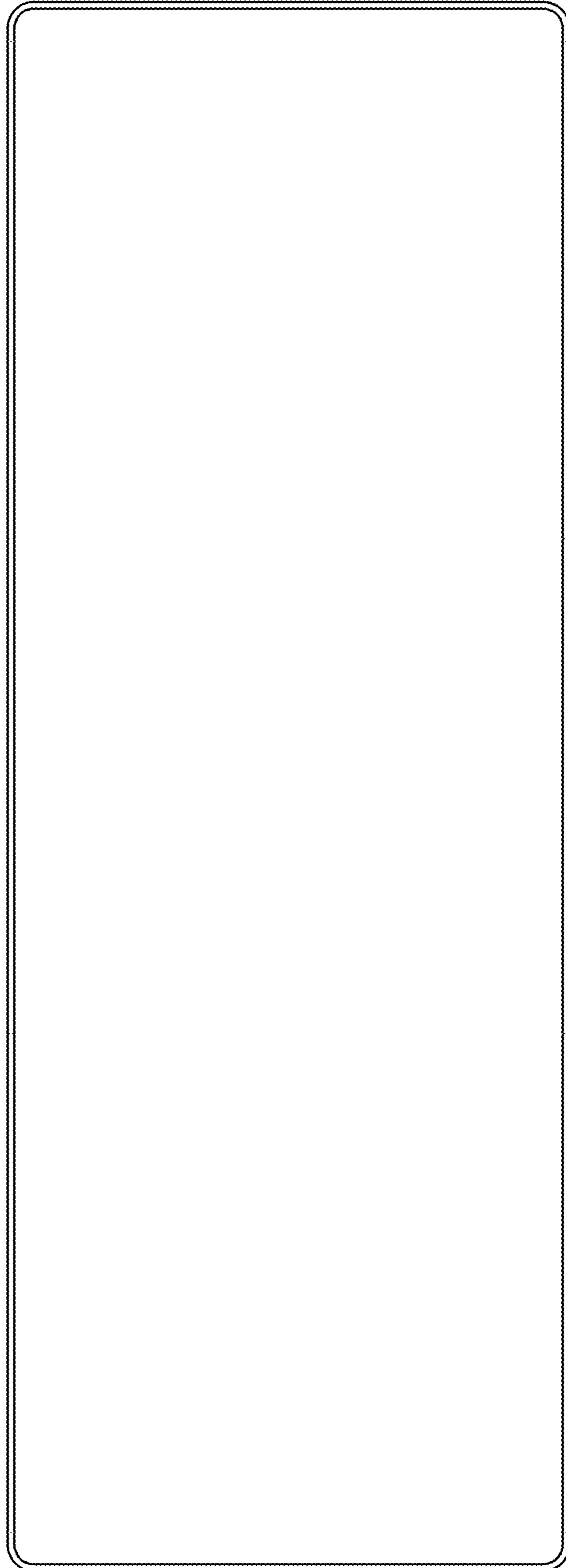


FIG. 17



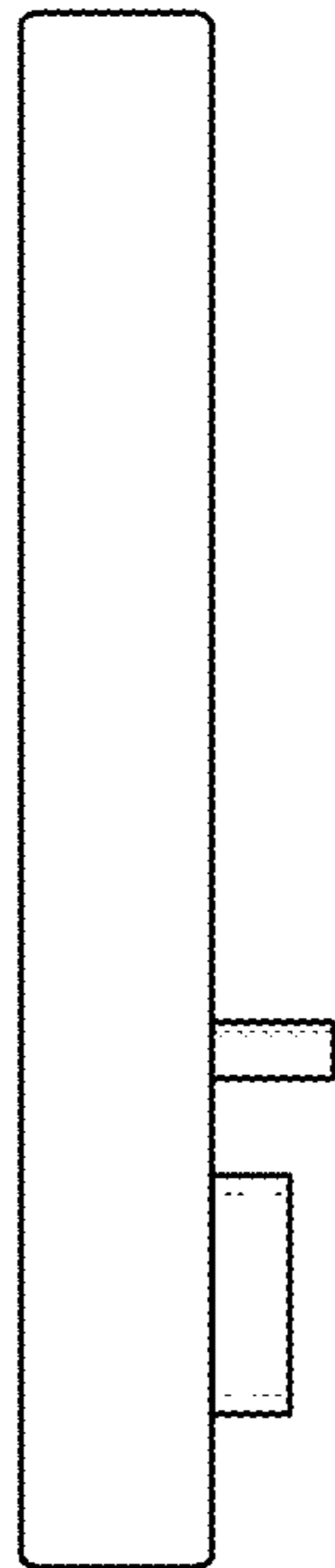


FIG. 18

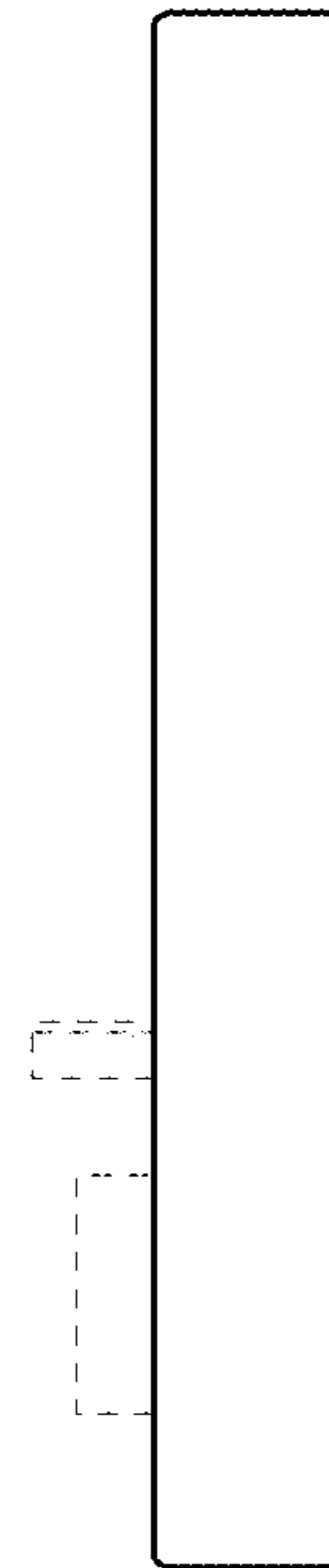


FIG. 19

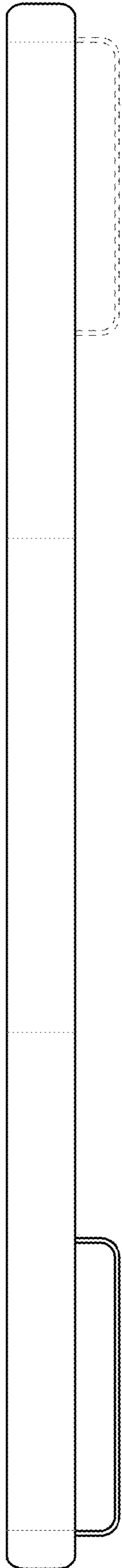


FIG. 20



FIG. 21

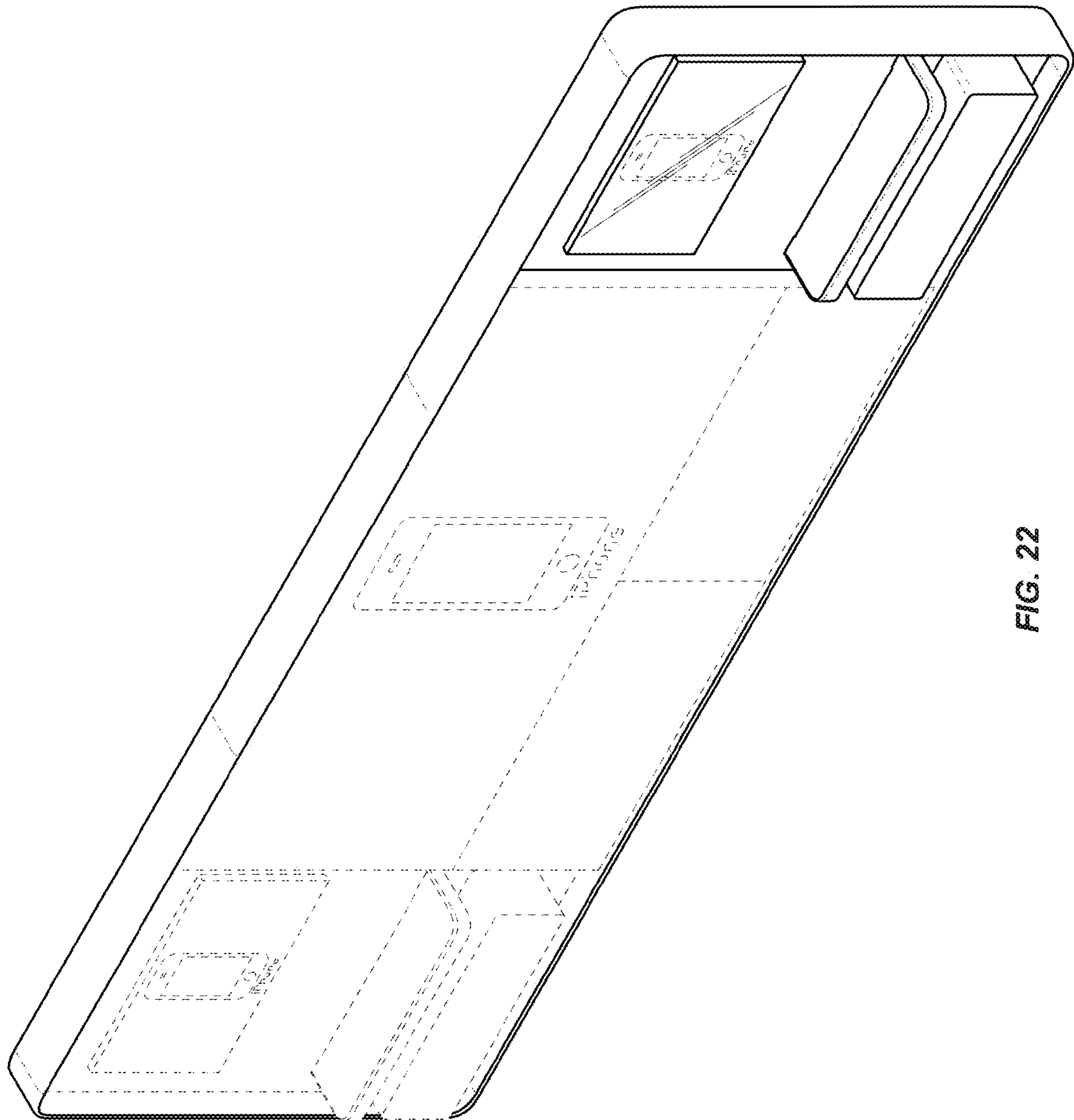


FIG. 22

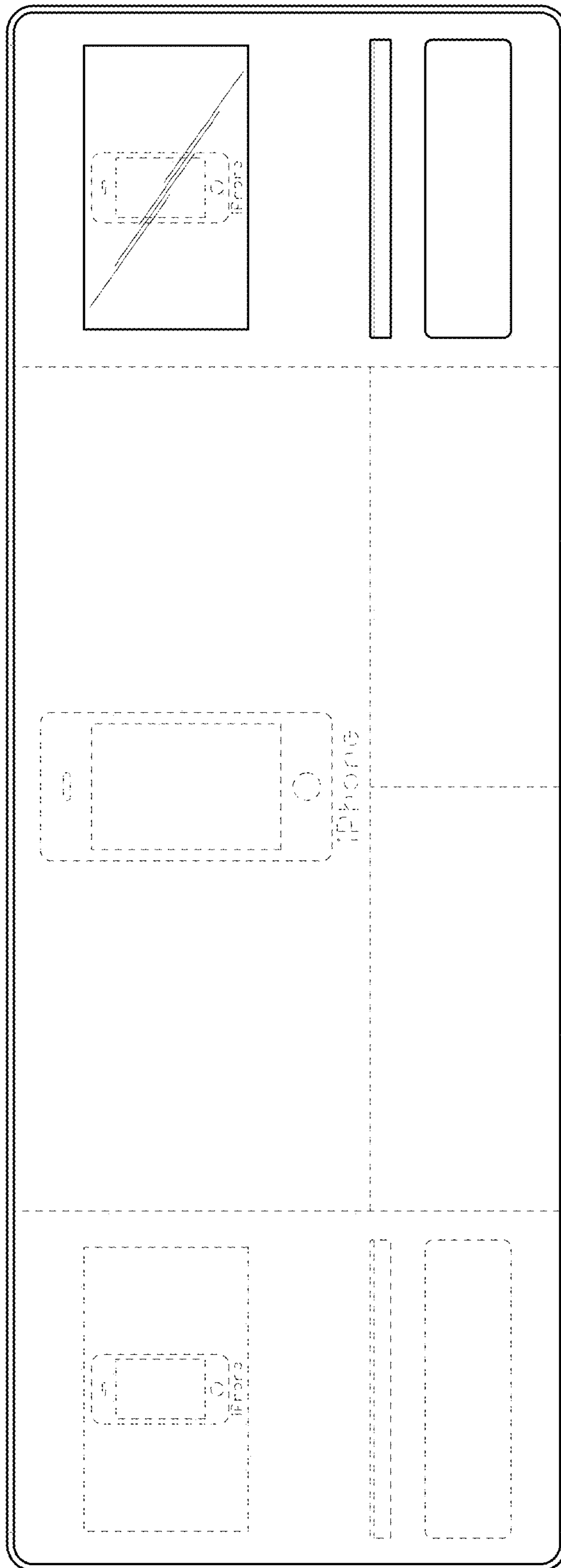


FIG. 23

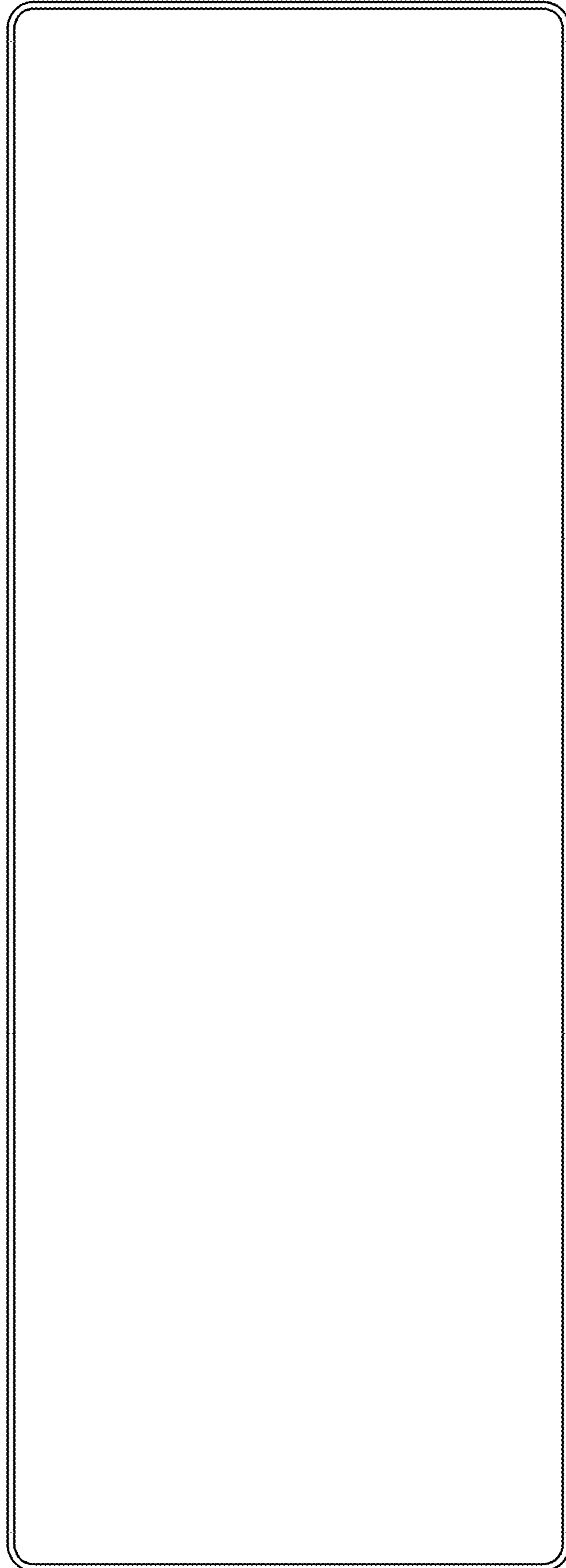


FIG. 24

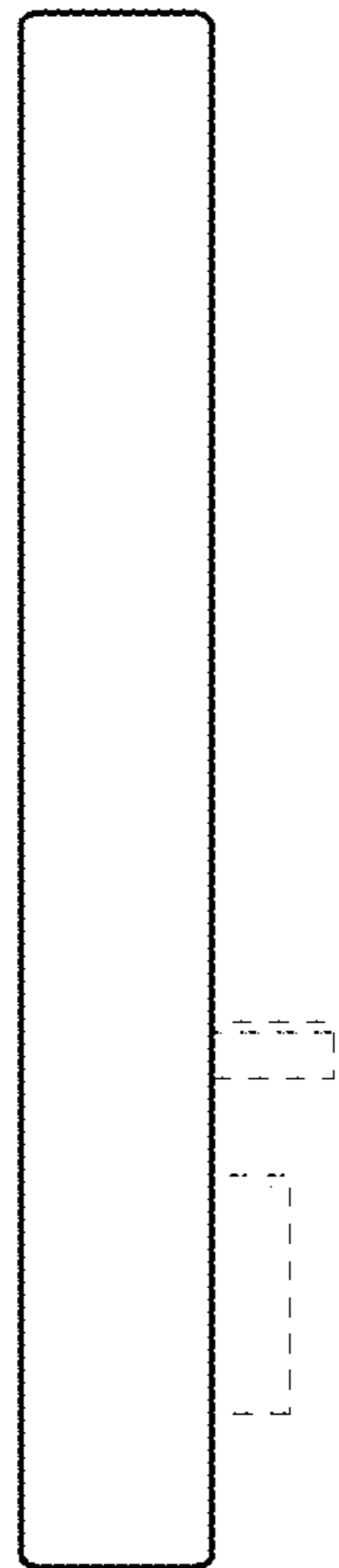


FIG. 25

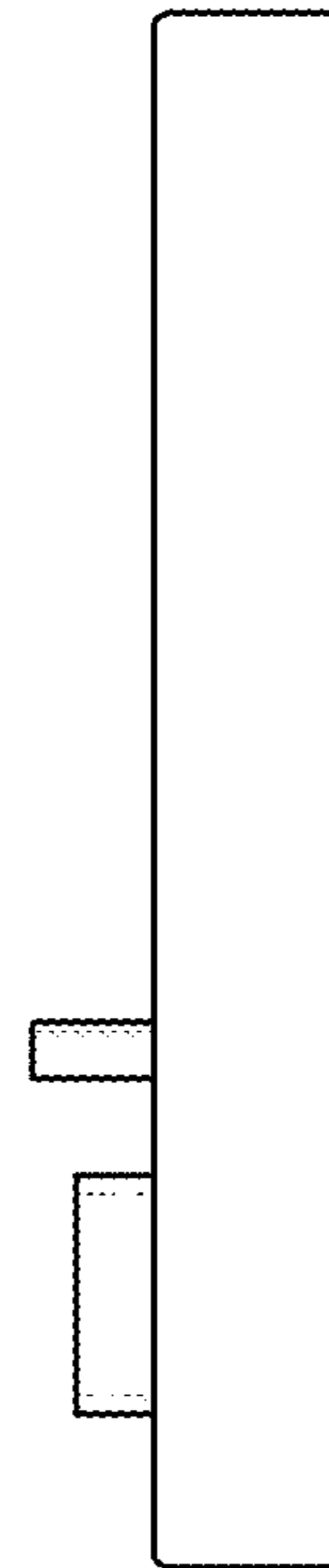


FIG. 26

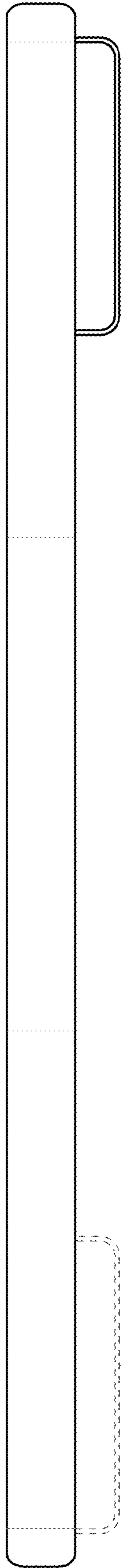


FIG. 27



FIG. 28