



US00D961308S

(12) **United States Design Patent** (10) **Patent No.:** **US D961,308 S**  
**Gady et al.** (45) **Date of Patent:** **\*\* Aug. 23, 2022**

(54) **RETAIL DISPLAY**

(56) **References Cited**

(71) Applicant: **Apple Inc.**, Cupertino, CA (US)

U.S. PATENT DOCUMENTS

(72) Inventors: **Jean-Marc Gady**, Los Altos, CA (US);  
**Kameron Gad**, San Francisco, CA (US);  
**Martynas Laurita**, San Jose, CA (US);  
**Simona M. Szabados**, San Francisco, CA (US);  
**Richard Coward**, San Francisco, CA (US);  
**Adrian E. Magrina**, Santa Cruz, CA (US);  
**Joshua Robert Edwards**, Santa Cruz, CA (US);  
**Gabriel J. Lamb**, Burlingame, CA (US);  
**Gregory Guillaume Lespinard**, San Jose, CA (US);  
**Oladapo Onikuyide**, San Francisco, CA (US);  
**Seung Chae Kang**, New York, NY (US);  
**Indhu V. Solayappan**, Sunnyvale, CA (US);  
**Hyun Jin Kim**, San Francisco, CA (US);  
**Jake A. Nelson**, Berkeley, CA (US);  
**Angela M. Estepa**, San Francisco, CA (US)

D567,535	S	*	4/2008	Hentschker	.....	D6/675
D641,988	S	*	7/2011	Giroux	.....	D6/675
D763,605	S		8/2016	Bridger et al.		
D820,619	S	*	6/2018	Brugger	.....	D6/675.1
D851,428	S		6/2019	Brugger et al.		
D887,750	S	*	6/2020	Edwards	.....	D6/675.1
D906,026	S	*	12/2020	Inouye	.....	D6/675.1
D917,936	S	*	5/2021	Brugger	.....	D6/675
D925,256	S	*	7/2021	Gady	.....	D6/675
D930,409	S	*	9/2021	Inouye	.....	D6/675.1
D937,612	S	*	12/2021	Brugger	.....	D6/675
D937,613	S	*	12/2021	Brugger	.....	D6/675
D938,202	S	*	12/2021	Brugger	.....	D6/675
D946,943	S	*	3/2022	Finger	.....	D6/678.1

\* cited by examiner

*Primary Examiner* — Kelley A Donnelly  
(74) *Attorney, Agent, or Firm* — Sterne, Kessler, Goldstein & Fox P.L.L.C.

(73) Assignee: **Apple Inc.**, Cupertino, CA (US)

(57) **CLAIM**

(\*\*) Term: **15 Years**

The ornamental design for a retail display, as shown and described.

(21) Appl. No.: **29/758,510**

**DESCRIPTION**

(22) Filed: **Nov. 16, 2020**

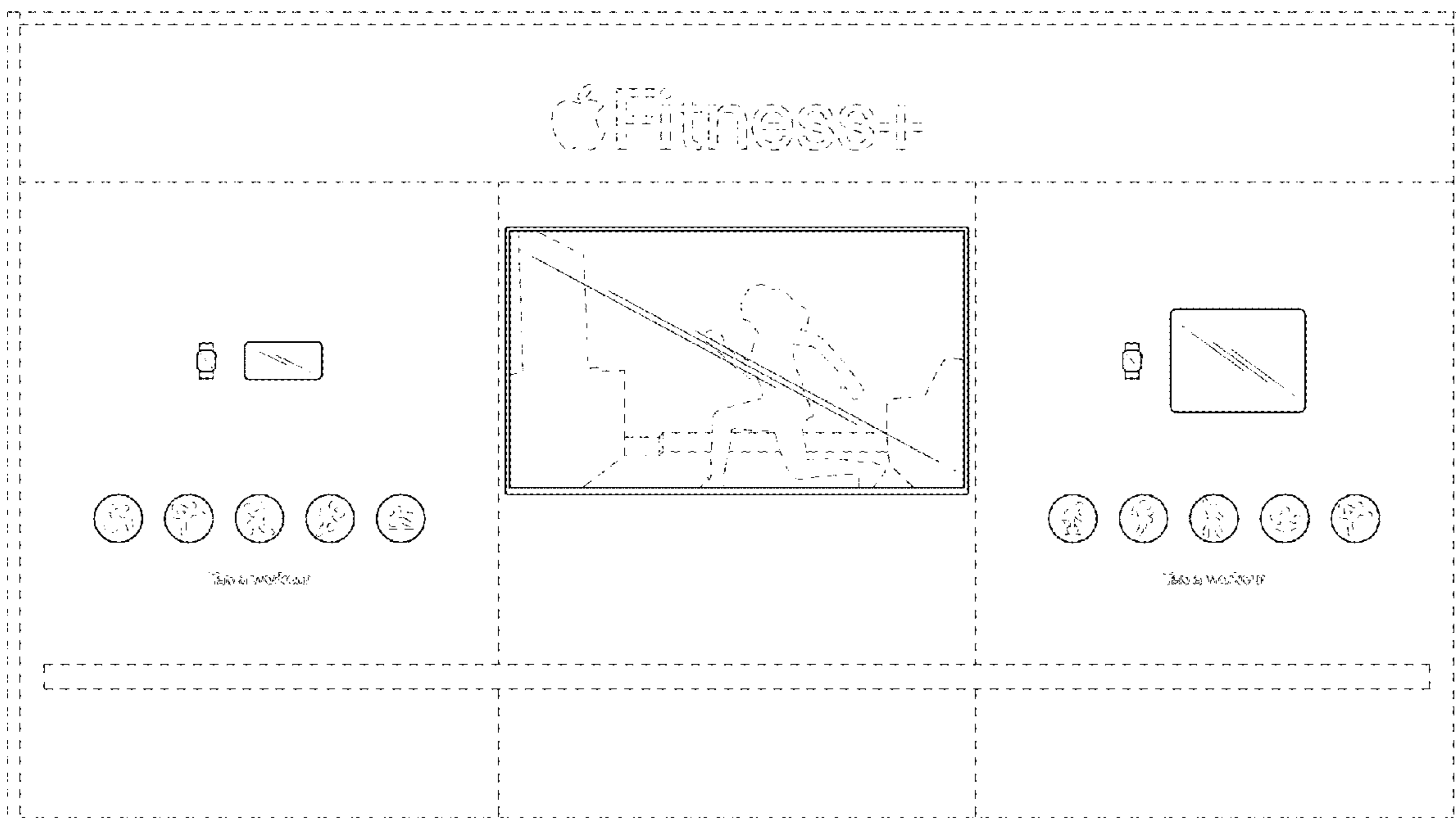
(51) **LOC (13) Cl.** ..... **06-06**

(52) **U.S. Cl.**  
USPC ..... **D6/675**

(58) **Field of Classification Search**  
USPC .... D6/512, 672–673, 675–675.1, 678, 678.1  
CPC ..... A47F 1/04; A47F 5/0006; A47F 5/0018;  
A47F 5/0081; A47F 5/0043; A47B 96/00  
See application file for complete search history.

FIG. 1 is a front view of a retail display showing the claimed design;  
FIG. 2 is a top front perspective view thereof; and,  
FIG. 3 is a bottom front perspective view thereof.  
The broken lines in the figures show portions of the retail display or environment that form no part of the claimed design.

**1 Claim, 3 Drawing Sheets**



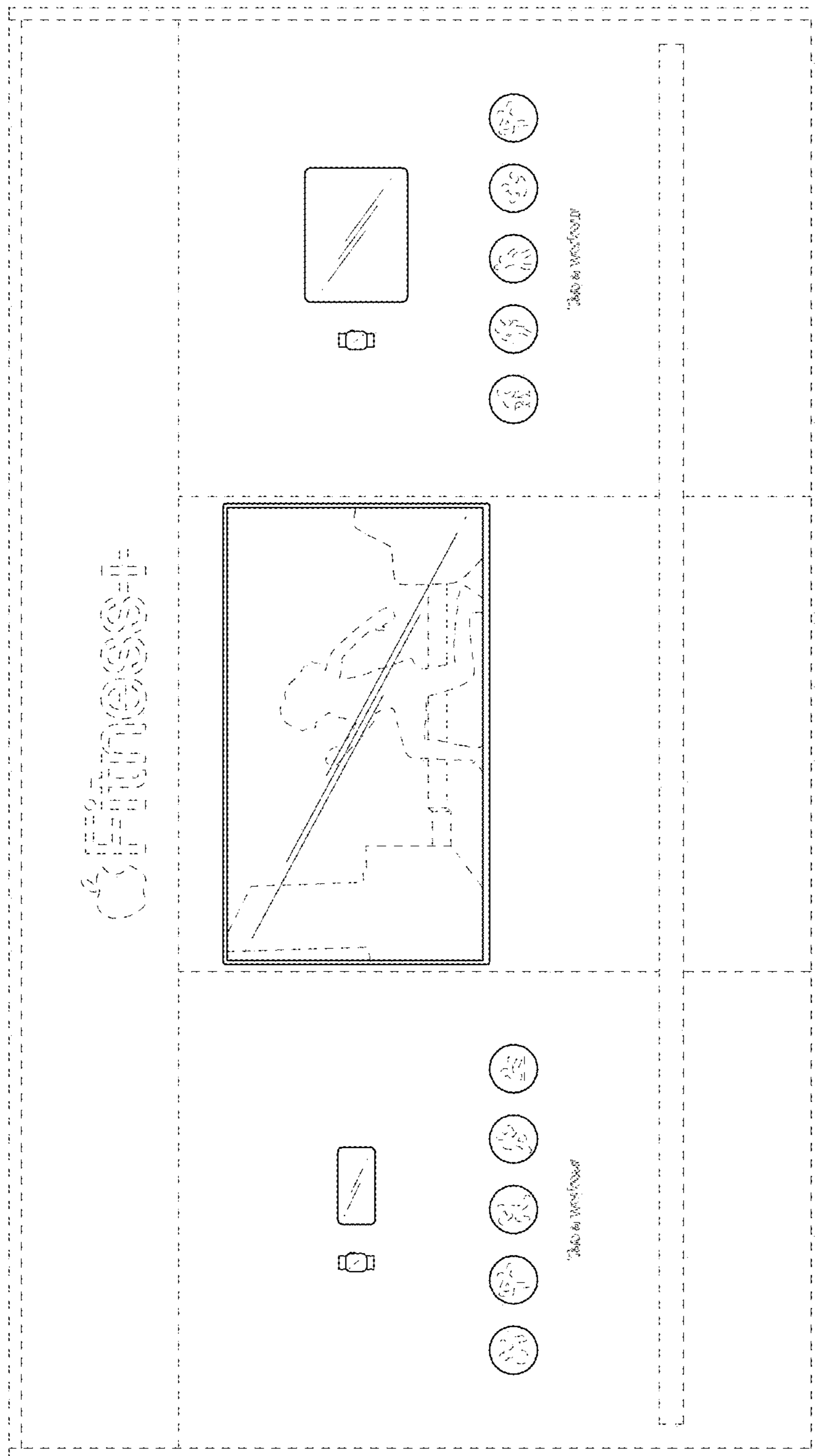


FIG. 1

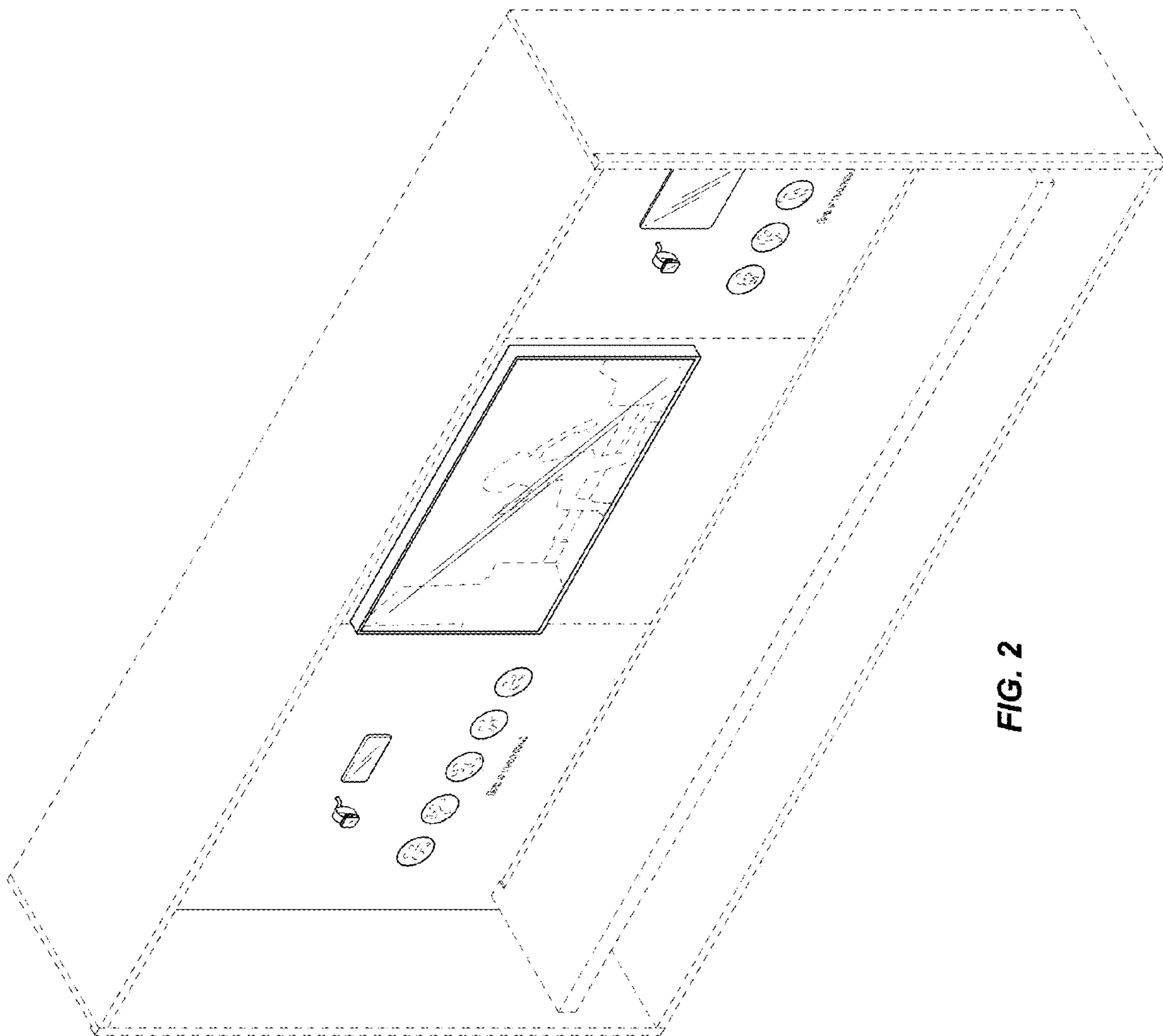


FIG. 2

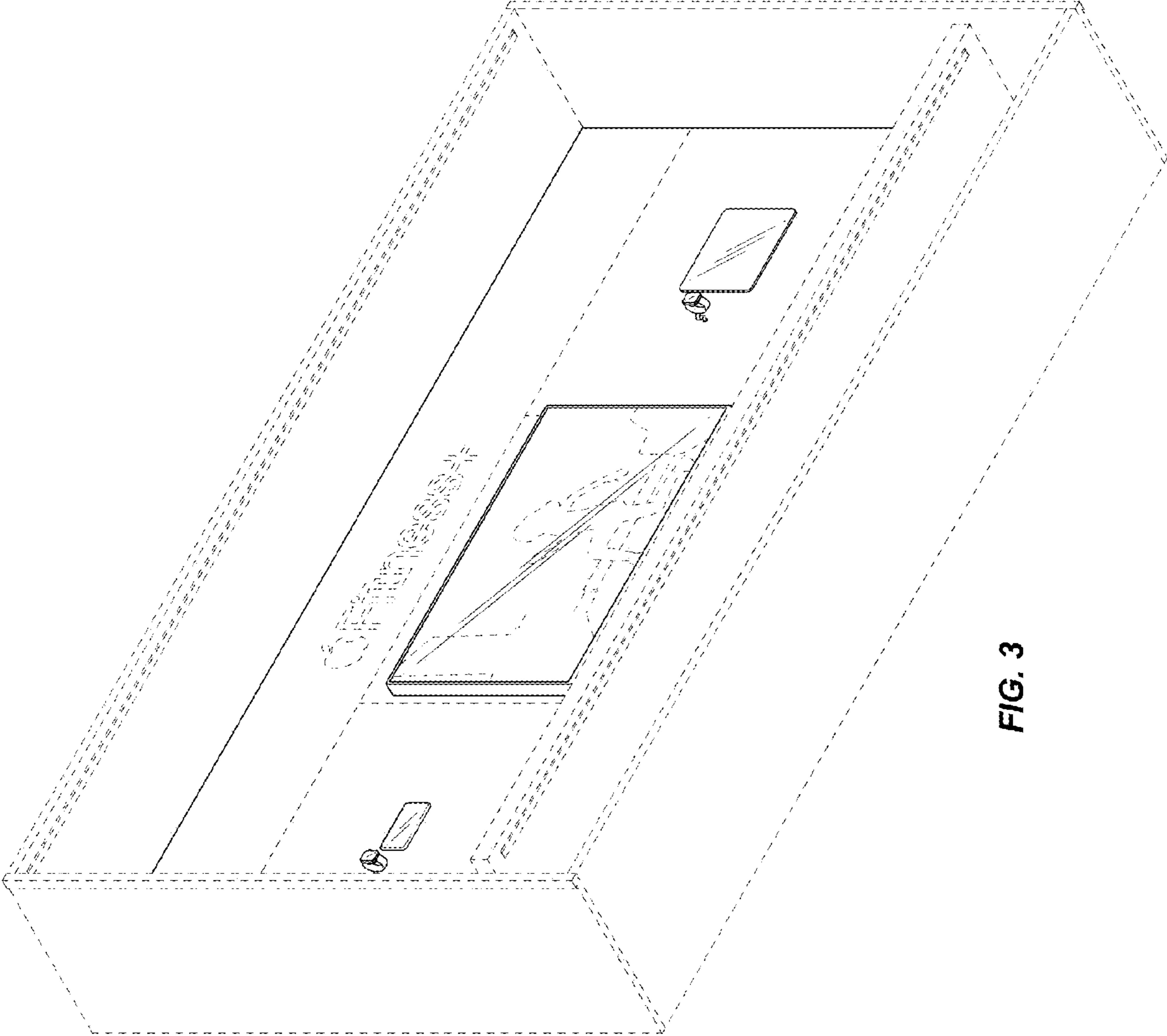


FIG. 3

UNITED STATES PATENT AND TRADEMARK OFFICE  
**CERTIFICATE OF CORRECTION**

PATENT NO. : D961,308 S  
APPLICATION NO. : 29/758510  
DATED : August 23, 2022  
INVENTOR(S) : Gady et al.

Page 1 of 1

It is certified that error appears in the above-identified patent and that said Letters Patent is hereby corrected as shown below:

On the Title Page

In the Inventors section, delete the following individuals:

“Kameron GAD, San Francisco, CA (US)  
Martynas LAURITA, San Jose, CA (US)  
Simona M. SZABADOS, San Francisco, CA (US)  
Adrian E. MAGRINA, Santa Cruz, CA (US)  
Seung Chae KANG, New York, NY (US)  
Hyun Jin KIM, San Francisco, CA (US)  
Jake A. NELSON, Berkeley, CA (US)”

Signed and Sealed this  
Sixth Day of December, 2022  
*Katherine Kelly Vidal*

Katherine Kelly Vidal  
*Director of the United States Patent and Trademark Office*