



US00D961307S

(12) **United States Design Patent** (10) **Patent No.:** **US D961,307 S**
Inouye et al. (45) **Date of Patent:** **** Aug. 23, 2022**

(54) **RETAIL FIXTURE**

DESCRIPTION

(71) Applicant: **Apple Inc.**, Cupertino, CA (US)
(72) Inventors: **Allison Inouye**, San Francisco, CA (US); **Jean-Marc Gady**, Los Altos, CA (US); **Manuel Dejesus**, San Francisco, CA (US)
(73) Assignee: **Apple Inc.**, Cupertino, CA (US)
(**) Term: **15 Years**
(21) Appl. No.: **29/754,670**
(22) Filed: **Oct. 13, 2020**
(51) **LOC (13) Cl.** **06-06**
(52) **U.S. Cl.**
USPC **D6/675**
(58) **Field of Classification Search**
USPC D6/672, 675, 675.1, 678, 678.1, 682, D6/682.3, 682.4, 683, 683.1
CPC A47B 73/00; A47B 73/002; A47B 47/00; A47B 47/008; A47B 47/25; A47F 5/00; A47F 5/0062
See application file for complete search history.

FIG. 1 is a top front perspective view of a retail fixture showing the claimed design;
FIG. 2 is a bottom front perspective view thereof;
FIG. 3 is a front view thereof;
FIG. 4 is a rear view thereof;
FIG. 5 is a left side view thereof;
FIG. 6 is a right side view thereof;
FIG. 7 is a top view thereof;
FIG. 8 is a bottom view thereof;
FIG. 9 is a top front perspective view of a retail fixture showing the claimed design;
FIG. 10 is a bottom front perspective view thereof;
FIG. 11 is a front view thereof;
FIG. 12 is a rear view thereof;
FIG. 13 is a left side view thereof;
FIG. 14 is a right side view thereof;
FIG. 15 is a top view thereof;
FIG. 16 is a bottom view thereof;
FIG. 17 is a top front perspective view of a retail fixture showing the claimed design;
FIG. 18 is a bottom front perspective view thereof;
FIG. 19 is a front view thereof;
FIG. 20 is a rear view thereof;
FIG. 21 is a left side view thereof;
FIG. 22 is a right side view thereof;
FIG. 23 is a top view thereof;
FIG. 24 is a bottom view thereof;
FIG. 25 is a top front perspective view of a retail fixture showing the claimed design;
FIG. 26 is a bottom front perspective view thereof;
FIG. 27 is a front view thereof;
FIG. 28 is a rear view thereof;
FIG. 29 is a left side view thereof;
FIG. 30 is a right side view thereof;
FIG. 31 is a top view thereof; and,
FIG. 32 is a bottom view thereof.
The broken lines in the figures show portions of the retail fixture that form no part of the claimed design.

(56) **References Cited**

U.S. PATENT DOCUMENTS

D679,521 S * 4/2013 Hamm D6/672
D685,589 S * 7/2013 Johnson D6/675
D713,658 S 9/2014 Tio et al.
D725,947 S 4/2015 Tio et al.

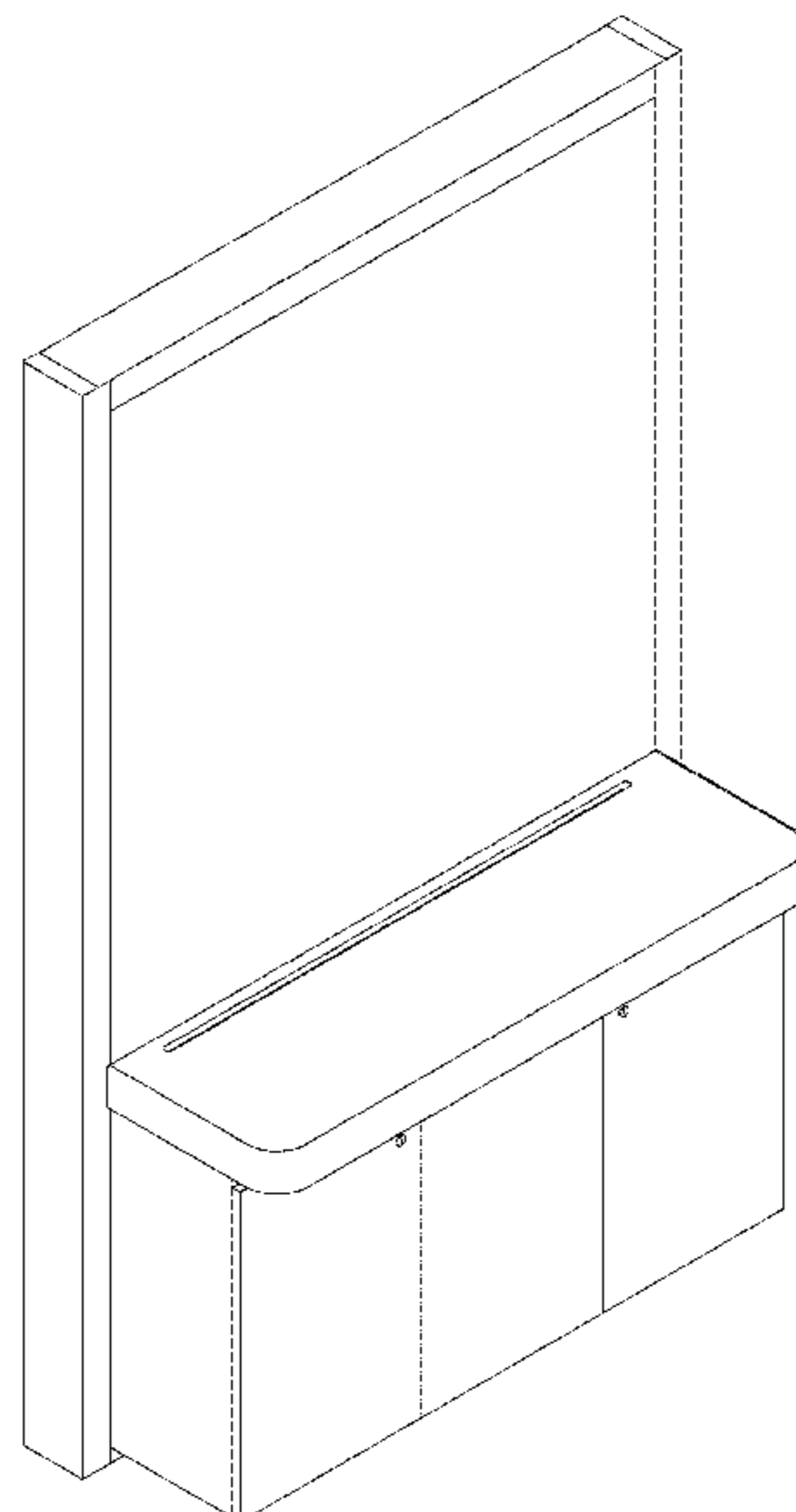
(Continued)

Primary Examiner — Kelley A Donnelly
(74) *Attorney, Agent, or Firm* — Sterne, Kessler, Goldstein & Fox P.L.L.C.

(57) **CLAIM**

The ornamental design for a retail fixture, as shown and described.

1 Claim, 24 Drawing Sheets



(56)

References Cited

U.S. PATENT DOCUMENTS

D734,965	S	7/2015	Tio et al.	
D769,651	S	* 10/2016	Tio	D6/675
D779,240	S	2/2017	Tio et al.	
D790,260	S	6/2017	Tio et al.	
D815,864	S	* 4/2018	Burton	D6/675
D859,892	S	9/2019	Tio et al.	
D867,035	S	11/2019	Brugger et al.	
D867,036	S	* 11/2019	Brugger	D6/675
D877,548	S	3/2020	Brugger et al.	
D887,185	S	* 6/2020	Brugger	D6/675
D893,923	S	* 8/2020	Brugger	D6/675
D901,948	S	* 11/2020	Burton	D6/675
D907,412	S	* 1/2021	Inouye	D6/675.1
D930,405	S	* 9/2021	Brugger	D6/675
D934,007	S	* 10/2021	Li	D6/675.1
D937,612	S	* 12/2021	Brugger	D6/675

* cited by examiner

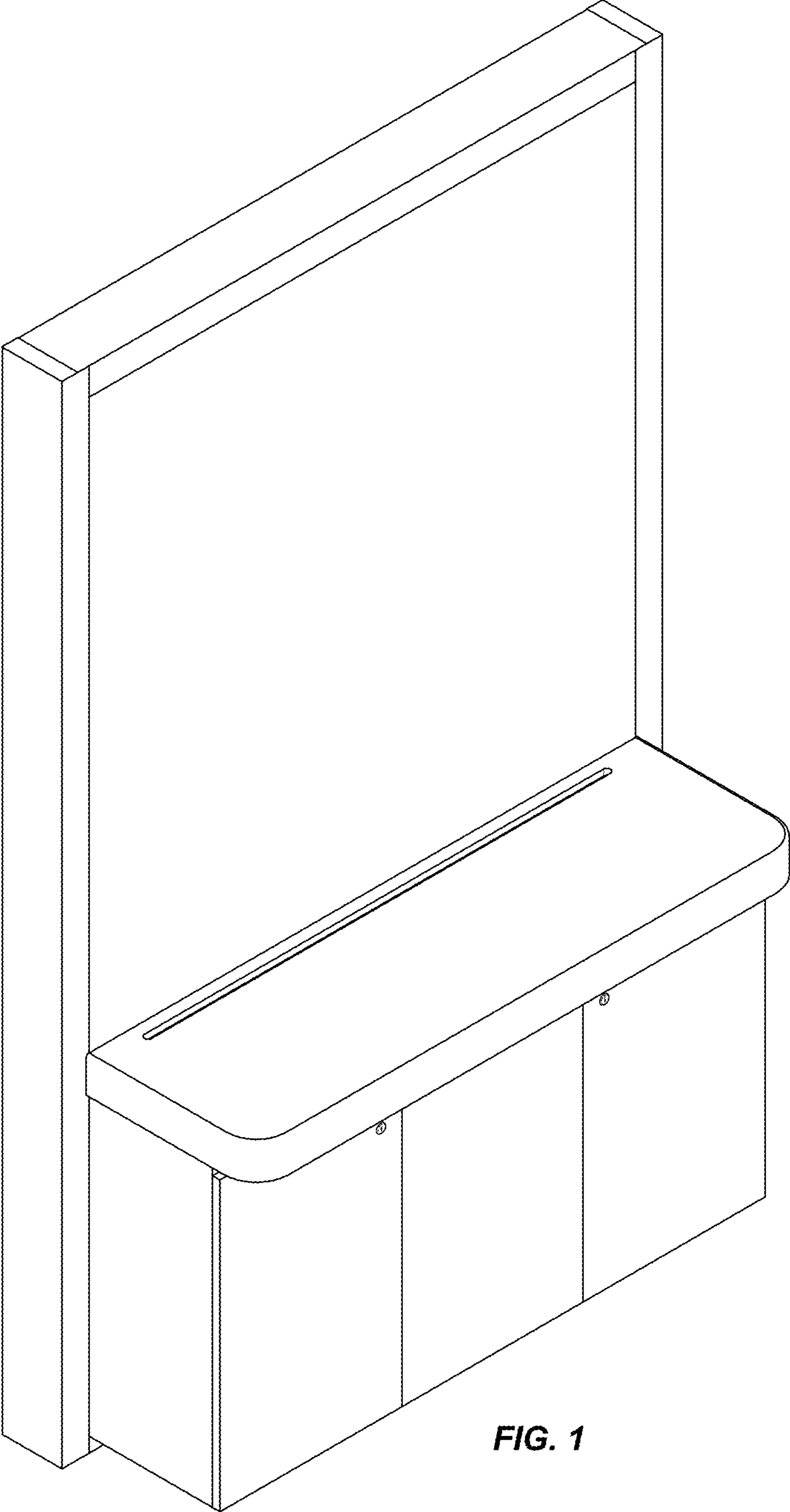


FIG. 1

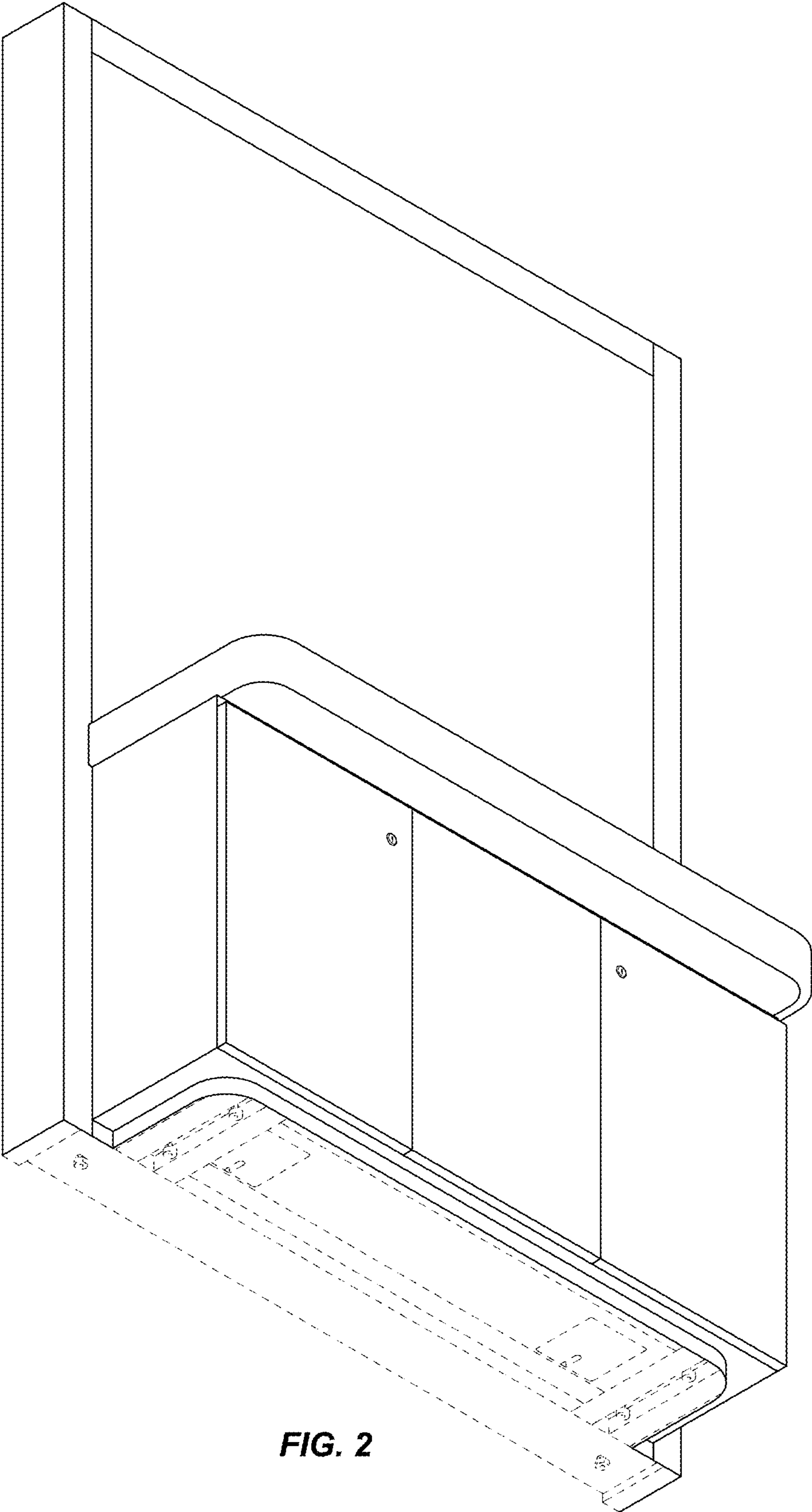


FIG. 2

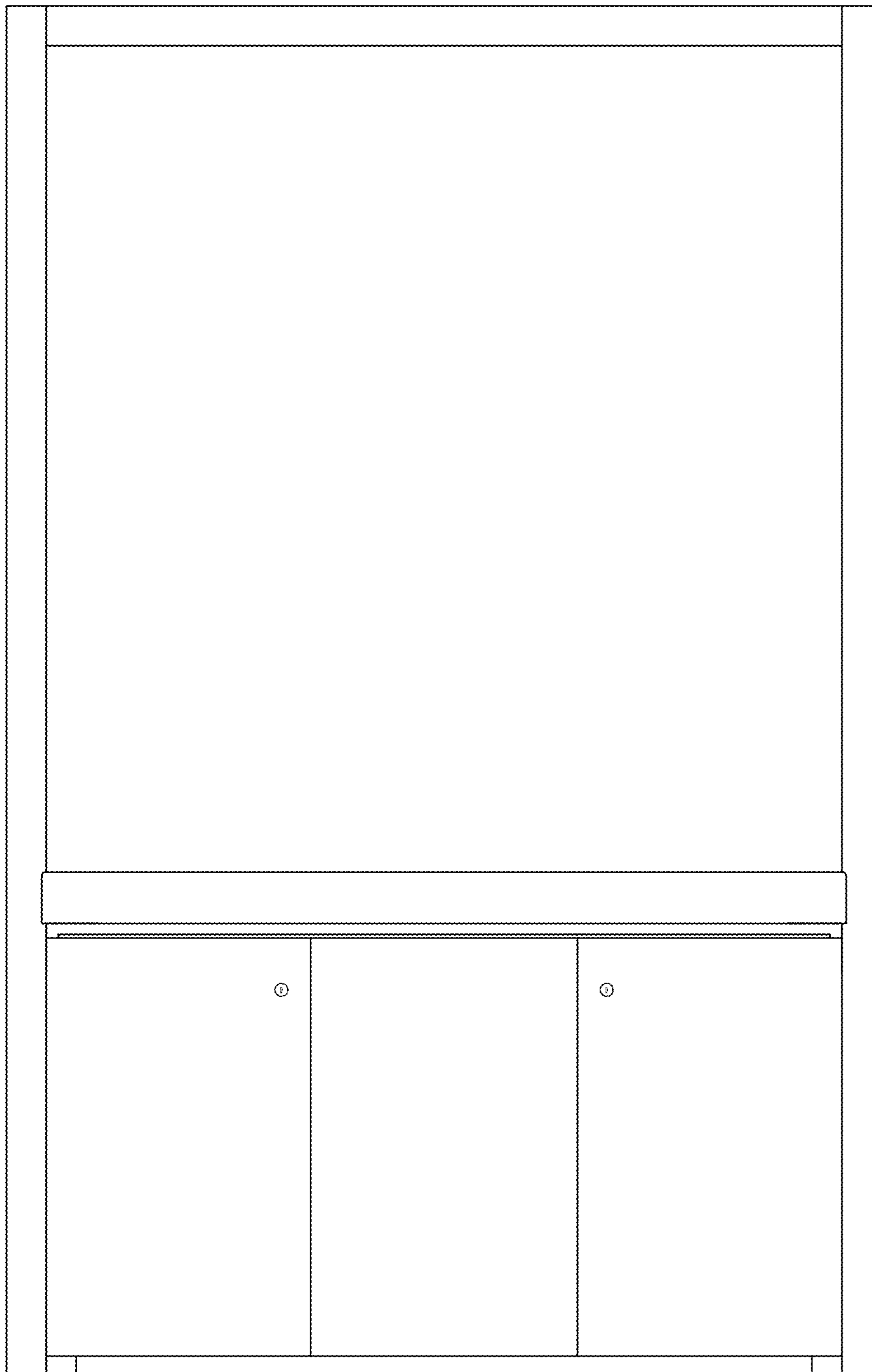


FIG. 3

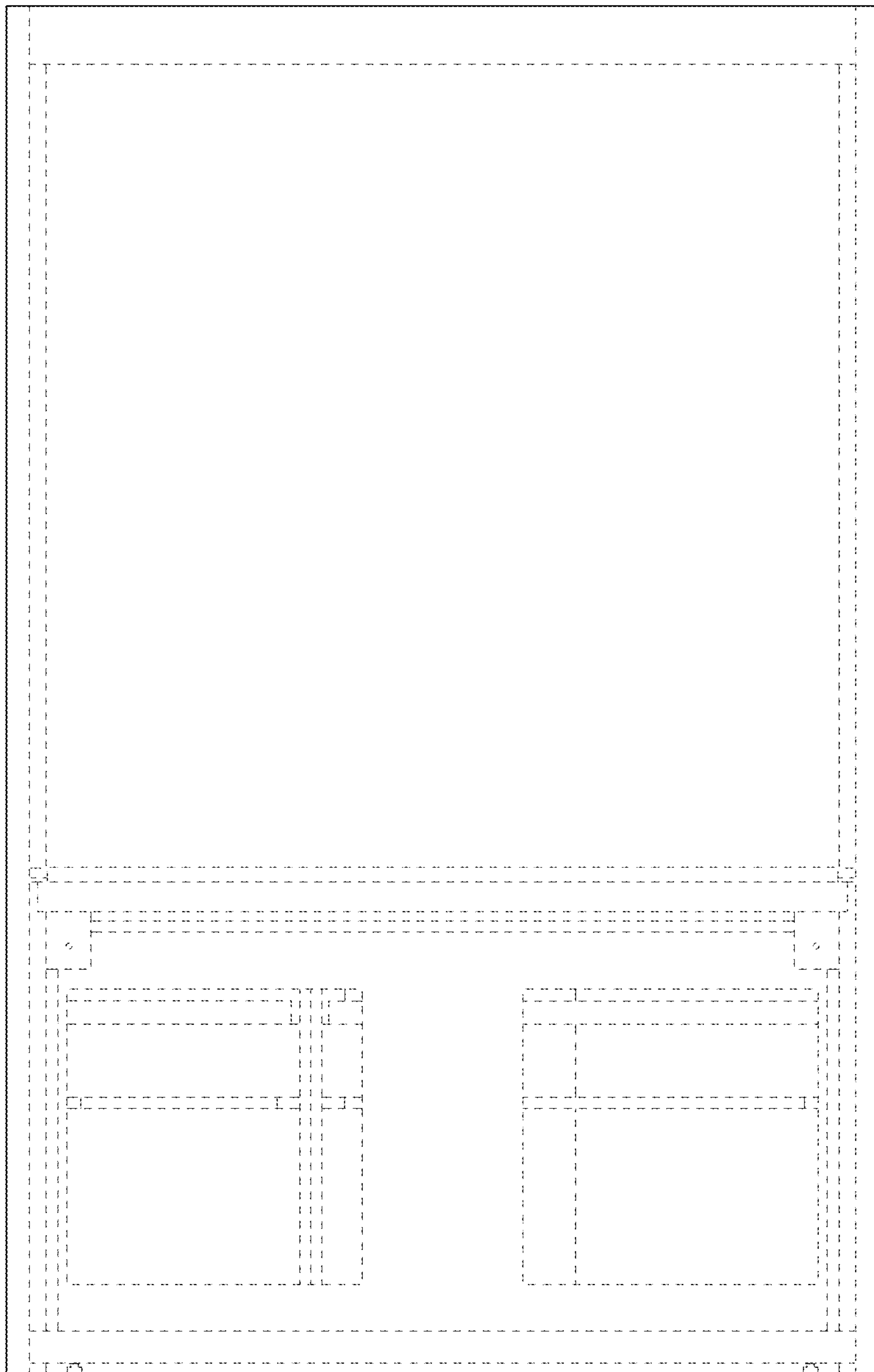


FIG. 4

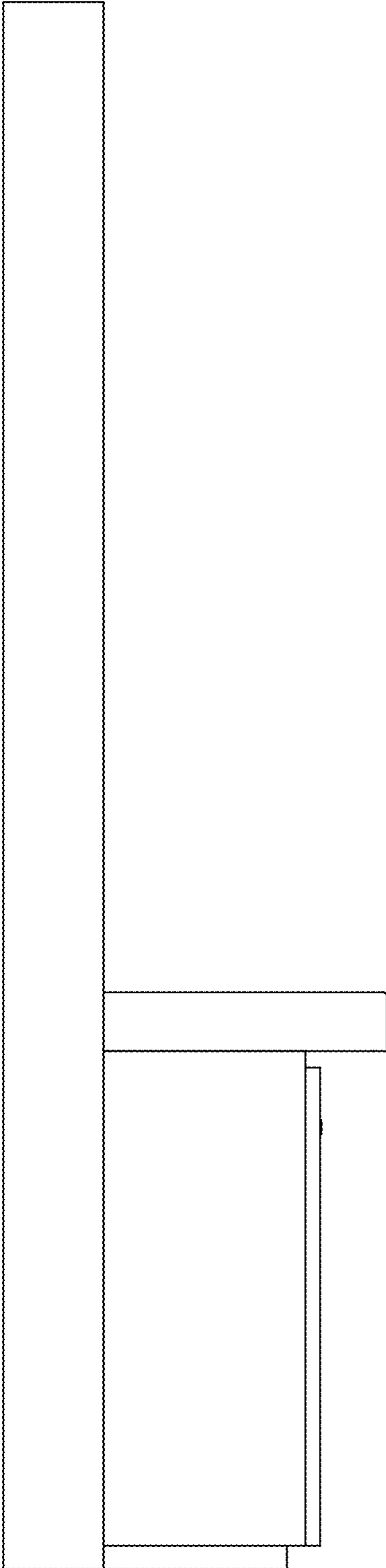


FIG. 5

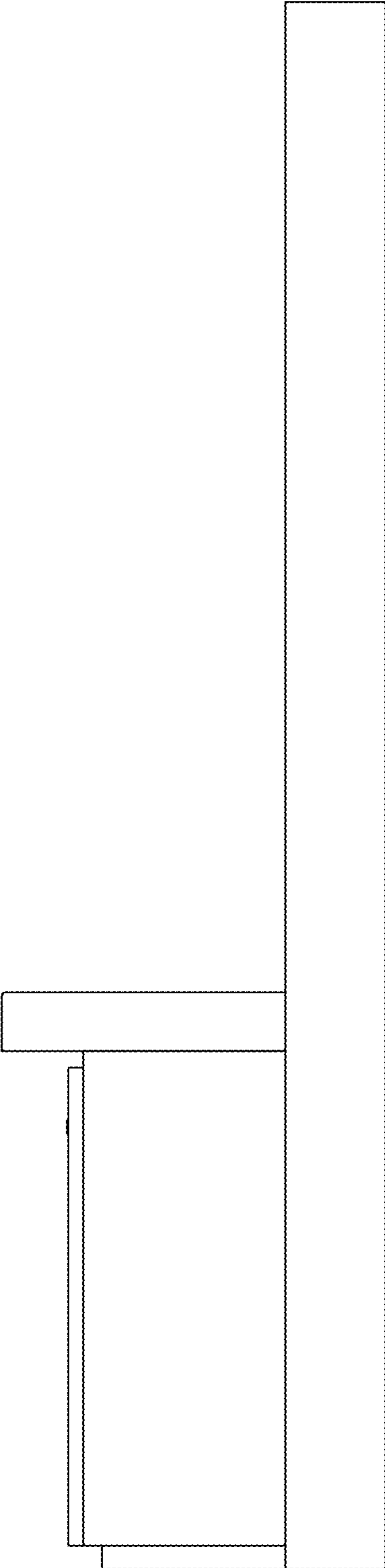


FIG. 6

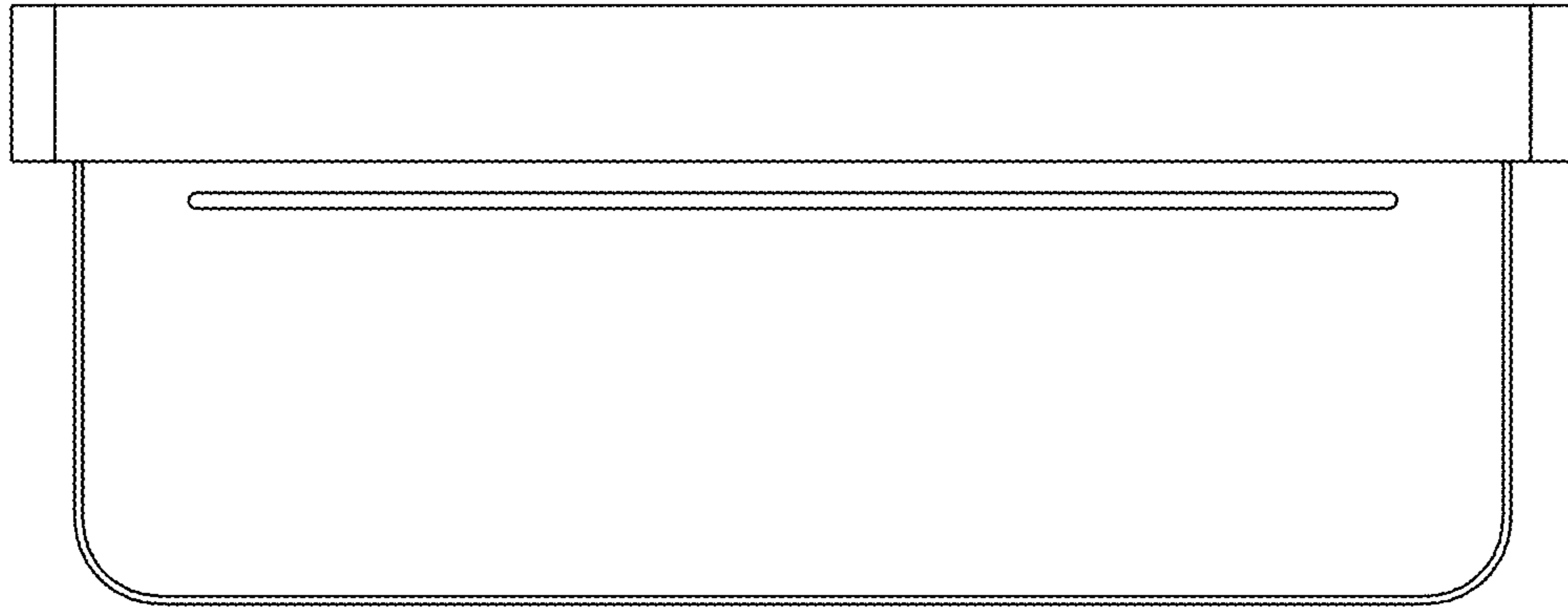


FIG. 7

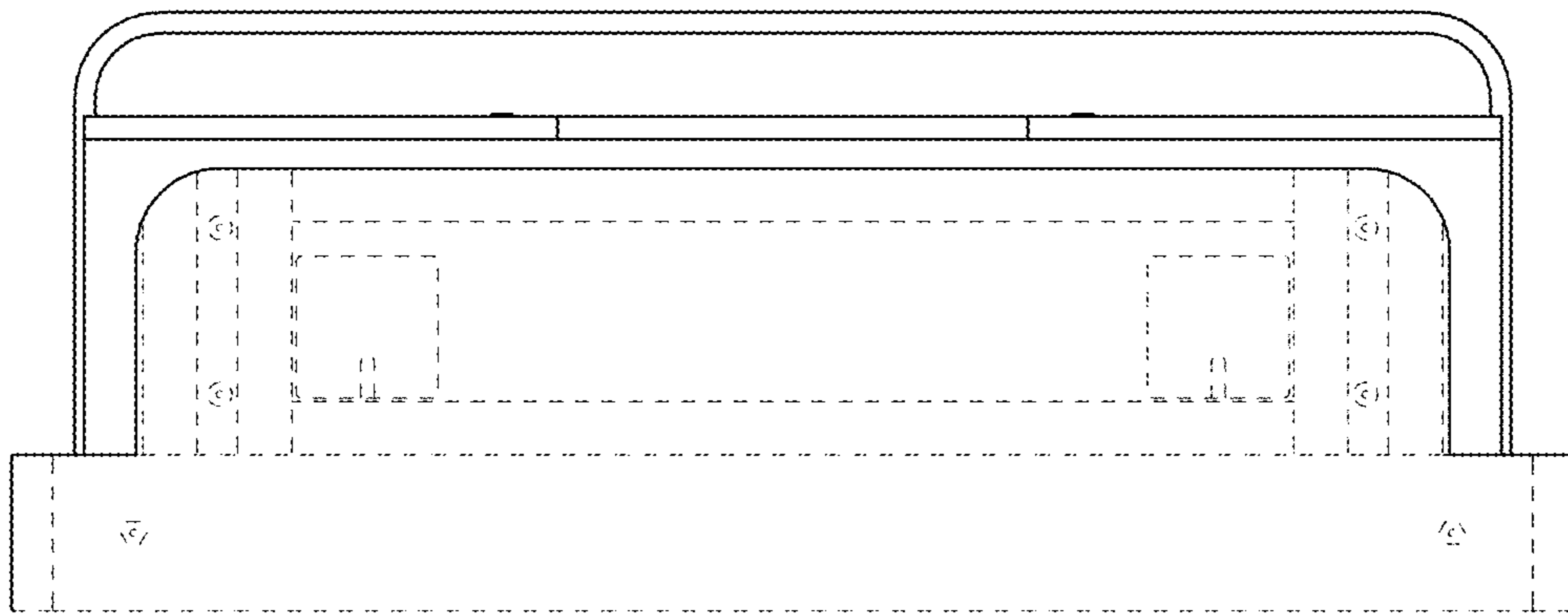


FIG. 8

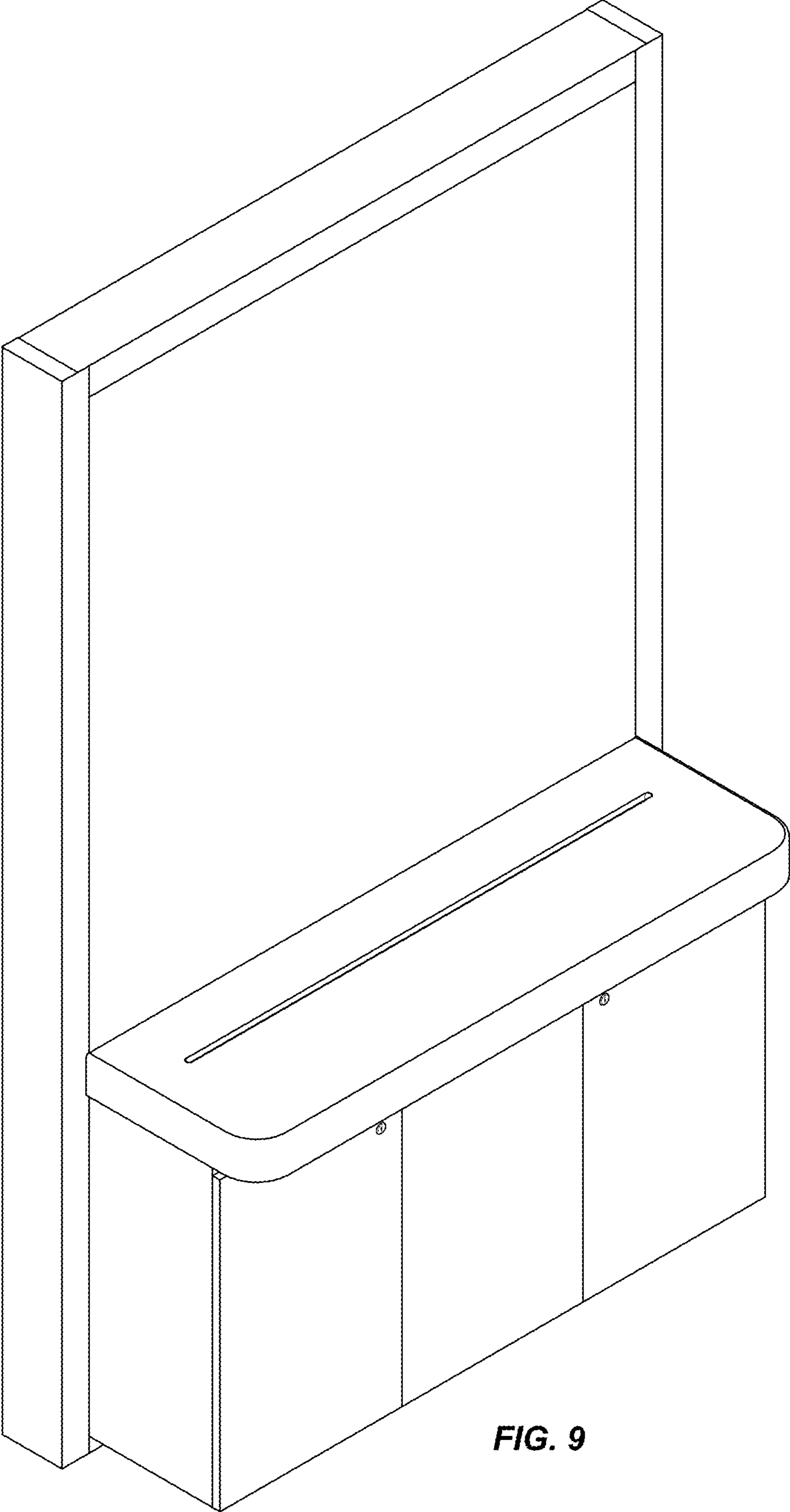


FIG. 9

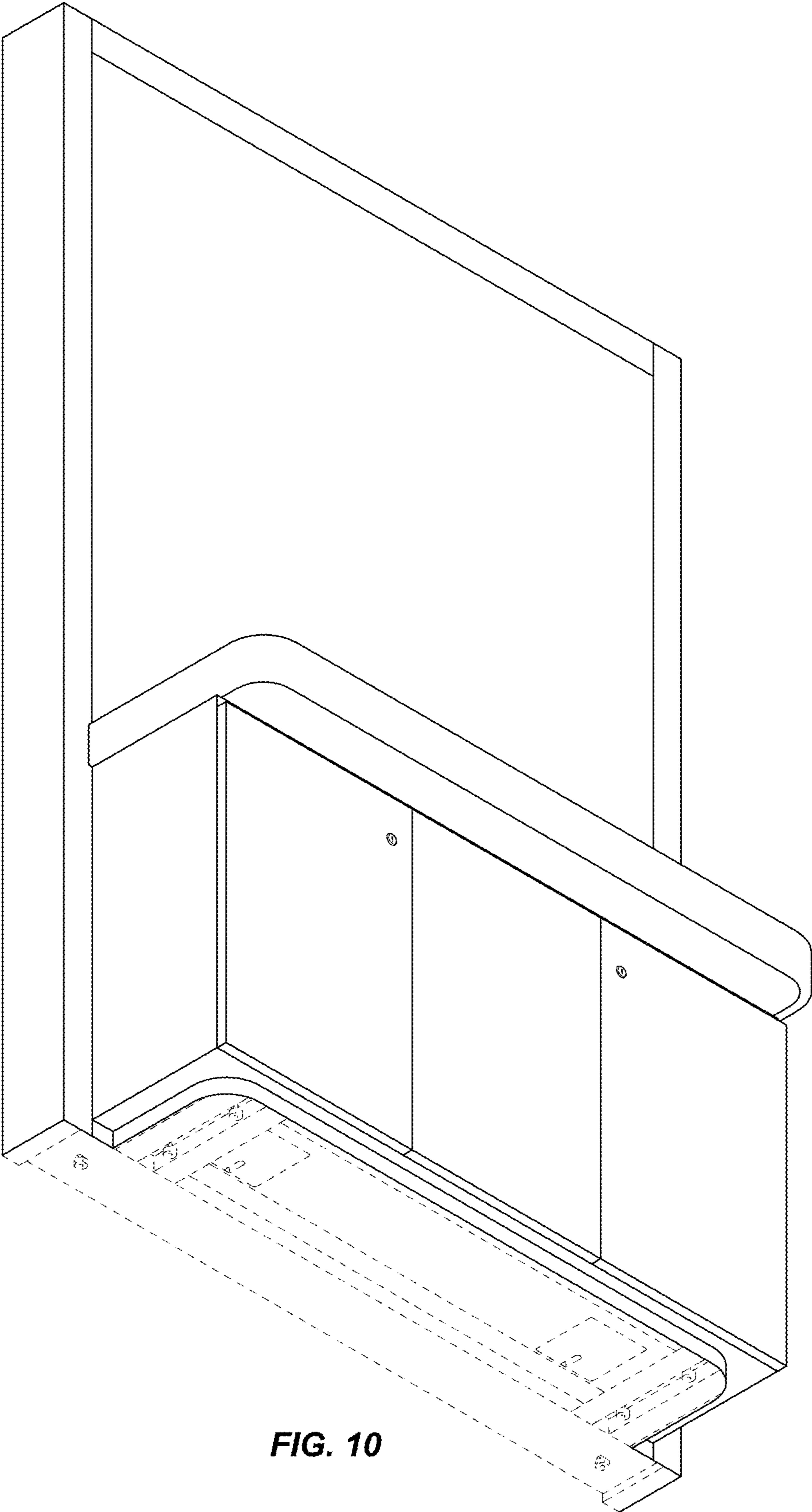


FIG. 10

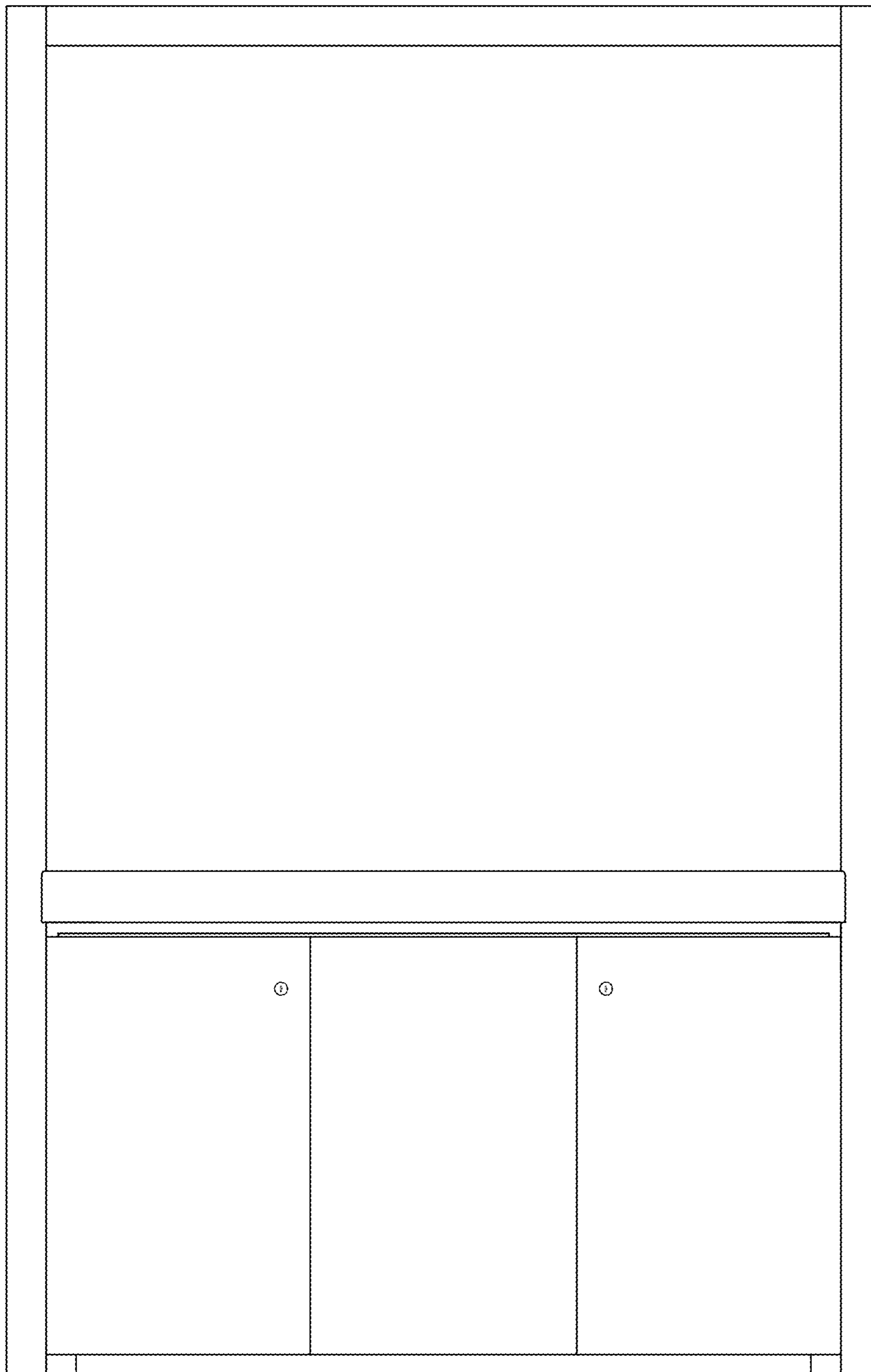


FIG. 11

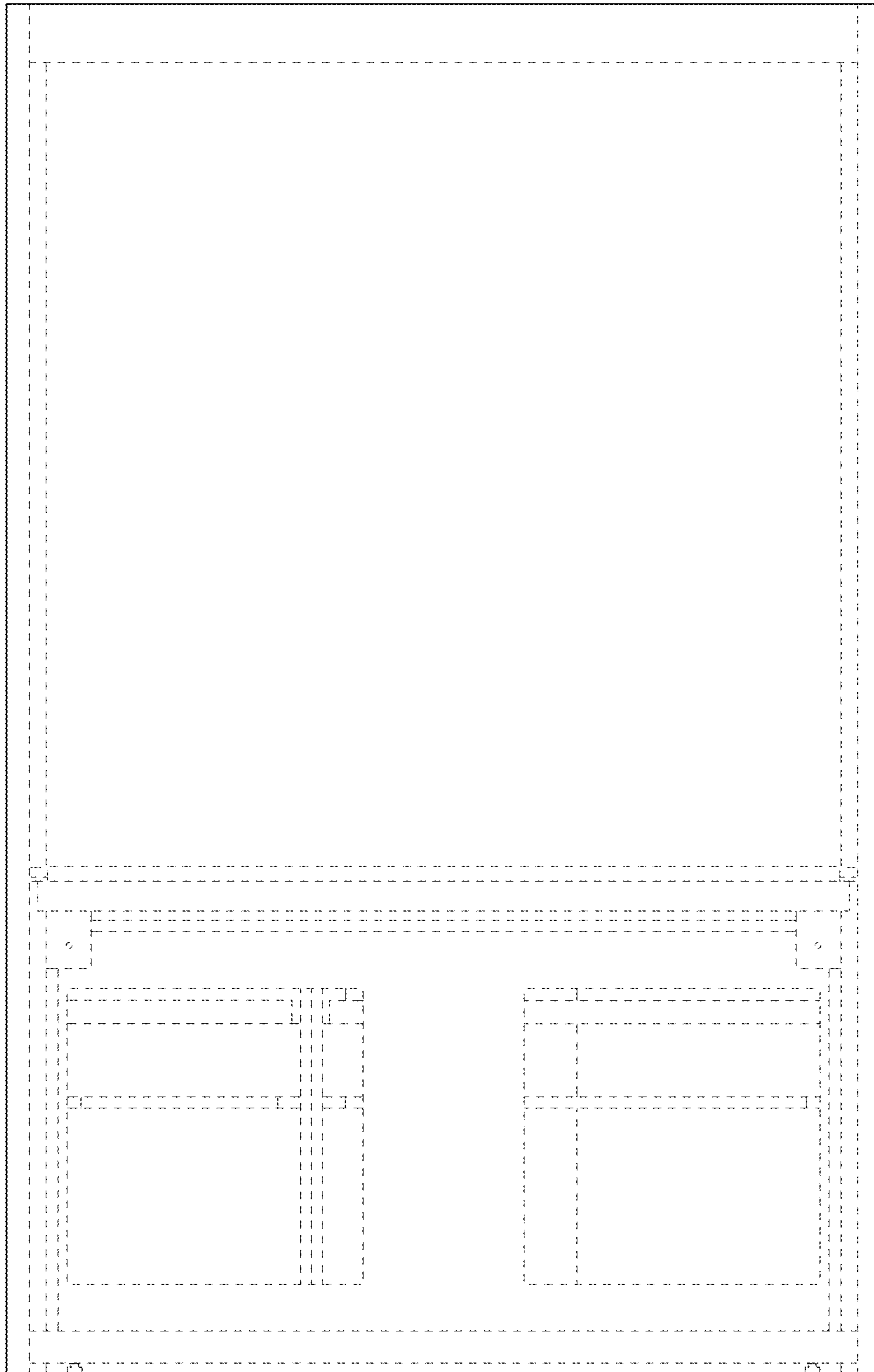


FIG. 12

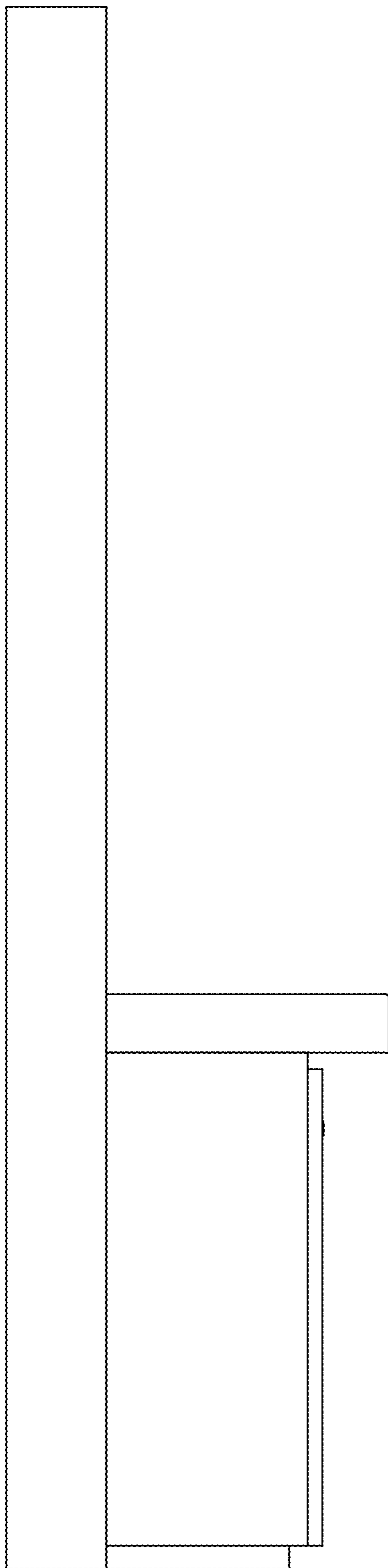


FIG. 13

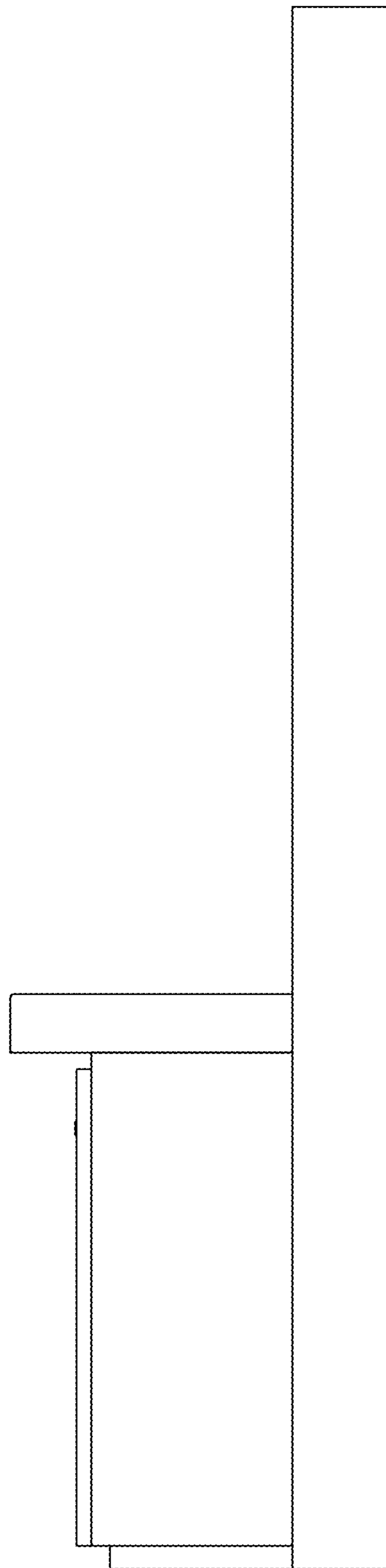


FIG. 14

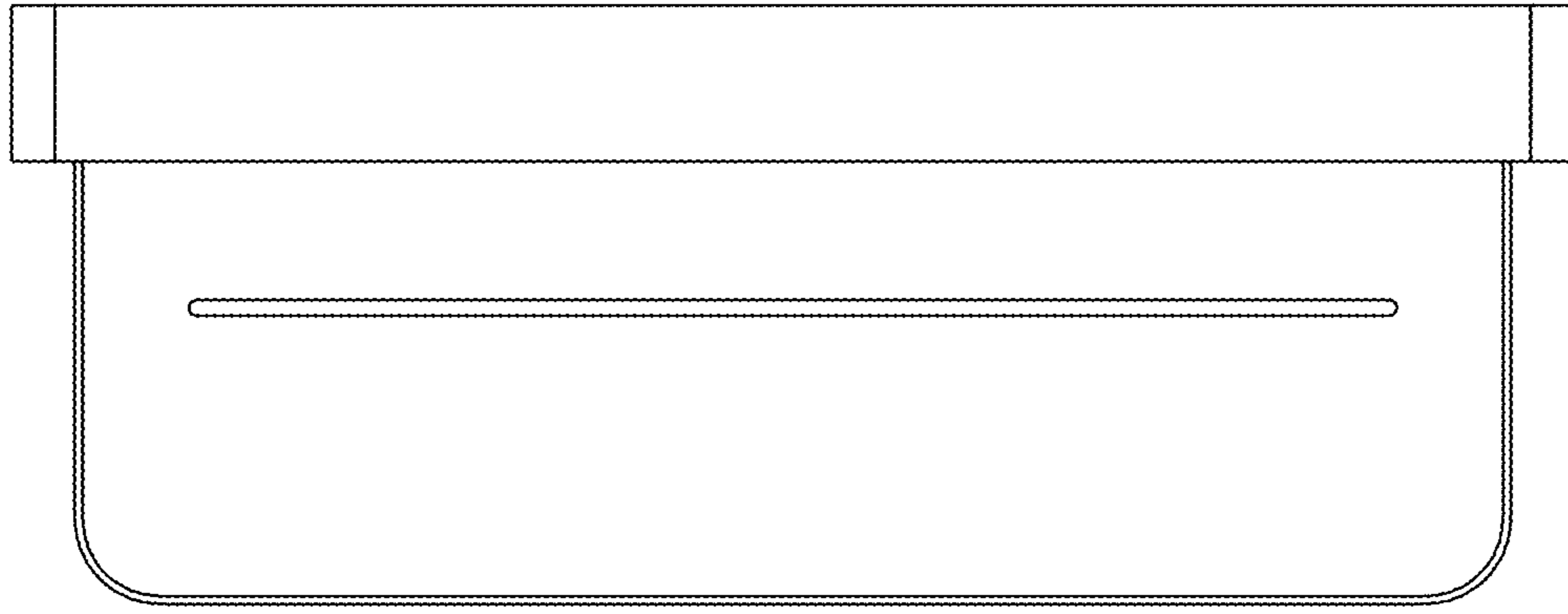


FIG. 15

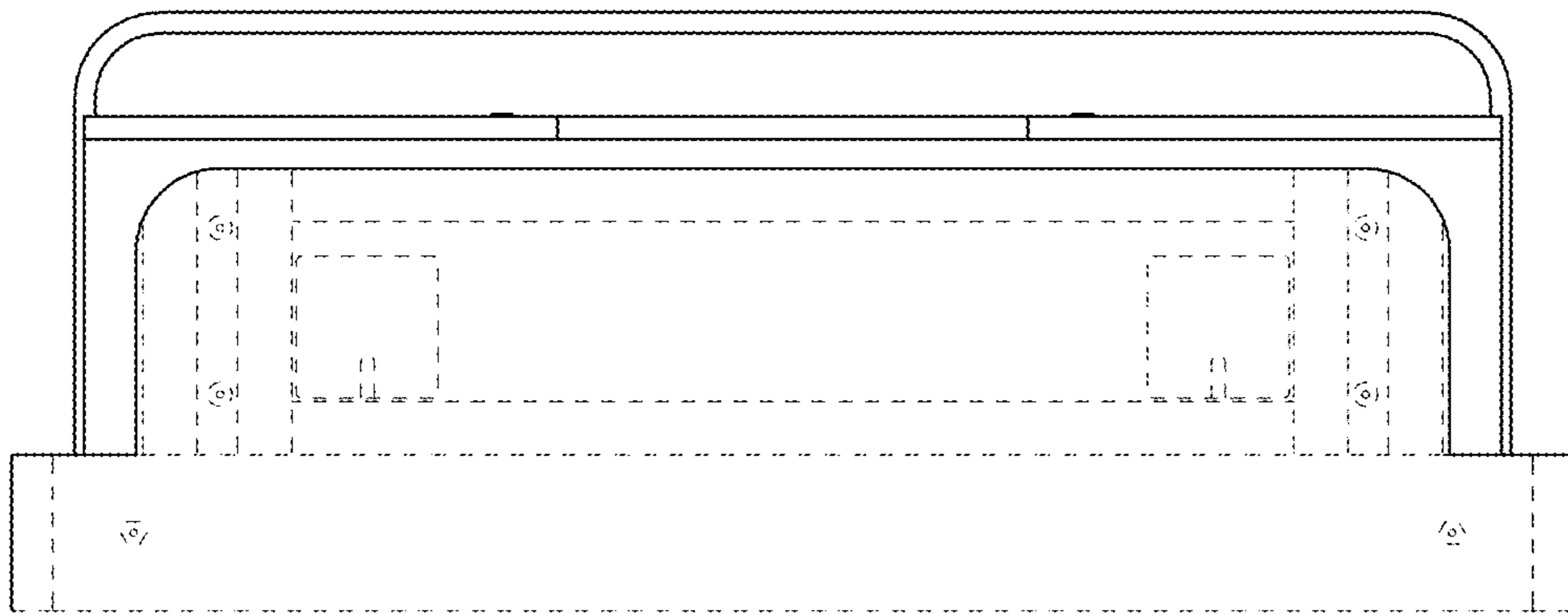


FIG. 16

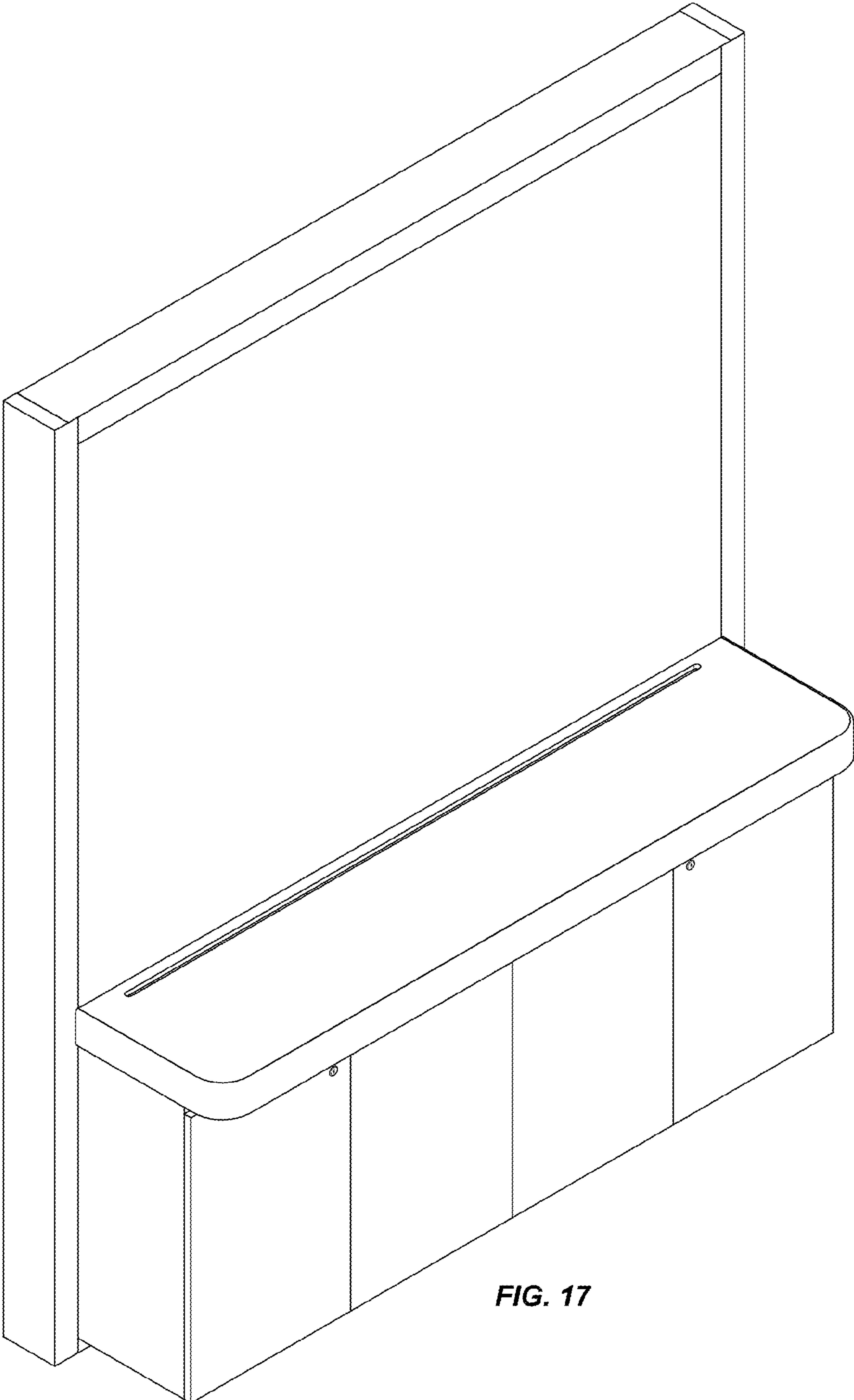


FIG. 17

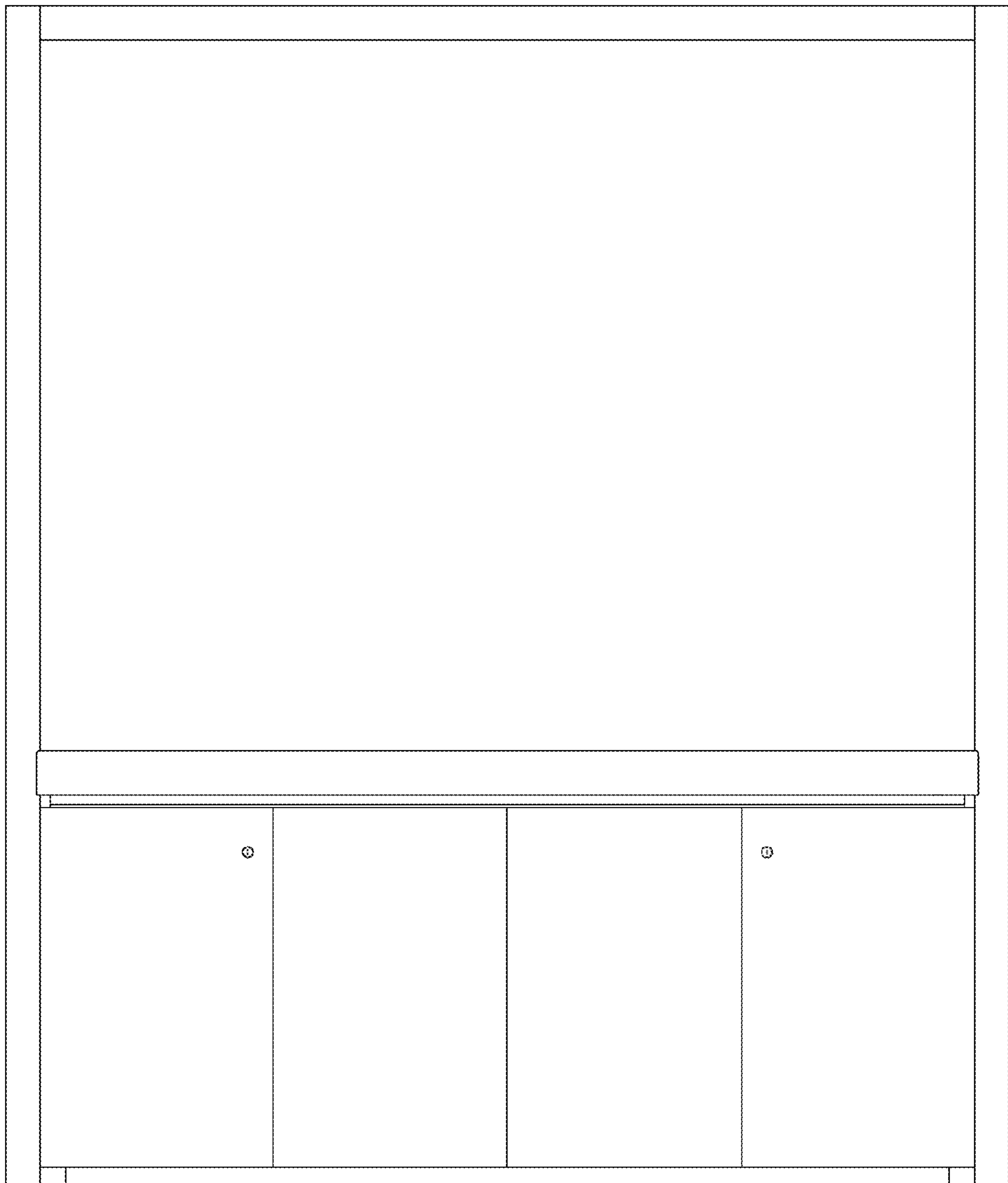


FIG. 19

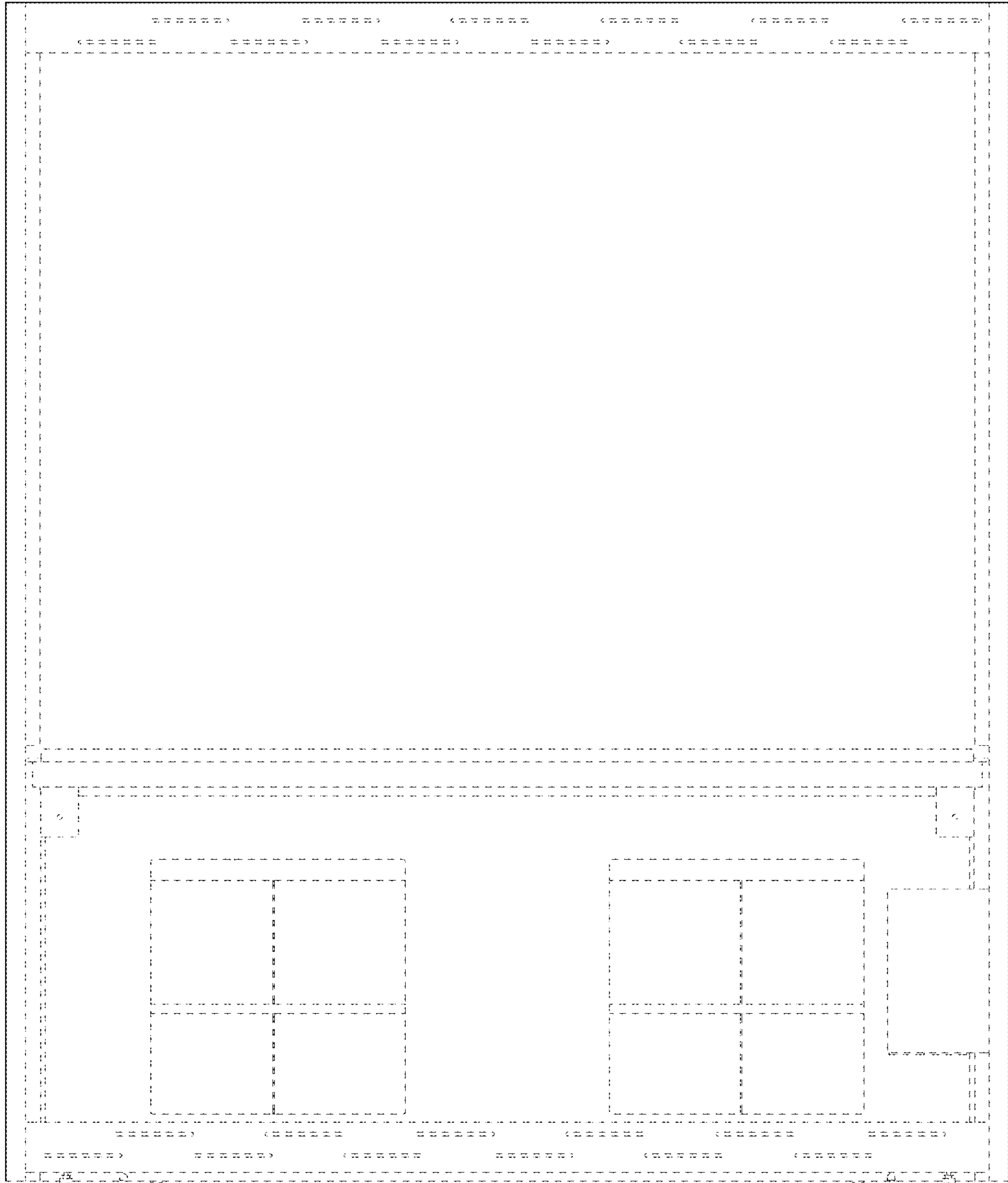


FIG. 20

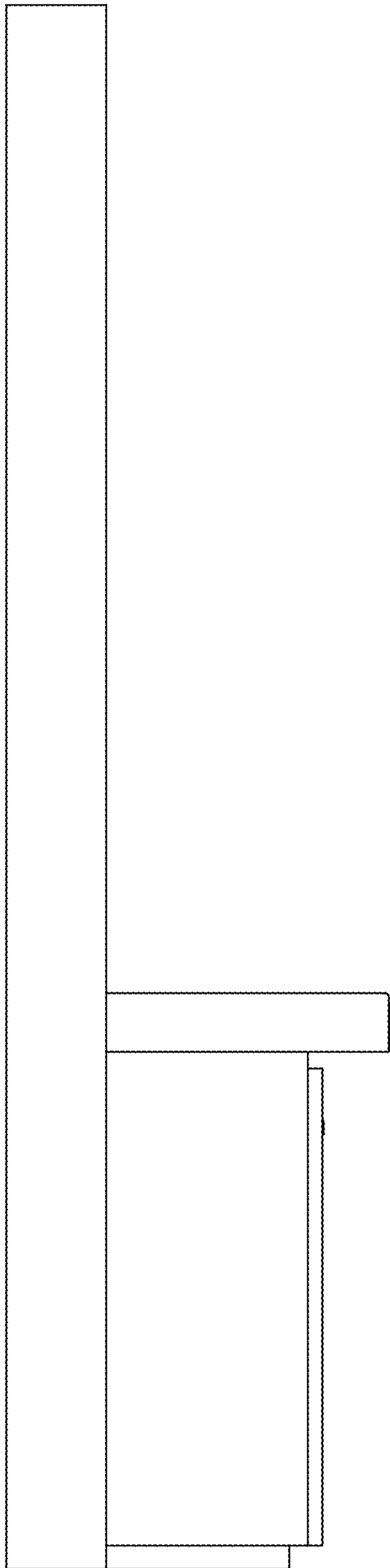


FIG. 21

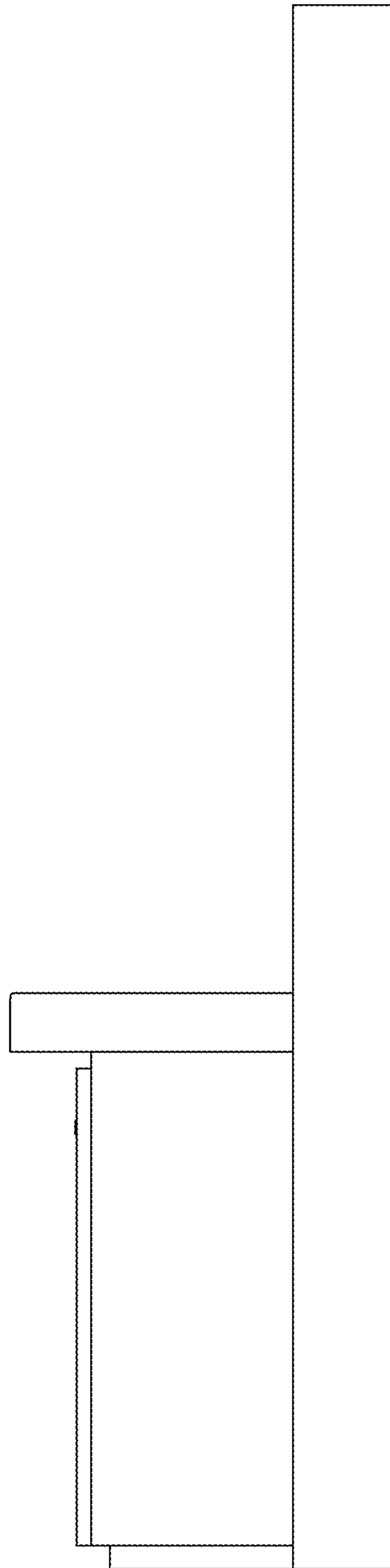


FIG. 22

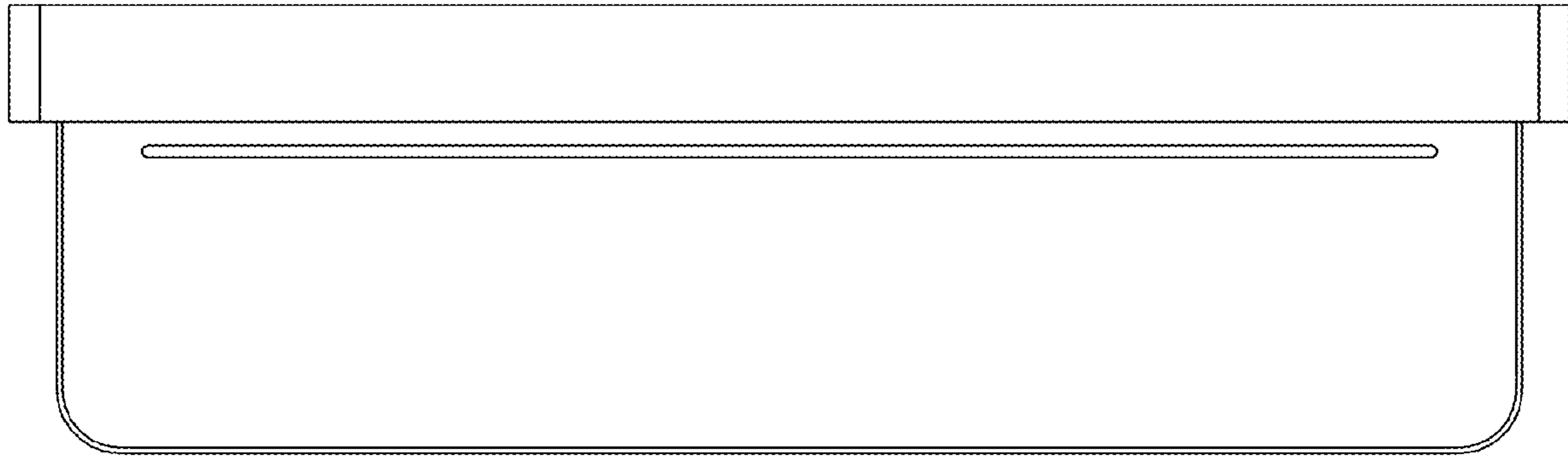


FIG. 23

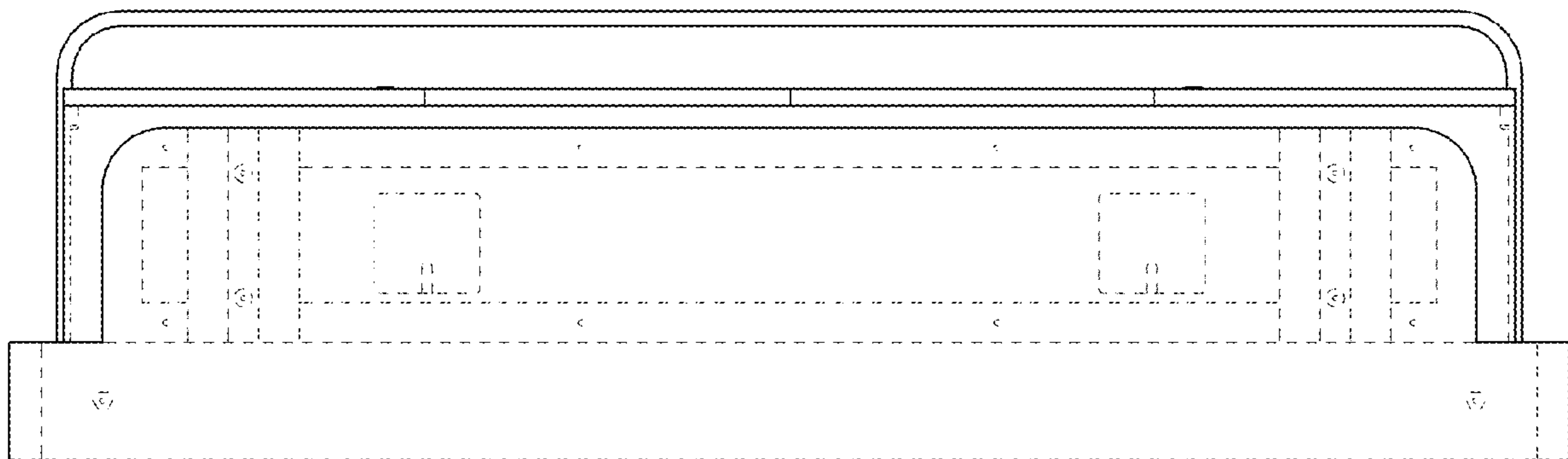


FIG. 24

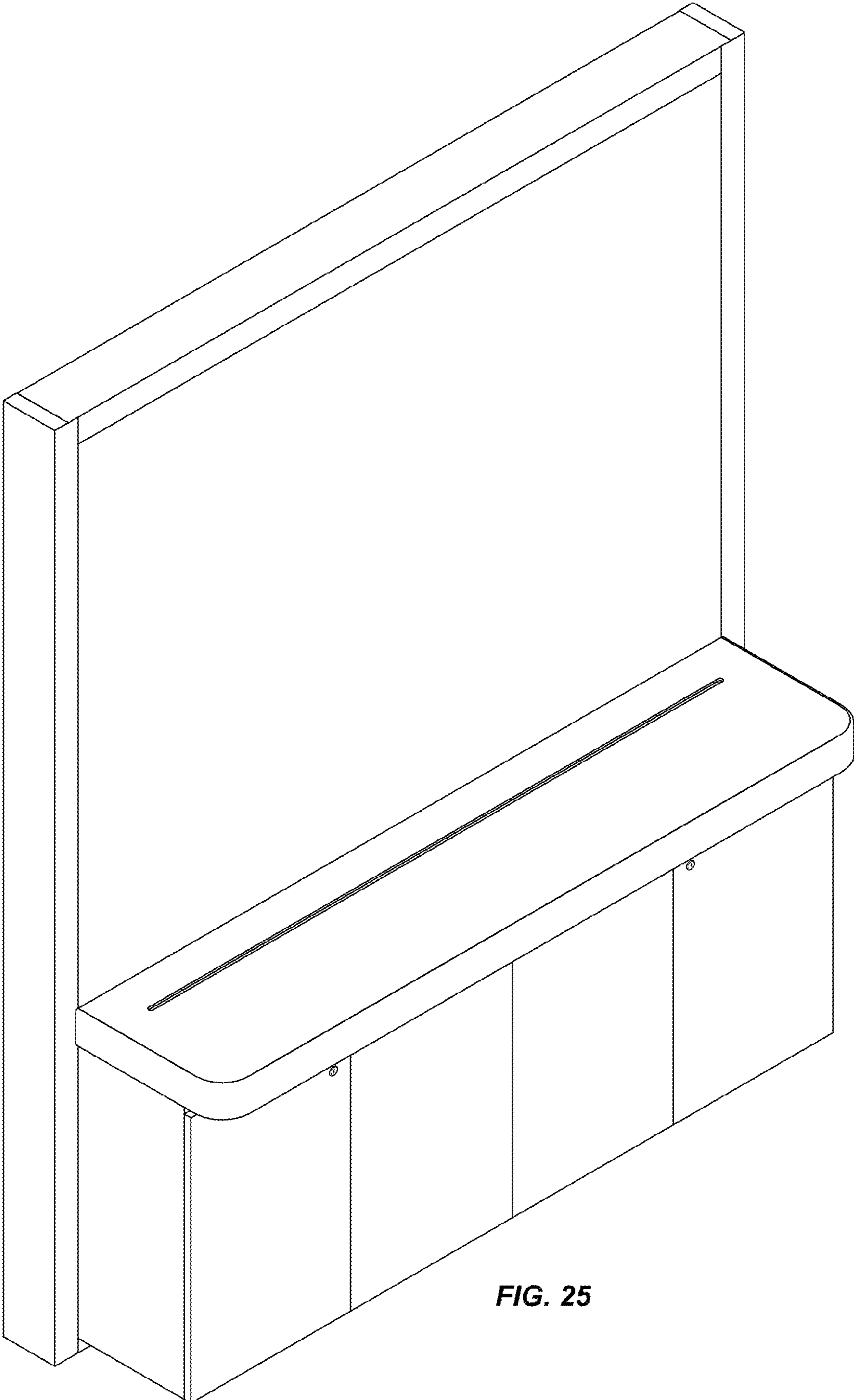


FIG. 25

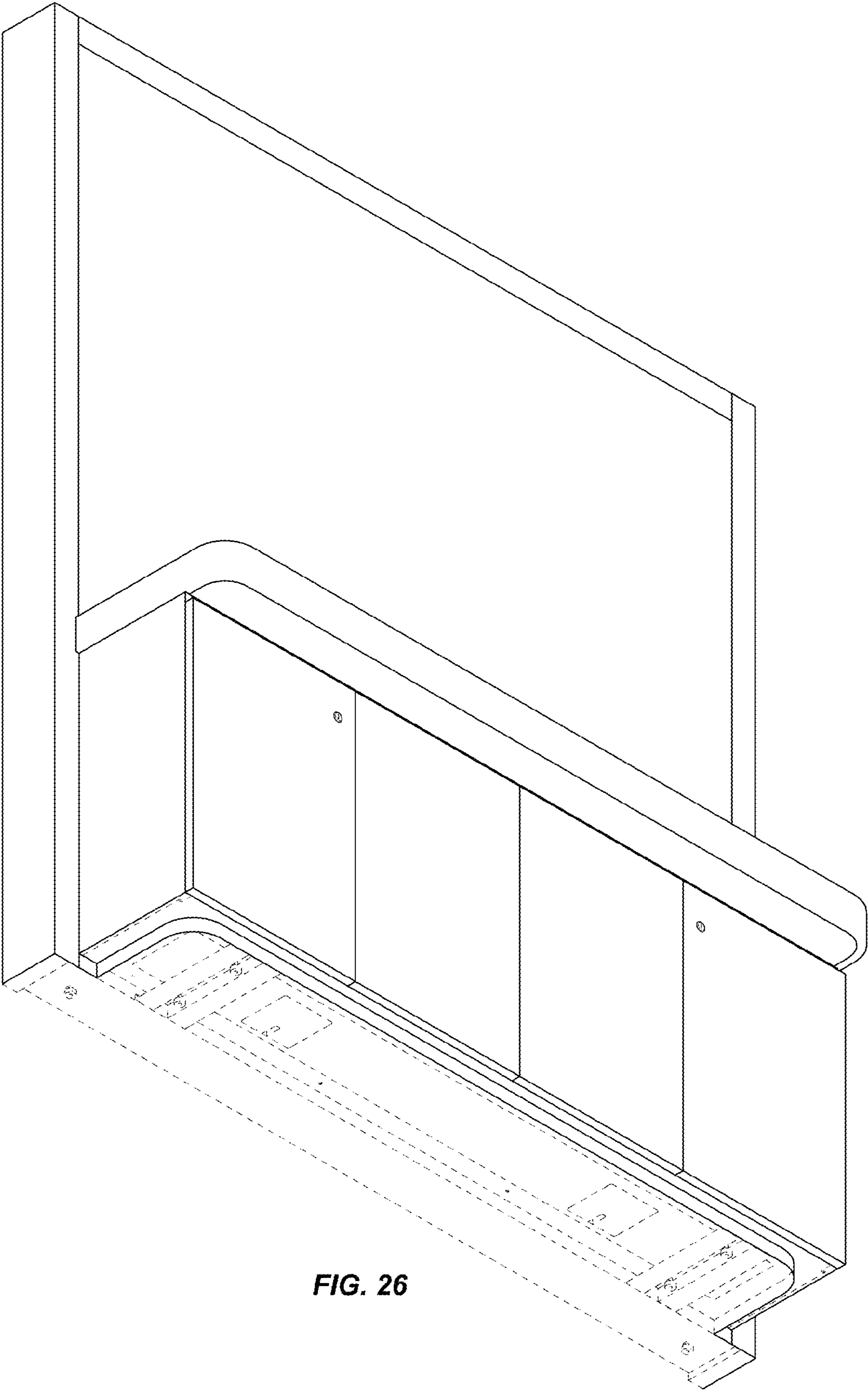


FIG. 26

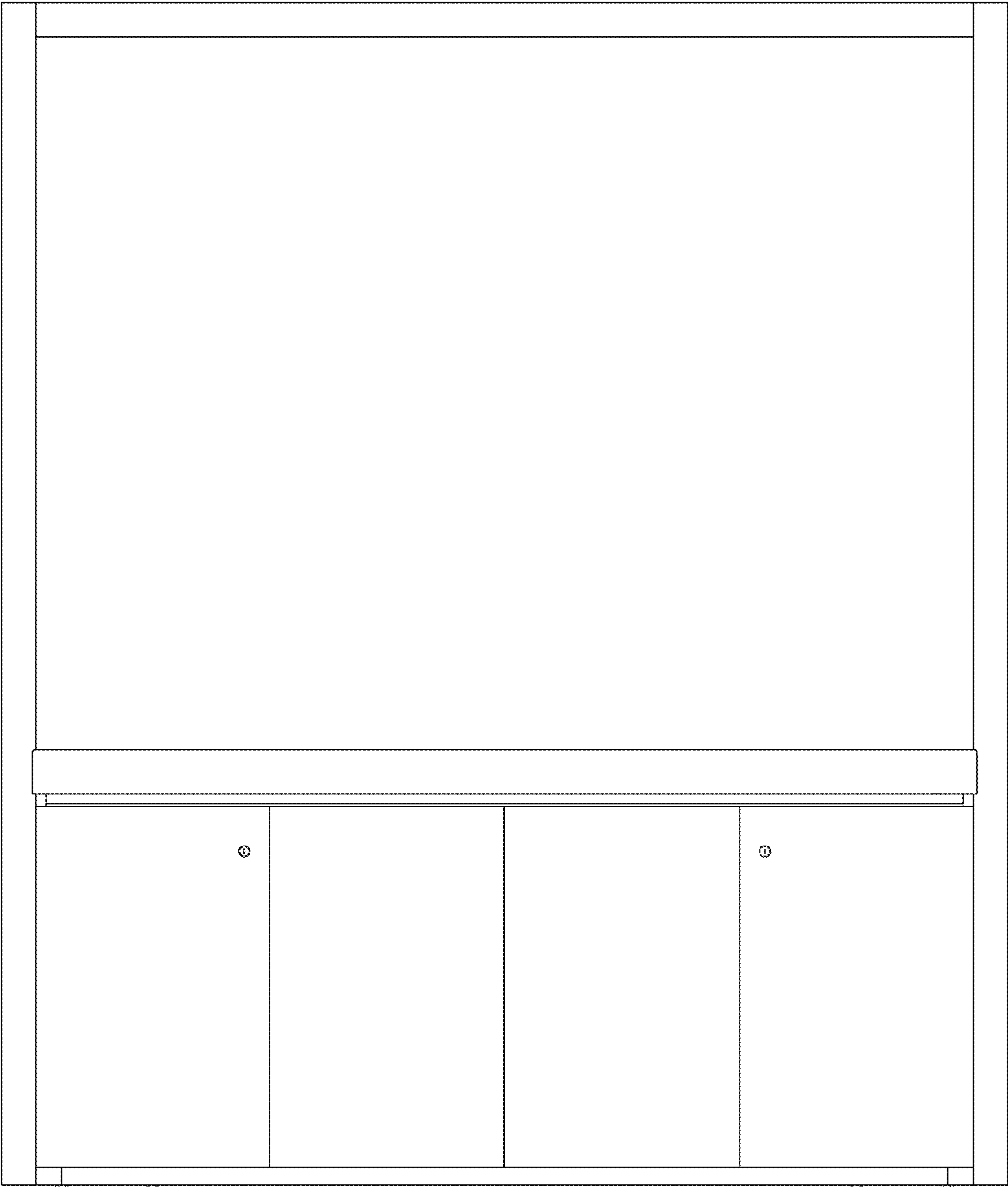


FIG. 27

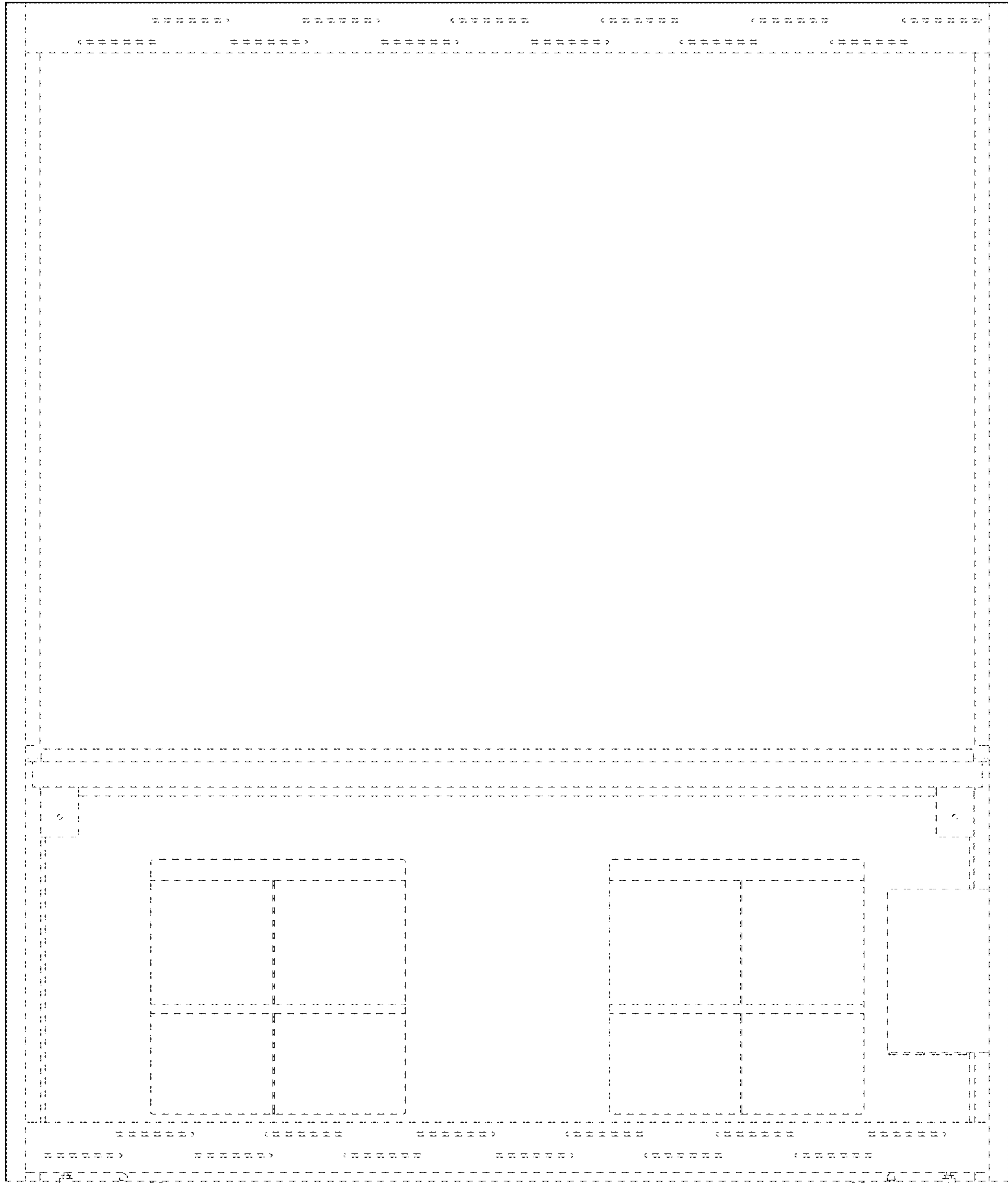


FIG. 28



FIG. 29

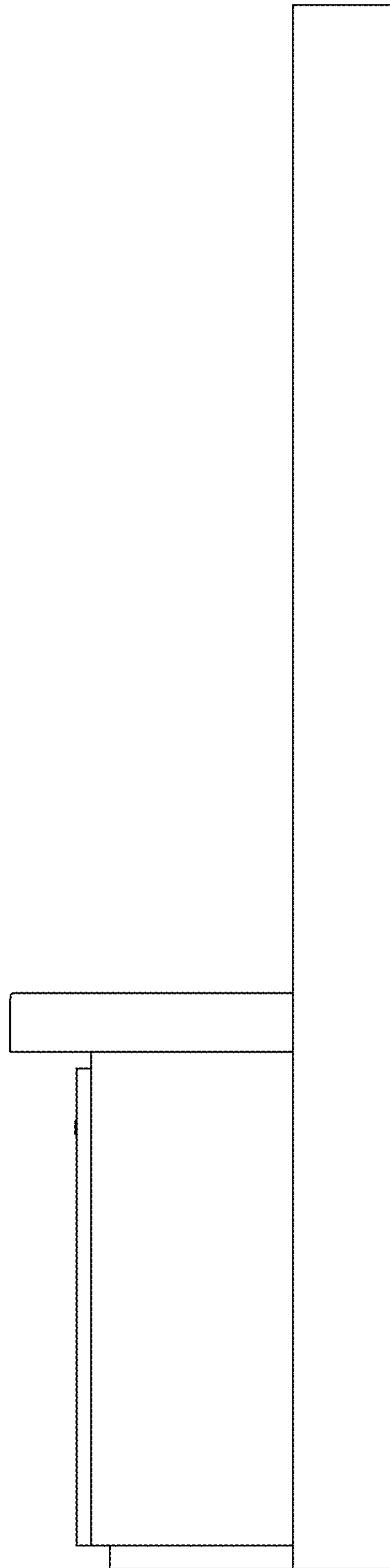


FIG. 30

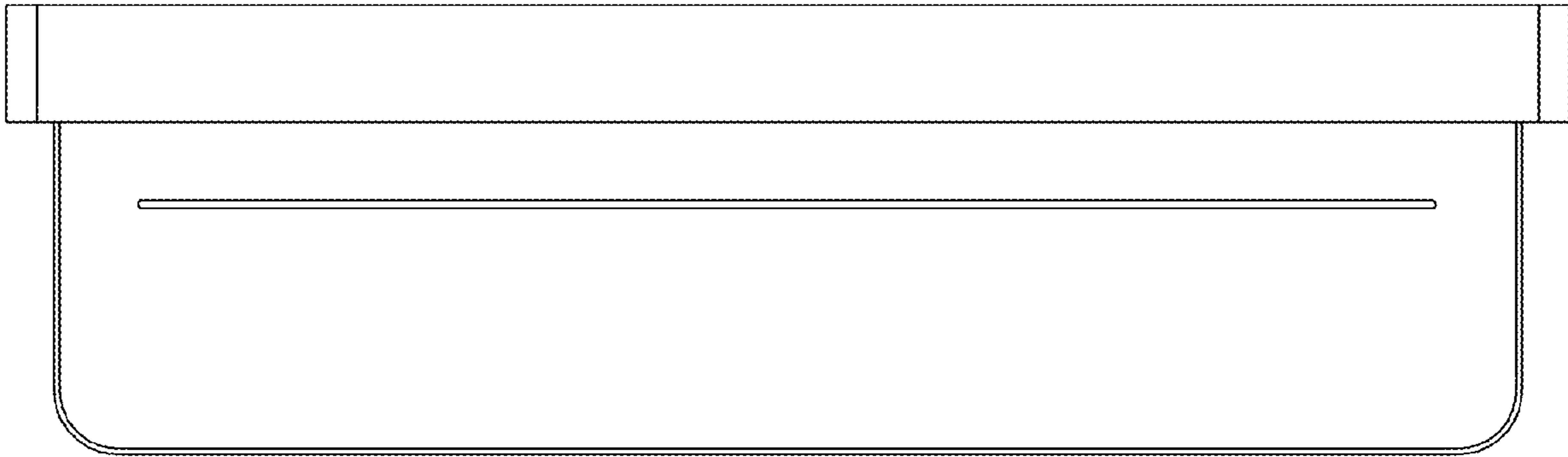


FIG. 31

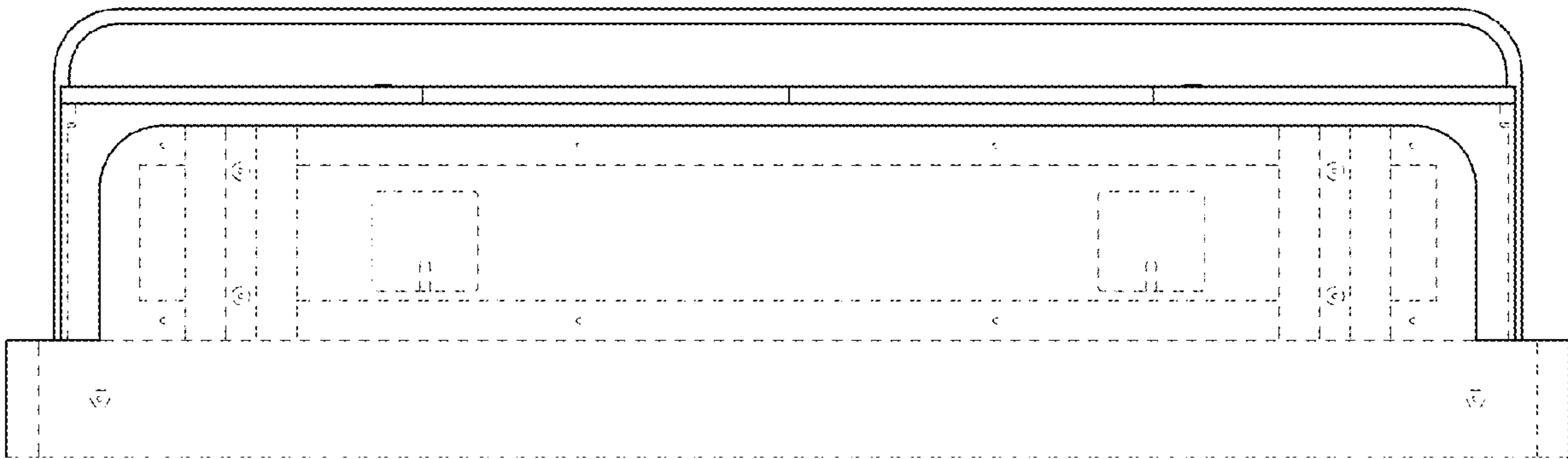


FIG. 32