



US00D961306S

(12) **United States Design Patent** (10) **Patent No.:** **US D961,306 S**
Nelson et al. (45) **Date of Patent:** **** Aug. 23, 2022**

(54) **RETAIL DISPLAY**

(71) Applicant: **Apple Inc.**, Cupertino, CA (US)

(72) Inventors: **Jake A. Nelson**, Berkeley, CA (US);
Tracey Adam Finger, Miami Beach, FL (US); **Constantino Siampos**, Alameda, CA (US); **Gregory Guillaume Lespinard**, San Jose, CA (US); **Scott J. Gardenhire**, San Francisco, CA (US); **Jean-Marc Gady**, Los Altos, CA (US); **Gabriel J. Lamb**, Burlingame, CA (US); **Seung Chae Kang**, New York, NY (US); **Stephen Yustiono**, Sunnyvale, CA (US); **Richard Coward**, San Francisco, CA (US)

(73) Assignee: **Apple Inc.**, Cupertino, CA (US)

(**) Term: **15 Years**

(21) Appl. No.: **29/754,414**

(22) Filed: **Oct. 9, 2020**

(51) **LOC (13) Cl.** **06-06**

(52) **U.S. Cl.**
USPC **D6/675**

(58) **Field of Classification Search**
USPC D14/356, 432, 434, 217, 251; D6/672, D6/675, 675.1, 675.2, 676.2, 676.5, 682, D6/682.1, 682.2
CPC A47F 5/0006; A47F 5/0025; A47F 5/0031; A47F 5/0081; A47F 5/01; A47F 7/00
See application file for complete search history.

(56) **References Cited**

U.S. PATENT DOCUMENTS

3,730,354 A * 5/1973 Bronstein A47G 25/005
211/38
D244,419 S * 5/1977 Anderson D32/58

D292,534 S * 10/1987 Basaraba D32/58
D465,891 S * 11/2002 Brown D32/58
D588,841 S * 3/2009 Lown D6/675.1
D741,563 S * 10/2015 Ouyang D32/58
D897,138 S * 9/2020 Thain D6/682.3
D901,950 S * 11/2020 McBrien D6/675.2
D913,734 S * 3/2021 Sabounjian D6/675.2
D938,205 S * 12/2021 Baer D6/682.2
2022/0167760 A1 * 6/2022 Grant G08B 13/1445

* cited by examiner

Primary Examiner — Kelley A Donnelly
(74) *Attorney, Agent, or Firm* — Sterne, Kessler, Goldstein & Fox P.L.L.C.

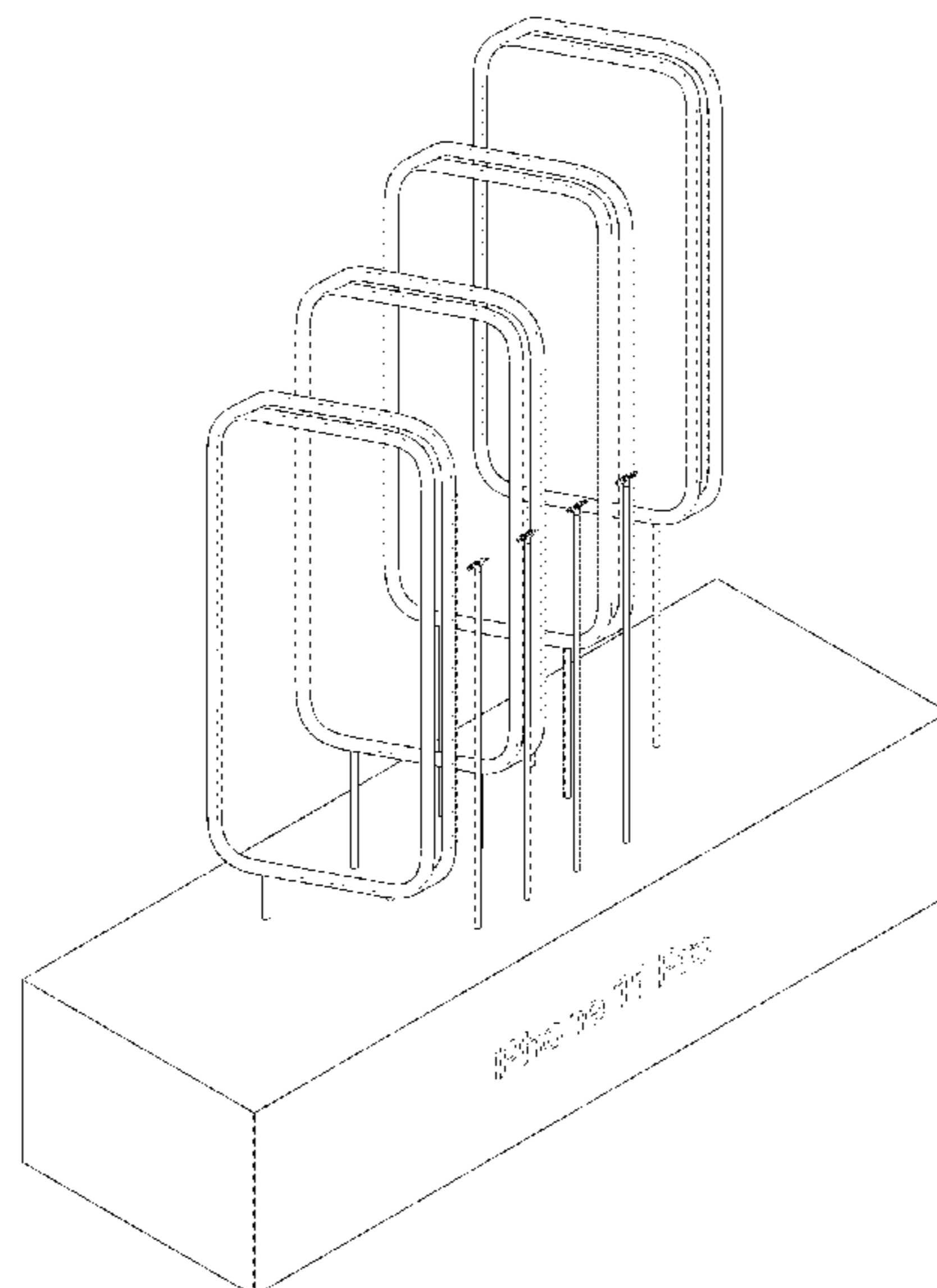
(57) **CLAIM**

The ornamental design for a retail display, as shown and described.

DESCRIPTION

FIG. 1 is a top front perspective view of a retail display showing the claimed design;
FIG. 2 is a top rear perspective view thereof;
FIG. 3 is a front view thereof;
FIG. 4 is a rear view thereof;
FIG. 5 is a left side view thereof;
FIG. 6 is a right side view thereof;
FIG. 7 is a top view thereof; and,
FIG. 8 is another top front perspective thereof showing the claimed design in an environment in which it may be used. The broken lines in the figures show portions of the retail display or environment that form no part of the claimed design.
Portions of the retail display that are not shown form no part of the claimed design.

1 Claim, 7 Drawing Sheets



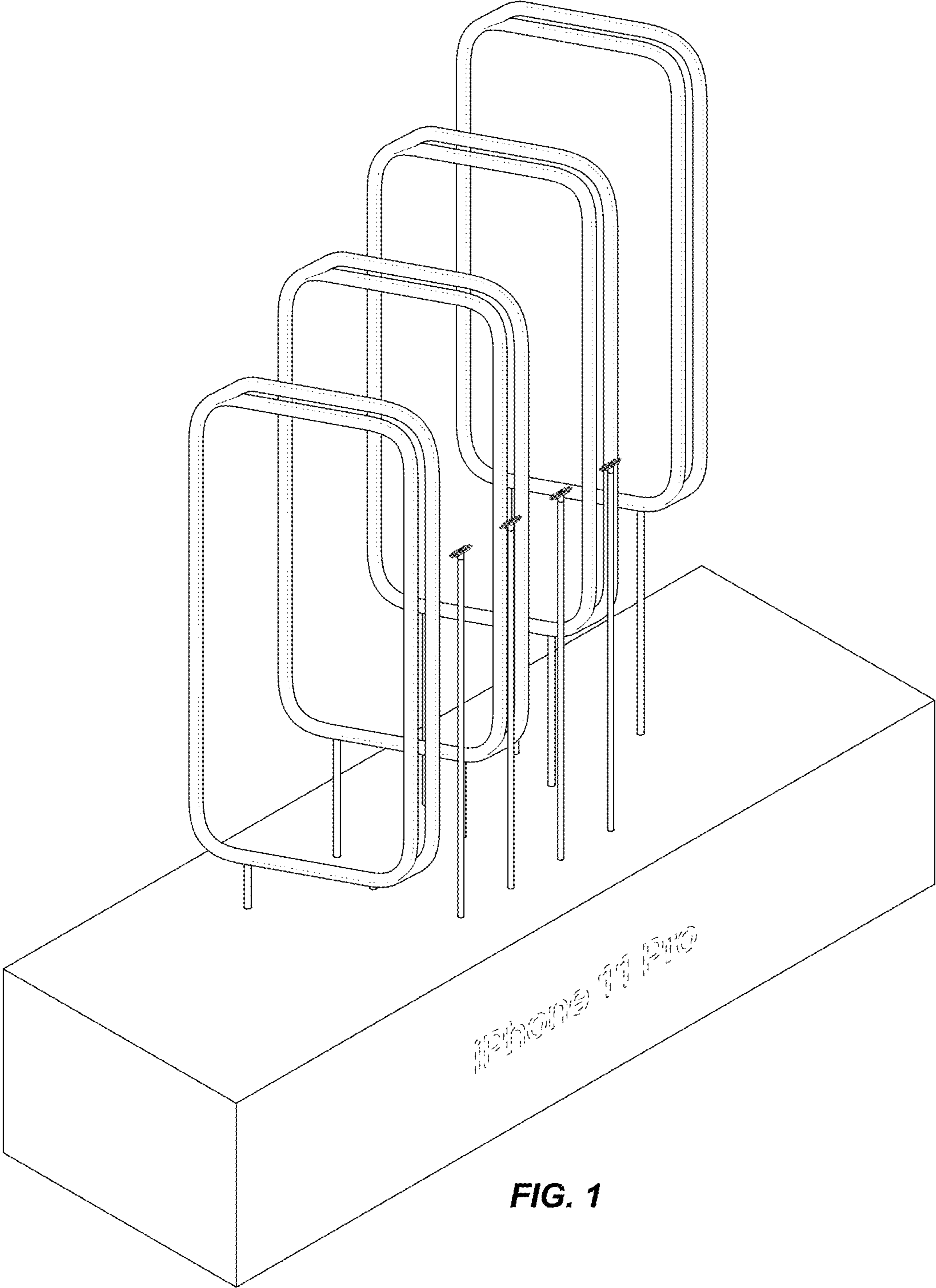


FIG. 1

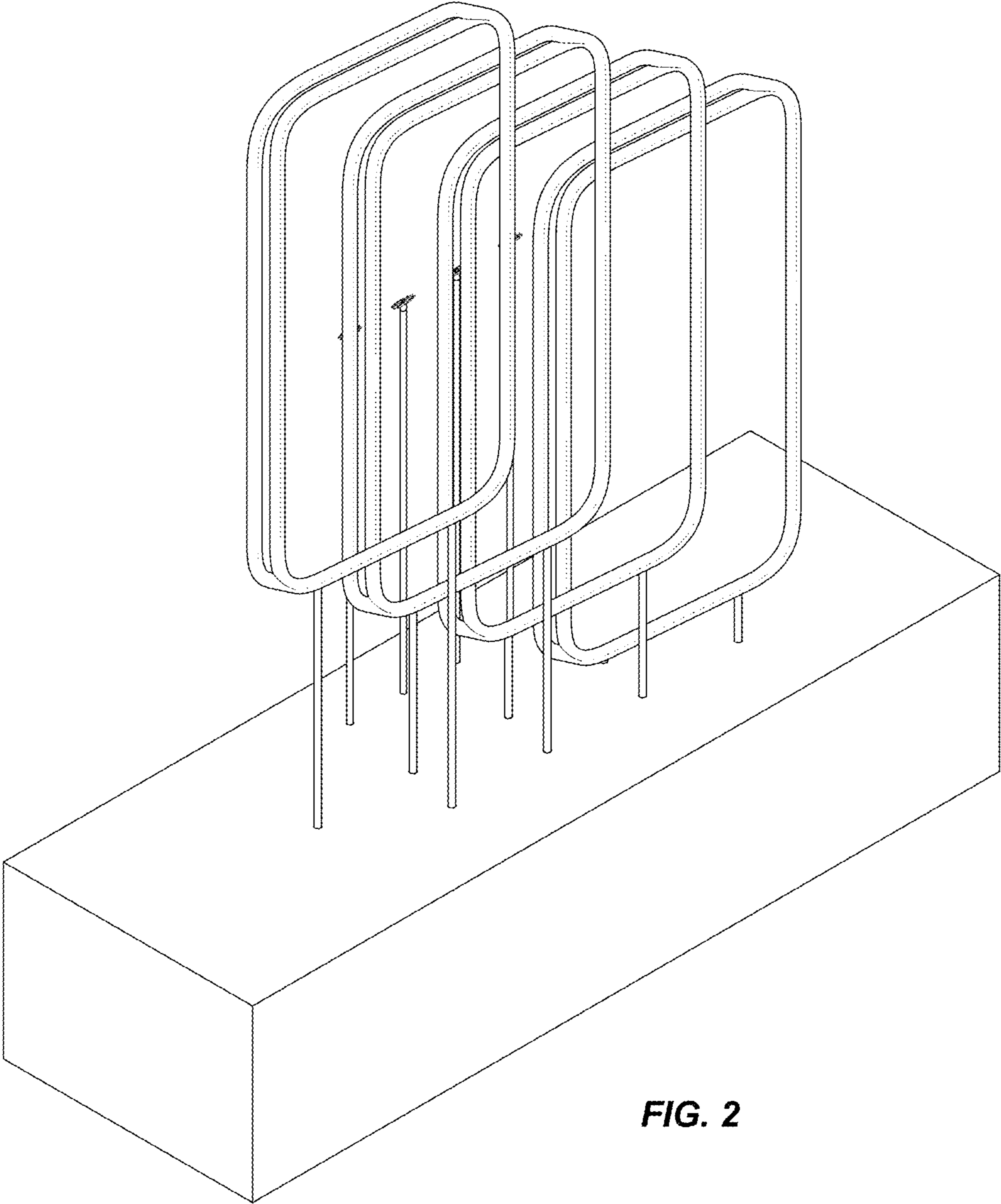


FIG. 2

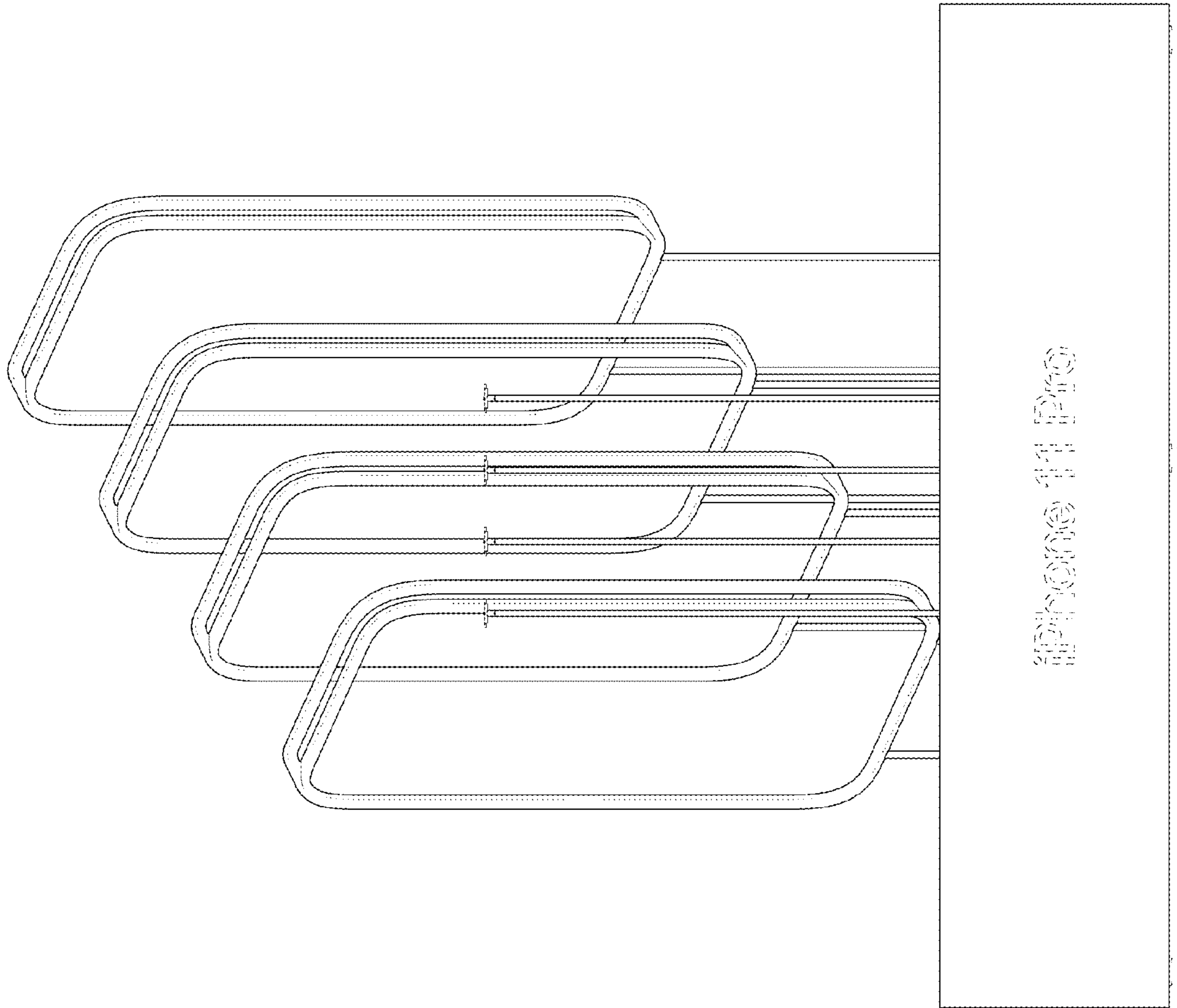


FIG. 3

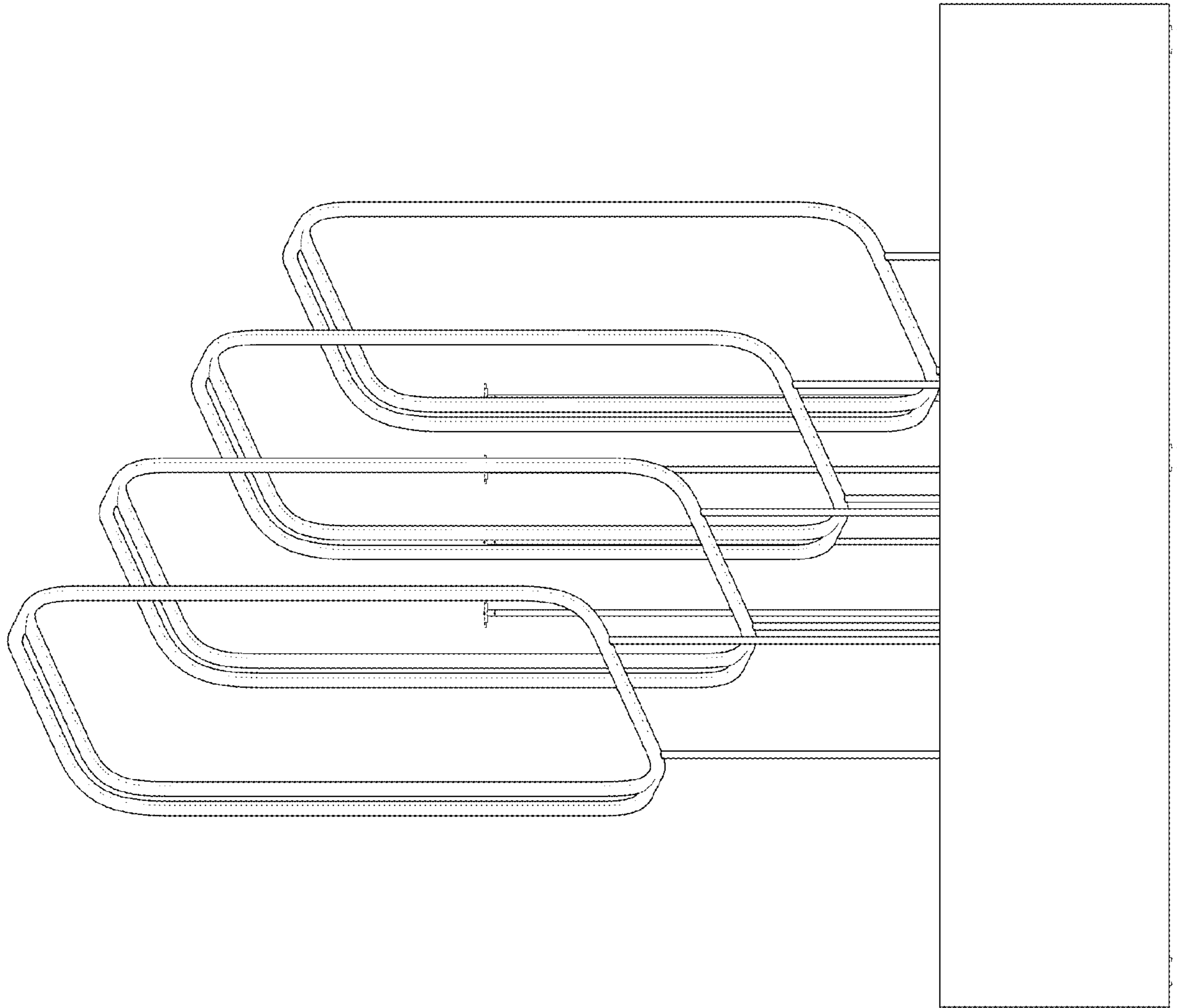


FIG. 4

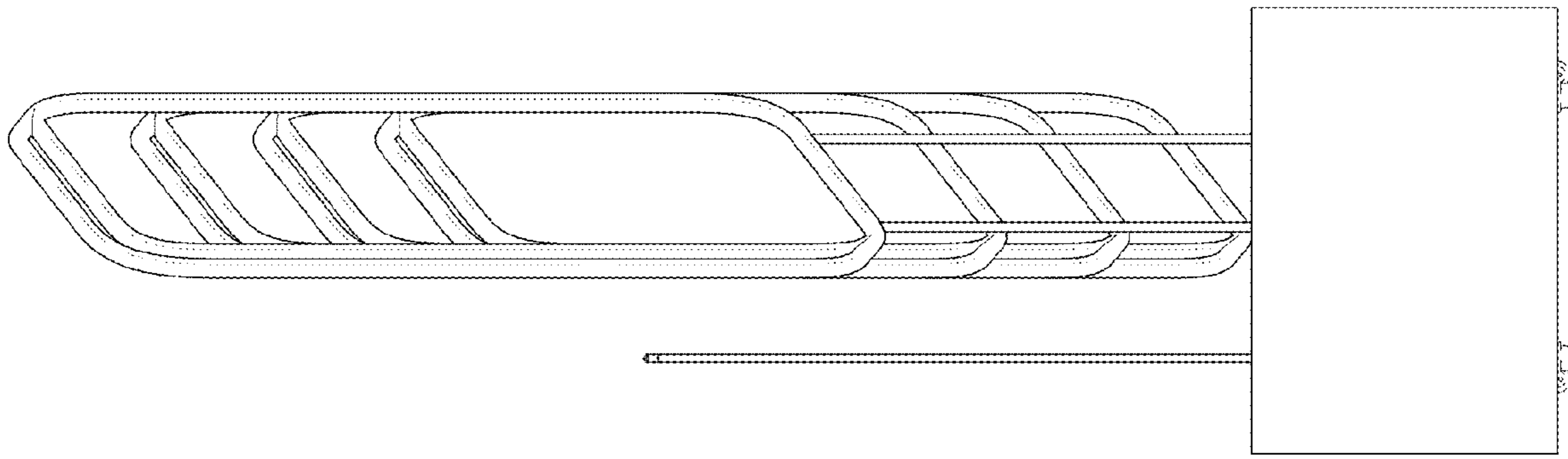


FIG. 6

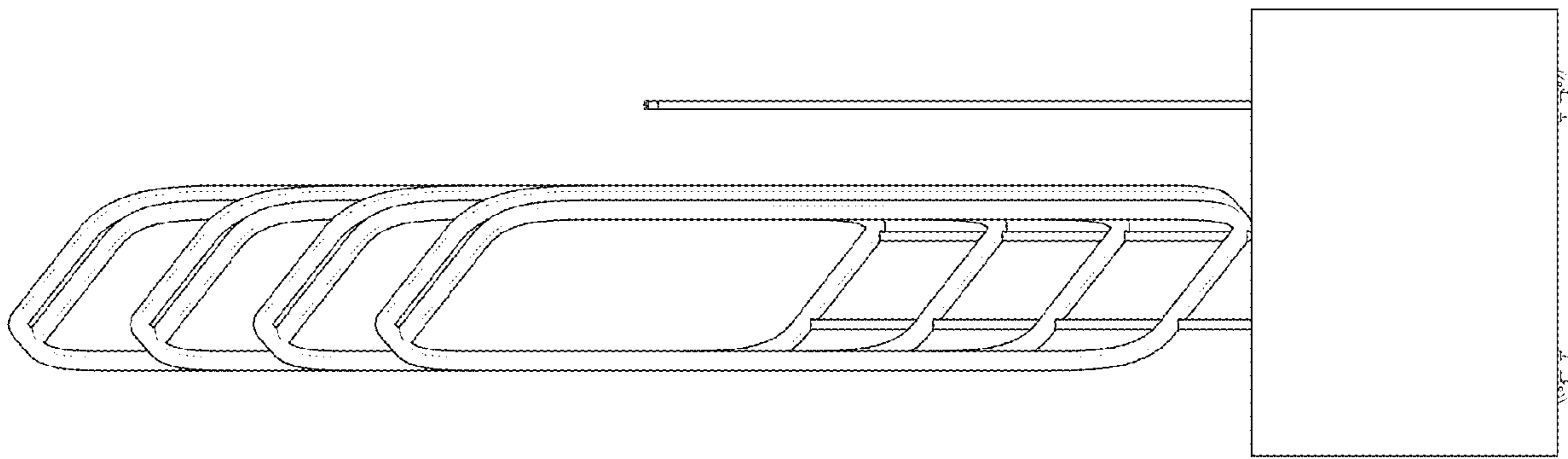


FIG. 5

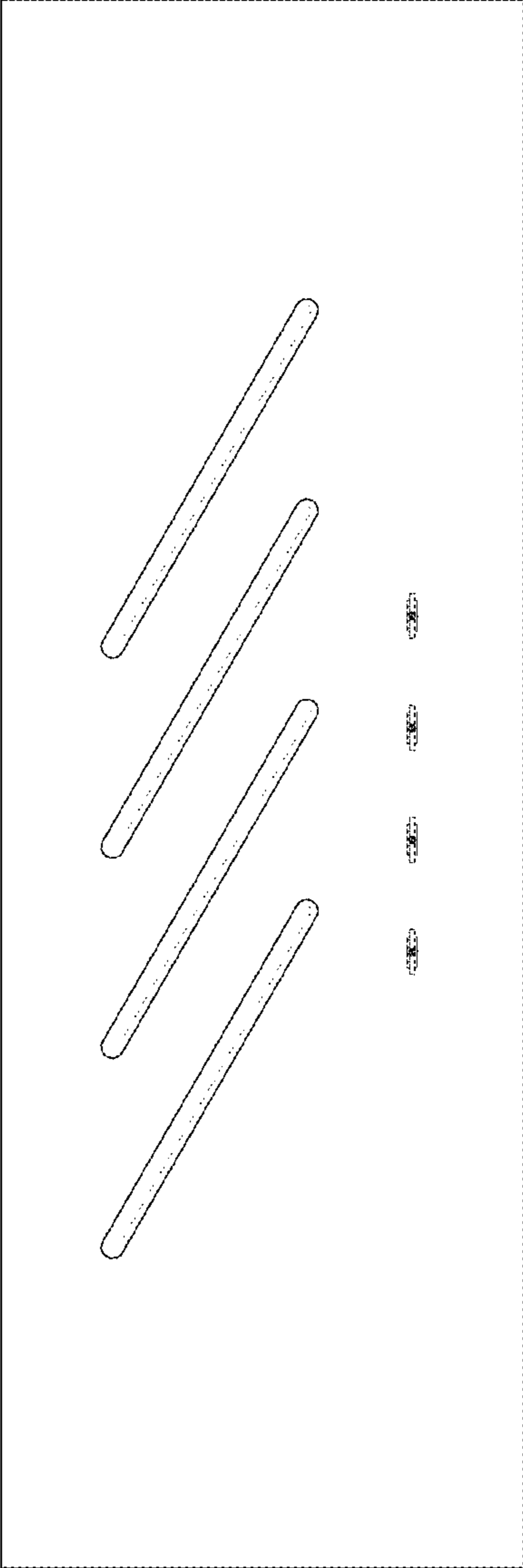


FIG. 7

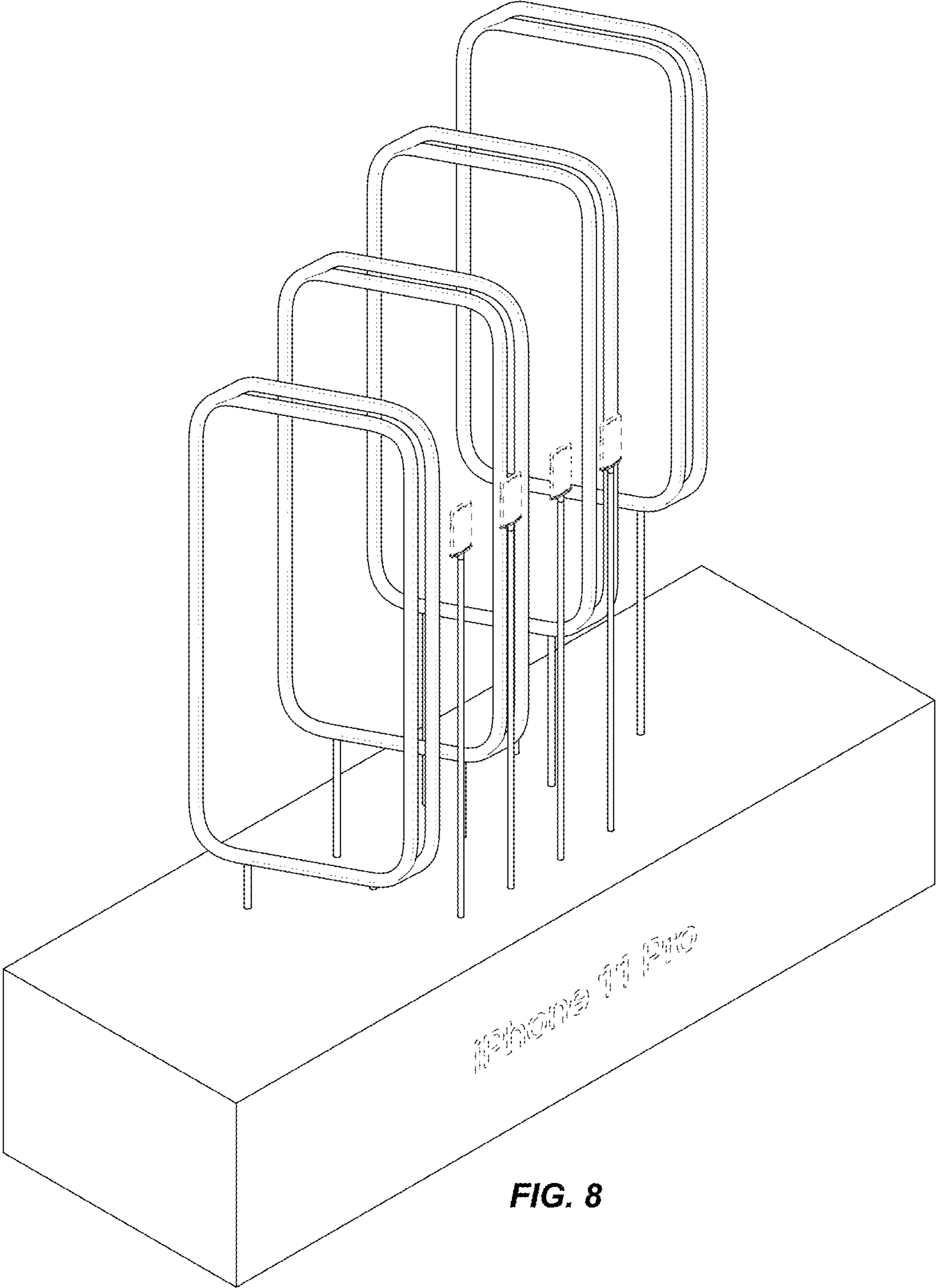


FIG. 8