



US00D961305S

(12) **United States Design Patent** (10) **Patent No.:** **US D961,305 S**
Zheng (45) **Date of Patent:** **** Aug. 23, 2022**

(54) **FILE CABINET**

D492,135 S 6/2004 Anderson et al.
D514,846 S * 2/2006 McDiarmid D6/671.1
D579,231 S * 10/2008 Cheng D6/664
D854,361 S 7/2019 Huo

(71) Applicant: **Hongbing Zheng**, Hangzhou (CN)

(72) Inventor: **Hongbing Zheng**, Hangzhou (CN)

(73) Assignee: **Hongbing Zheng**, Hangzhou (CN)

(**) Term: **15 Years**

(21) Appl. No.: **29/821,463**

(22) Filed: **Dec. 30, 2021**

(30) **Foreign Application Priority Data**

Dec. 1, 2021 (CN) 202130792619.1

(51) **LOC (13) Cl.** **06-04**

(52) **U.S. Cl.**
USPC **D6/671.1**

(58) **Field of Classification Search**
USPC D6/663, 664, 657, 671, 671.1, 671.2,
D6/671.3, 671.4; D34/19, 20
CPC A47B 17/04; A47B 47/00; A47B 47/04;
A47B 57/00; A47B 63/00; A47B 67/00;
A47B 67/005; A47B 67/04; A47B 88/00;
A47B 88/40

See application file for complete search history.

(56) **References Cited**

U.S. PATENT DOCUMENTS

D408,954 S * 4/1999 Geier D6/657
D452,621 S * 1/2002 Vidal-Damon D6/671.1
D472,402 S 4/2003 Wang

* cited by examiner

Primary Examiner — Mimoso De

(74) *Attorney, Agent, or Firm* — Bayramoglu Law Offices LLC

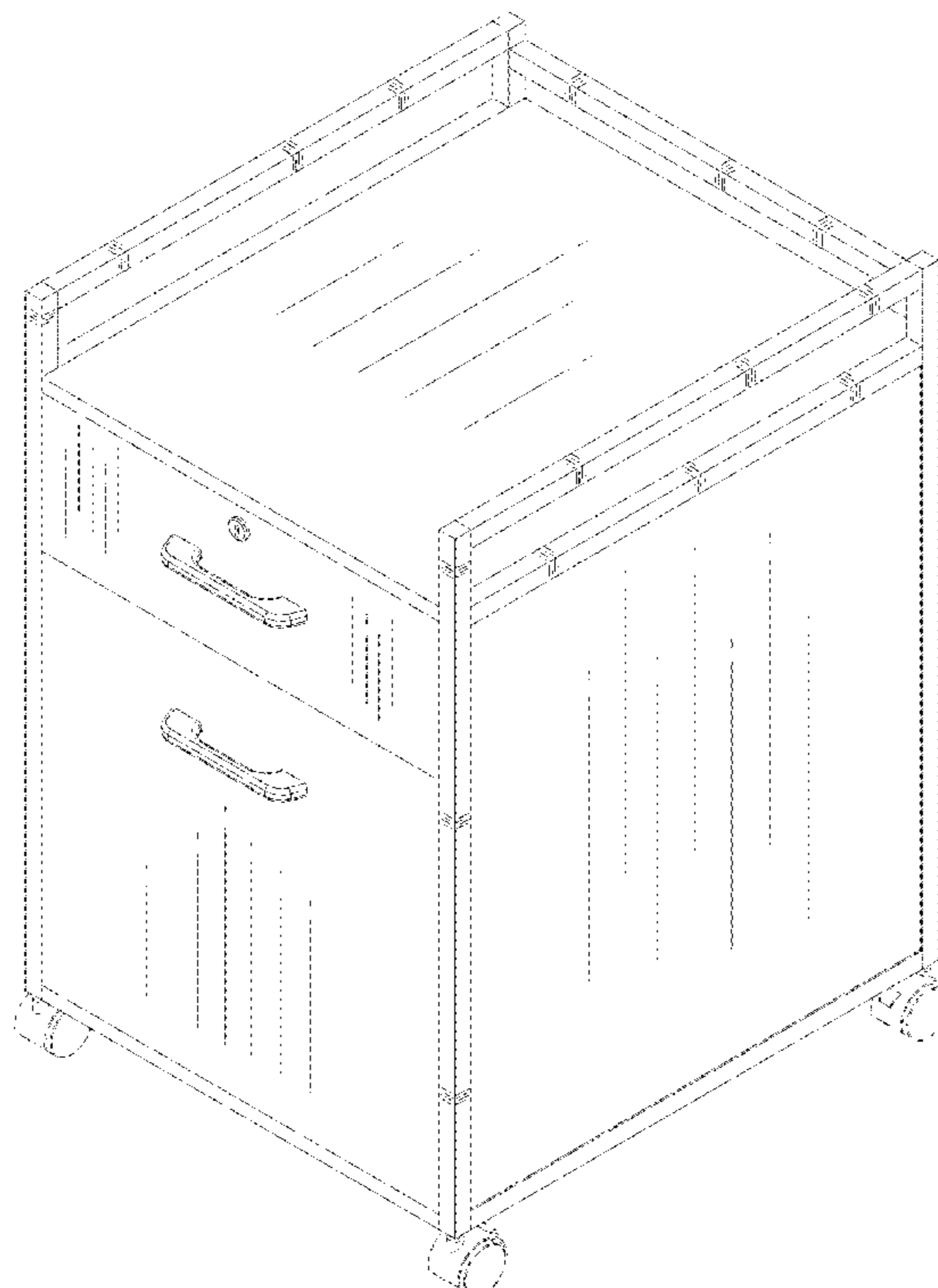
(57) **CLAIM**

The ornamental design for a file cabinet, as shown and described.

DESCRIPTION

FIG. 1 is a perspective view of a first embodiment of a file cabinet showing my new design;
FIG. 2 is a front view thereof;
FIG. 3 is a rear view thereof;
FIG. 4 is a left side view thereof;
FIG. 5 is a right side view thereof;
FIG. 6 is a top view thereof;
FIG. 7 is a bottom view thereof;
FIG. 8 is a perspective view of a second embodiment of the file cabinet;
FIG. 9 is a front view thereof;
FIG. 10 is a rear view thereof;
FIG. 11 is a left side view thereof;
FIG. 12 is a right side view thereof;
FIG. 13 is a top view thereof; and,
FIG. 14 is a bottom view thereof.
The broken lines depict portions of the file cabinet form no part of the claimed design.

1 Claim, 14 Drawing Sheets



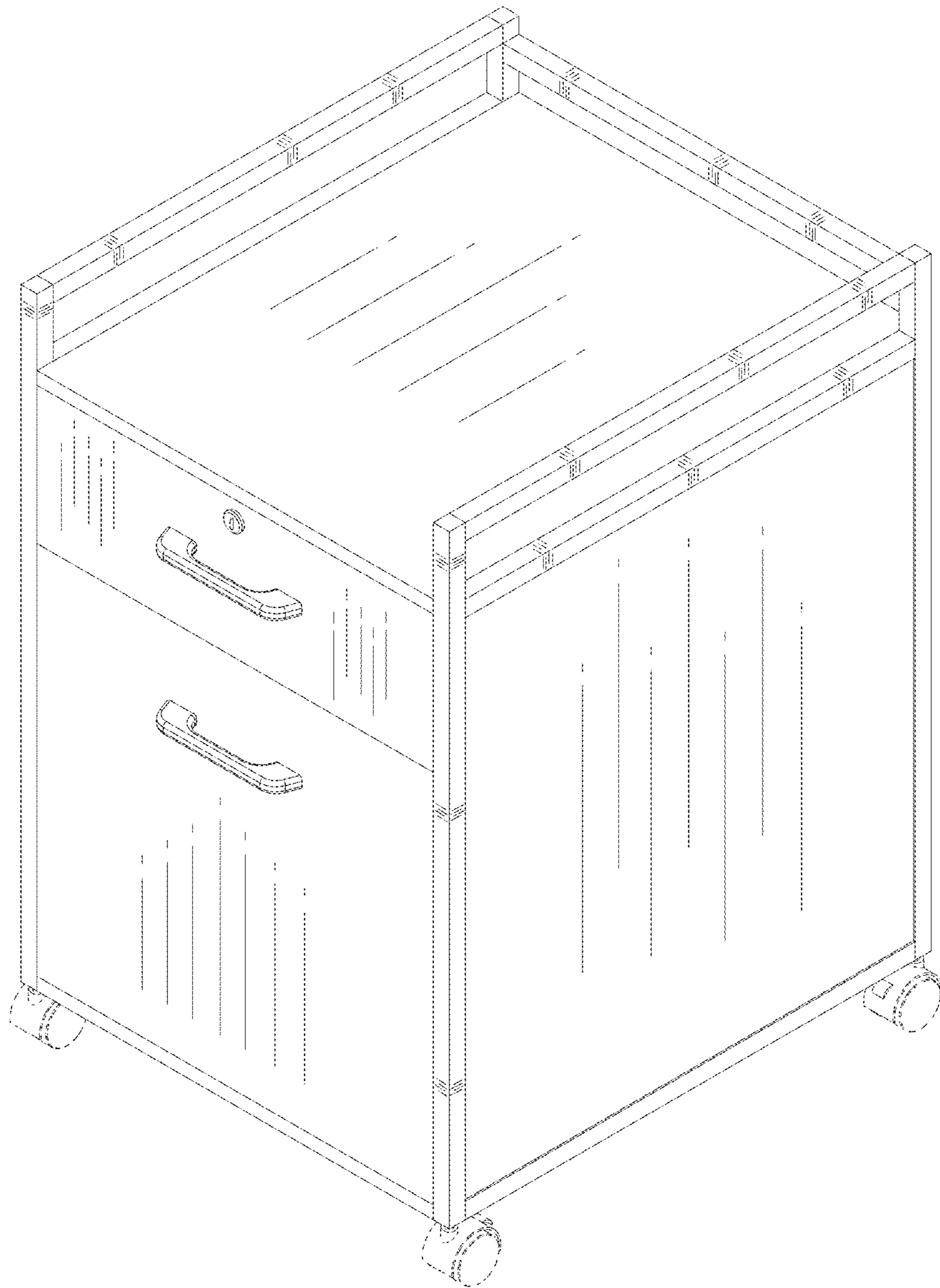


FIG. 1

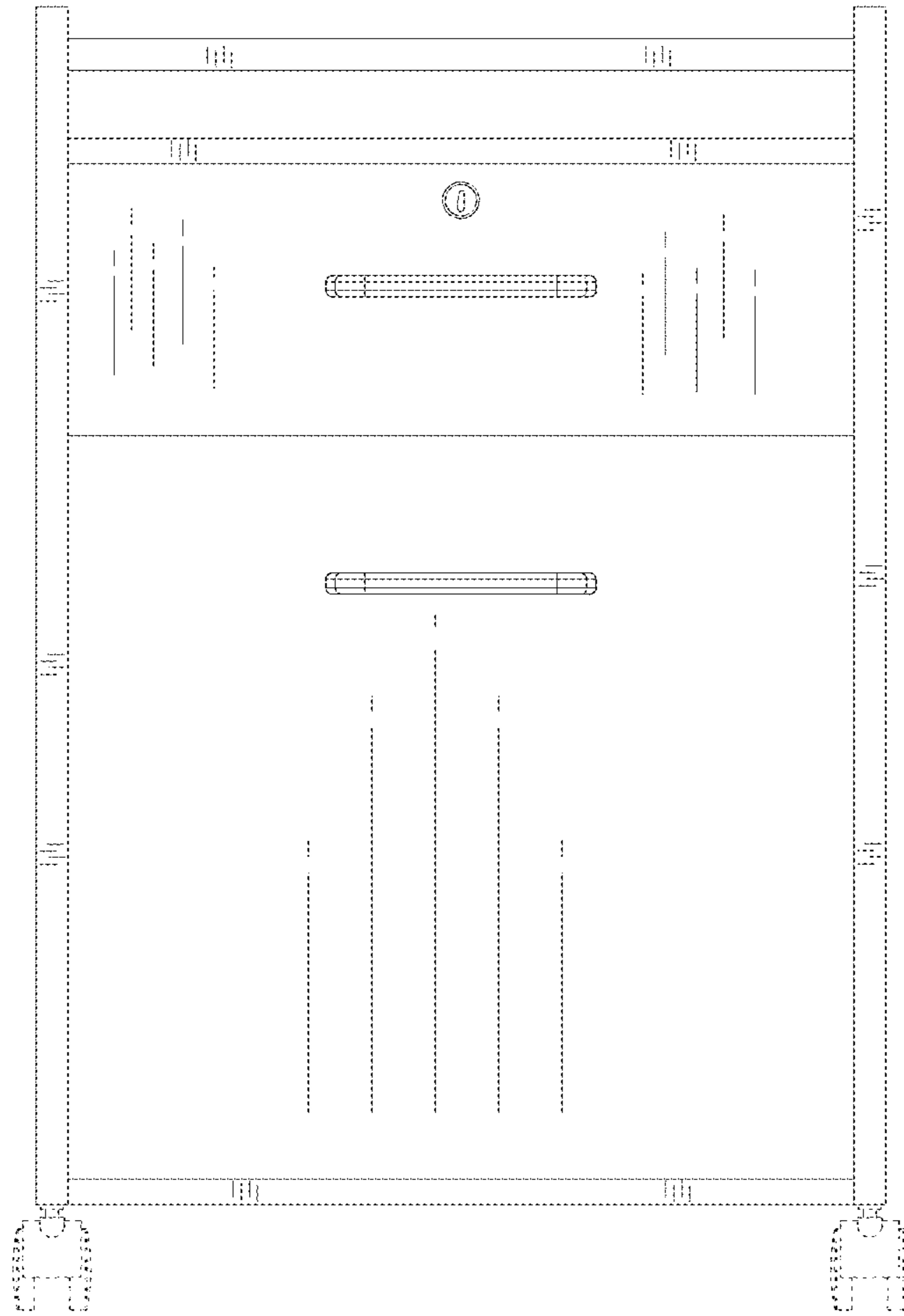


FIG. 2

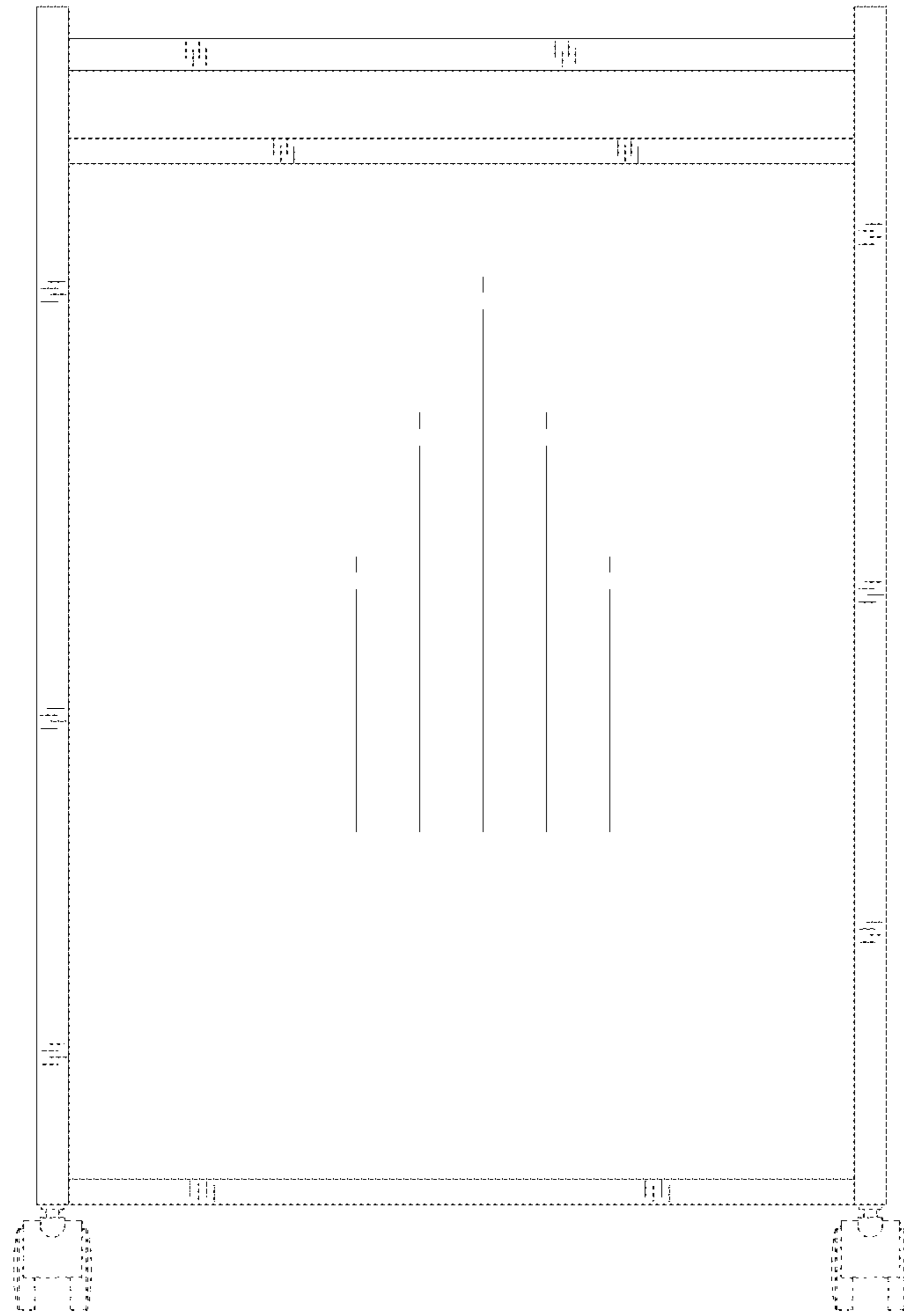


FIG. 3

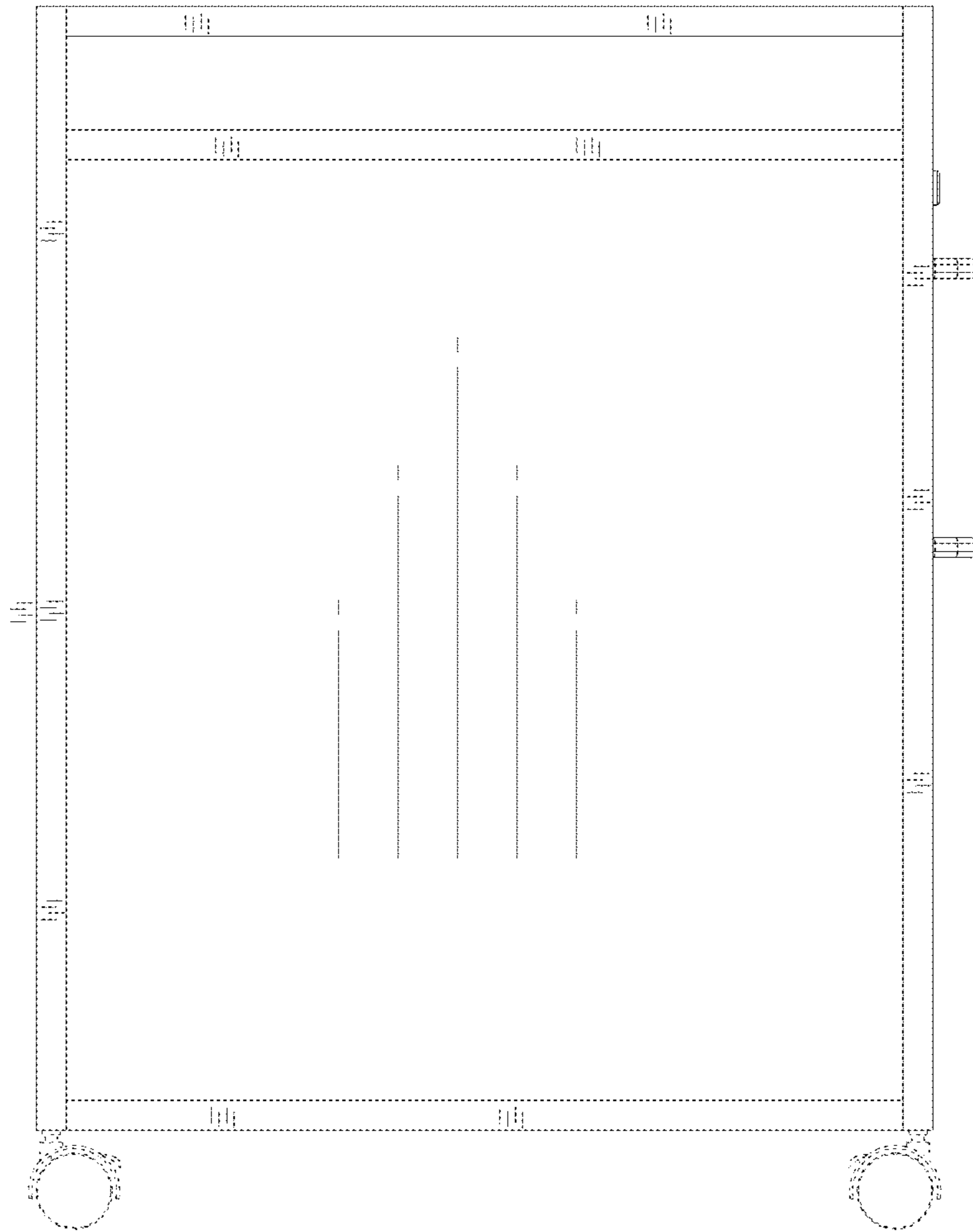


FIG. 4

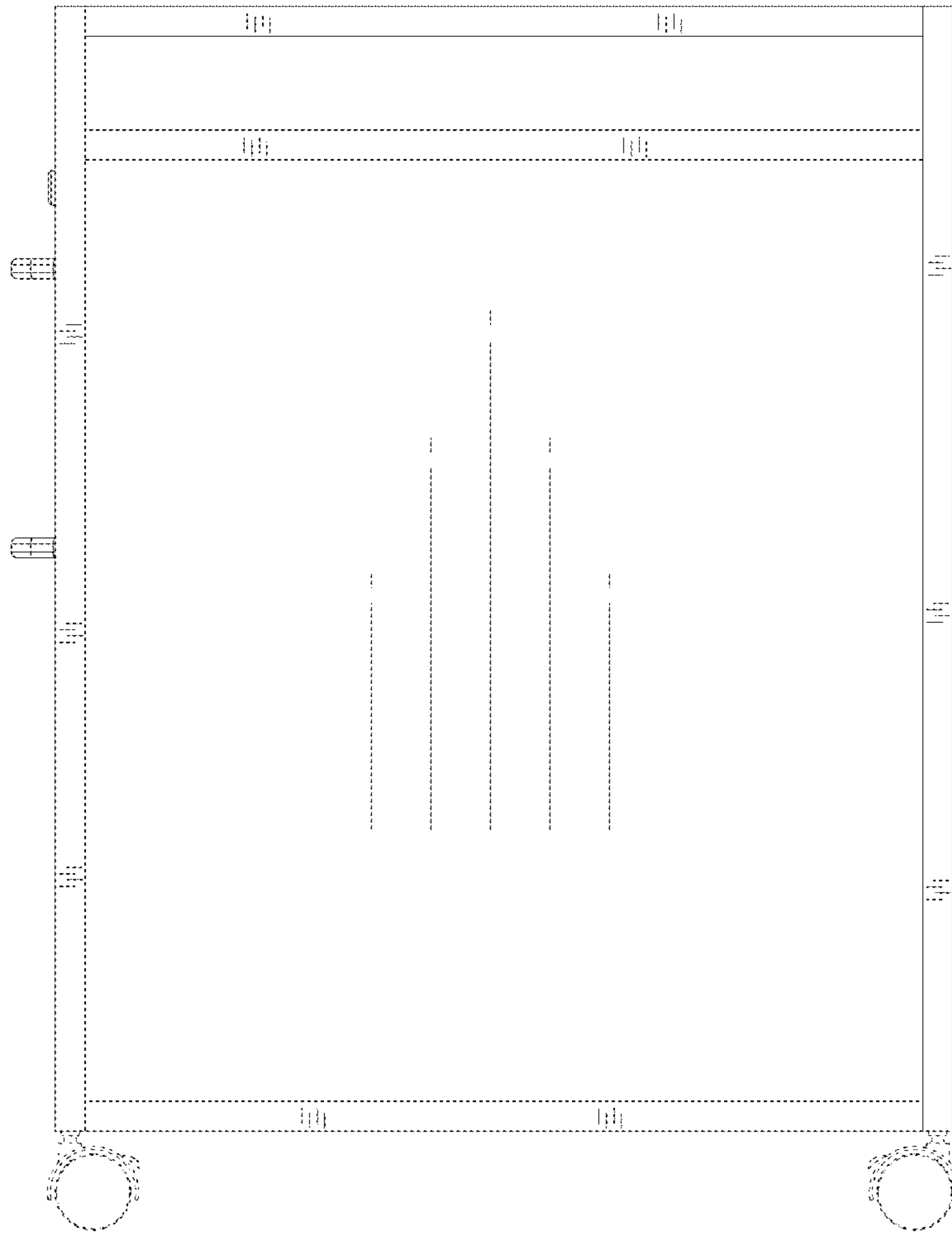


FIG. 5

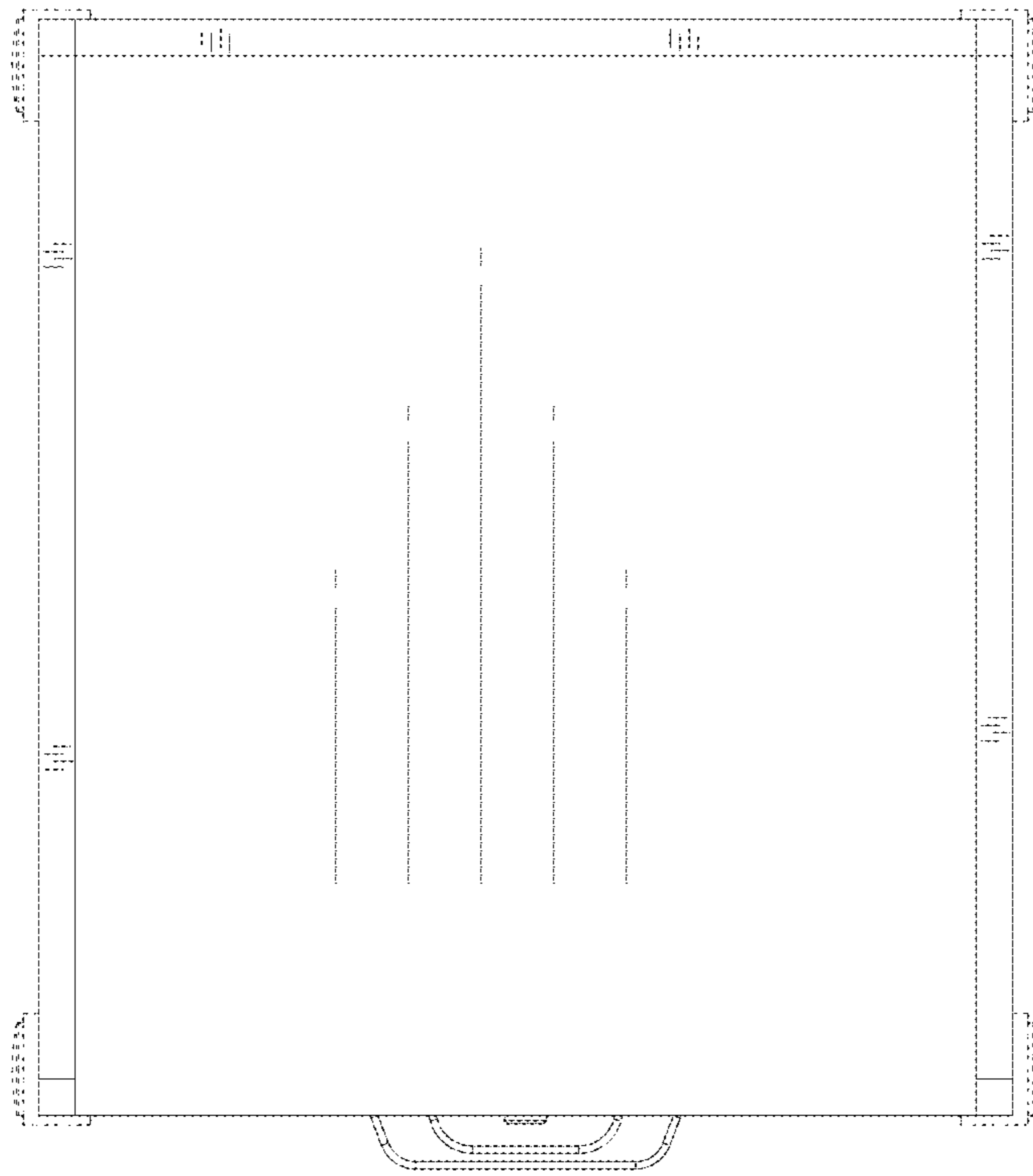


FIG. 6

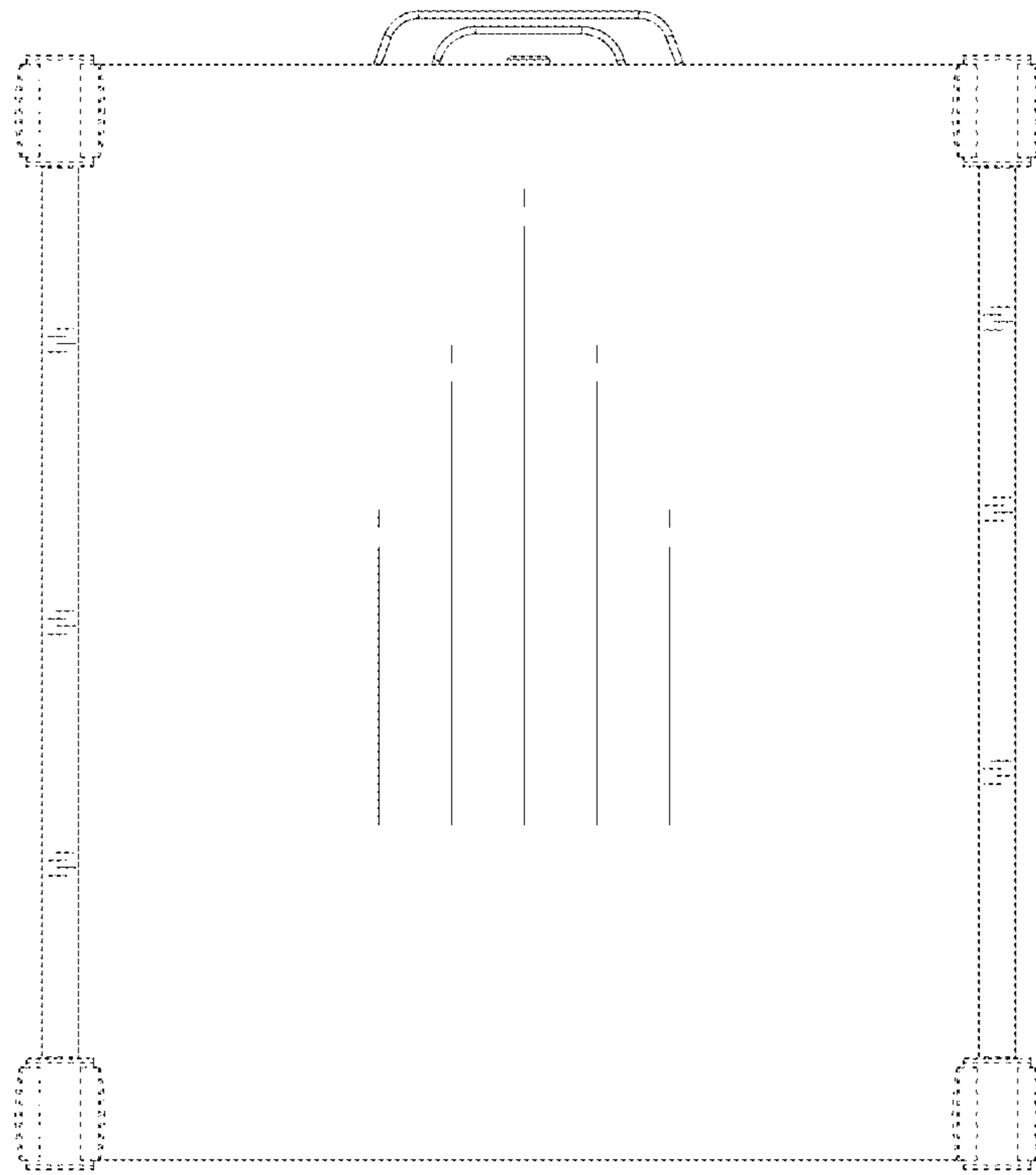


FIG. 7

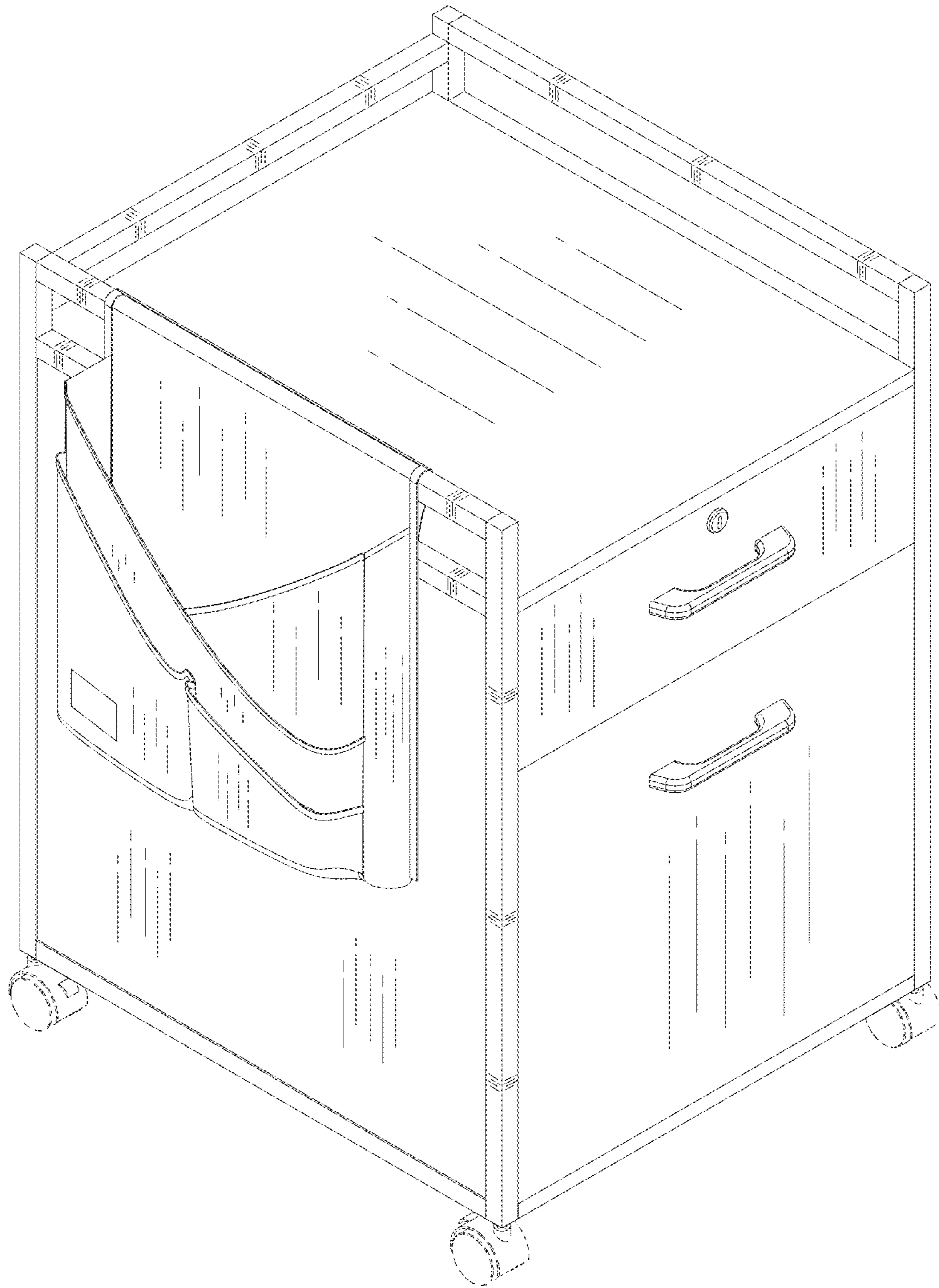


FIG. 8

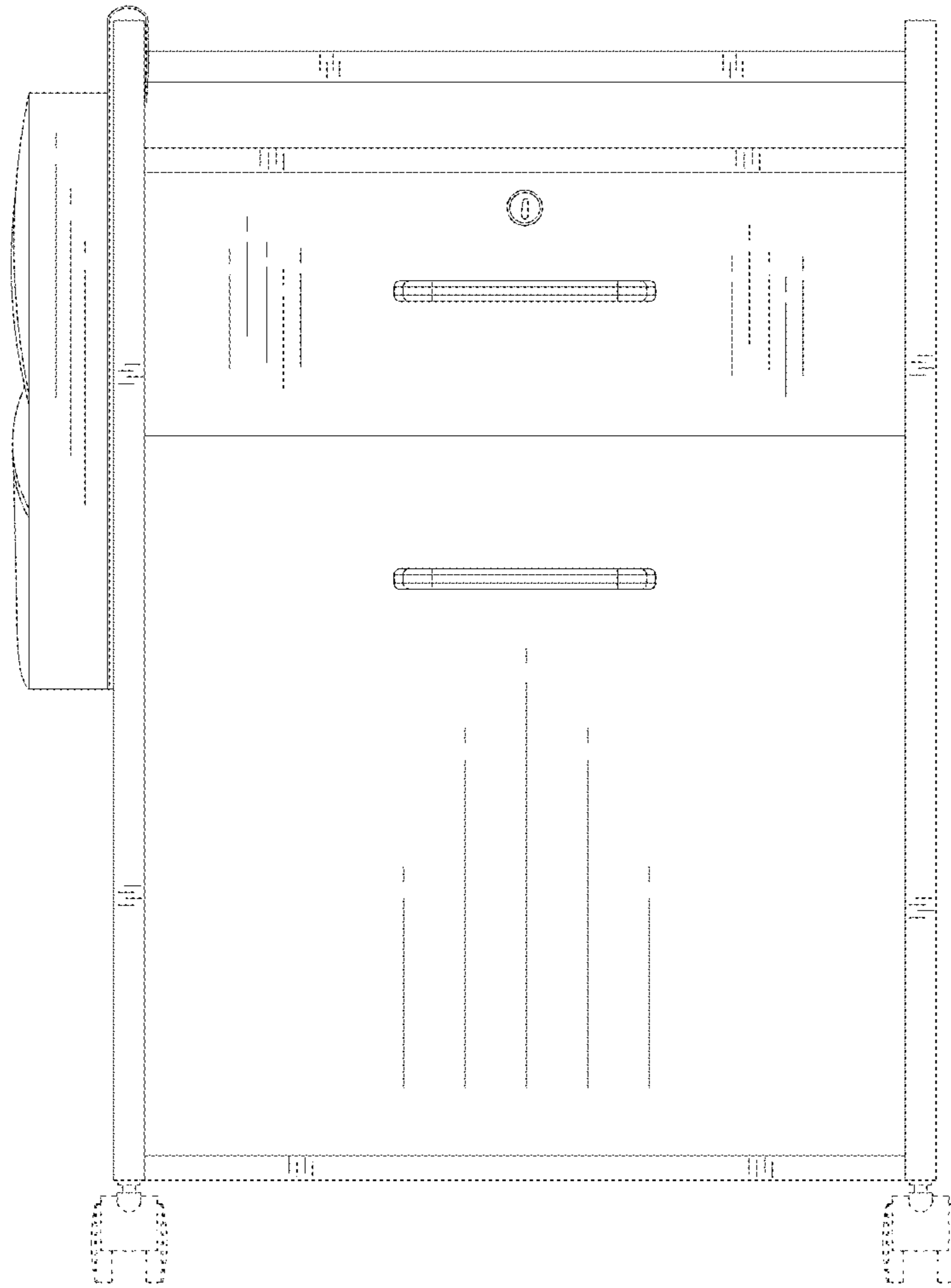


FIG. 9

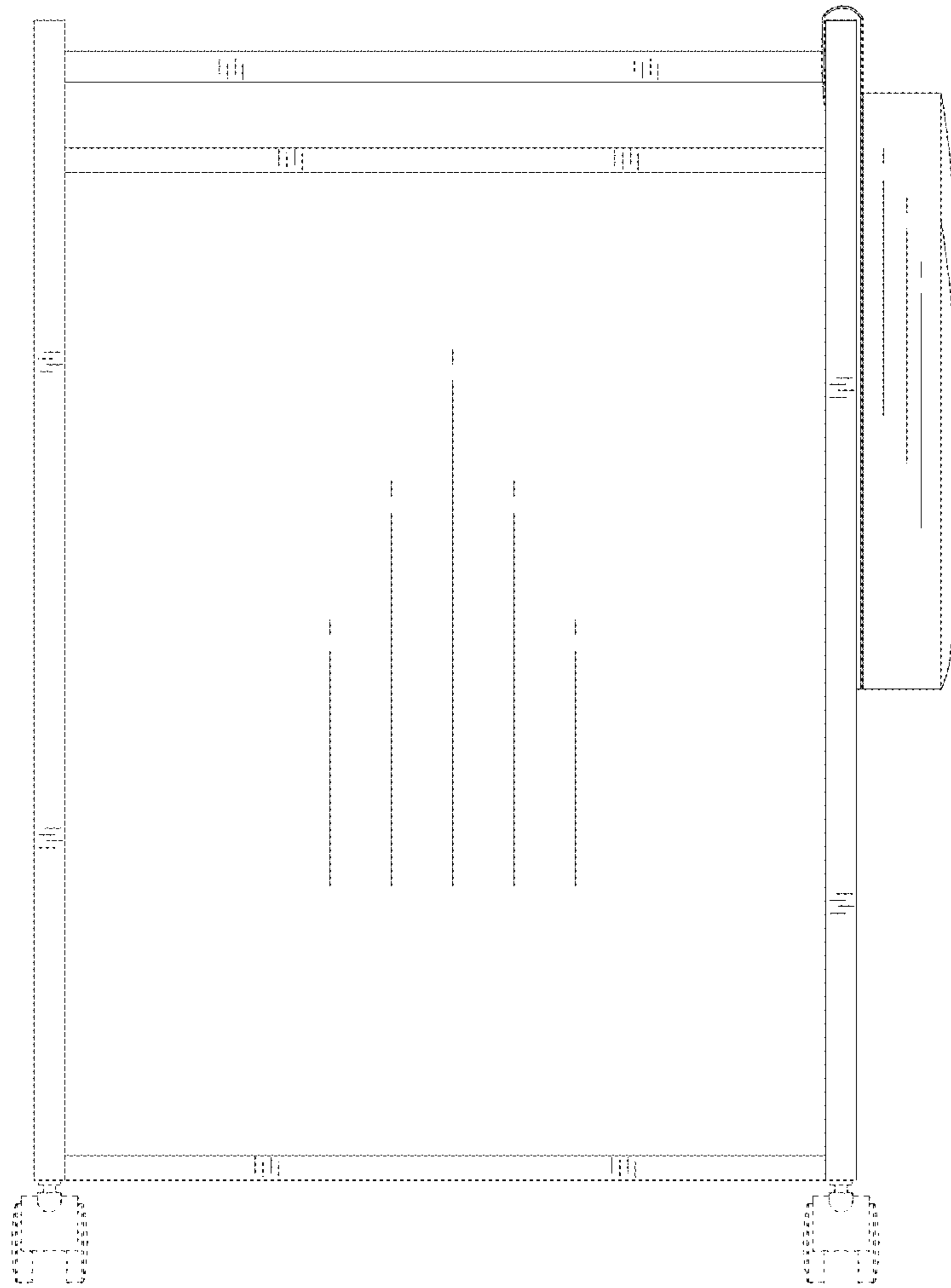


FIG. 10

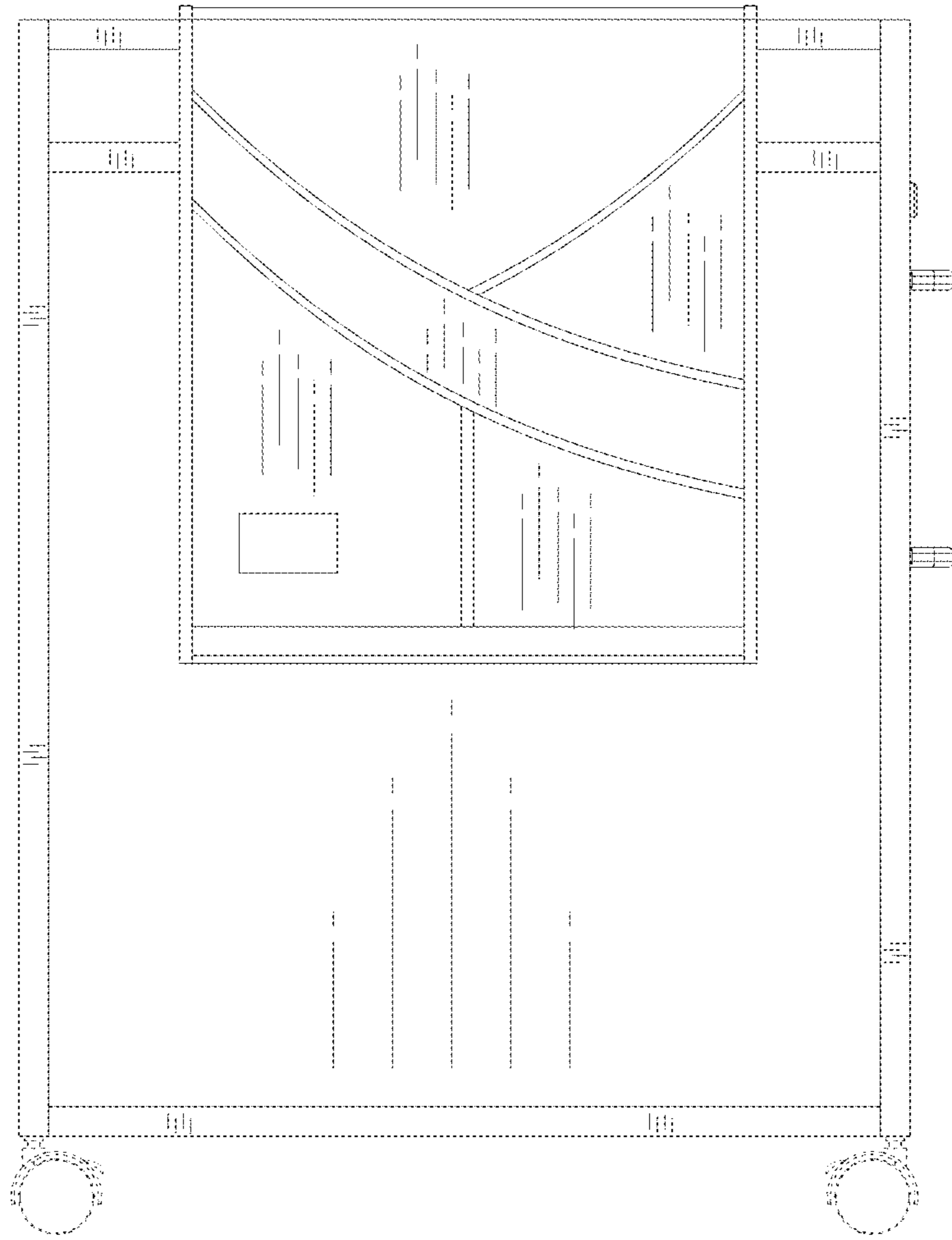


FIG. 11

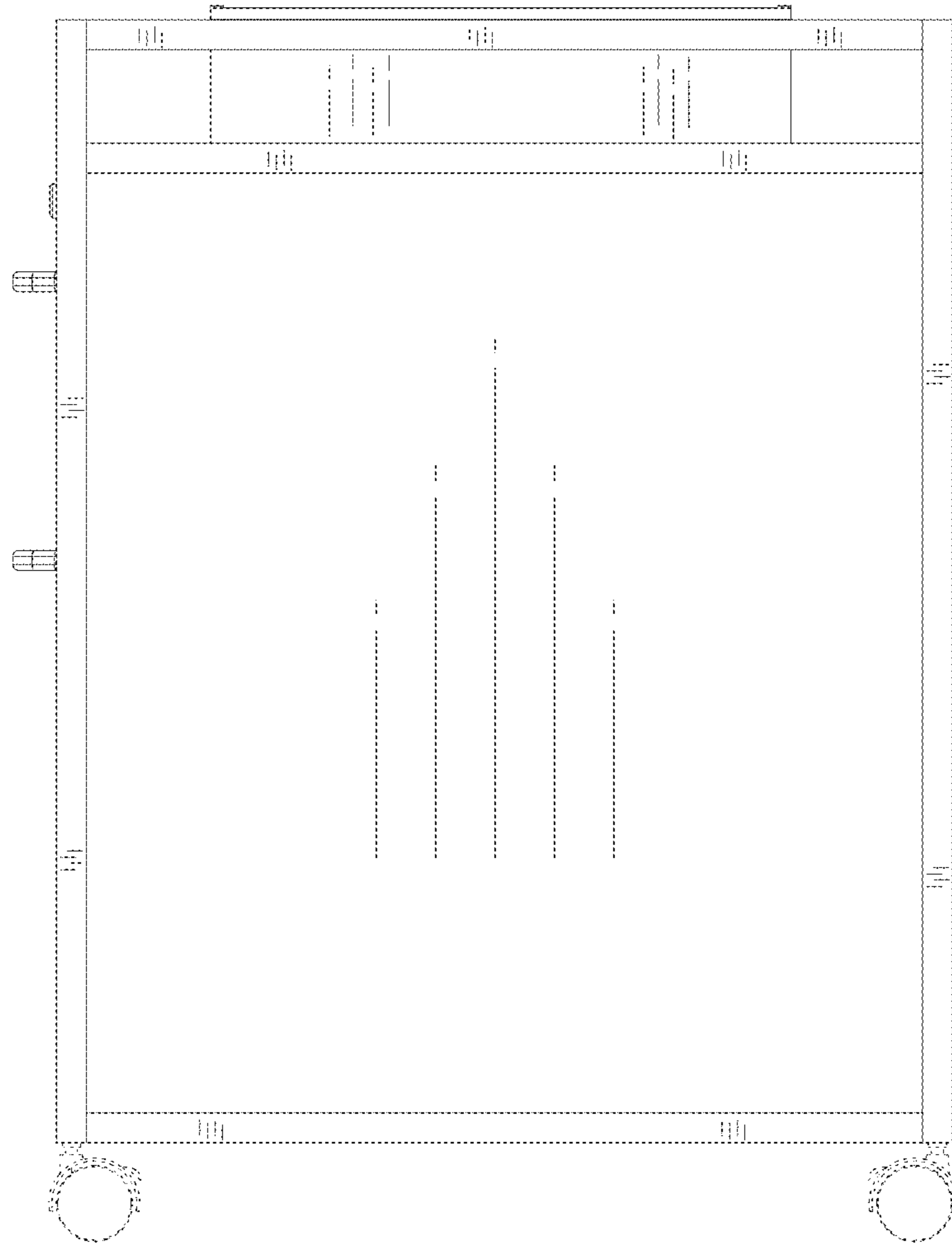


FIG. 12

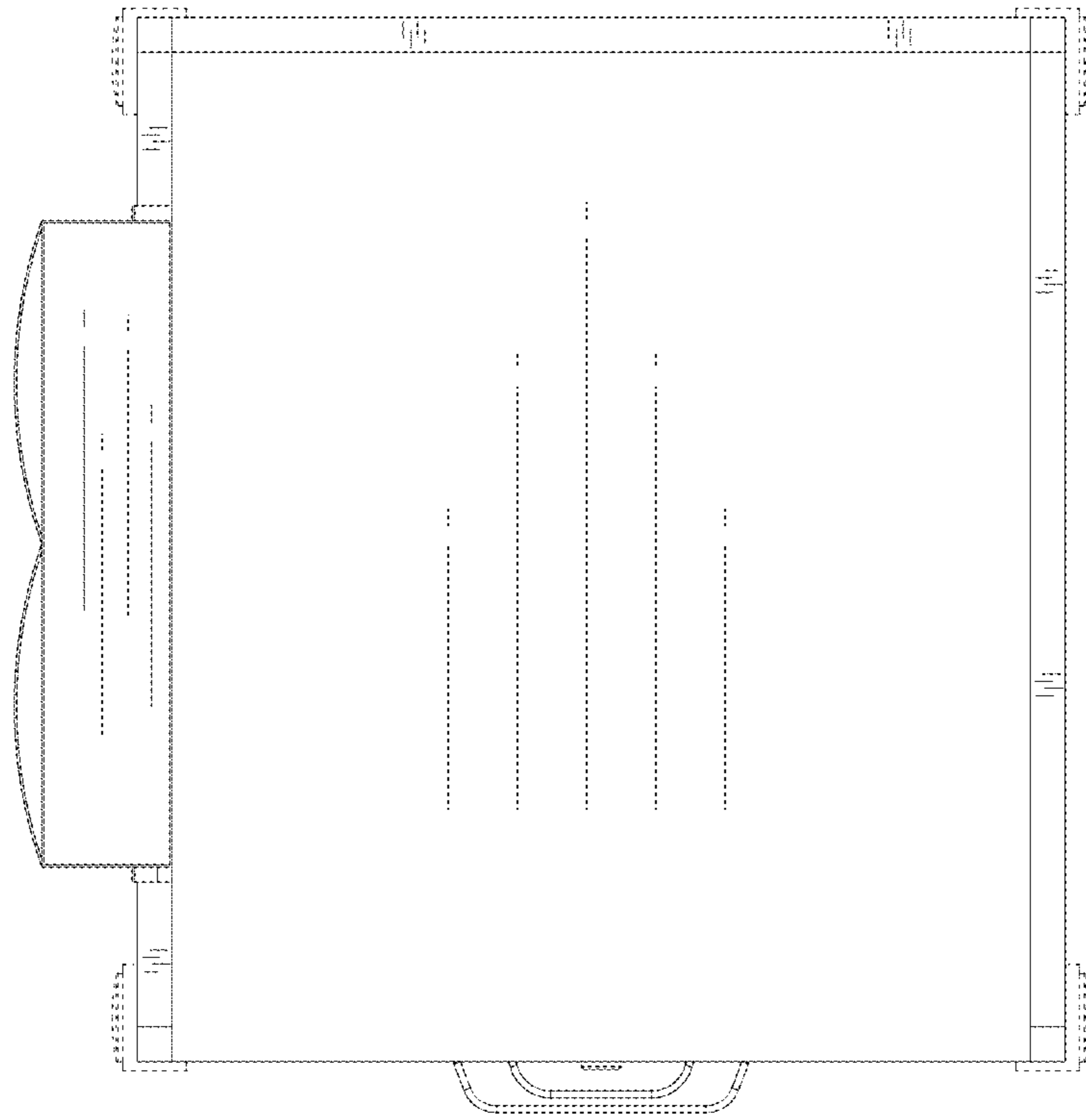


FIG. 13

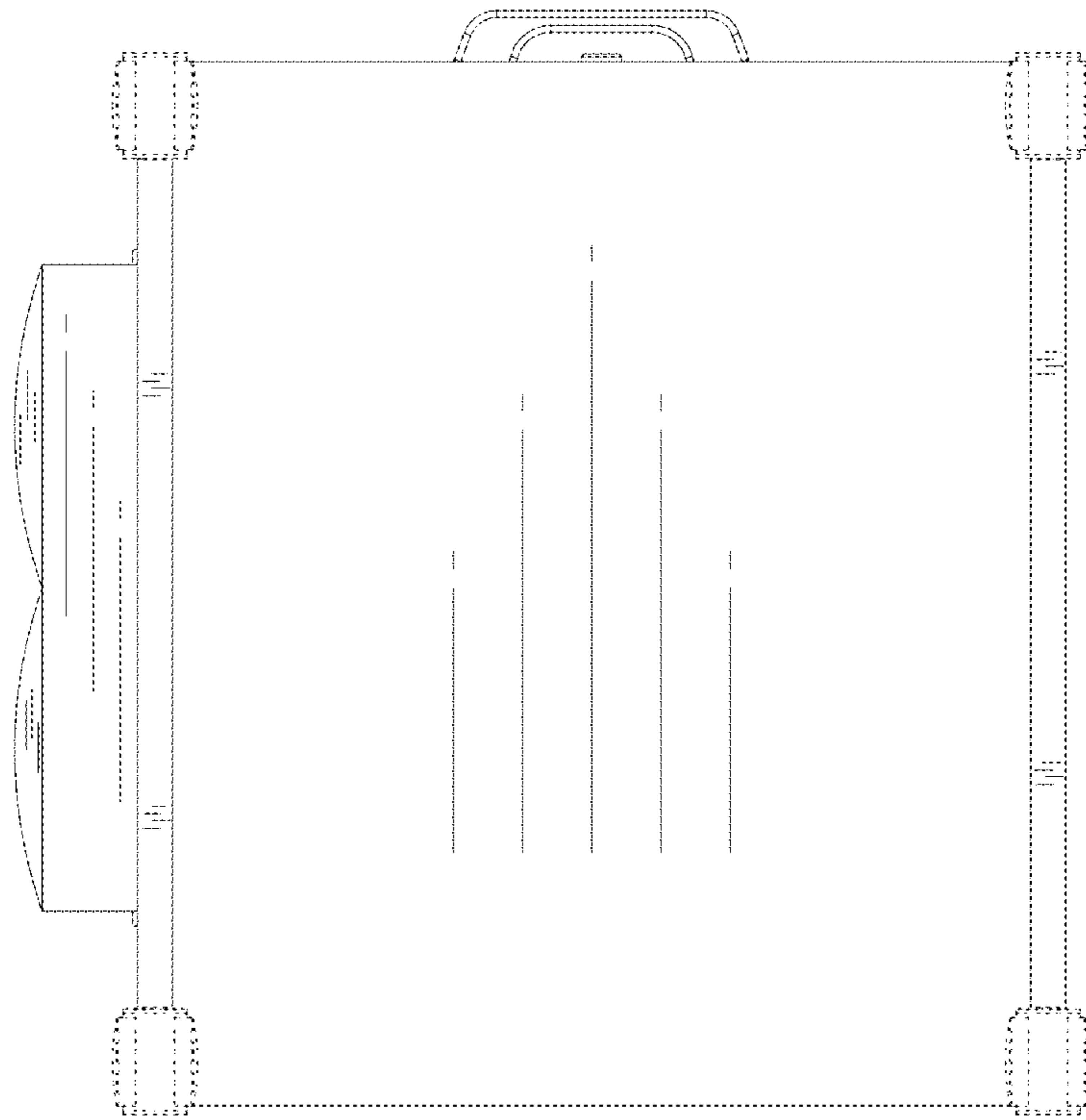


FIG. 14