



US00D961300S

(12) **United States Design Patent** (10) **Patent No.:** **US D961,300 S**
Robins (45) **Date of Patent:** **** Aug. 23, 2022**

(54) **UTILITY TABLE**
(71) Applicant: **Bruce Robins**, Philadelphia, PA (US)
(72) Inventor: **Bruce Robins**, Philadelphia, PA (US)
(73) Assignee: **HASKELL OFFICE**, Bala Cynwyd, PA (US)
(**) Term: **15 Years**
(21) Appl. No.: **29/718,788**
(22) Filed: **Dec. 28, 2019**
(51) **LOC (13) Cl.** **06-04**
(52) **U.S. Cl.**
USPC **D6/642**; D34/21
(58) **Field of Classification Search**
USPC D6/641, 642, 657, 662, 662.1, 672, 675,
D6/684-686, 691, 698; D34/12, 14, 17,
D34/19, 21
CPC .. A47B 3/00; A47B 7/00; A47B 13/00; A47B
21/00; A47B 31/00; A47B 31/001; A47B
2031/003; A47B 37/00; A47B 43/00;
A47B 65/00; A47B 81/00; B25H 1/00;
B25H 1/12; B25H 1/14; B25H 3/00;
B25H 3/02; B25H 3/021; B25H 3/023;
B25H 3/027; B25H 3/028; B25H 3/04;
B25H 3/06
See application file for complete search history.

(56) **References Cited**
U.S. PATENT DOCUMENTS
414,065 A * 10/1889 Luft A47B 85/06
108/15
3,394,666 A 7/1968 Pearlman
D214,163 S * 5/1969 Smith A47B 67/04
D34/19
D235,790 S * 7/1975 Zimmers D6/673
D257,922 S * 1/1981 Andersson A47B 5/06
D6/561

5,263,424 A * 11/1993 Kelly A47B 13/16
108/91
D366,744 S 1/1996 Bailey
D390,381 S 2/1998 Dormon et al.
D423,254 S 4/2000 Alcala et al.
6,161,486 A * 12/2000 Boots A47B 5/06
108/33
D447,567 S 9/2001 Murphy et al.
D450,903 S 11/2001 Wacker et al.
D467,754 S 12/2002 Chen
D500,575 S 1/2005 Lucas
D501,285 S 1/2005 Long, Jr.
D523,607 S 6/2006 Huguet
D538,061 S 3/2007 Daniel
D546,017 S 7/2007 Wise
(Continued)

OTHER PUBLICATIONS

Rover Mobile Makerspace Tables with Stools by Haskell—
Worthing Direct <https://www.worthingtondirect.com/chairs/rover-mobile-makerspace-tables-with-stools-by-haskell.htm> retrieved from
the internet on Dec. 9, 2021.*

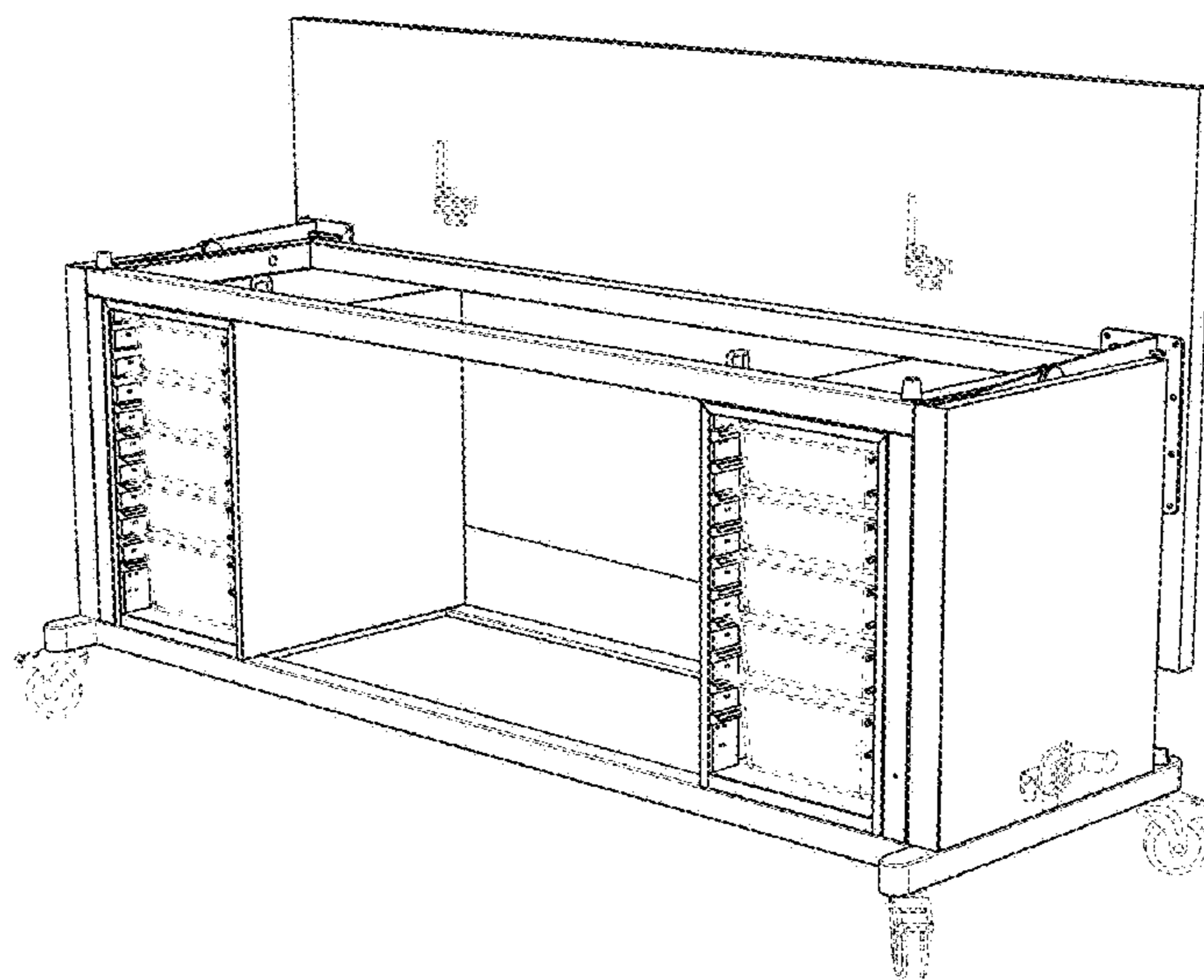
Primary Examiner — Mary Ann Calabrese
(74) *Attorney, Agent, or Firm* — Robert F. Zielinski

(57) **CLAIM**
I claim the ornamental design for a utility table, as shown
and described.

DESCRIPTION

FIG. 1 is a side, top perspective view of the utility table of
the present invention.
FIG. 2 is a front view thereof;
FIG. 3 is a rear view thereof;
FIG. 4 is a right-side view thereof;
FIG. 5 is a left-side view thereof;
FIG. 6 is a top view thereof; and,
FIG. 7 is a bottom view thereof.
The broken lines showing portions of the design form no
part of the claimed invention.

1 Claim, 7 Drawing Sheets



(56)

References Cited

U.S. PATENT DOCUMENTS

D551,465	S	9/2007	Daniel	
D557,870	S	12/2007	MacMillan	
D585,621	S	1/2009	Taillon	
D588,322	S	3/2009	Tilk et al.	
D593,341	S	6/2009	Sackman	
D618,418	S	6/2010	Catron et al.	
D618,419	S	6/2010	Catron et al.	
D636,962	S	4/2011	Freimuth	
D665,597	S	8/2012	Dufoure et al.	
D710,064	S	7/2014	Schumaker et al.	
D732,318	S	6/2015	Engbretson	
D783,921	S	4/2017	Malengo	
D801,735	S	11/2017	Ursell et al.	
D817,584	S	5/2018	Phillips et al.	
D906,028	S *	12/2020	Chiao	D6/684
2007/0236113	A1 *	10/2007	McCambridge	E06B 3/367 312/204
2020/0254604	A1 *	8/2020	Adams	A47B 67/04

* cited by examiner

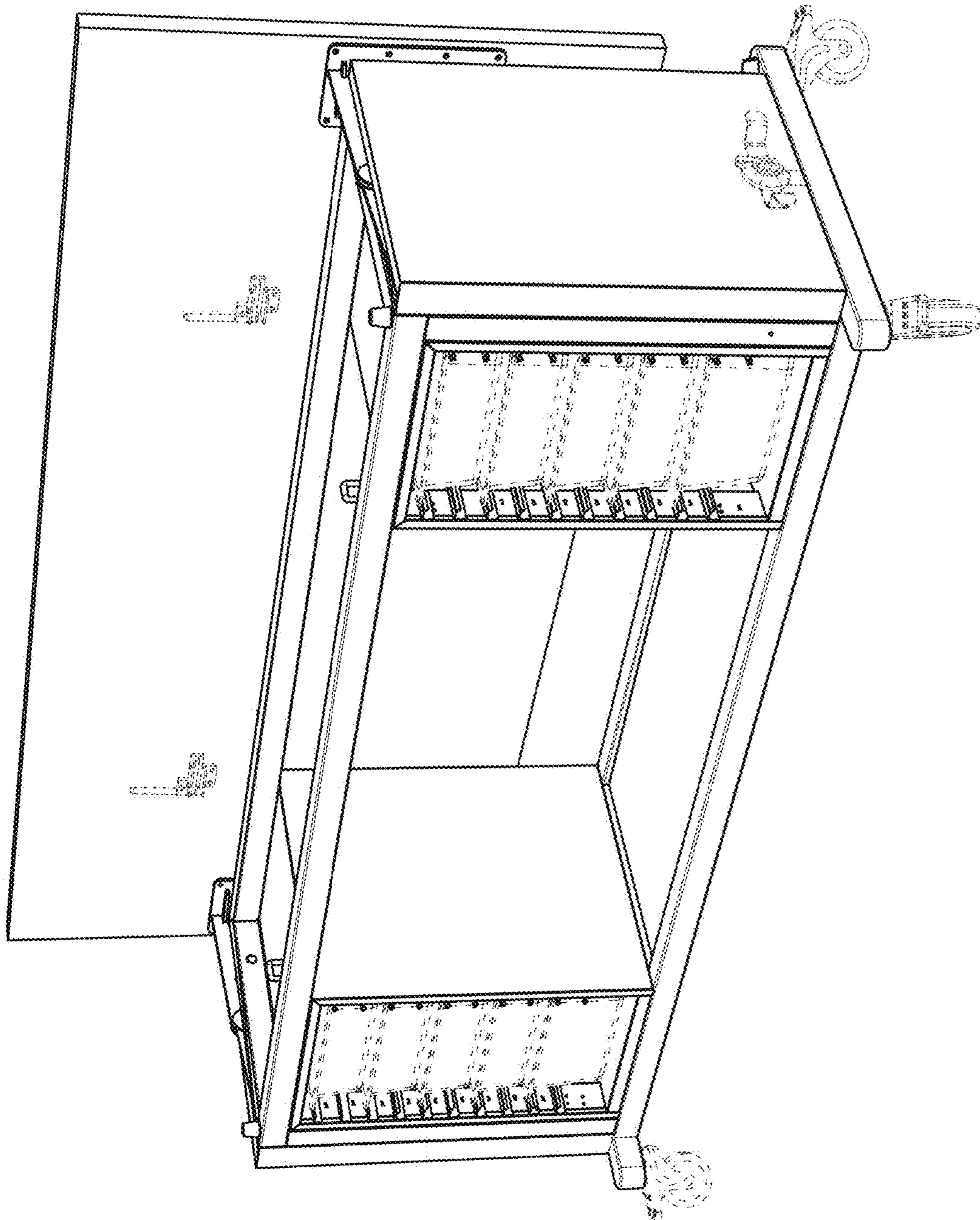


FIG. 1

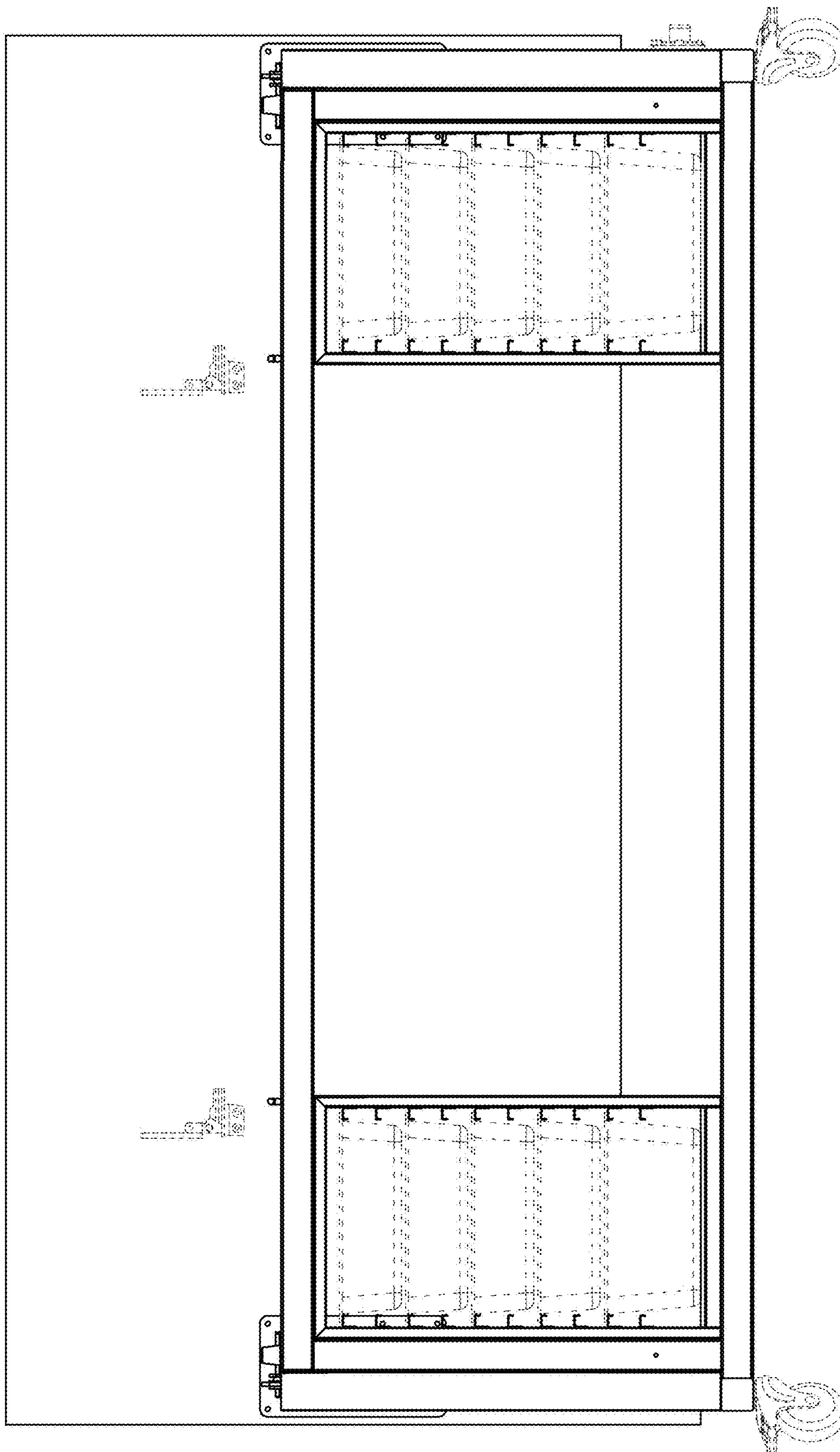


FIG. 2

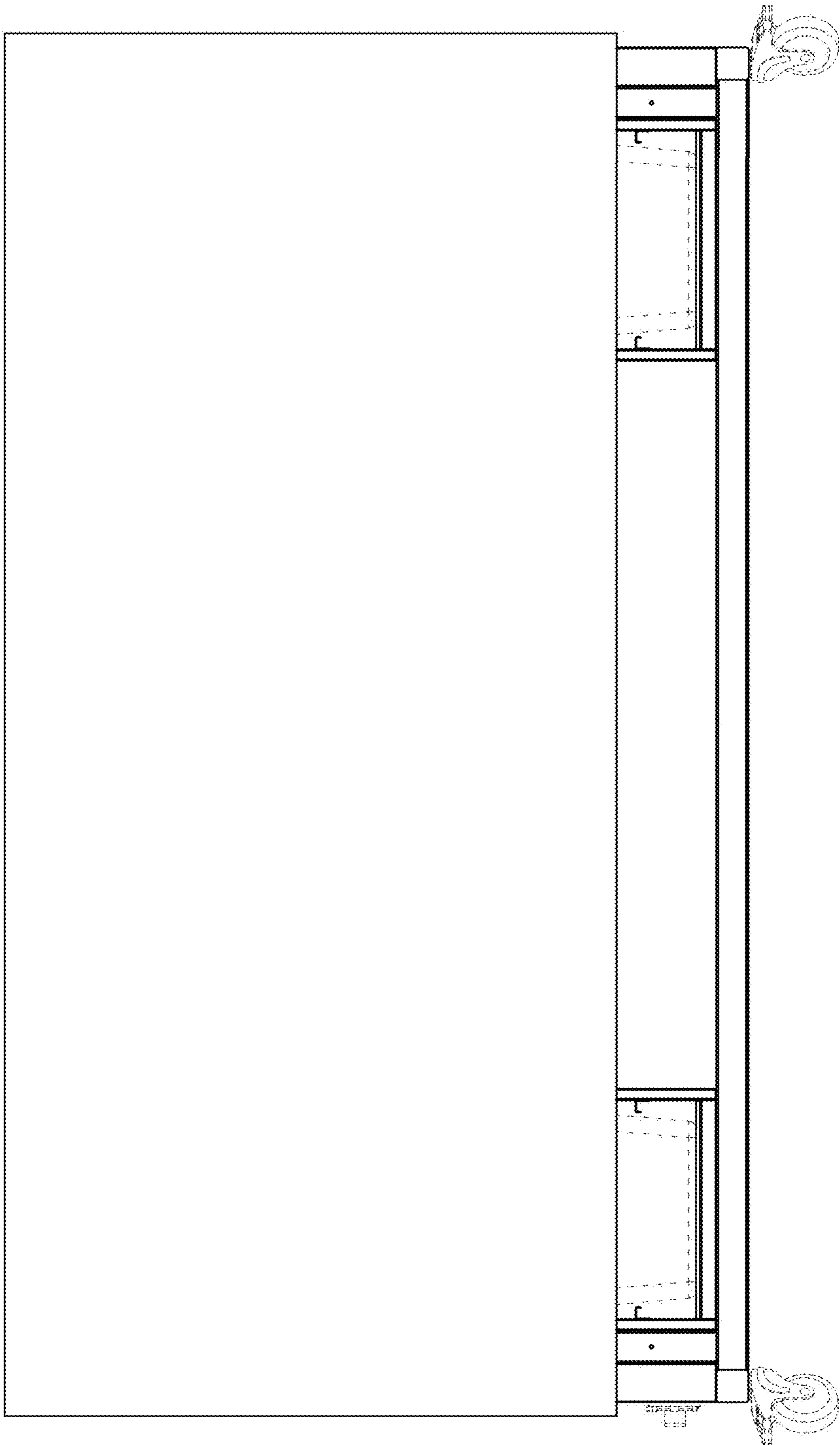


FIG. 3

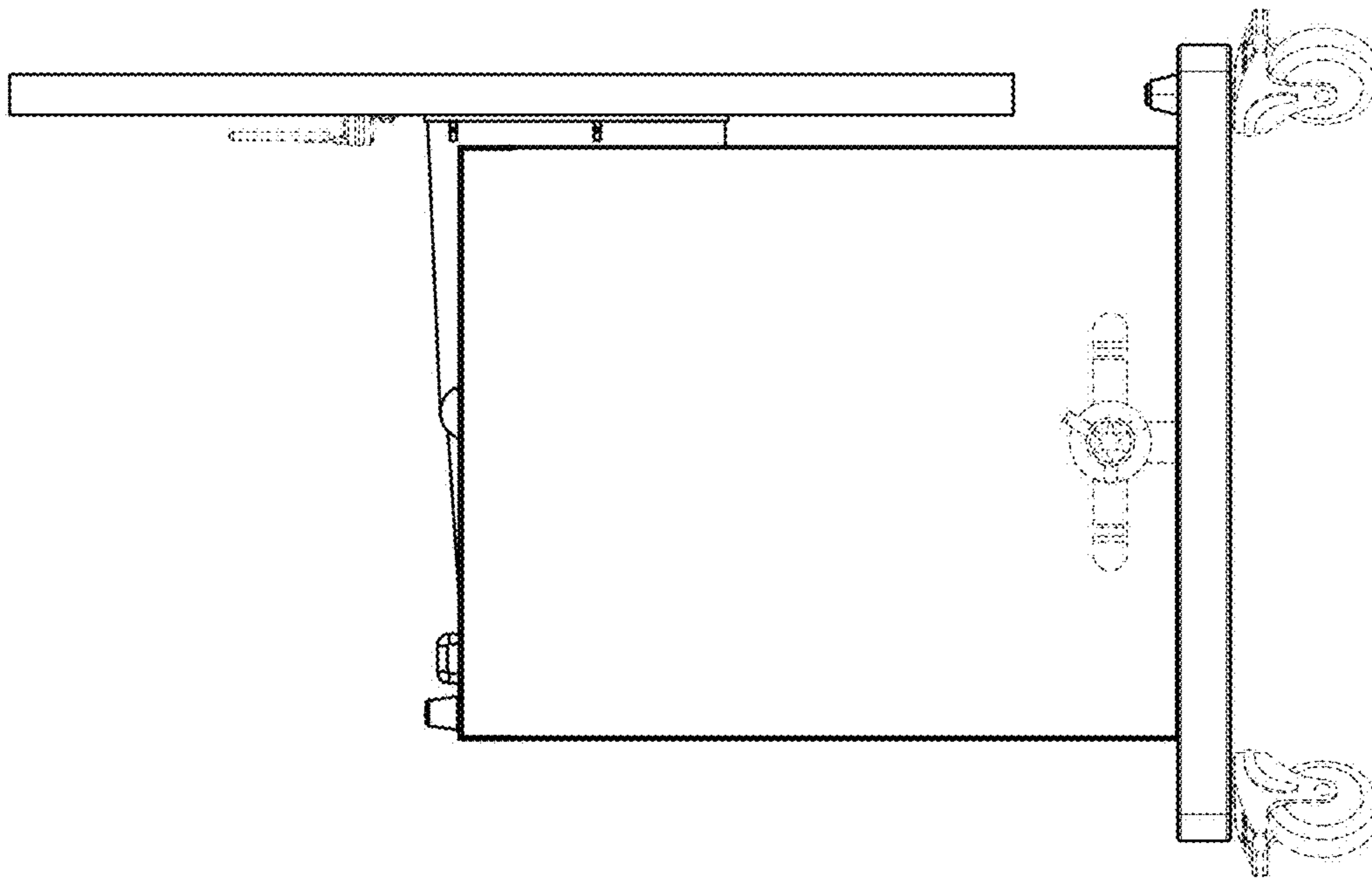


FIG. 4

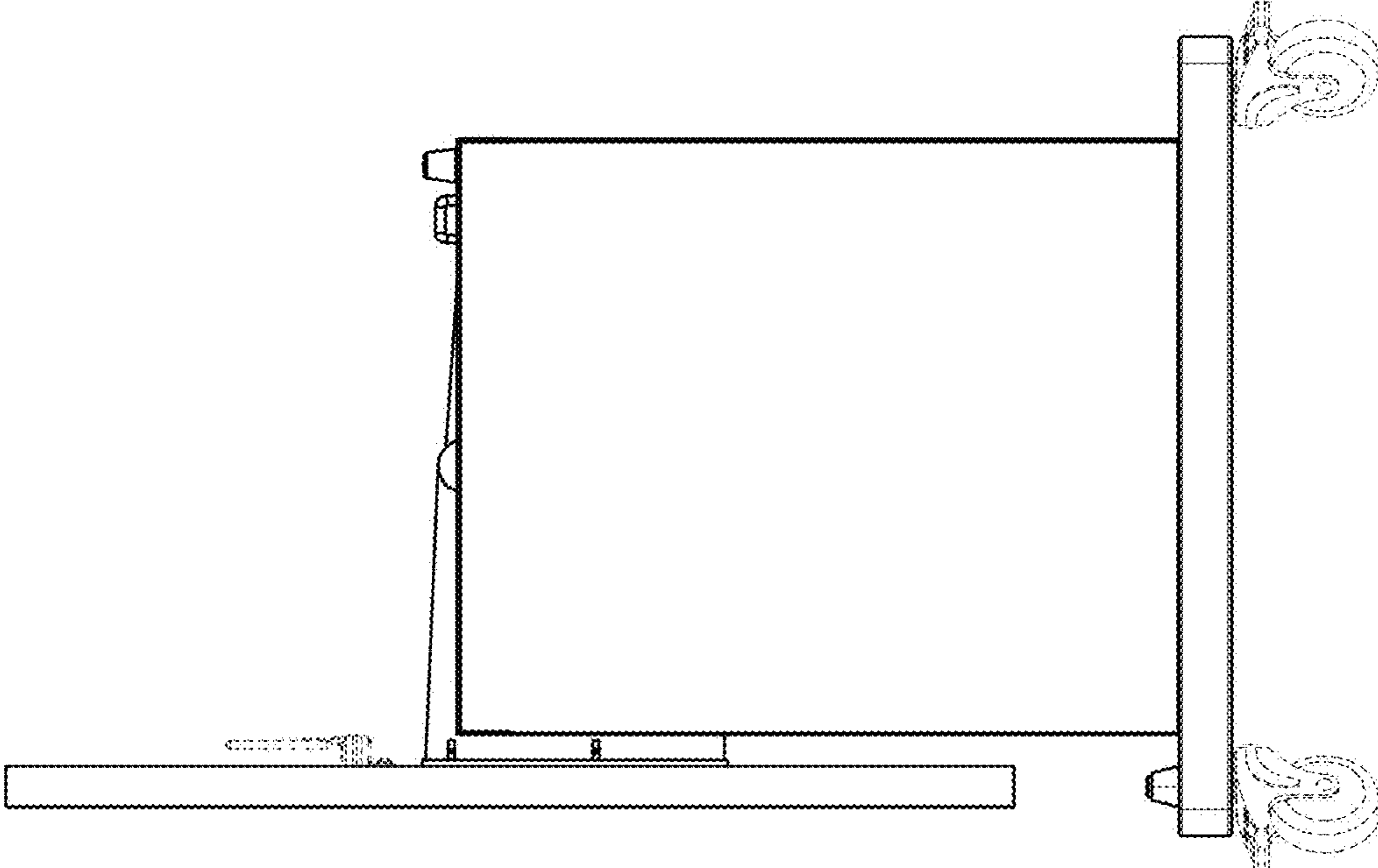


FIG. 5

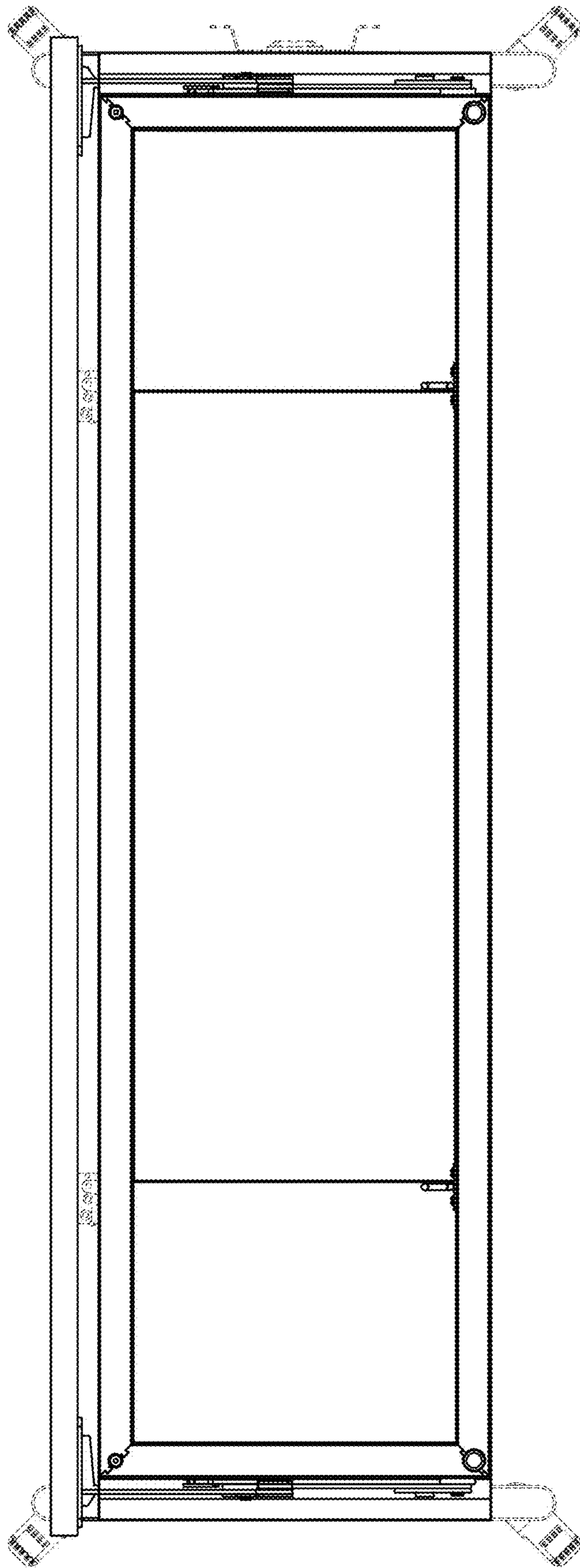


FIG. 6

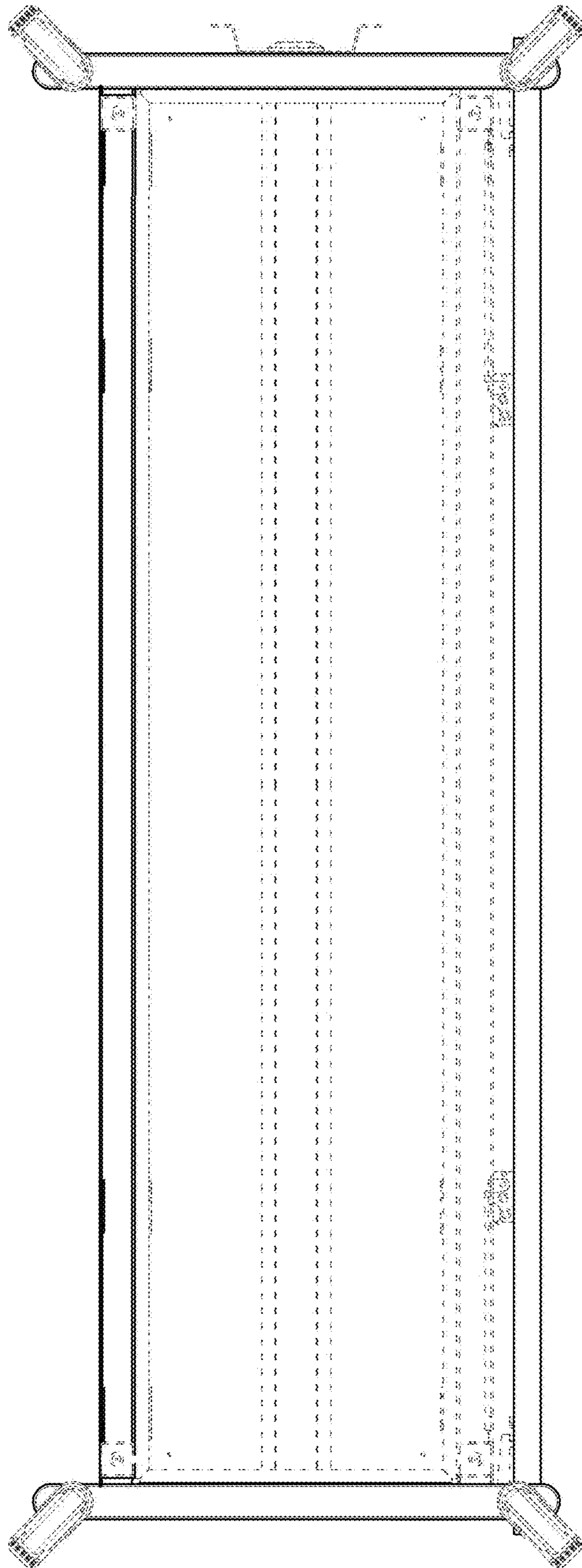


FIG. 7