



US00D961296S

(12) **United States Design Patent** (10) **Patent No.:** **US D961,296 S**  
**Chen** (45) **Date of Patent:** **\*\* Aug. 23, 2022**

(54) **PILLOW**  
(71) Applicant: **Yuyan Chen**, Yancheng (CN)  
(72) Inventor: **Yuyan Chen**, Yancheng (CN)  
(\*\*) Term: **15 Years**

D529,746 S \* 10/2006 Soleymani ..... D6/601  
D541,696 S \* 5/2007 Chan ..... D11/157  
7,322,062 B1 \* 1/2008 Matthews ..... A47G 9/10  
5/636  
D577,385 S \* 9/2008 Sand ..... D19/91  
D588,327 S \* 3/2009 Risko ..... D1/112  
D612,654 S \* 3/2010 Eura ..... D6/601

(Continued)

(21) Appl. No.: **29/781,840**  
(22) Filed: **Apr. 30, 2021**  
(51) **LOC (13) Cl.** ..... **06-09**  
(52) **U.S. Cl.**  
USPC ..... **D6/601**  
(58) **Field of Classification Search**  
USPC ..... D6/595, 596, 601, 604, 605, 606, 607,  
D6/608, 609; 5/413 AM, 690, 706, 961,  
5/716, 717, 718, 721, 495, 496, 497, 498,  
5/499, 490, 491  
CPC ..... A47C 19/00; A47C 23/00; A47C 21/026;  
A47C 27/00; A47C 27/06; A47C 27/08;  
A47C 27/081; A47C 27/082; A47G 9/10;  
A47G 9/1009; A47G 9/1027; A47G  
9/1045; A47G 9/1063; A47G 9/1072;  
A47G 9/1081  
See application file for complete search history.

**FOREIGN PATENT DOCUMENTS**

CN 306409182 \* 3/2021  
GB 6111682 \* 1/2021

(Continued)

**OTHER PUBLICATIONS**

Contour Legacy Leg & Knee Pillow, earliest pictured review date Mar. 21, 2020, [online], [site visited Apr. 7, 2022]. Available from Internet, <URL: [https://www.amazon.com/Contour-Legacy-Support-Sciatica-Pressure/dp/B07MFN8FRT/ref=sr\\_1\\_6?crd=28V2NWKAPDXEP&keywords=knee%2Bwedge%2Bpillow&qid=1649292580&sprefix=knee%2Bwedge%2Bpillow%2Caps%2C92&sr=8-6&th=1](https://www.amazon.com/Contour-Legacy-Support-Sciatica-Pressure/dp/B07MFN8FRT/ref=sr_1_6?crd=28V2NWKAPDXEP&keywords=knee%2Bwedge%2Bpillow&qid=1649292580&sprefix=knee%2Bwedge%2Bpillow%2Caps%2C92&sr=8-6&th=1)> (Year: 2020).\*

(Continued)

*Primary Examiner* — Sanjeev Paul

(56) **References Cited**

**U.S. PATENT DOCUMENTS**

4,929,025 A \* 5/1990 Lu ..... A47C 3/16  
297/DIG. 2  
D318,440 S \* 7/1991 Williams ..... D6/601  
D346,807 S \* 5/1994 Ireland-Benitez ..... D14/251  
D395,372 S \* 6/1998 Simpson ..... D6/611  
D400,041 S \* 10/1998 Selner ..... D1/112  
D414,367 S \* 9/1999 Esseltine ..... D6/601  
D448,477 S \* 9/2001 Bartle ..... D24/208  
D465,958 S \* 11/2002 Scansetti ..... D6/601  
D473,413 S \* 4/2003 Huang ..... D6/601  
D516,854 S \* 3/2006 Emoff ..... D6/599  
D521,320 S \* 5/2006 Ray ..... D7/579  
D526,571 S \* 8/2006 Terrasi ..... D9/629

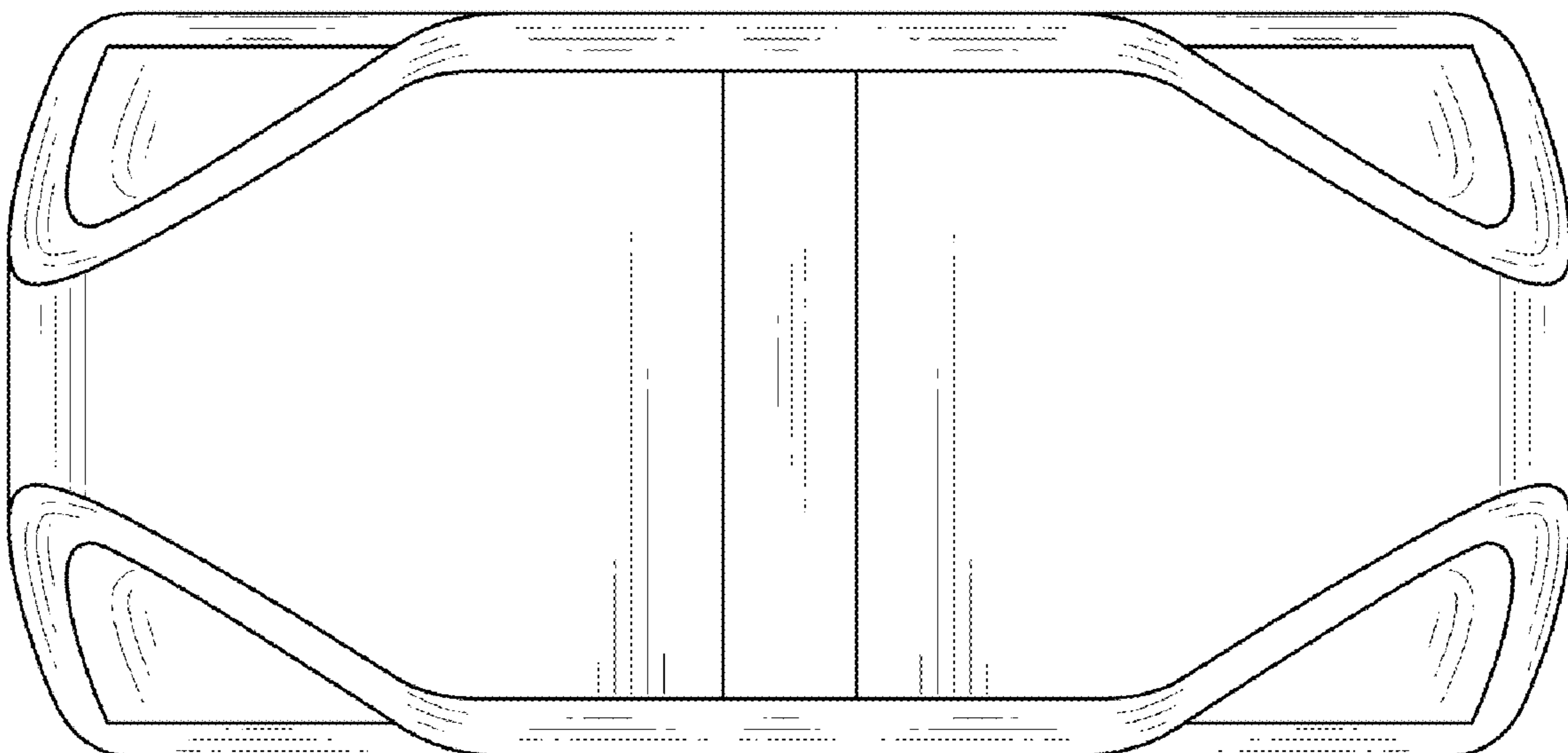
(57) **CLAIM**

The ornamental design for a pillow, as shown and described.

**DESCRIPTION**

FIG. 1 is a front view of a pillow showing my new design; FIG. 2 is a back view thereof; FIG. 3 is a left side view thereof; FIG. 4 is a right side view thereof; FIG. 5 is a top plan view thereof; FIG. 6 is a bottom plan view thereof; FIG. 7 is a perspective view thereof; and, FIG. 8 is another perspective view thereof.

**1 Claim, 8 Drawing Sheets**



(56)

References Cited

U.S. PATENT DOCUMENTS

D637,440 S 5/2011 Mettler  
 D687,206 S \* 8/2013 Smith ..... D1/112  
 D702,059 S \* 4/2014 Farace ..... D6/601  
 D709,303 S 7/2014 Velasco  
 D727,662 S \* 4/2015 Lazaroff ..... D6/599  
 D753,415 S \* 4/2016 Atawane ..... D6/601  
 D758,134 S \* 6/2016 Magri ..... D7/567  
 D758,848 S \* 6/2016 Buogo ..... D9/429  
 D762,401 S \* 8/2016 Oaknin ..... D6/674  
 D790,251 S \* 6/2017 Stokes ..... D6/597  
 D819,366 S \* 6/2018 Rozsa ..... D6/597  
 D898,444 S \* 10/2020 Chen ..... D6/601  
 D899,011 S \* 10/2020 Omelchenko ..... D30/121  
 D899,136 S \* 10/2020 Knowles ..... D21/627  
 D906,729 S \* 1/2021 Willard ..... D6/597  
 D929,769 S \* 9/2021 Chen ..... D6/597  
 D930,401 S \* 9/2021 Ye ..... D6/601  
 2009/0307846 A1 \* 12/2009 Eura ..... A47G 9/10  
 5/636

FOREIGN PATENT DOCUMENTS

GB 6128471 \* 4/2021  
 GB 6137524 \* 5/2021  
 GB 6181346 \* 12/2021

OTHER PUBLICATIONS

Google image search: 'knee wedge pillow' <URL: [https://www.google.com/search?q=knee+wedge+pillow&sxsrf=APq-WBurkA2VhbqpdXvd71uEo1\\_hM1fIRA:1649545072669&source=lnms&tbm=isch&sa=X&ved=2ahUKEwiDquOgioj3AhXSI3IEHYJECA8Q\\_AUoAnoECAEQBA&biw=1200&bih=1777&dpr=1](https://www.google.com/search?q=knee+wedge+pillow&sxsrf=APq-WBurkA2VhbqpdXvd71uEo1_hM1fIRA:1649545072669&source=lnms&tbm=isch&sa=X&ved=2ahUKEwiDquOgioj3AhXSI3IEHYJECA8Q_AUoAnoECAEQBA&biw=1200&bih=1777&dpr=1)> (Year: 2022).\*

Google image search: 'heart pillow' <URL: [https://www.google.com/search?q=heart+pillow&sxsrf=APq-WBtF2hmlWNcvLCY6PNC0ny7eulfw2Q:1649545258773&source=lnms&tbm=isch&sa=X&ved=2ahUKEwjwrcL5ioj3AhWOHxIEHbGhCdcQ\\_AUoAnoECAEQBA&biw=1200&bih=1777&dpr=1](https://www.google.com/search?q=heart+pillow&sxsrf=APq-WBtF2hmlWNcvLCY6PNC0ny7eulfw2Q:1649545258773&source=lnms&tbm=isch&sa=X&ved=2ahUKEwjwrcL5ioj3AhWOHxIEHbGhCdcQ_AUoAnoECAEQBA&biw=1200&bih=1777&dpr=1)> (Year: 2022).\*

\* cited by examiner

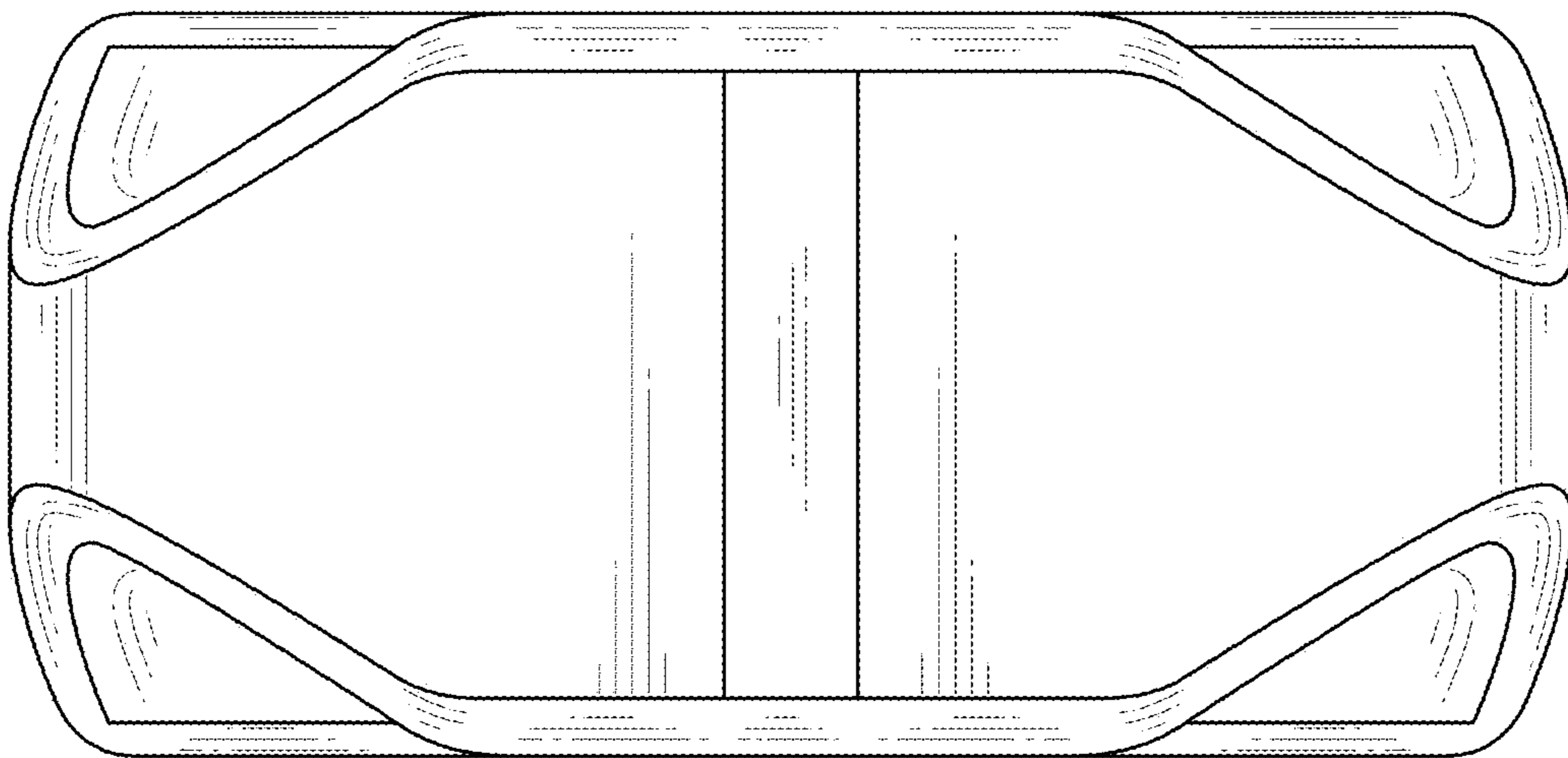


FIG. 1

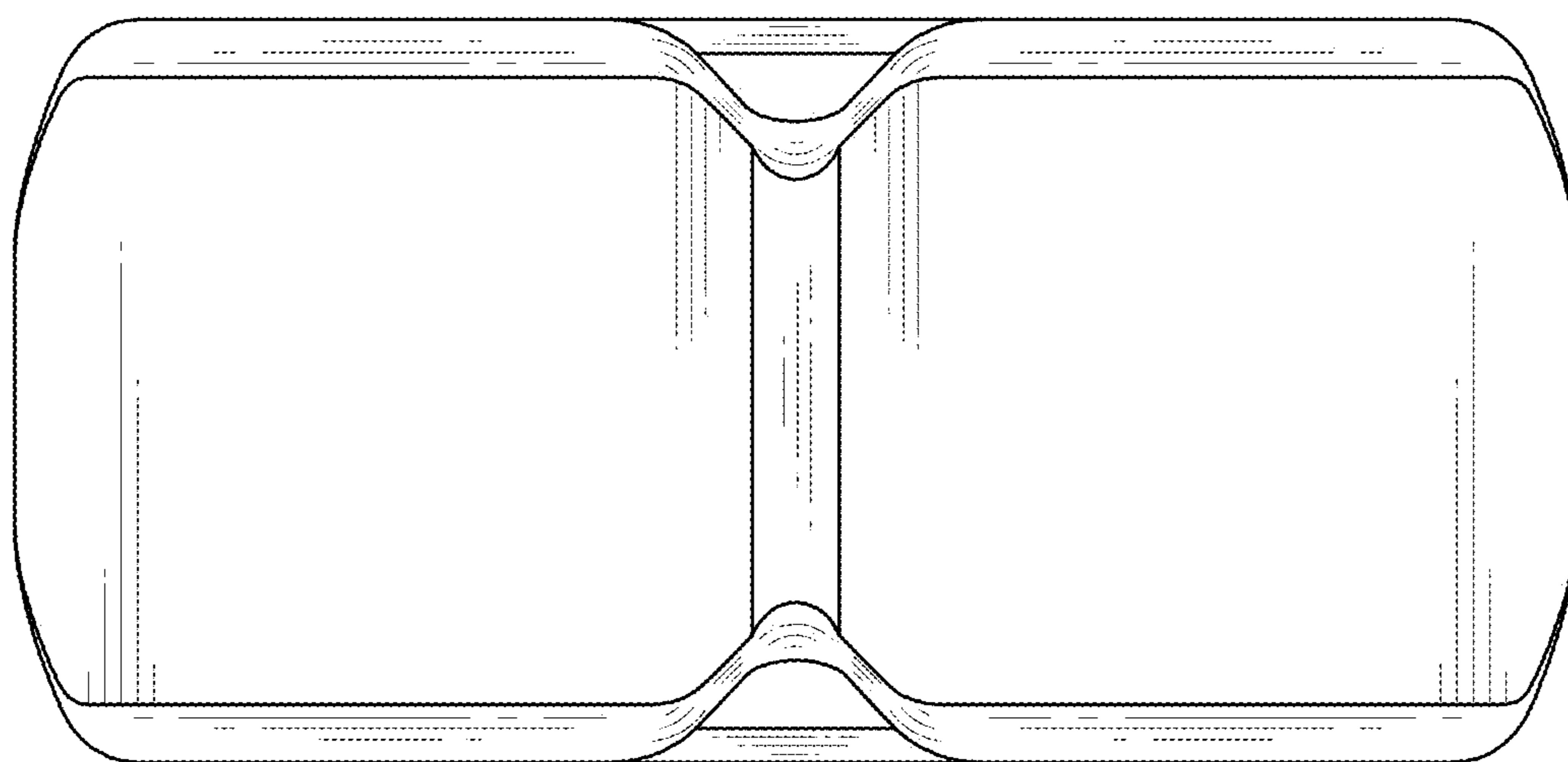


FIG. 2

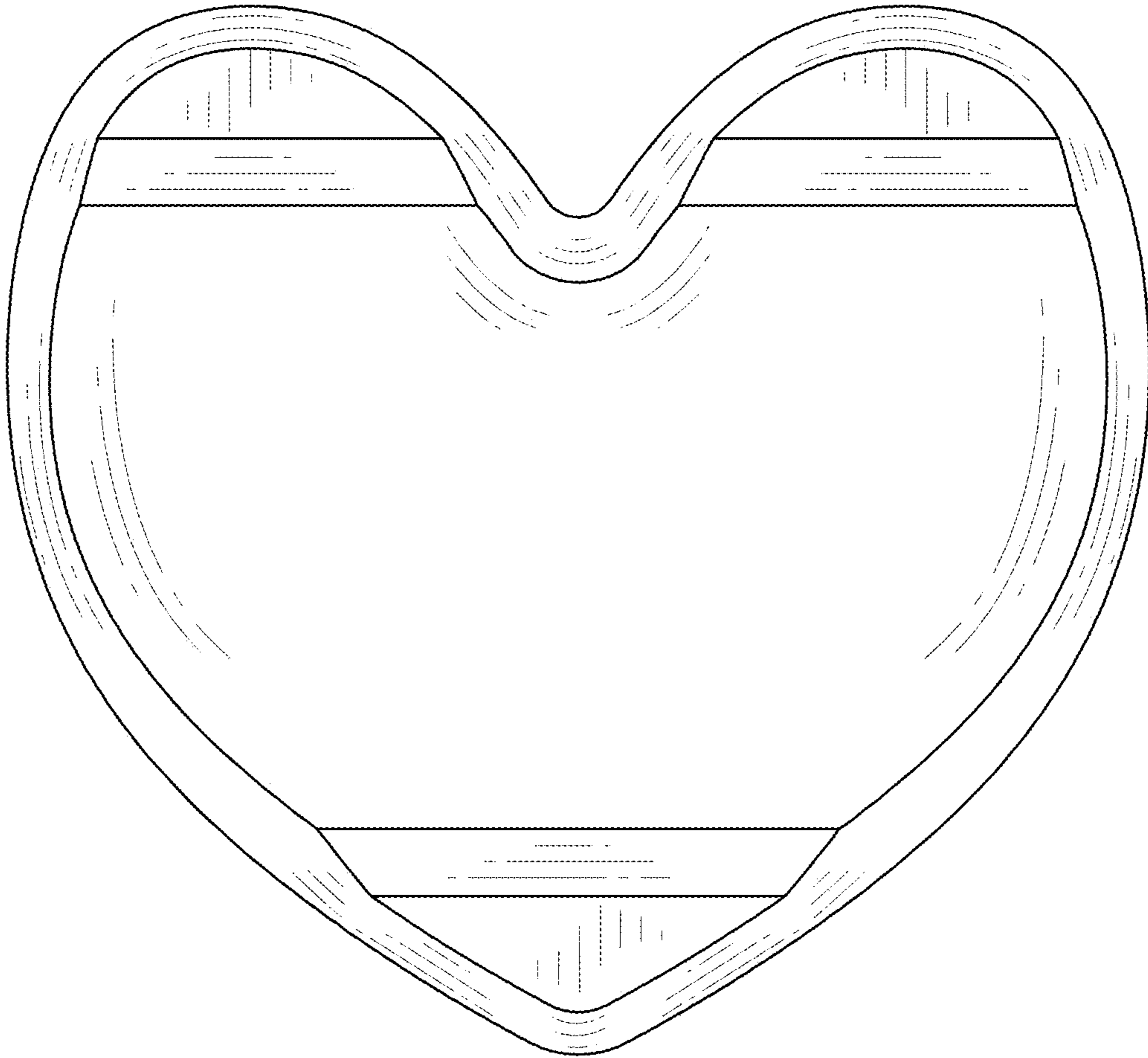


FIG. 3

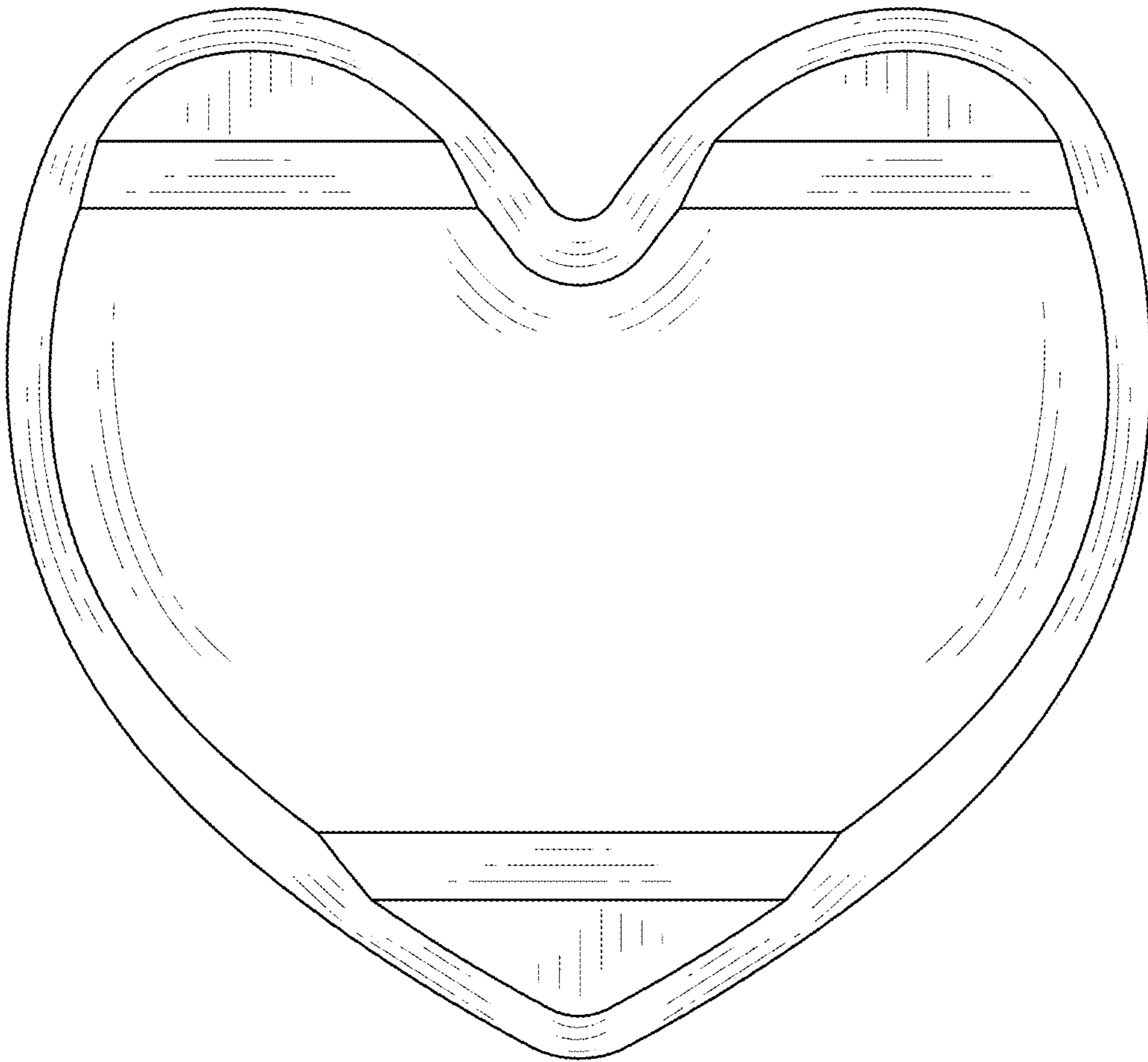


FIG. 4

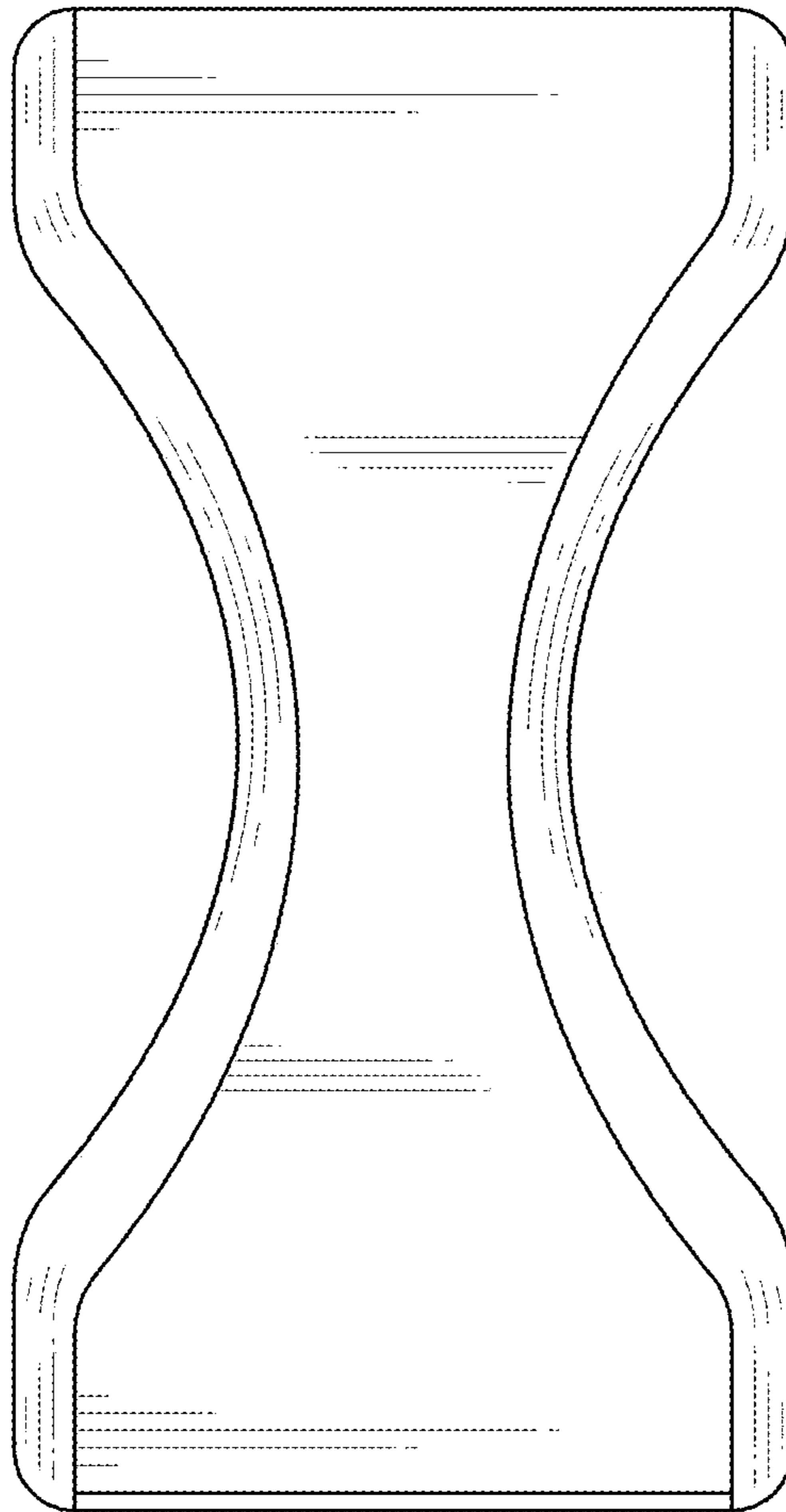


FIG. 5

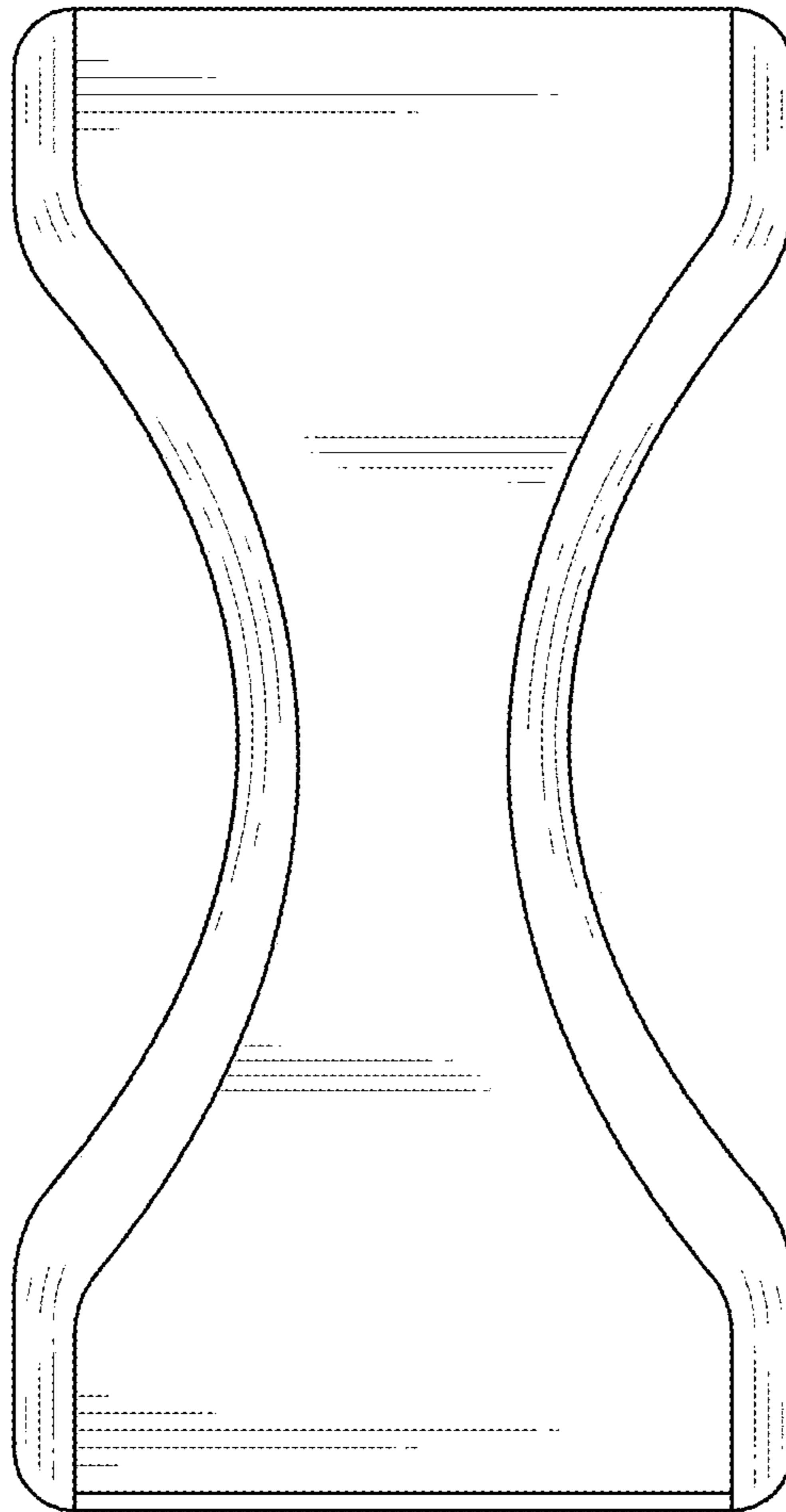


FIG. 6



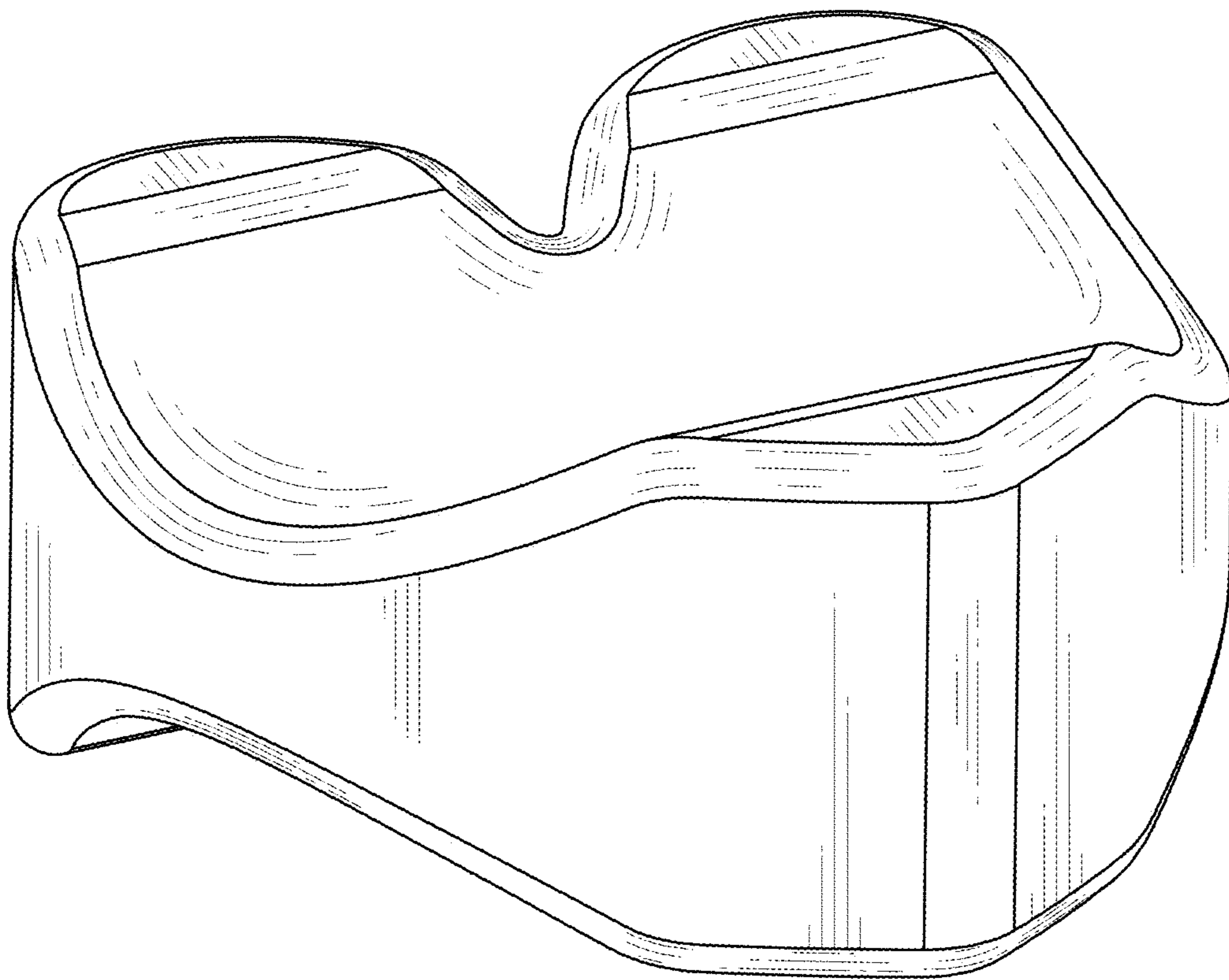


FIG. 7

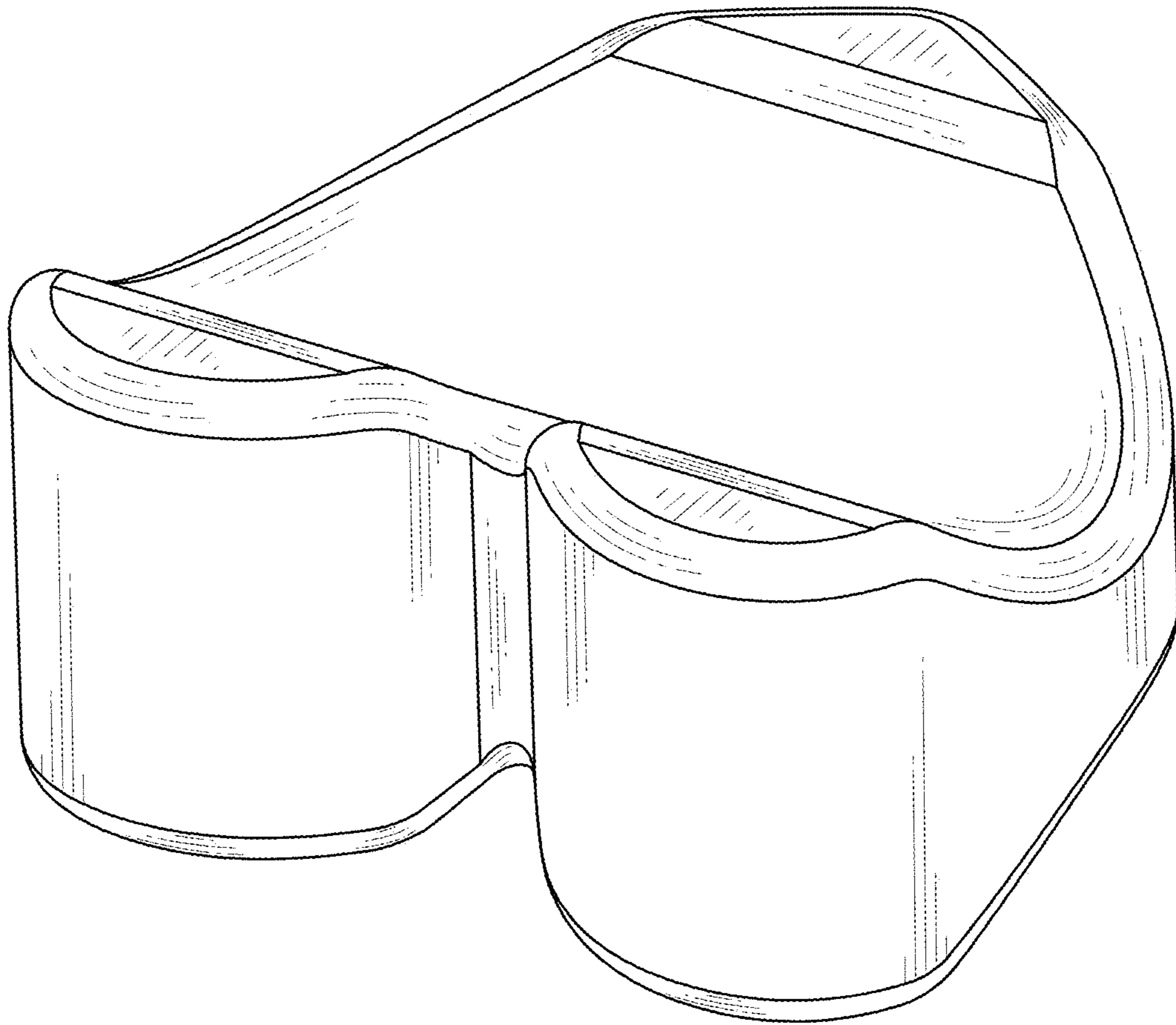


FIG. 8