



US00D961295S

(12) **United States Design Patent** (10) **Patent No.:** **US D961,295 S**
Rubin et al. (45) **Date of Patent:** **** Aug. 23, 2022**

- (54) **RUSTIC MAIL ORGANIZER WITH CHALKBOARD SURFACE**
- (71) Applicant: **RK VENTURES INC.**, Vancouver (CA)
- (72) Inventors: **Yuriy Rubin**, Vancouver (CA); **Kostiantyn Kyrylov**, Coquitlam (CA)
- (73) Assignee: **RK VENTURES INC.**, Vancouver (CA)
- (**) Term: **15 Years**
- (21) Appl. No.: **29/775,412**
- (22) Filed: **Mar. 23, 2021**
- (51) **LOC (13) Cl.** **06-04**
- (52) **U.S. Cl.**
USPC **D6/567**
- (58) **Field of Classification Search**
USPC D3/297, 298, 306, 310; D6/567, 573, D6/571, 671.1, 672, 675, 675.4, 682, 683, D6/683.1, 553, 566, 675.2, 675.5; D7/601, 631, 634; D19/90-92, 75, D19/77-80, 86-87
CPC .. B43M 99/00; B43M 99/001; B43M 99/007; B43M 99/008; B43M 99/009
See application file for complete search history.

D712,679 S *	9/2014	Collins	D6/569
D875,832 S *	2/2020	Chiang	D19/113
D901,933 S *	11/2020	Chiang	D6/553
D905,467 S *	12/2020	Rubin	D6/570
D906,423 S *	12/2020	Lai	D19/90
D907,944 S *	1/2021	Chiang	D6/672
D935,249 S *	11/2021	Liu	D6/571

OTHER PUBLICATIONS

Amazon.com, Rustic 1—Slot Mail Sorter Organizer for Wall with Chalkboard Surface & 4 Double Key Hooks, Jun. 15, 2020, <https://www.amazon.com/1-Slot-Mail-Holder-Brown/dp/B08B64J4XN/> (Year: 2020).*

Amazon.com, Rustic—2-Slot Mail Sorter Organizer for Wall with Chalkboard Surface & 3 Double Key Hooks, Aug. 19, 2020, <https://www.amazon.com/dp/B08G8XMZB6/> (Year: 2020).*

* cited by examiner

Primary Examiner — Nathan M Johnston
(74) *Attorney, Agent, or Firm* — Pete Adams Law, PLLC

(57) **CLAIM**

The ornamental design for a rustic mail organizer with chalkboard surface, as shown and described.

DESCRIPTION

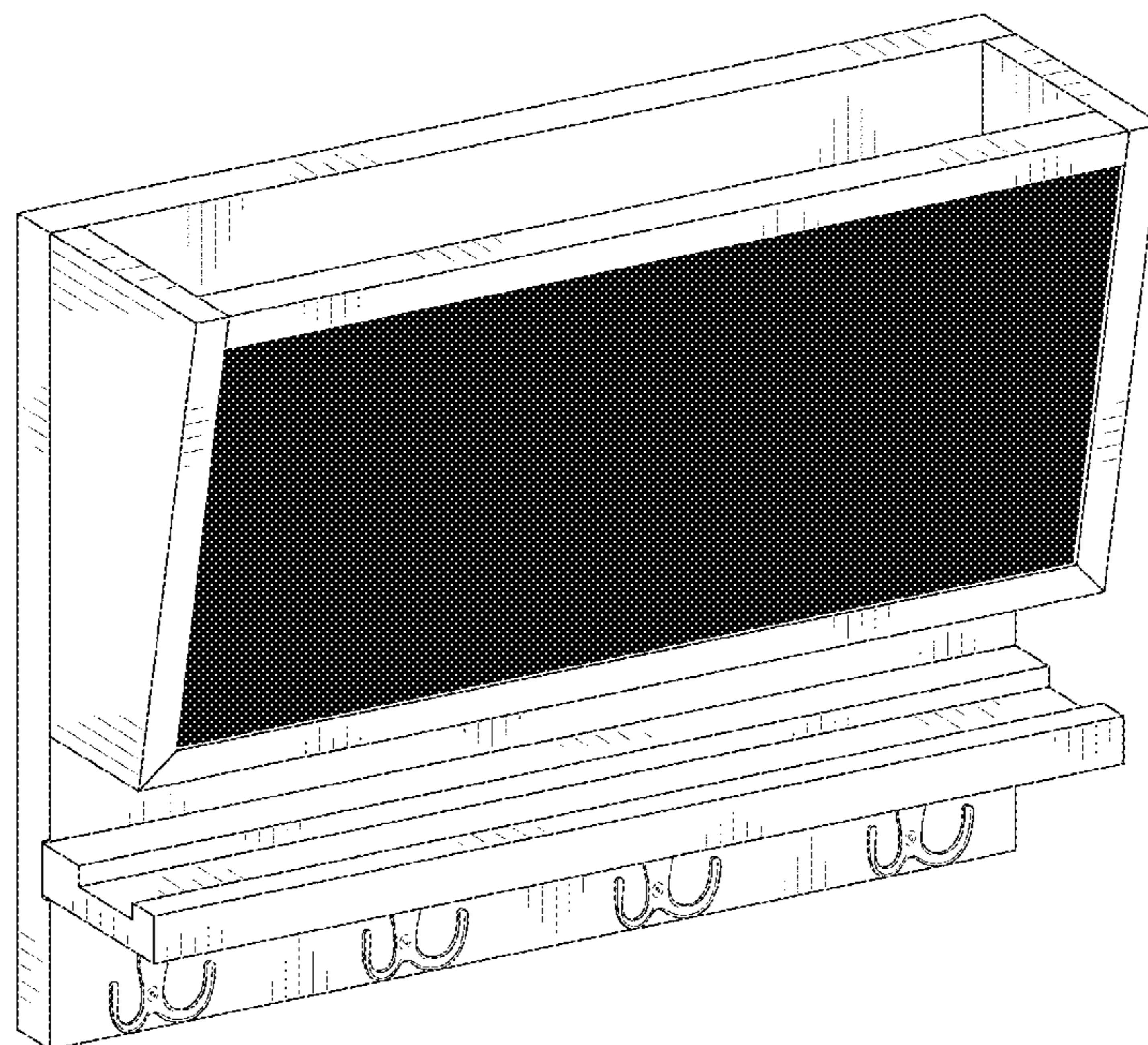
FIG. 1 is a perspective view of the rustic mail organizer with chalkboard surface;
FIG. 2 is a front view therein;
FIG. 3 is a rear view therein;
FIG. 4 is a right side view therein;
FIG. 5 is a left side view therein;
FIG. 6 is a top view therein; and,
FIG. 7 is a bottom view therein.
The fasteners shown in broken lines in FIGS. 1-3 represent unclaimed environmental subject matter and form no part of the claimed design.

1 Claim, 5 Drawing Sheets

(56) **References Cited**

U.S. PATENT DOCUMENTS

D176,253 S *	12/1955	Freed	D6/568
D267,608 S *	1/1983	Brescia	D19/113
D267,842 S *	2/1983	Brescia	D6/570
D278,493 S *	4/1985	Brescia	D6/570
D390,263 S *	2/1998	Jack	D20/19
D673,404 S *	1/2013	Grandidier	D6/569



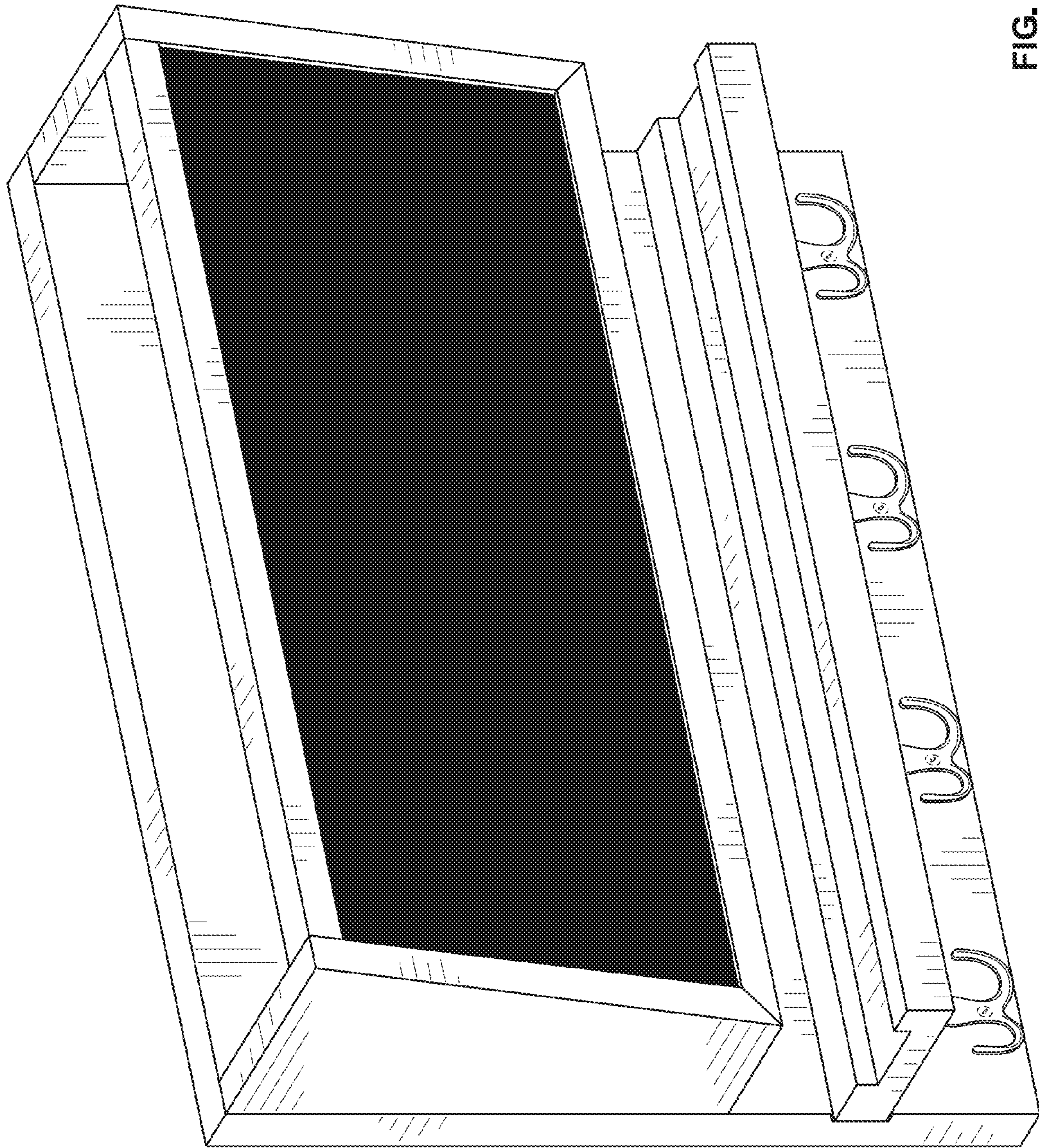


FIG. 1

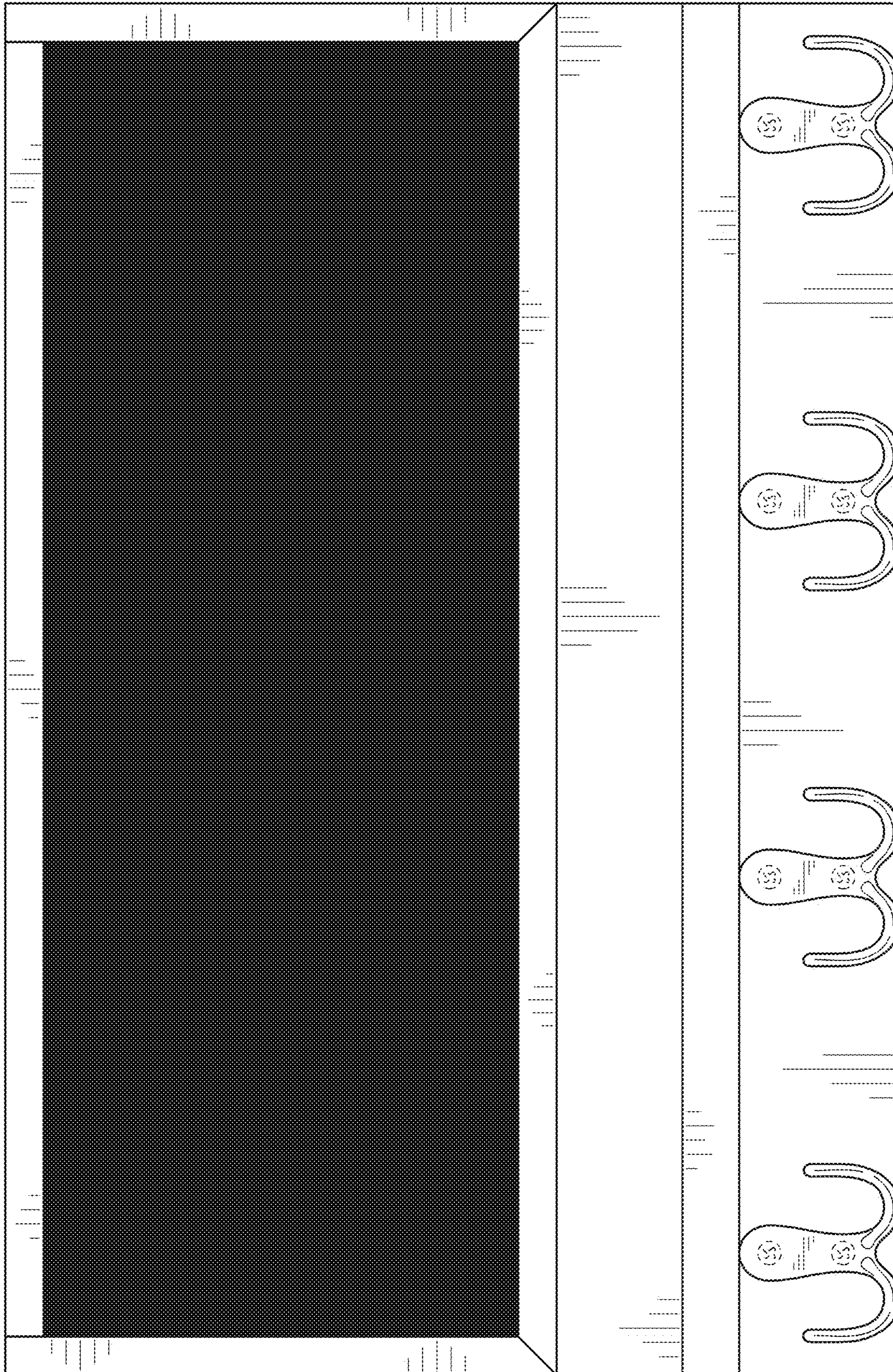


FIG. 2

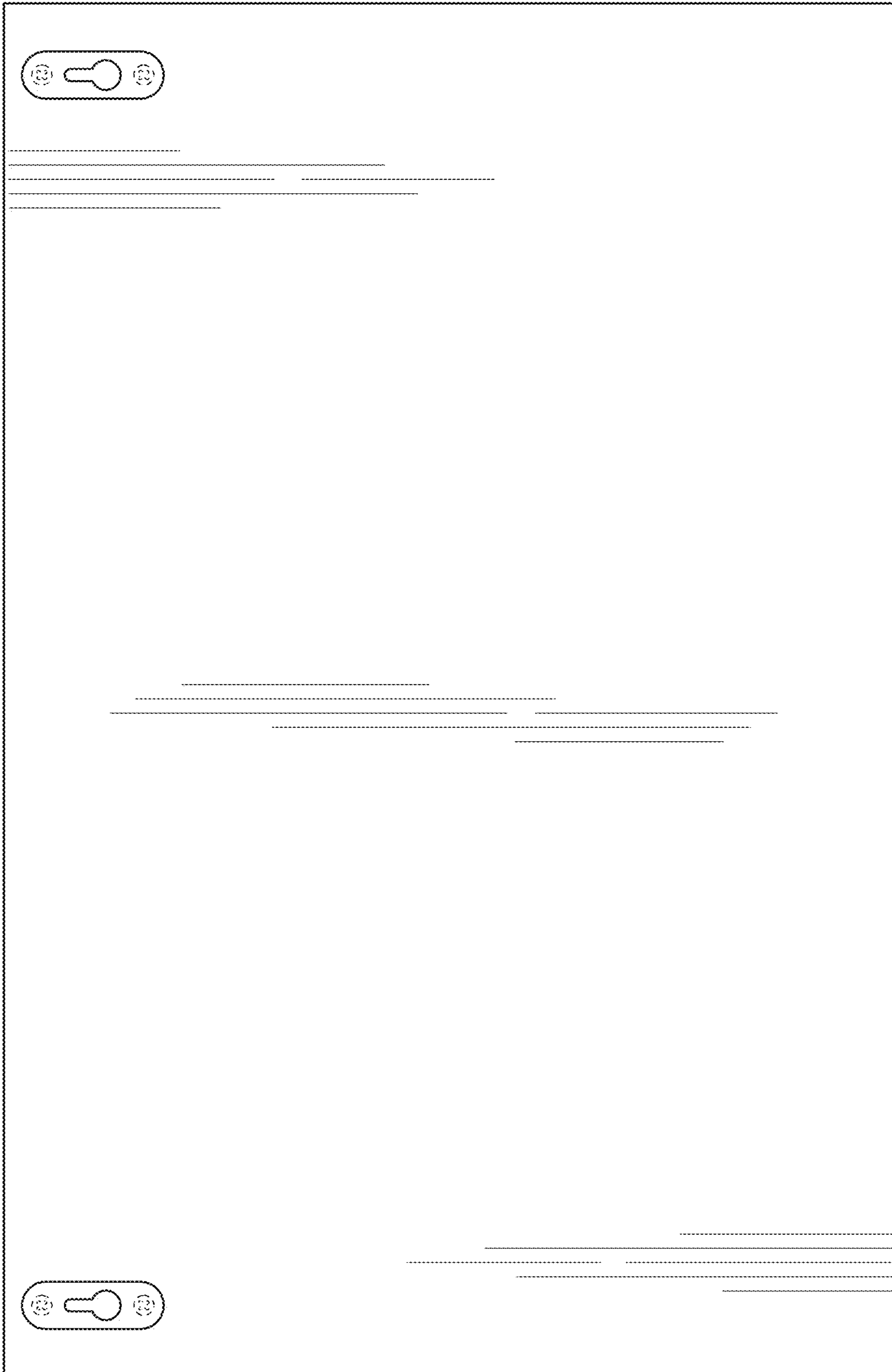


FIG. 3

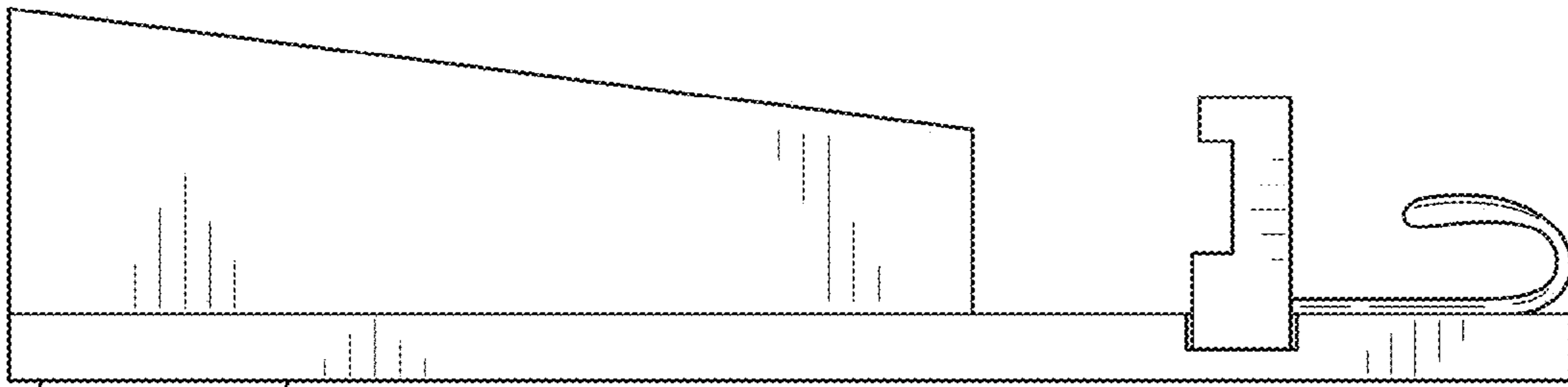


FIG. 5

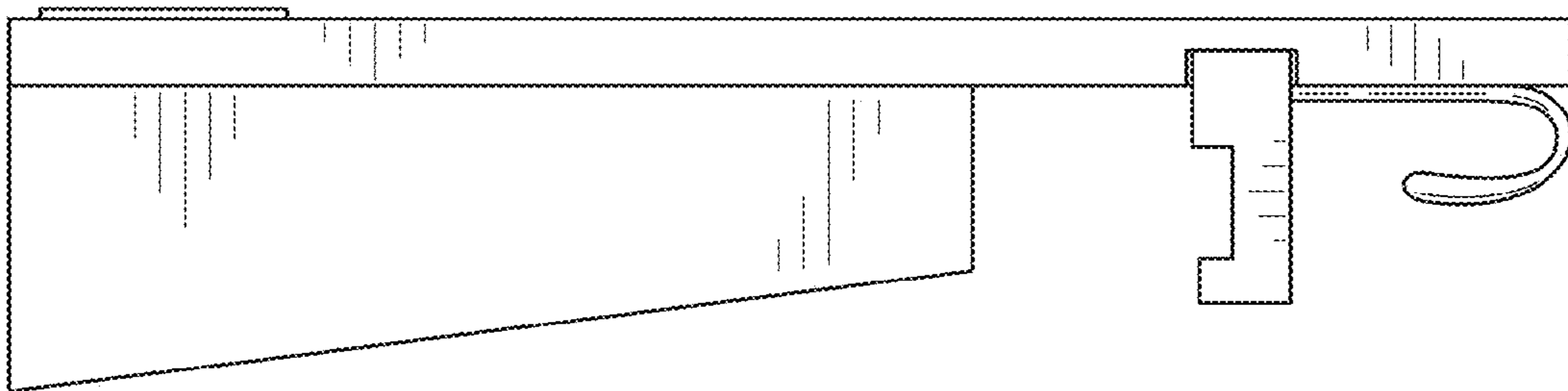


FIG. 4

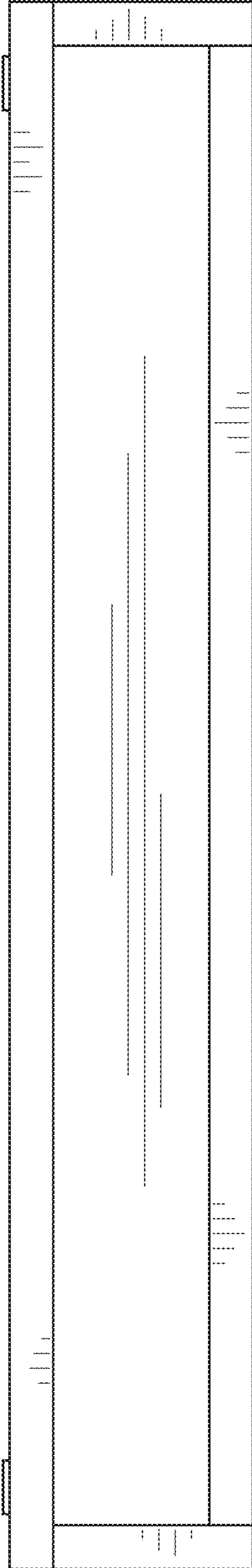


FIG. 6

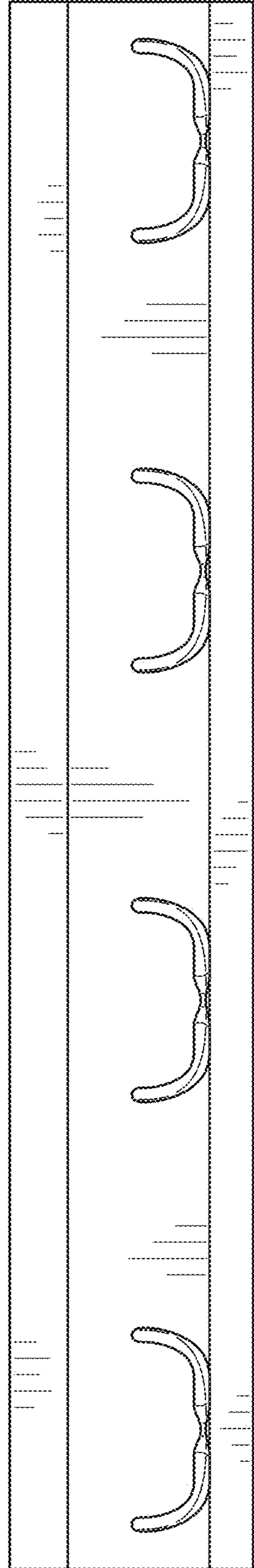


FIG. 7