



US00D961294S

(12) **United States Design Patent**
Mai

(10) **Patent No.:** **US D961,294 S**

(45) **Date of Patent:** **** Aug. 23, 2022**

(54) **SHELF**

FOREIGN PATENT DOCUMENTS

(71) Applicant: **Kefeng Mai**, Hong Kong (CN)

CN 306227541 * 12/2020

(72) Inventor: **Kefeng Mai**, Hong Kong (CN)

OTHER PUBLICATIONS

(**) Term: **15 Years**

KES Glass Corner Shelf with Aluminum Rail and Towel Bar, available in Amazon.co.uk, date first available May 4, 2015 [online], Retrieved on May 11, 2022 from URL: <https://www.amazon.co.uk/KES-Aluminum-Tempered-Bathroom-A4123A/dp/B00J3ERIVS> (Year: 2015).*

(21) Appl. No.: **29/743,764**

(22) Filed: **Jul. 24, 2020**

(51) **LOC (13) Cl.** **08-08**

(52) **U.S. Cl.**

USPC **D6/562**

(58) **Field of Classification Search**

USPC D6/553, 562, 567, 571, 572, 573, 574, D6/524

CPC A47B 5/02; A47B 81/002; F16B 12/50

See application file for complete search history.

* cited by examiner

Primary Examiner — Vy N Koenig

Assistant Examiner — Michelle M Reeves

(74) *Attorney, Agent, or Firm* — Bayramoglu Law Offices LLC

(56) **References Cited**

(57) **CLAIM**

U.S. PATENT DOCUMENTS

The ornamental design for a shelf, as shown and described.

1,654,409 A * 12/1927 Browne A47B 81/002
108/29

2,522,442 A * 9/1950 Garris A47B 81/002
211/186

2,657,811 A * 11/1953 Isler A47B 5/02
312/238

2,828,044 A * 3/1958 Reiss F16B 12/50
211/90.01

2,873,035 A * 2/1959 Unis F16B 12/50
248/188

2,929,276 A * 3/1960 Hahn F16B 12/50
408/103

D313,720 S * 1/1991 Sorenson D6/562

D364,527 S * 11/1995 Moon D6/562

D603,638 S * 11/2009 Murphy D6/562

D635,809 S * 4/2011 O'Brien D6/562

DESCRIPTION

FIG. 1 is a front perspective view of a shelf showing my new design;

FIG. 2 is a front view thereof;

FIG. 3 is a rear view thereof;

FIG. 4 is a left side view thereof;

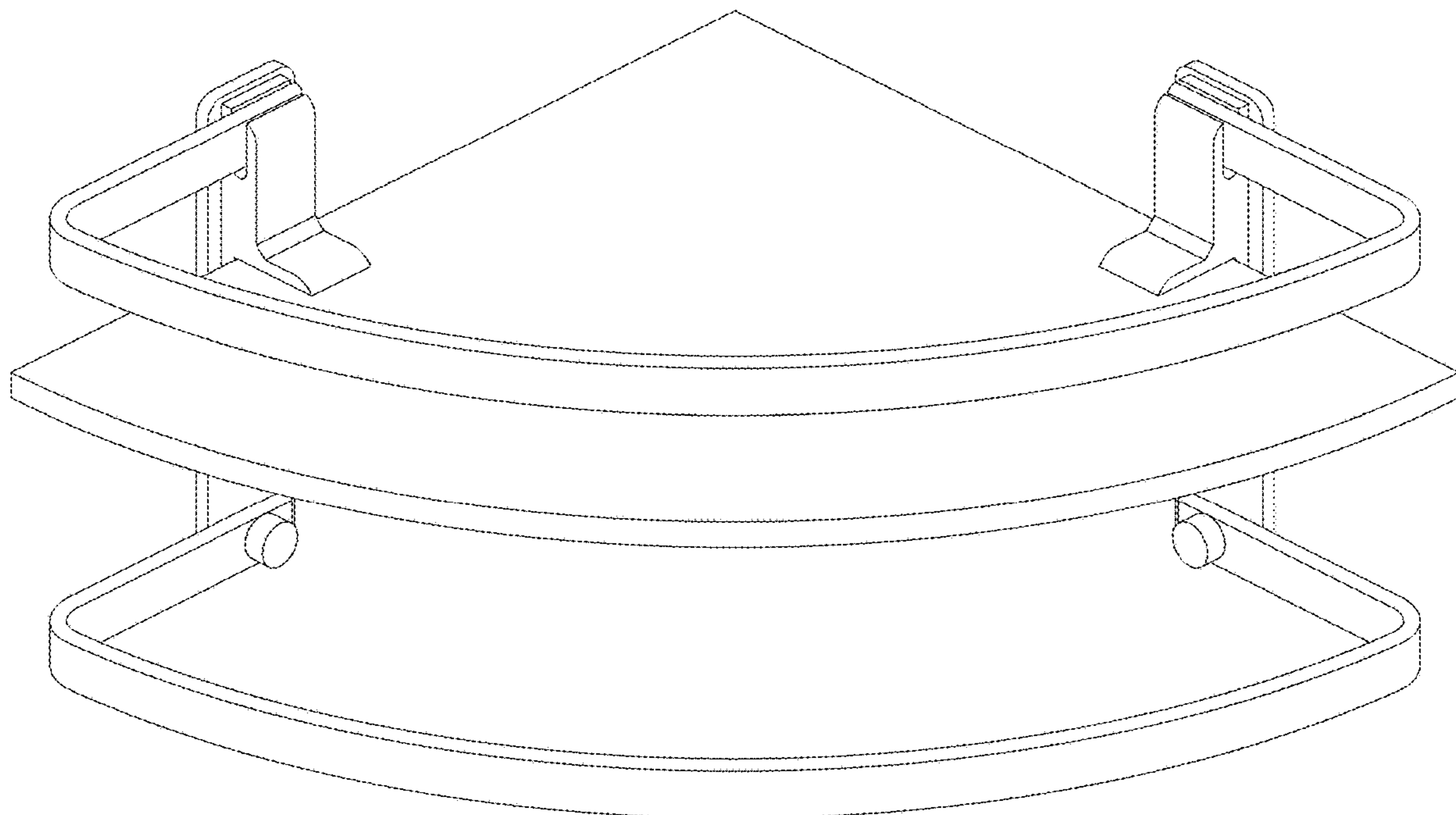
FIG. 5 is a right side view thereof;

FIG. 6 is a bottom view thereof; and,

FIG. 7 is a top view thereof.

The broken lines depict portions of the shelf in which the design is embodied that form no part of the claimed design.

1 Claim, 7 Drawing Sheets



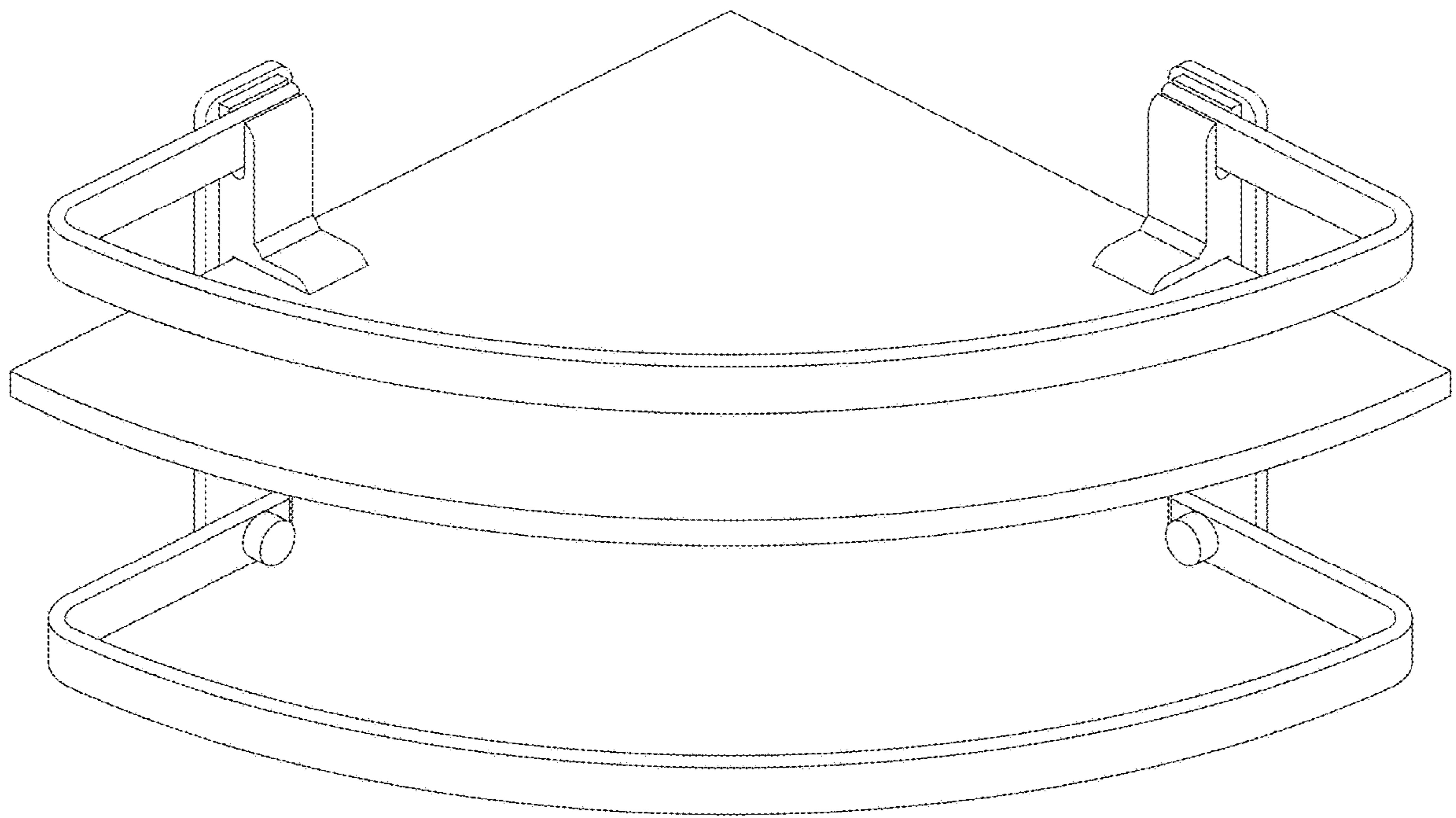


FIG. 1

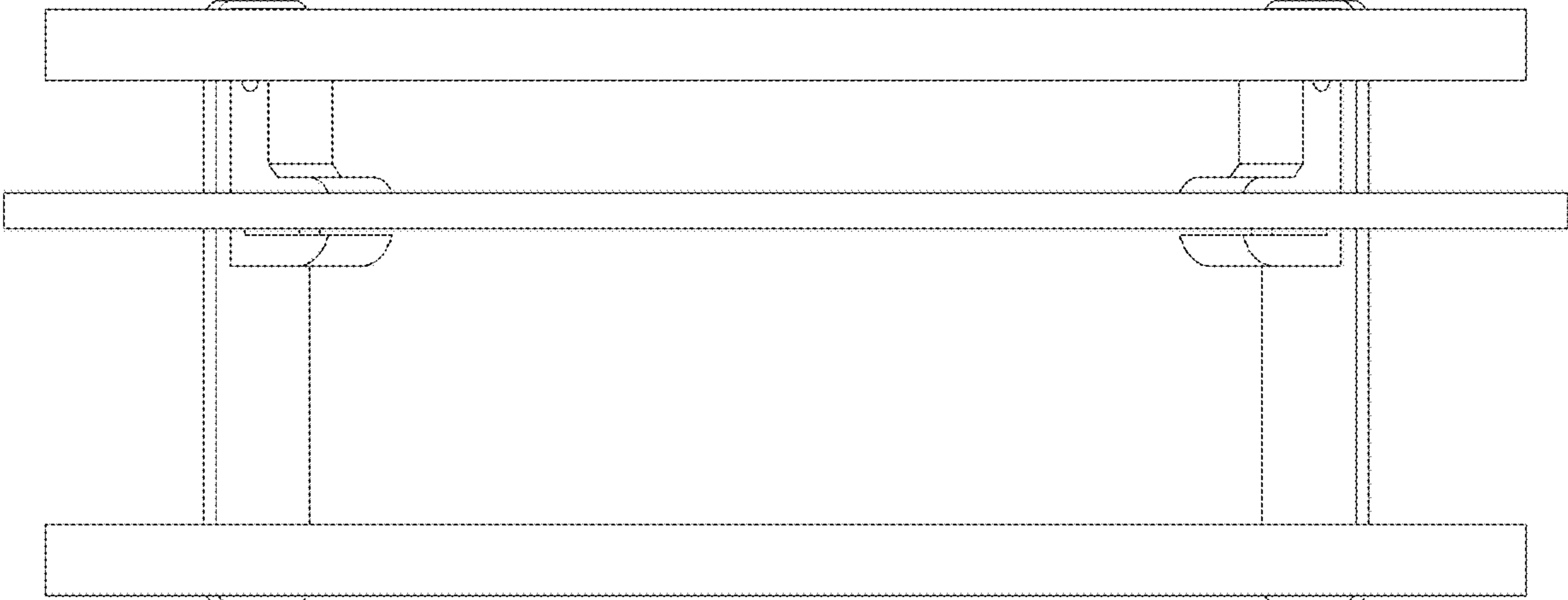


FIG. 2

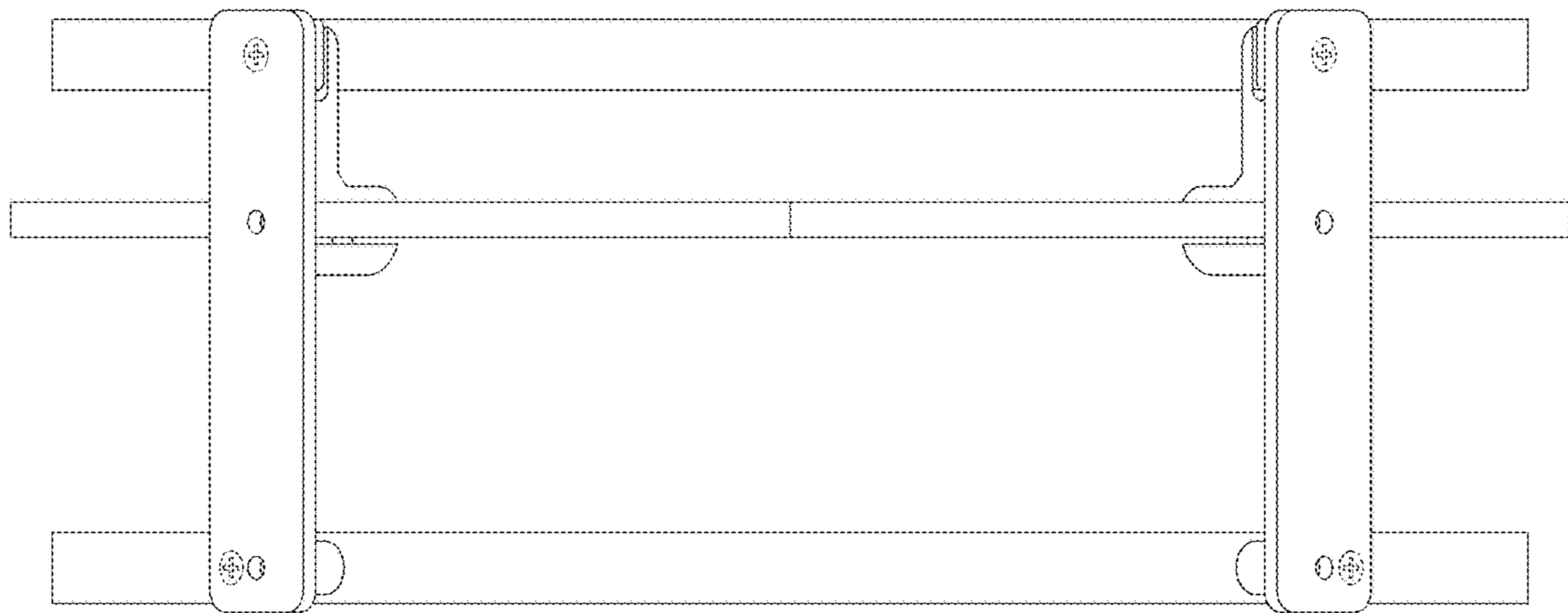


FIG. 3

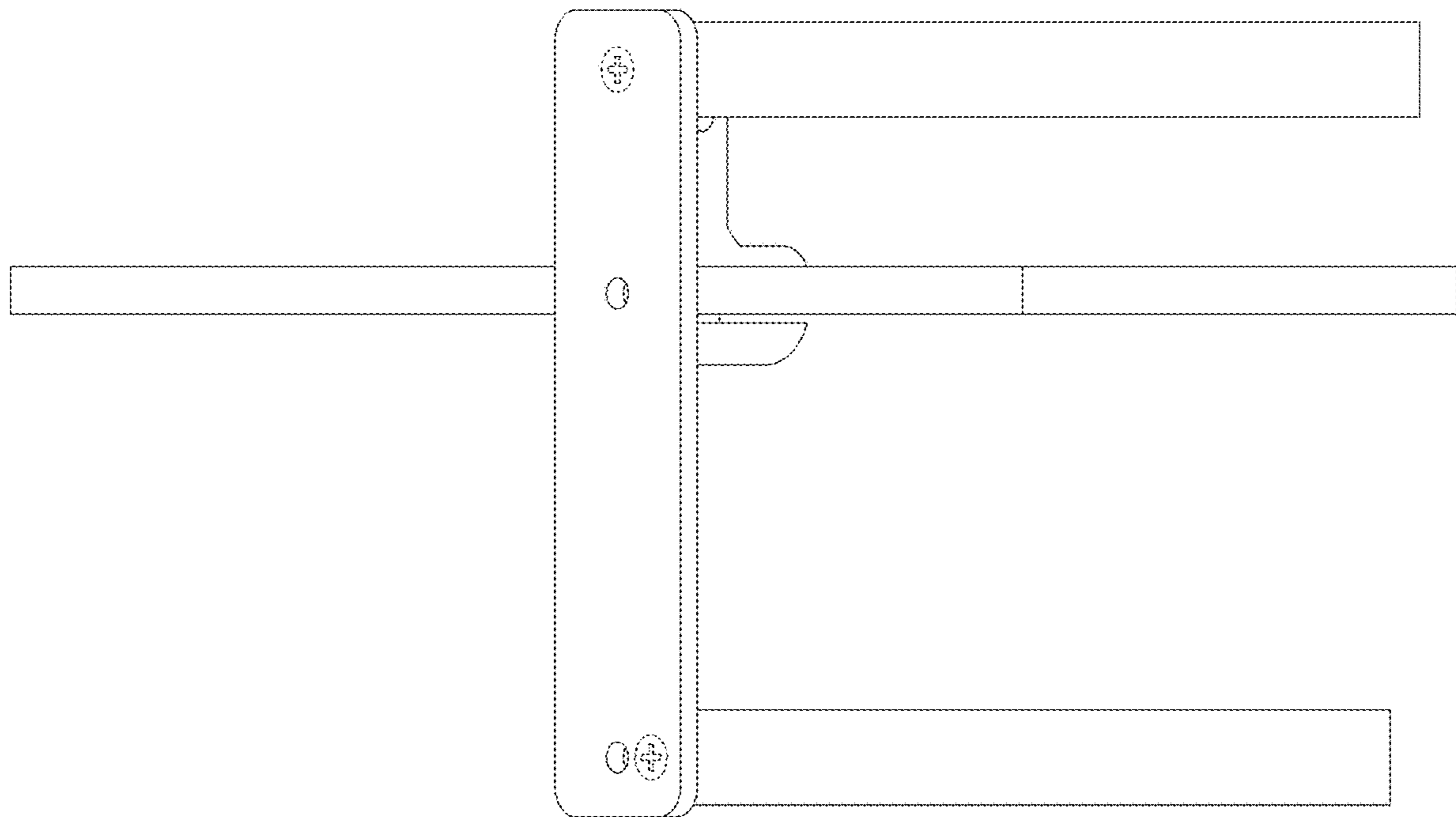


FIG. 4

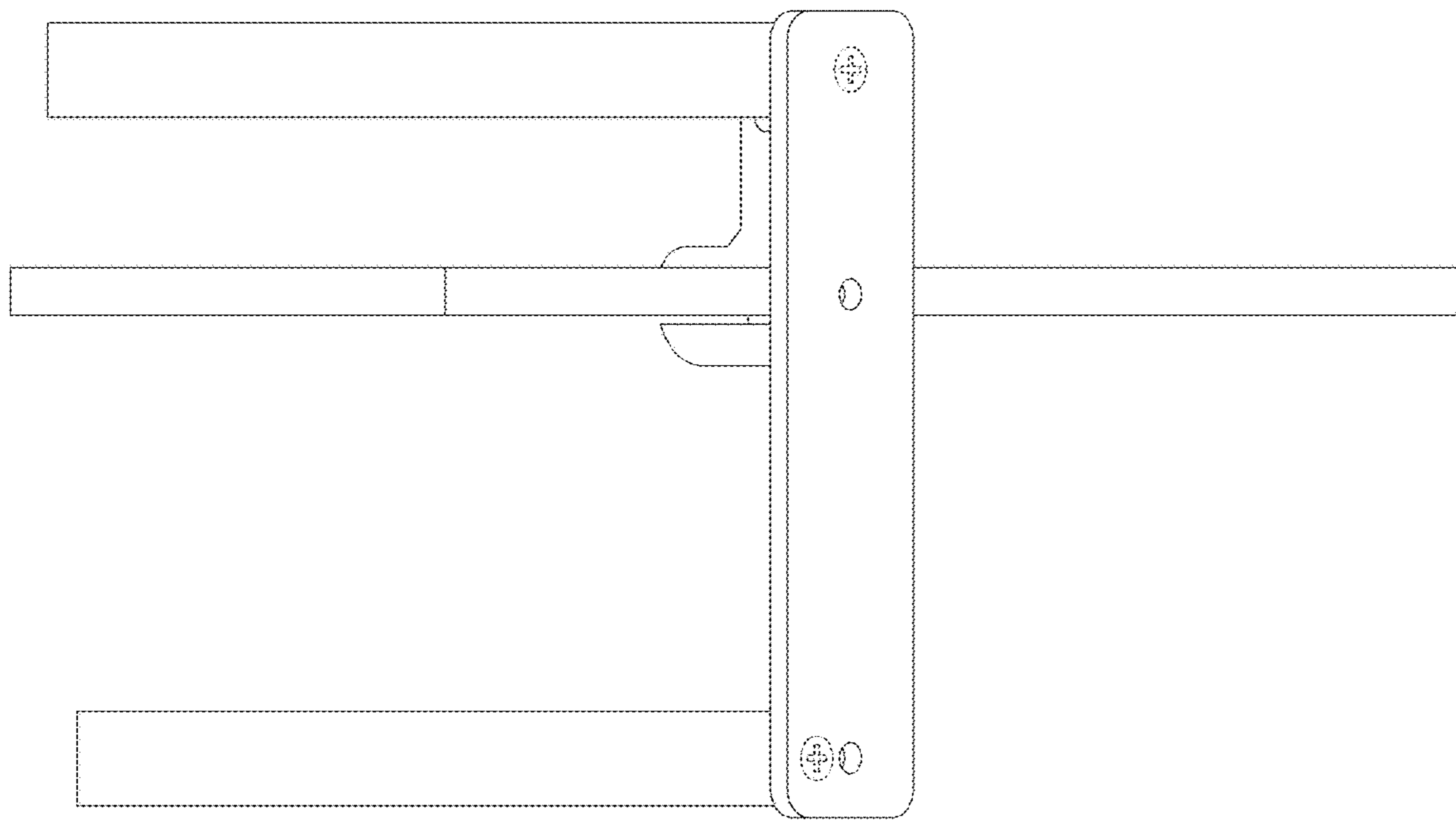


FIG. 5

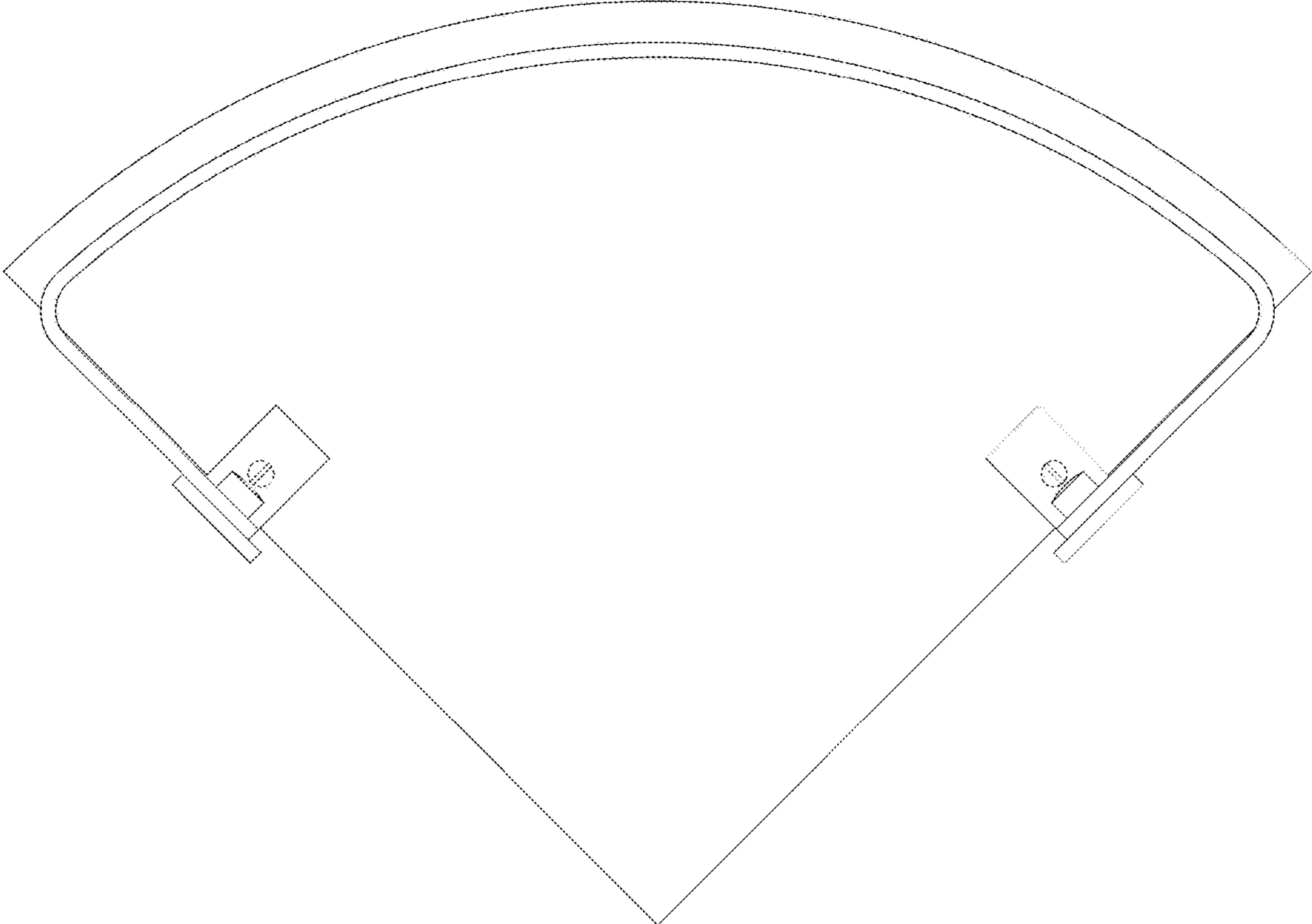


FIG. 6

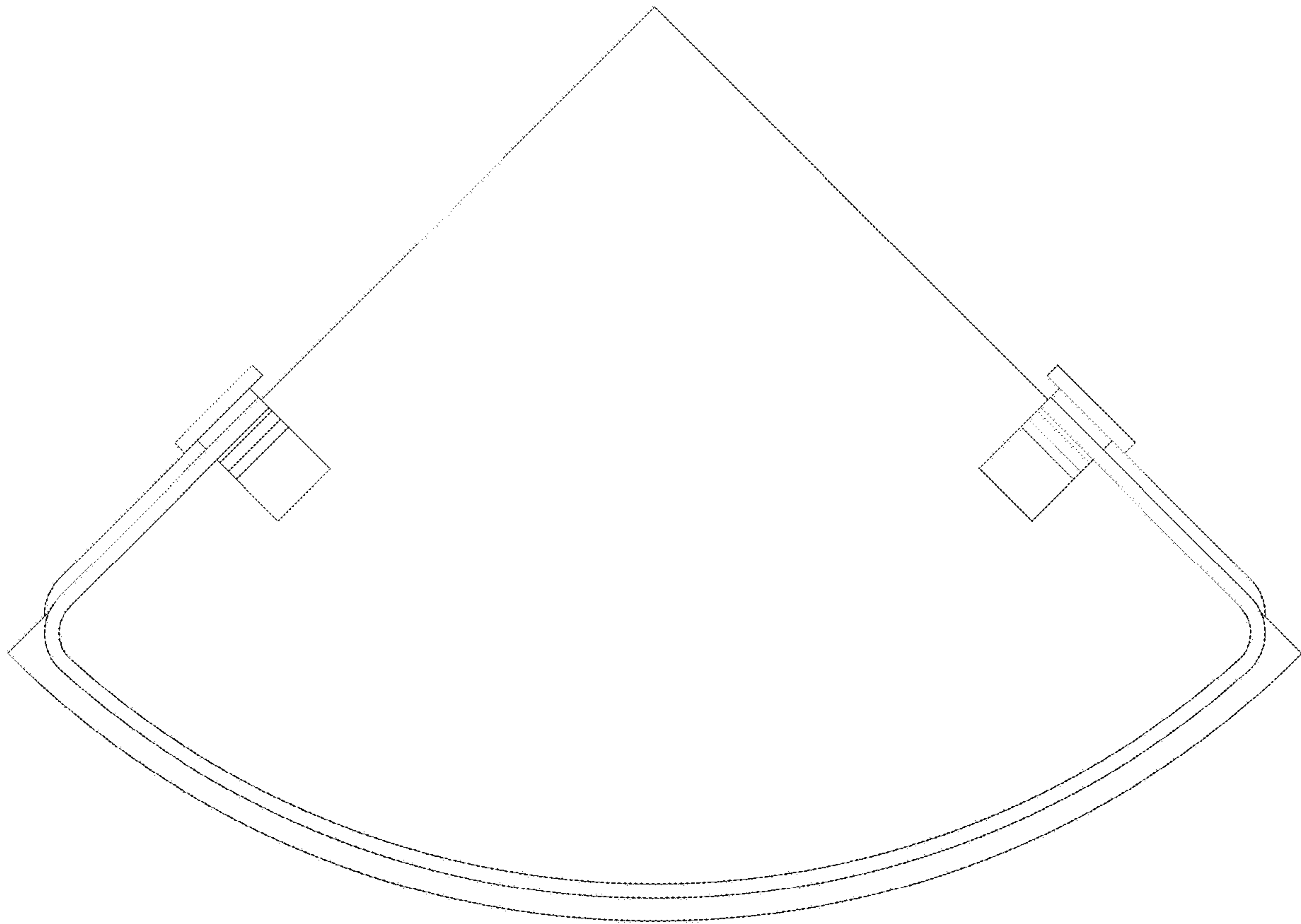


FIG. 7