



US00D961291S

(12) **United States Design Patent** (10) **Patent No.:** **US D961,291 S**
Yang (45) **Date of Patent:** **** Aug. 23, 2022**

(54) **PISTOL RACK**
(71) Applicant: **Zijiang Yang**, Fontana, CA (US)
(72) Inventor: **Zijiang Yang**, Fontana, CA (US)
(**) Term: **15 Years**
(21) Appl. No.: **29/747,194**
(22) Filed: **Aug. 20, 2020**
(51) **LOC (13) Cl.** **06-04**
(52) **U.S. Cl.**
USPC **D6/552**
(58) **Field of Classification Search**
USPC D6/552, 553, 675.1–675.2, 682; D3/262;
D19/75, 90; D21/484, 485, 487, 488,
D21/492, 503, 504, 743, 748; D22/108,
D22/109, 110
CPC F41C 33/02; F41A 23/18; A47B 81/005;
A47B 63/00; B60R 7/14
See application file for complete search history.

2009/0255881 A1* 10/2009 Su A47B 65/00
211/42
2016/0153745 A1* 6/2016 Higgins F41C 33/06
29/428
2022/0017017 A1* 1/2022 Mueller B60R 7/14

OTHER PUBLICATIONS

Savior Equipment Gun Pistol Revolver Firearm Handgun Rack Stand, available in Amazon.com, date first available Dec. 2, 2020 [online], Retrieved on Apr. 20, 2022 from URL: <https://www.amazon.com/Savior-Equipment-Long-Barreled-Cushioned-Accessories/dp/B08PHTGRQK/> (Year: 2020).*

* cited by examiner

Primary Examiner — Vy N Koenig
Assistant Examiner — Michelle M Reeves

(57) **CLAIM**

I claim the ornamental design for a pistol rack, as shown and described.

(56) **References Cited**

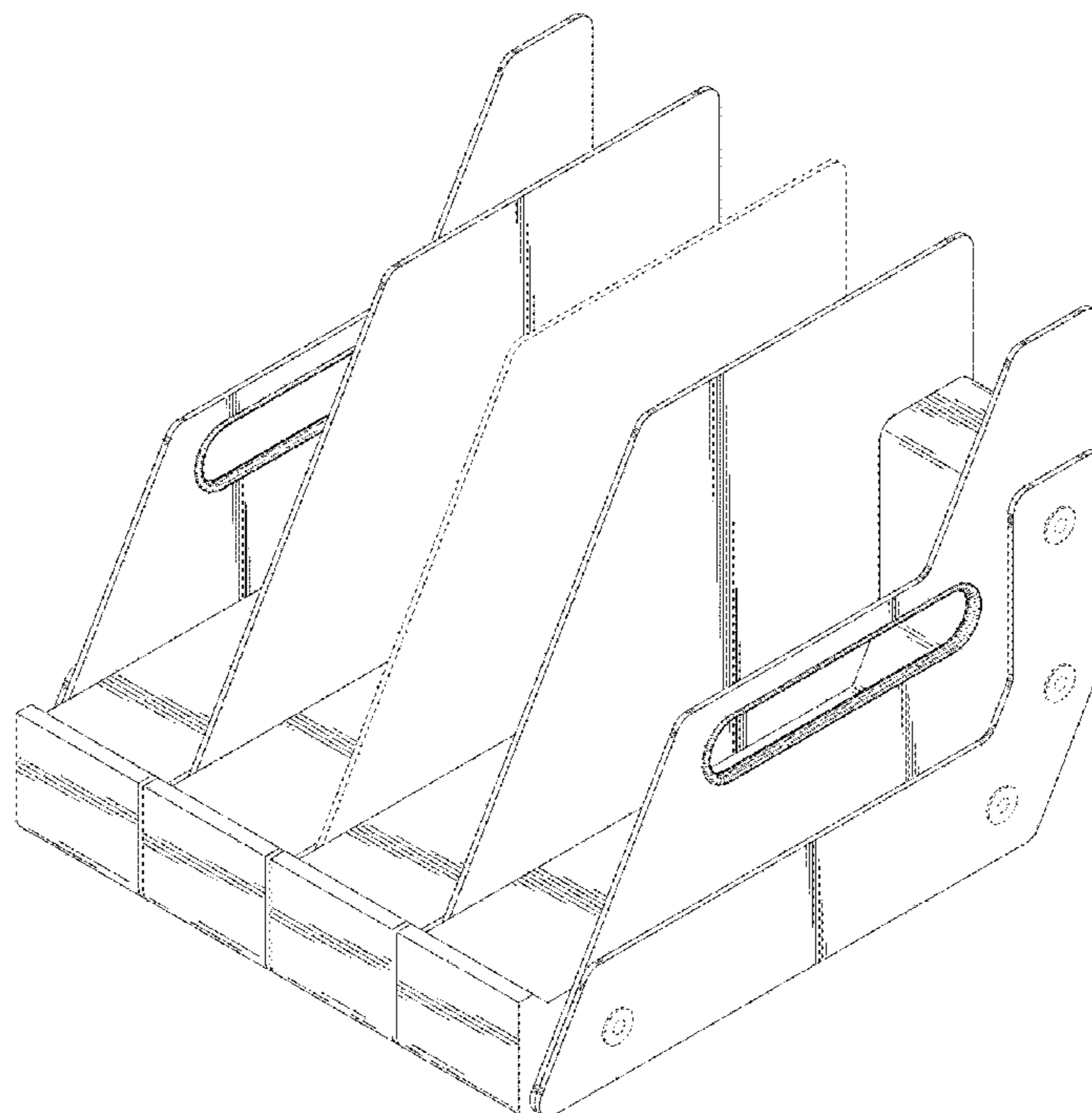
U.S. PATENT DOCUMENTS

2,537,565 A * 1/1951 Wolters A47B 63/00
211/11
D299,478 S * 1/1989 Klodt D19/75
D335,996 S * 6/1993 Evenson D6/683
6,427,851 B1 * 8/2002 Chang A47B 63/00
211/50
D587,051 S * 2/2009 Vining D6/552
D670,937 S * 11/2012 Stravitz D6/675.1
8,955,697 B2 * 2/2015 Spilotro F42B 39/28
D3/262
2007/0251901 A1* 11/2007 Werner F41A 23/18
211/64

DESCRIPTION

FIG. 1 is a perspective view of a pistol rack showing my new design.
FIG. 2 is a front elevation view thereof.
FIG. 3 is a rear elevation view thereof.
FIG. 4 is a side elevation view, with the opposite side being a mirror image thereof.
FIG. 5 is a top plan view thereof; and,
FIG. 6 is a bottom plan view thereof.
The broken lines in the drawings depict environmental subject matter and form no part of the claimed design.

1 Claim, 6 Drawing Sheets



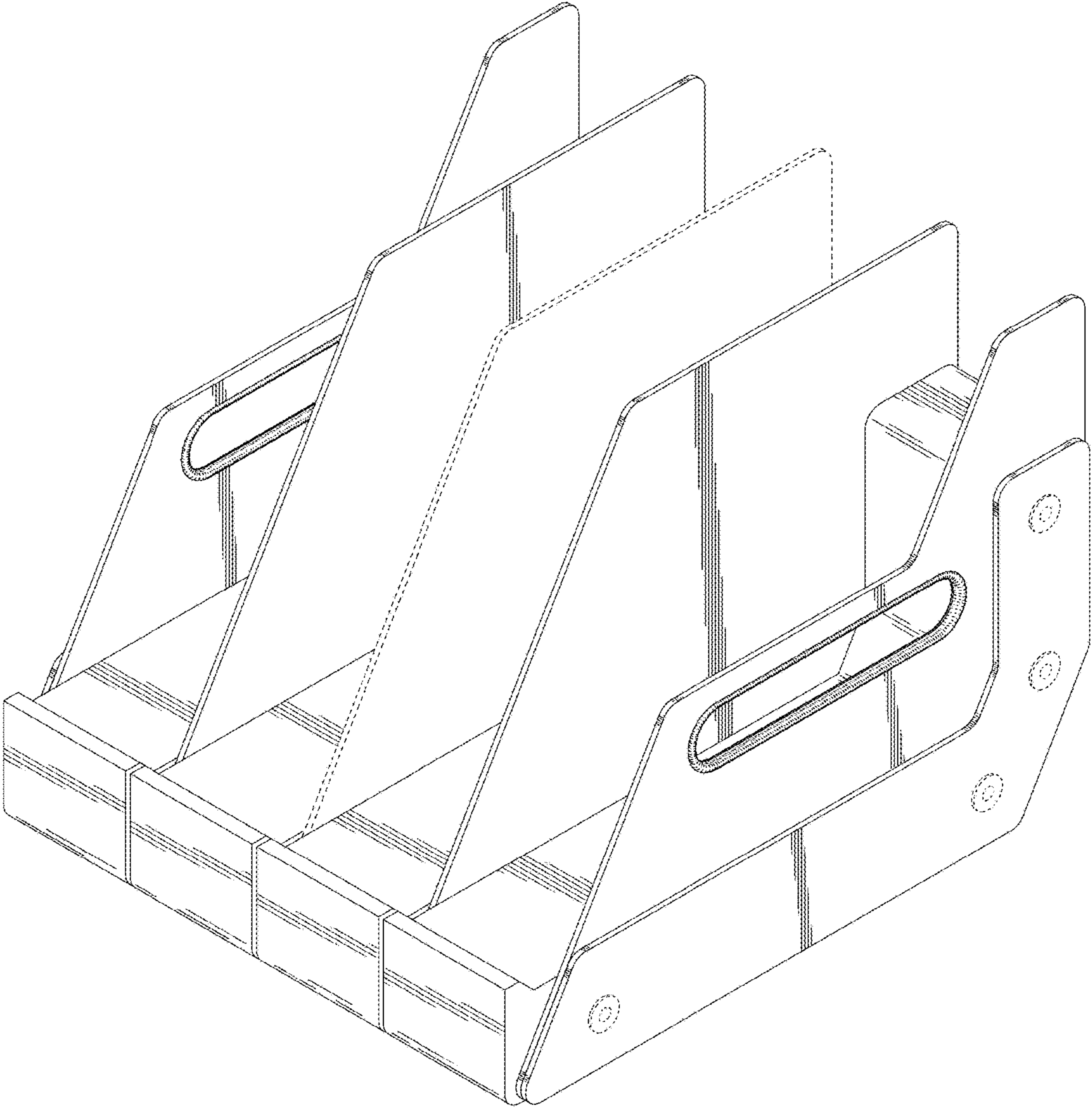


Fig. 1

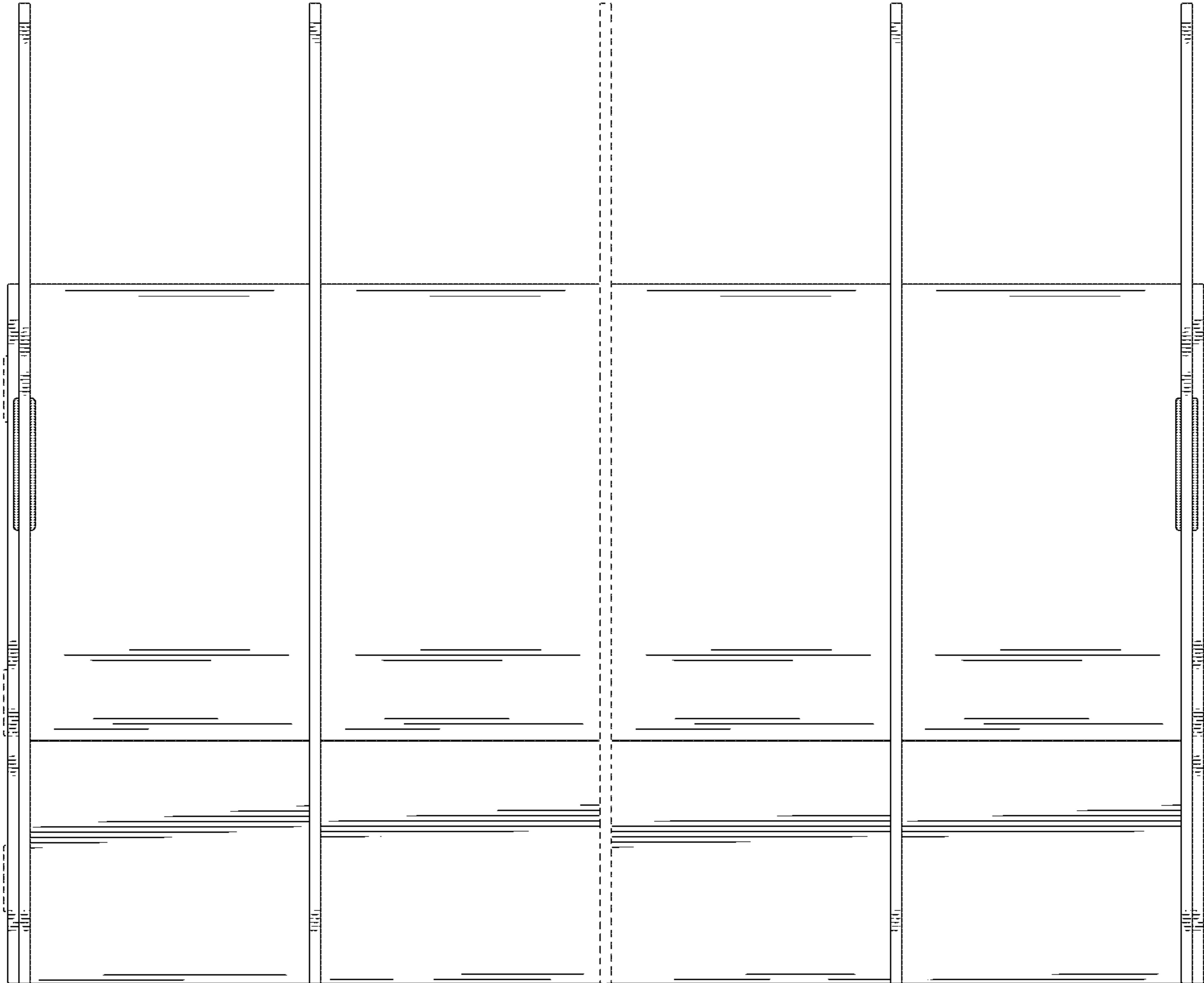


Fig. 2

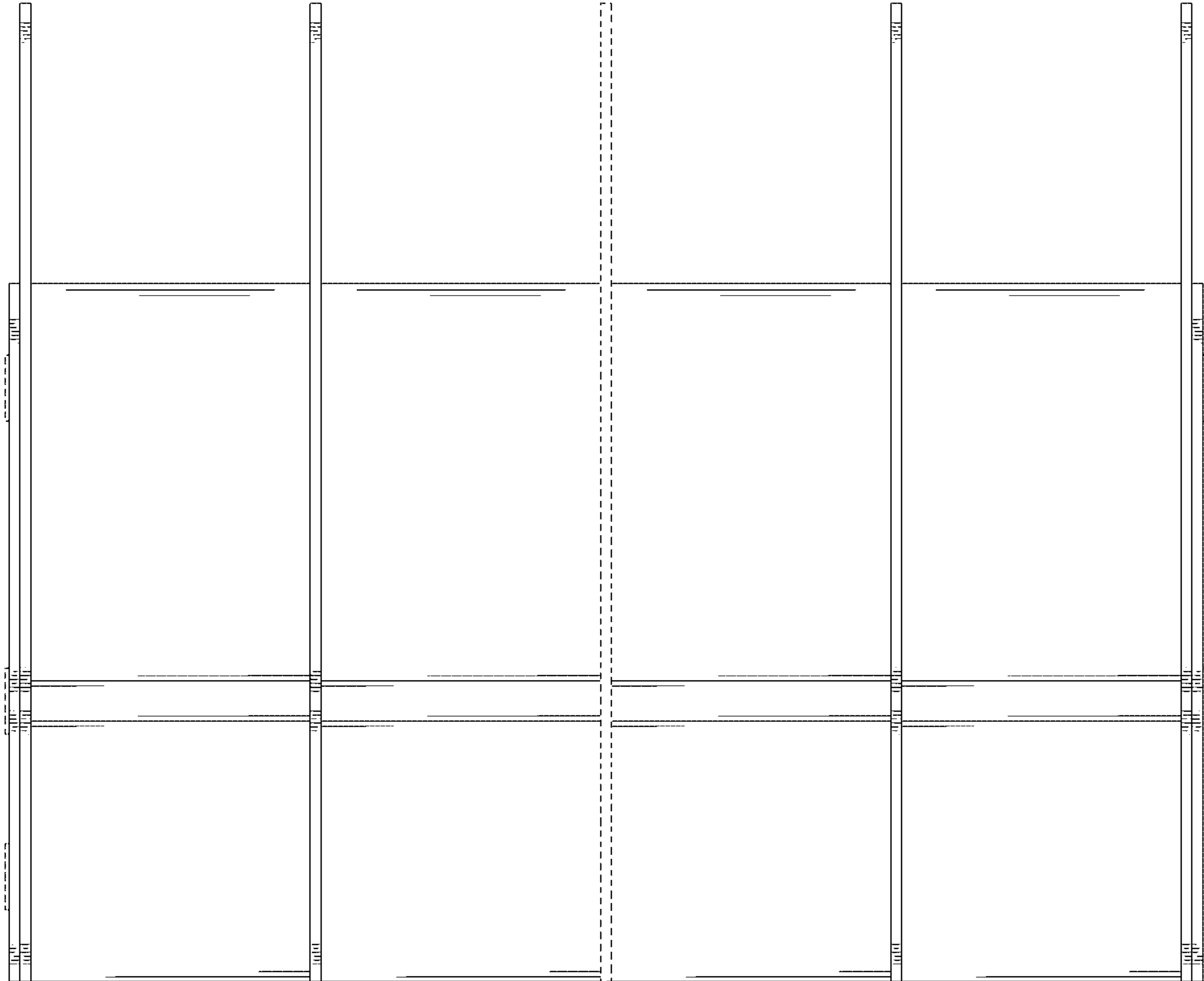


Fig. 3

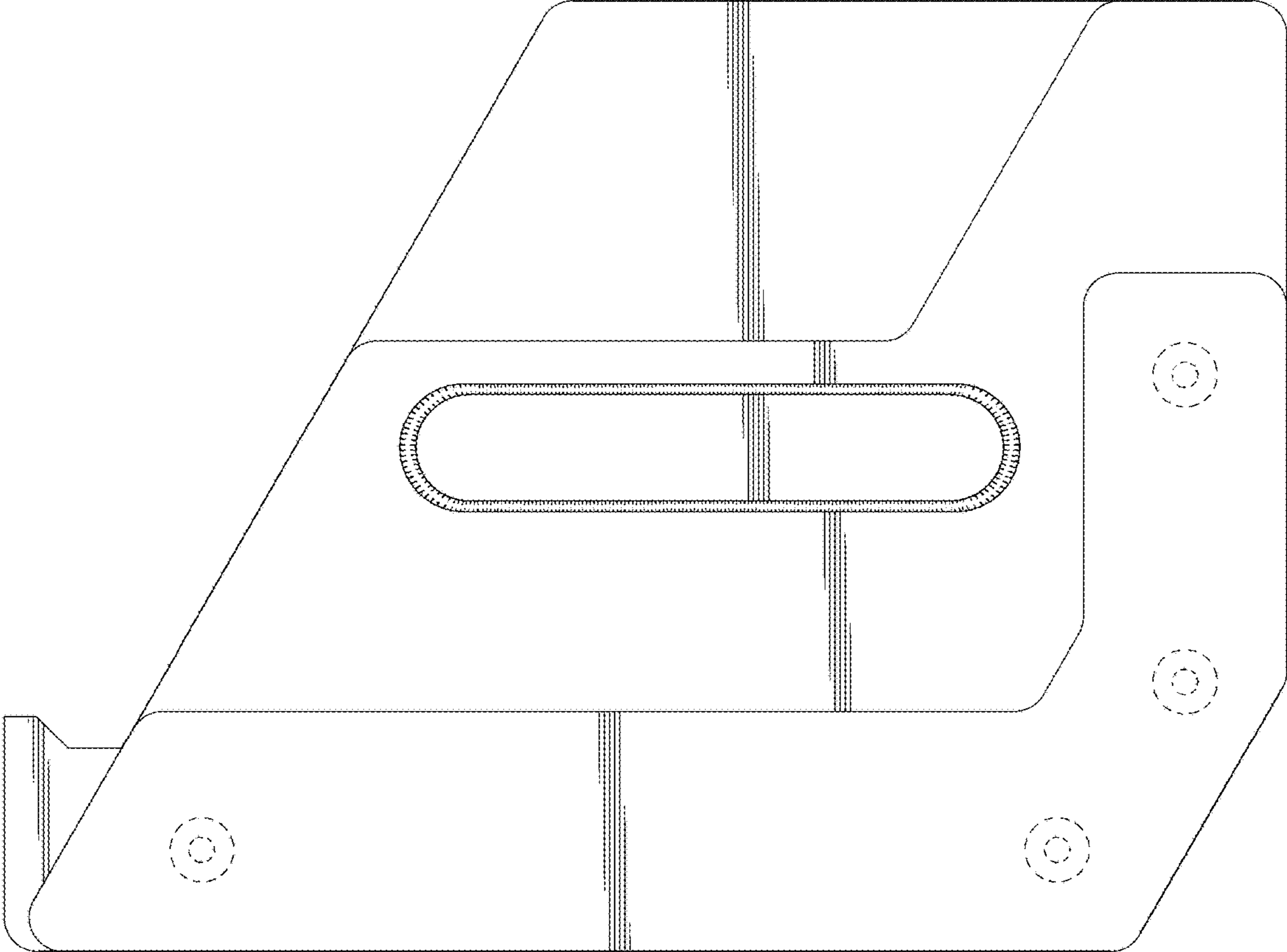


Fig. 4

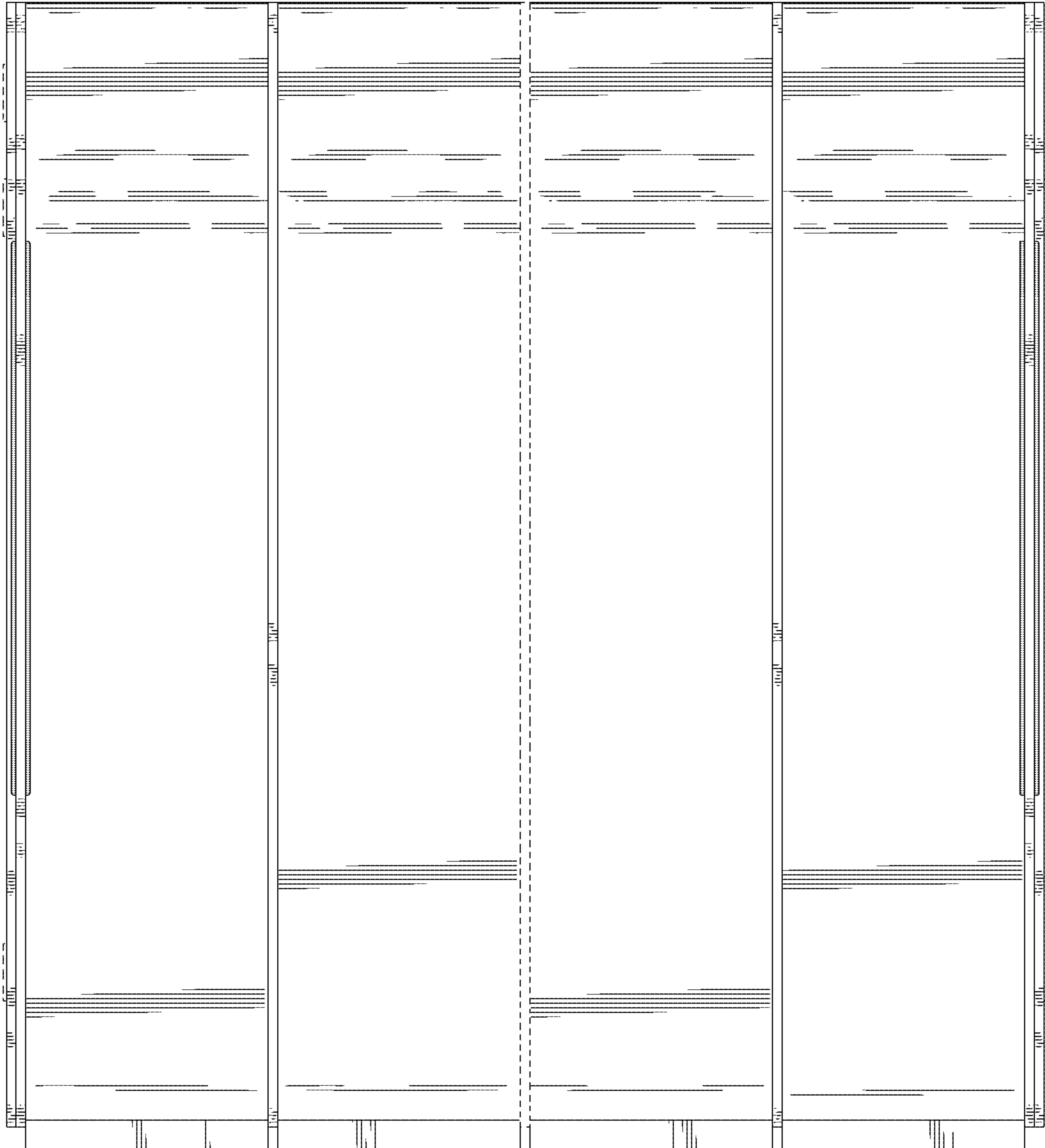


Fig. 5

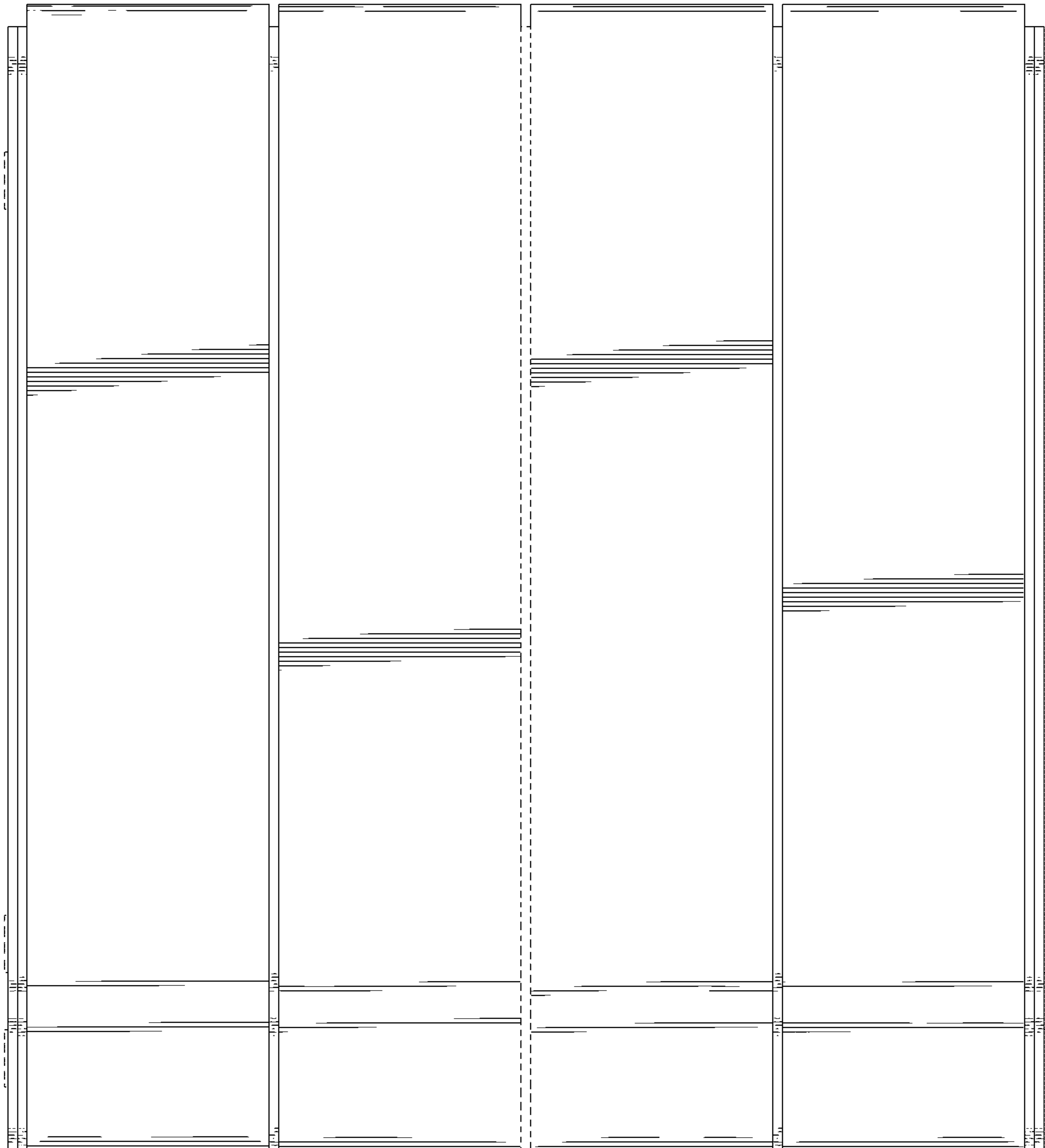


Fig. 6