



US00D961290S

(12) **United States Design Patent** (10) **Patent No.:** **US D961,290 S**
Mai (45) **Date of Patent:** **** Aug. 23, 2022**

(54) **TOWEL HOLDER**
(71) Applicant: **Kefeng Mai**, Hong Kong (CN)
(72) Inventor: **Kefeng Mai**, Hong Kong (CN)
(**) Term: **15 Years**
(21) Appl. No.: **29/747,470**
(22) Filed: **Aug. 24, 2020**
(51) **LOC (13) Cl.** **23-08**
(52) **U.S. Cl.**
USPC **D6/549**; D6/681.1
(58) **Field of Classification Search**
USPC D6/548-549, 518-527, 681-683, 677.1;
D7/388; D14/223, 224
CPC B65H 16/02
See application file for complete search history.

D888,474 S * 6/2020 Li D6/682.6
D890,327 S * 7/2020 Gao D6/682
D906,756 S * 1/2021 Day-Swallow D7/637
D908,409 S * 1/2021 Chiang D6/681
D927,232 S * 8/2021 Schuster D6/682

OTHER PUBLICATIONS

Towel Rack, available in Amazon.ca, date first available Oct. 13, 2019 [online], Retrieved on Jan. 28, 2022 from URL: <https://www.amazon.ca/KES-Stainless-Standing-Countertop-BTH205S2-2/dp/B07X538VCS/> (Year: 2019).*

* cited by examiner

Primary Examiner — Vy N Koenig
Assistant Examiner — Michelle M Reeves
(74) *Attorney, Agent, or Firm* — Bayramoglu Law Offices LLC

(56) **References Cited**

U.S. PATENT DOCUMENTS

D280,579 S * 9/1985 Brown D6/681.1
D372,156 S * 7/1996 Botsford D6/548
D372,533 S * 8/1996 Davis 211/205
D391,706 S * 3/1998 Malcolm 211/205
D397,569 S * 9/1998 Warshawsky D6/548
D458,770 S * 6/2002 Walter D6/681.1
D459,106 S * 6/2002 Walter D6/681.1
6,726,033 B2 * 4/2004 Sparkowski A47F 13/085
211/205
6,988,691 B1 * 1/2006 Lai A47K 10/38
242/598.5
D619,840 S * 7/2010 Davis D6/527
D642,410 S * 8/2011 Vaults, Jr. D6/524
D655,530 S * 3/2012 Denby D6/681.1
D825,961 S * 8/2018 Vaults D6/677.1
D842,003 S * 3/2019 Soileau D6/518
D848,187 S * 5/2019 Lee D6/681.1
D879,075 S * 3/2020 Xu D14/224
D888,473 S * 6/2020 Li D6/682.6

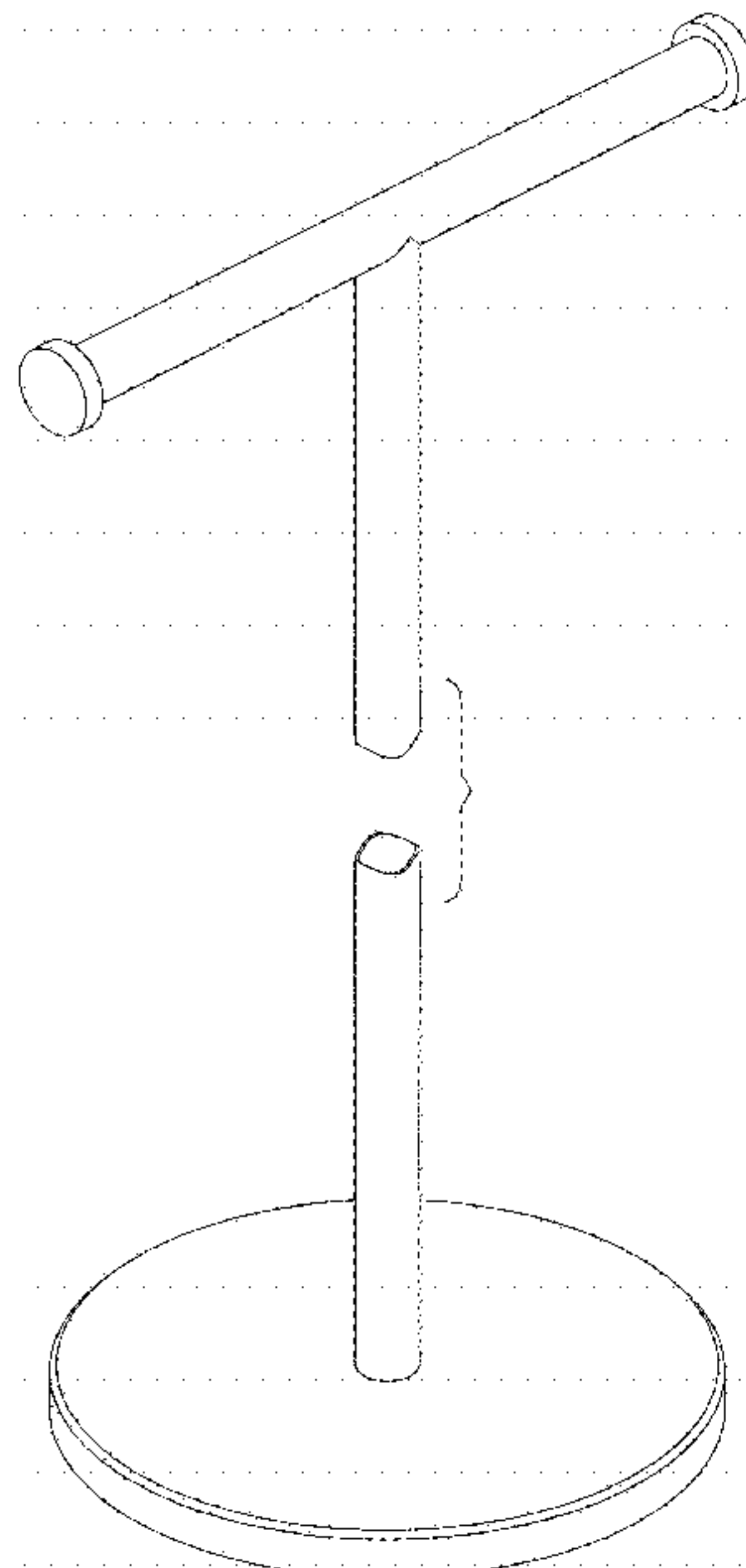
(57) **CLAIM**

The ornamental design for a towel holder, as shown and described.

DESCRIPTION

FIG. 1 is a perspective view of a towel holder showing my new design;
FIG. 2 is a front view thereof;
FIG. 3 is a rear view thereof;
FIG. 4 is a right side view thereof;
FIG. 5 is a left side view thereof; and,
FIG. 6 is a top view thereof.
The symbolic break lines in the figures convey that the appearance of any portion of the towel holder between the symbolic break lines forms no part of the claimed design.

1 Claim, 6 Drawing Sheets



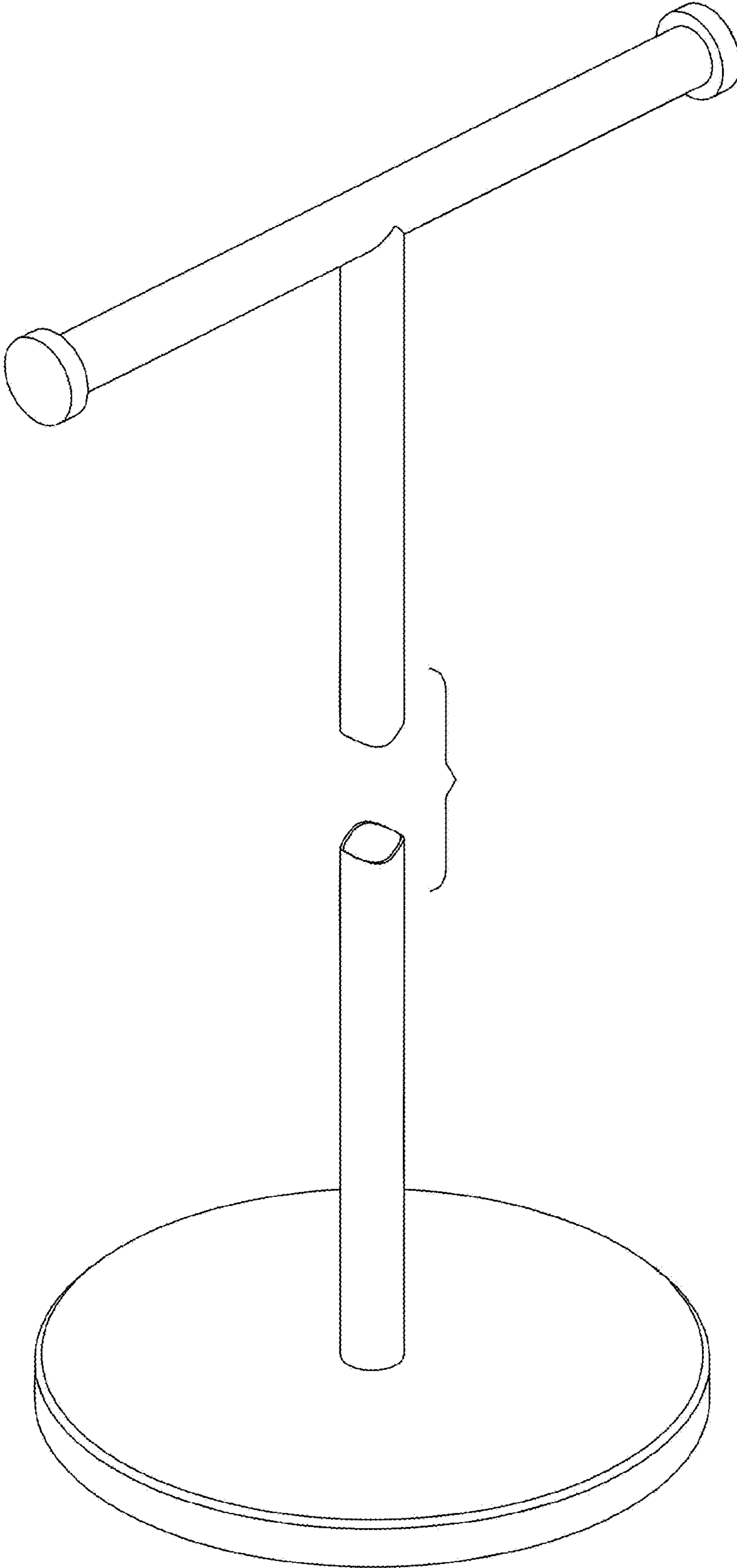


FIG. 1

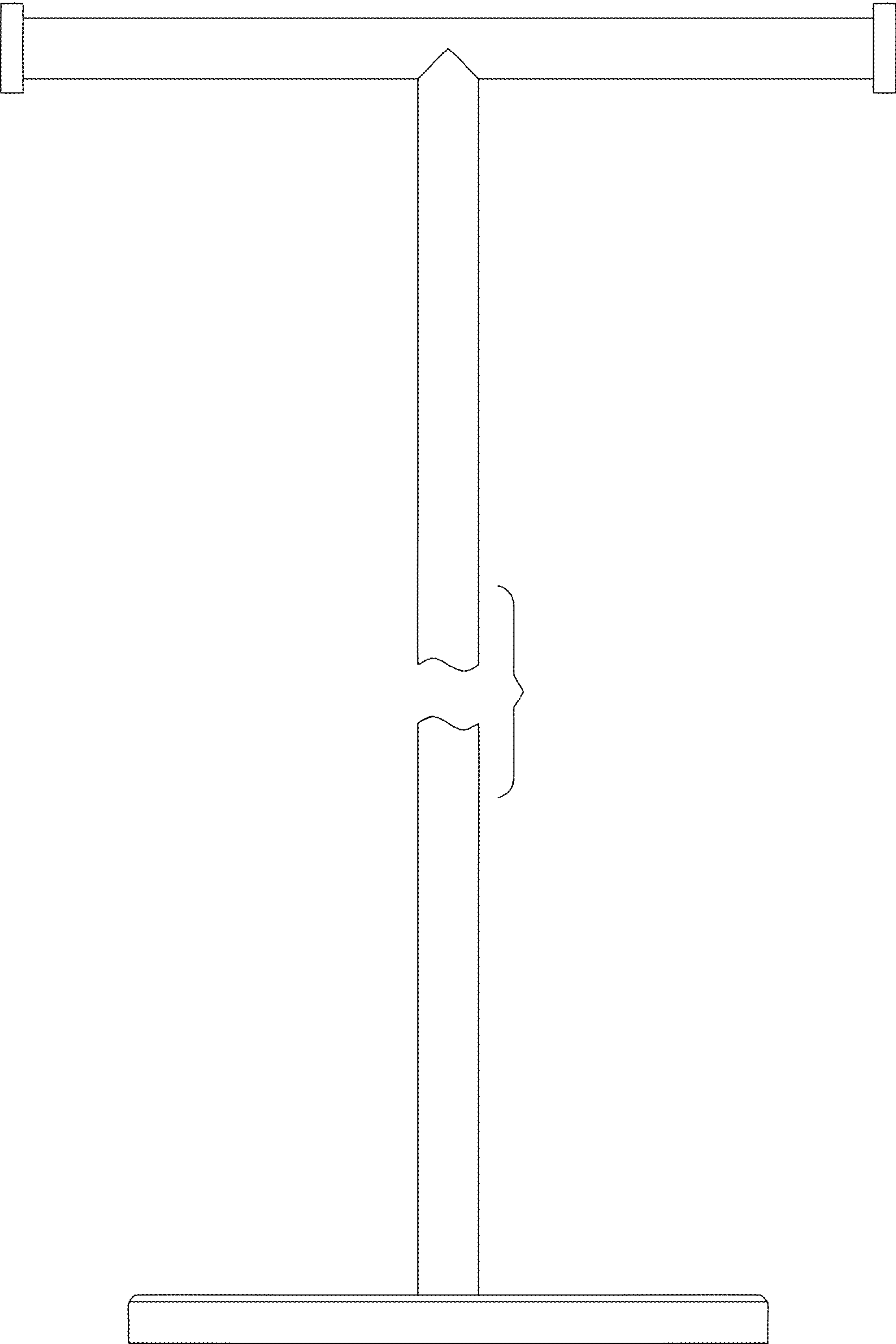


FIG. 2

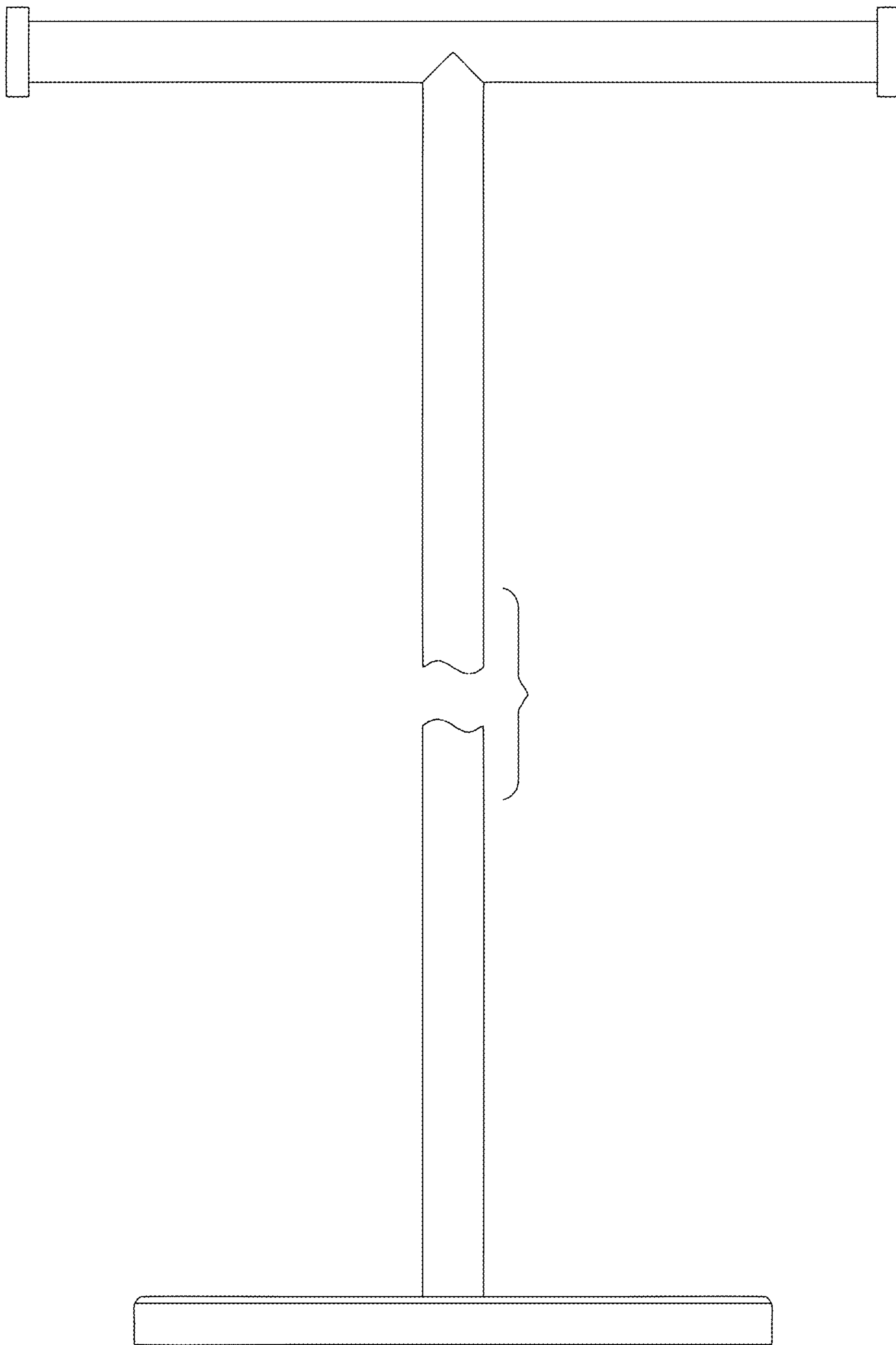


FIG. 3

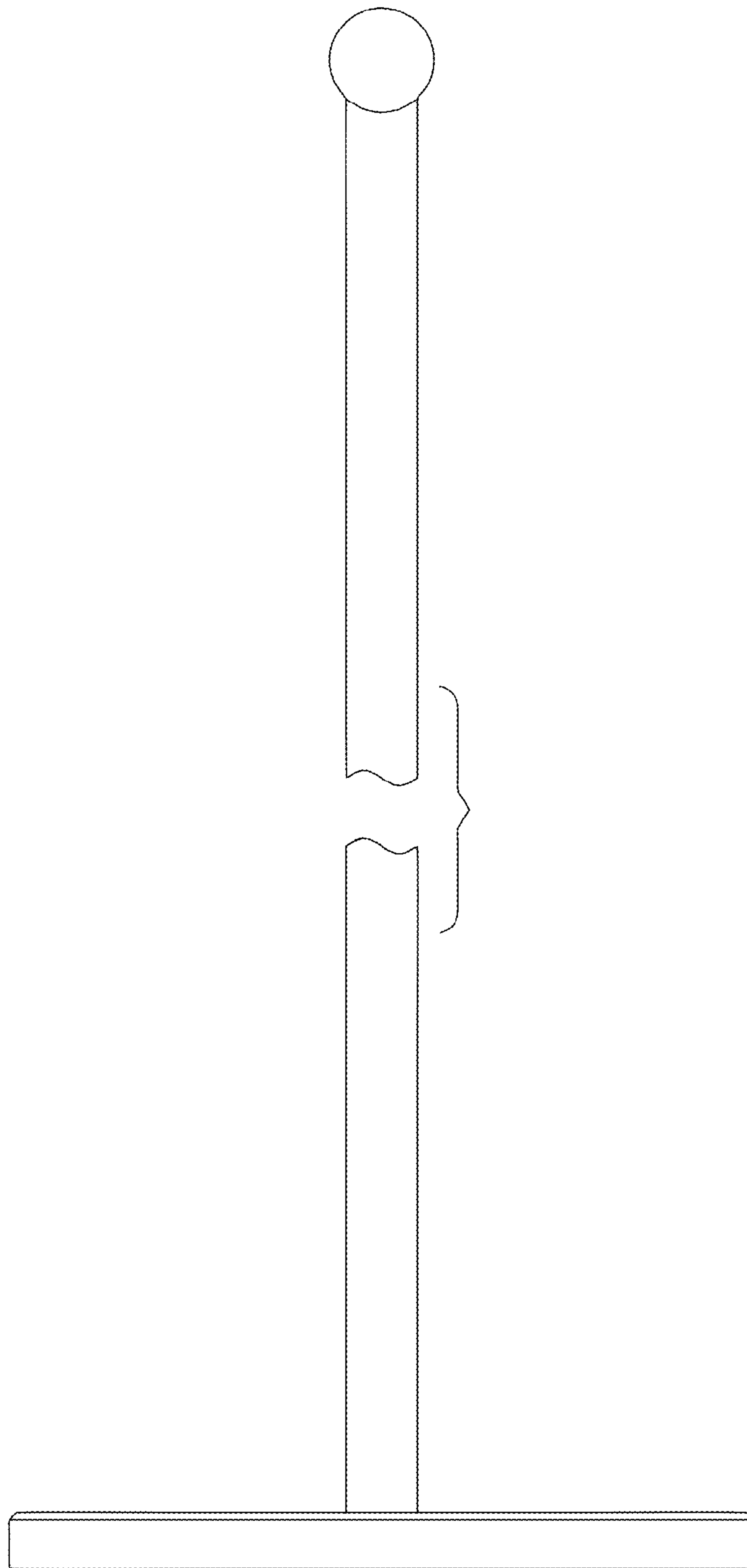


FIG. 4

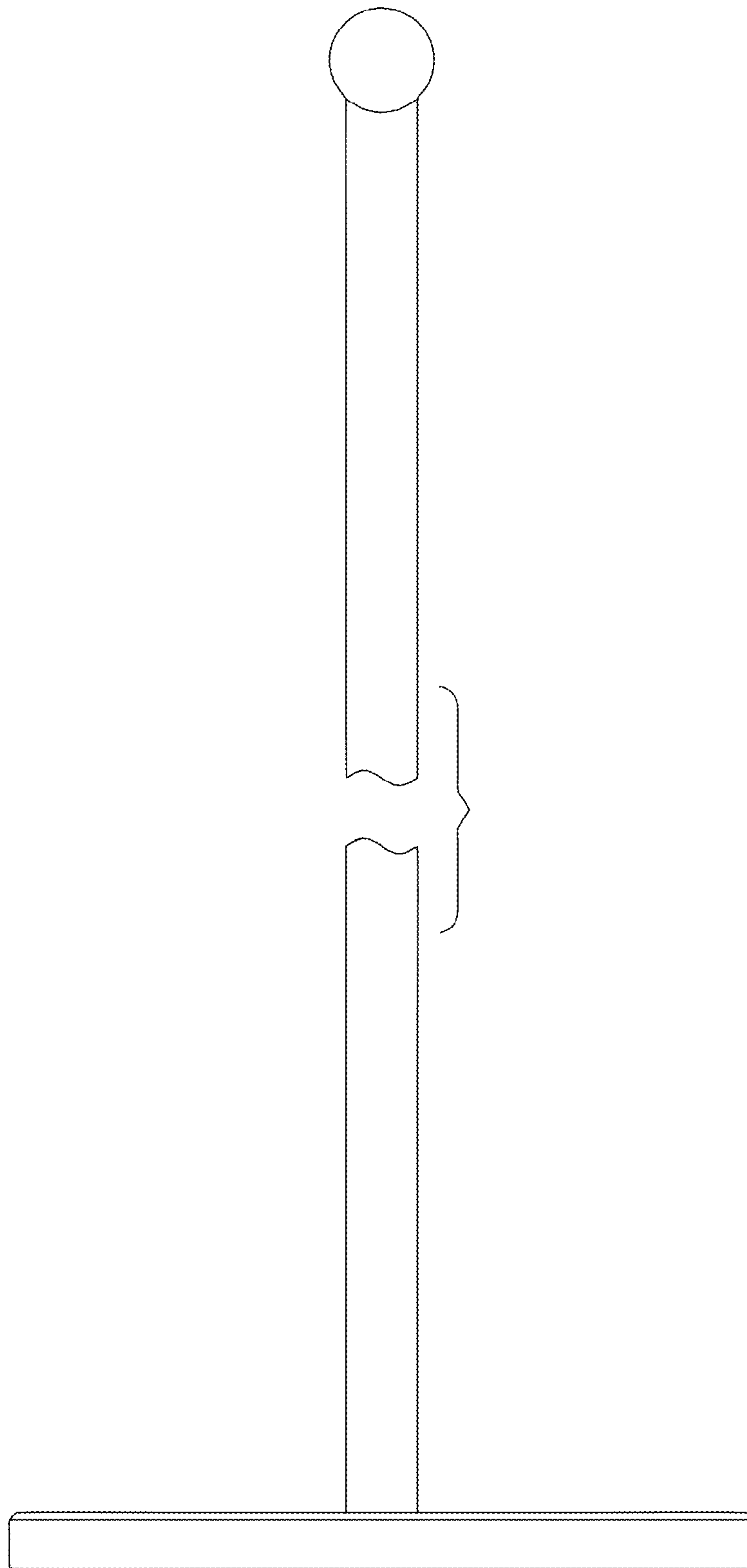


FIG. 5

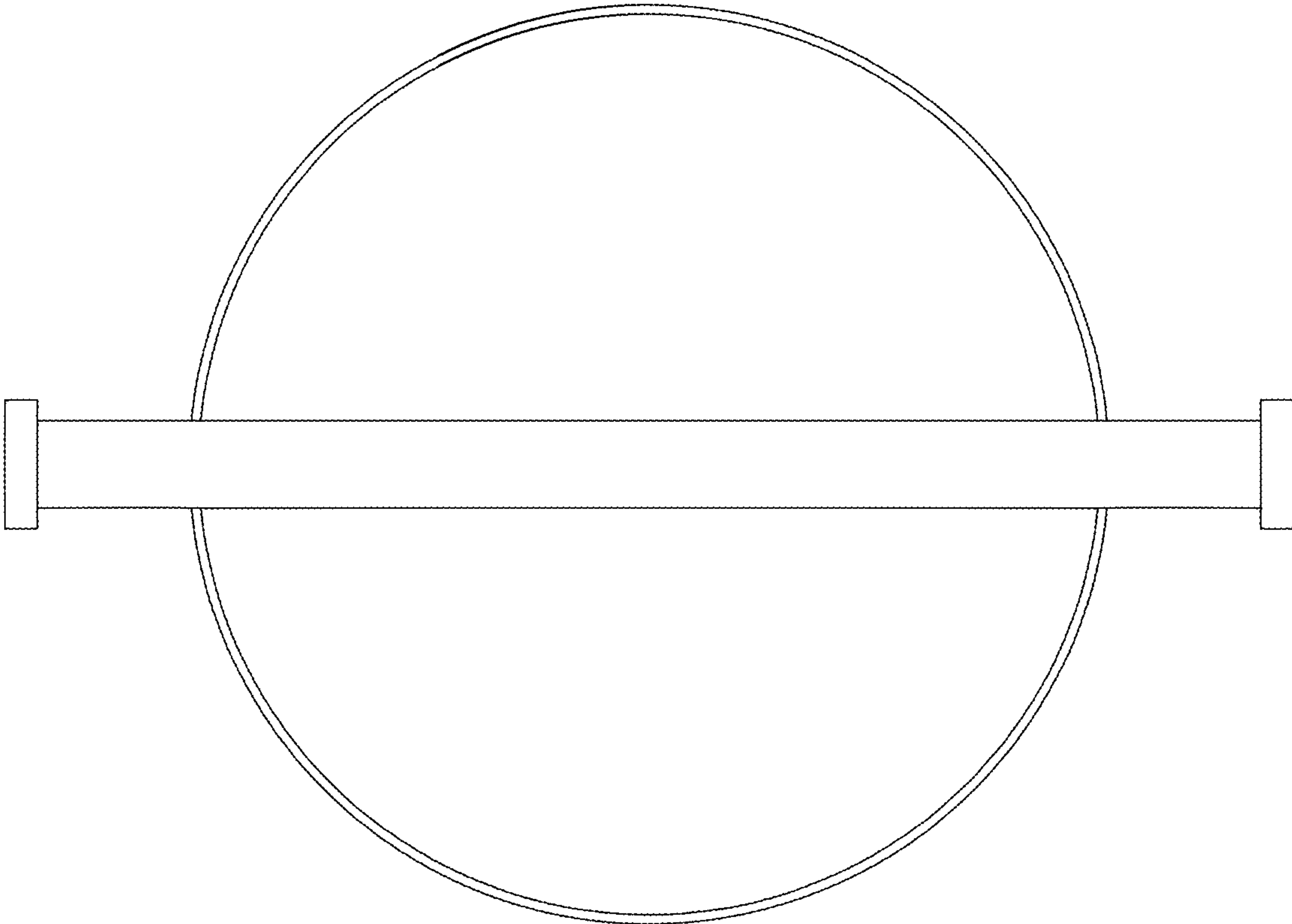


FIG. 6