



US00D961289S

(12) **United States Design Patent** (10) **Patent No.:** **US D961,289 S**
Durden (45) **Date of Patent:** **** Aug. 23, 2022**

(54) **CADDY FOR ORGANIZING ORAL HYGIENE PRODUCTS**

2012/0318689 A1* 12/2012 Joseph B65D 51/248
206/234
2014/0346067 A1* 11/2014 Martin A47K 1/09
206/362.1
2016/0073830 A1* 3/2016 McClenon A47K 1/09
34/202

(71) Applicant: **Kay Durden**, Memphis, TN (US)

(72) Inventor: **Kay Durden**, Memphis, TN (US)

(**) Term: **15 Years**

* cited by examiner

(21) Appl. No.: **29/783,349**

Primary Examiner — Nathan M Johnston
(74) *Attorney, Agent, or Firm* — Barry Choobin; Patent
360

(22) Filed: **May 12, 2021**

(51) **LOC (13) Cl.** **06-04**

(52) **U.S. Cl.**

USPC **D6/528**; D6/534

(58) **Field of Classification Search**

USPC D6/534, 524, 526, 527, 528; D7/635,
D7/701

CPC A46B 17/00; A47G 29/08; A47K 1/09

See application file for complete search history.

(57) **CLAIM**

An ornamental design for a caddy for organizing oral hygiene products, as shown and described.

DESCRIPTION

FIG. 1 is a perspective view of a caddy for organizing oral hygiene products, showing my new design;
FIG. 2 is a front view thereof;
FIG. 3 is a rear view thereof;
FIG. 4 is a right-side view thereof;
FIG. 5 is a left-side view thereof;
FIG. 6 is a top view thereof; and,
FIG. 7 is a bottom view thereof.

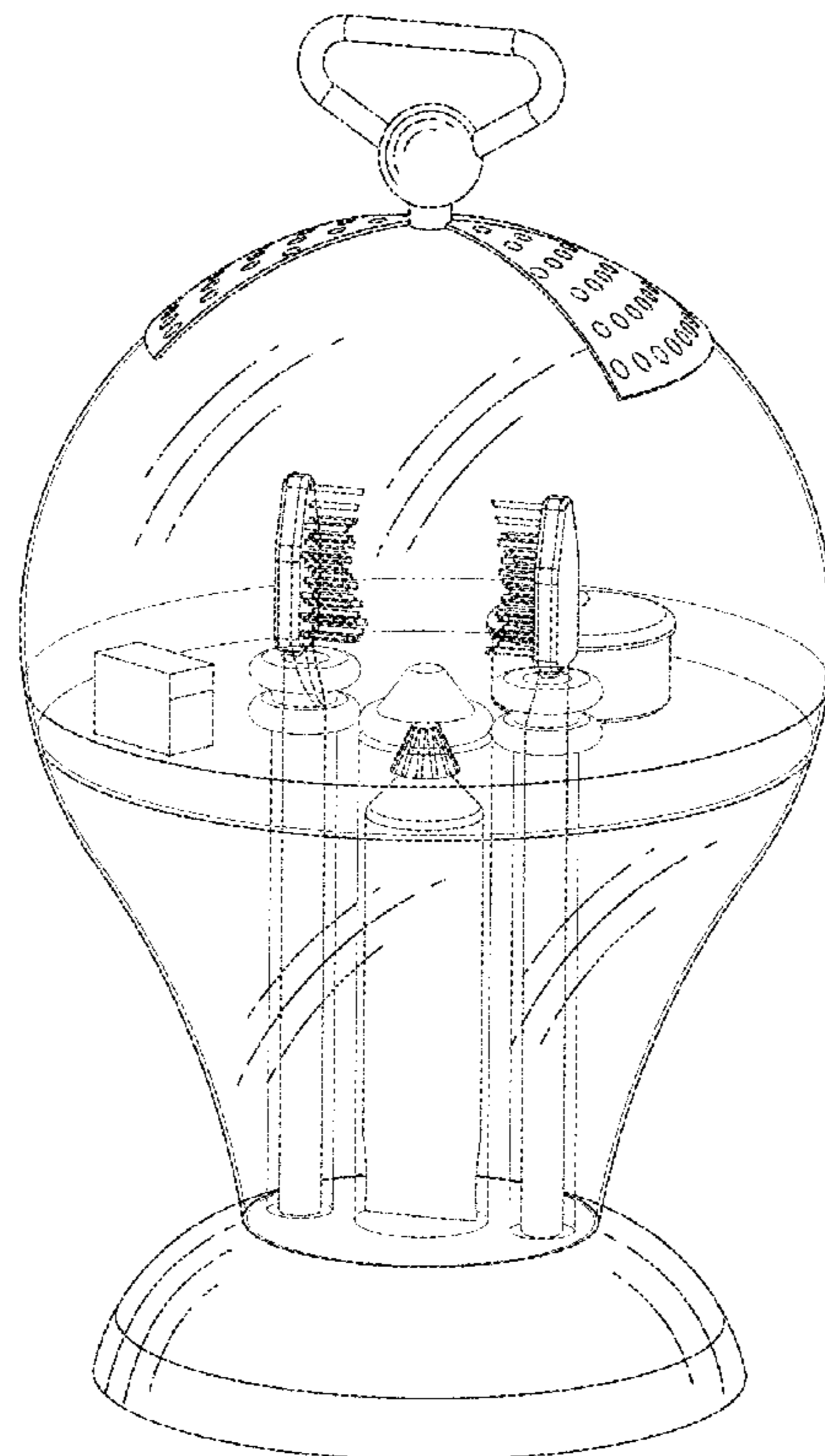
The broken lines depict portions of the article that form no part of the claimed design. Toothbrush and Toothpaste shown by broken lines is for environmental purposes only and forms no part of the claimed design.

(56) **References Cited**

U.S. PATENT DOCUMENTS

D183,987 S *	11/1958	Jones	D6/528
D207,197 S *	3/1967	Peterson	D4/199
D207,630 S *	5/1967	Jones	D6/528
D212,208 S *	9/1968	Rogers	D4/199
D234,481 S *	3/1975	McLeod	D6/534
D319,363 S *	8/1991	Uemura	D6/534
D324,792 S *	3/1992	McElroy	D6/528
D389,686 S *	1/1998	Drage	D10/2
5,769,245 A *	6/1998	Butler	A47K 1/09 248/110
D502,623 S *	3/2005	Minard	D6/534

1 Claim, 7 Drawing Sheets



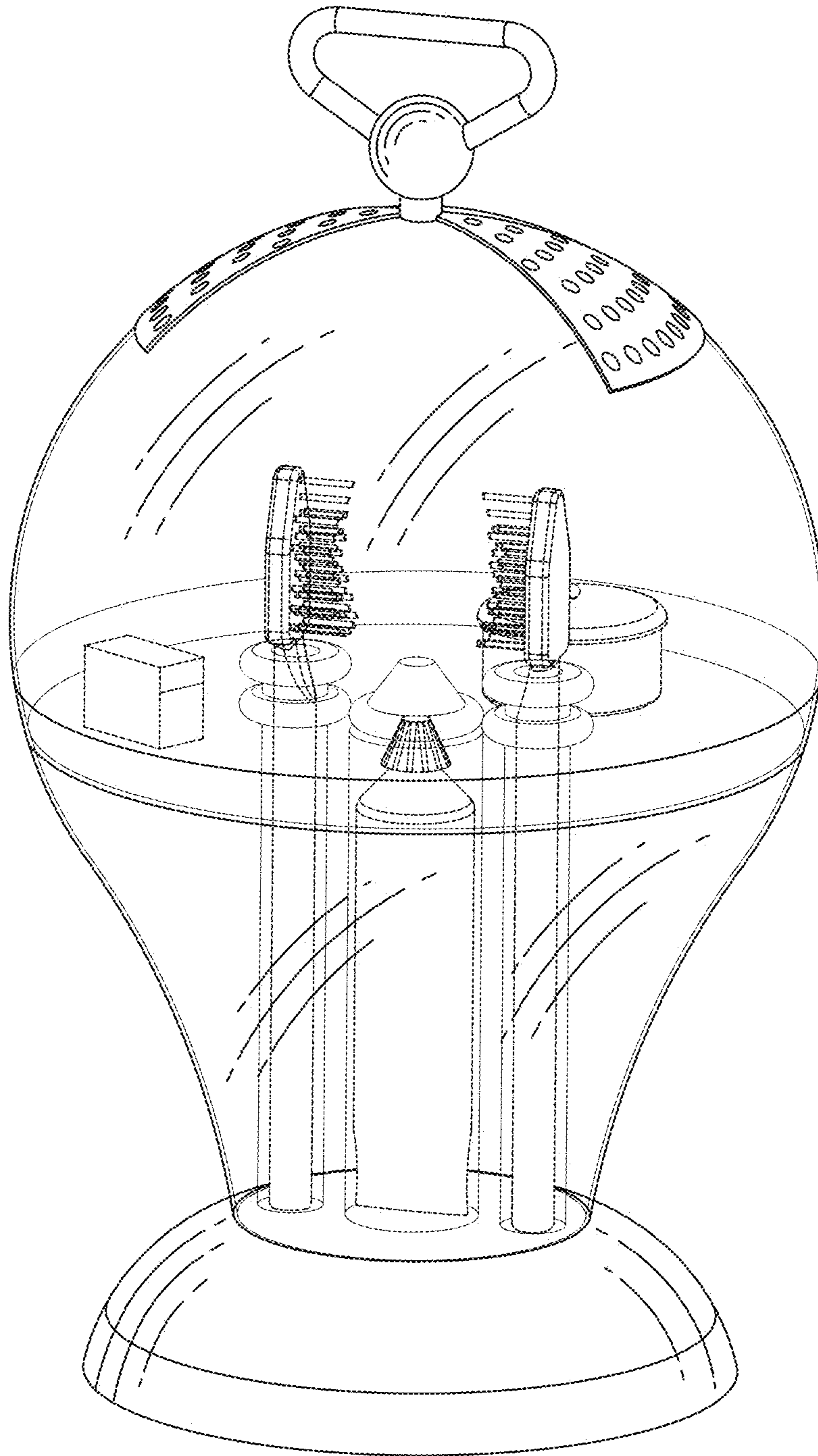


FIG.1

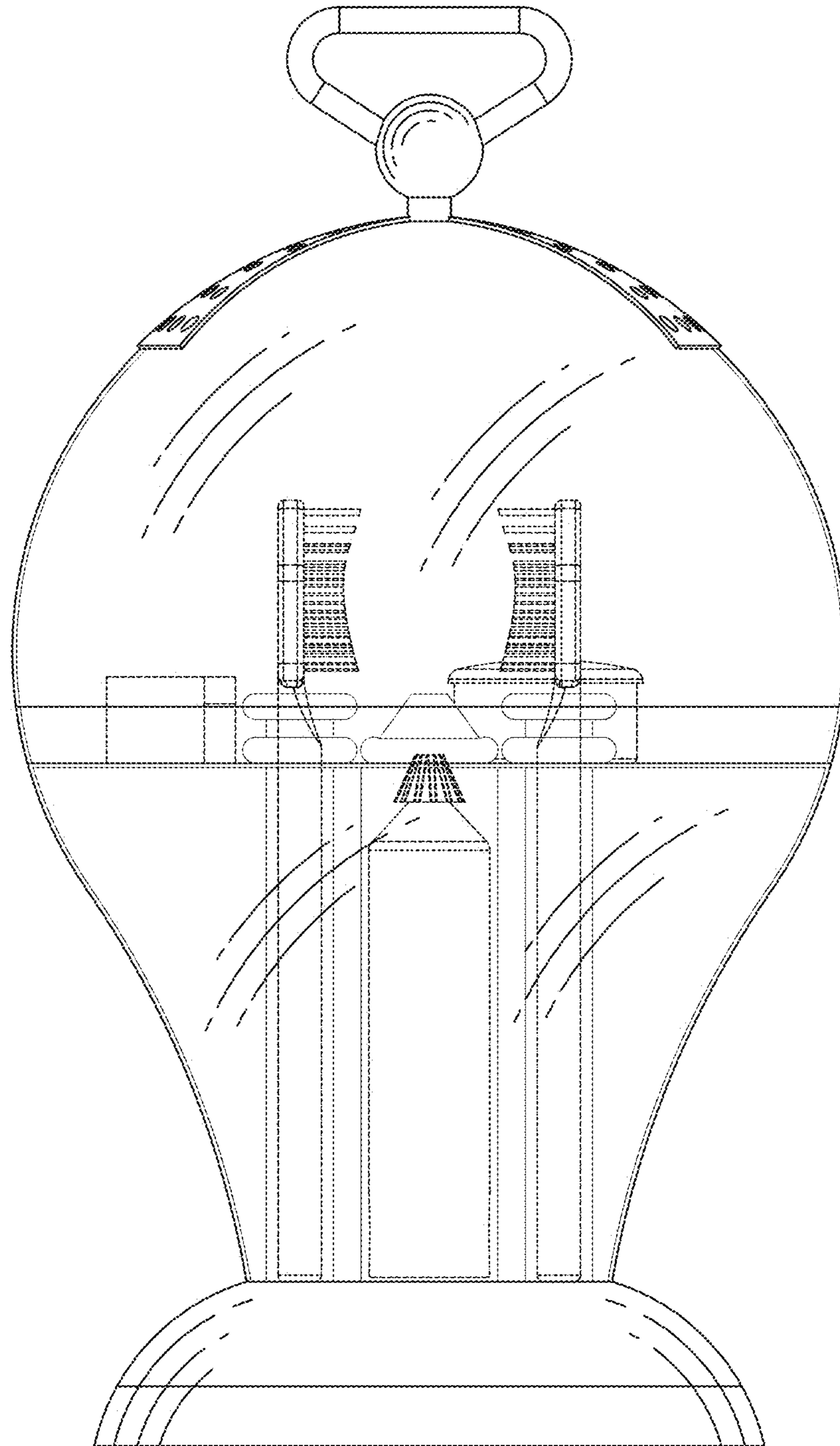


FIG. 2

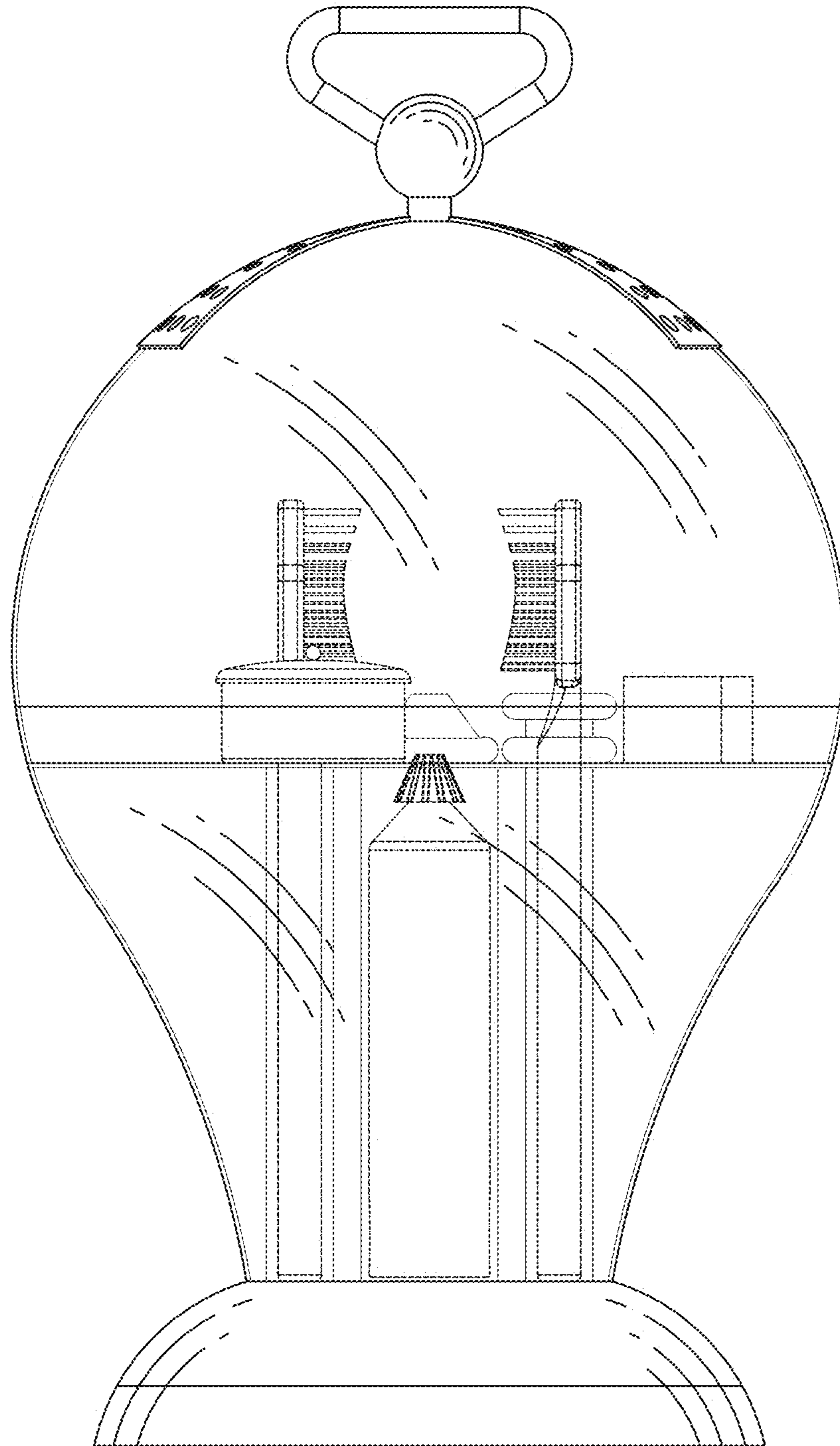


FIG.3

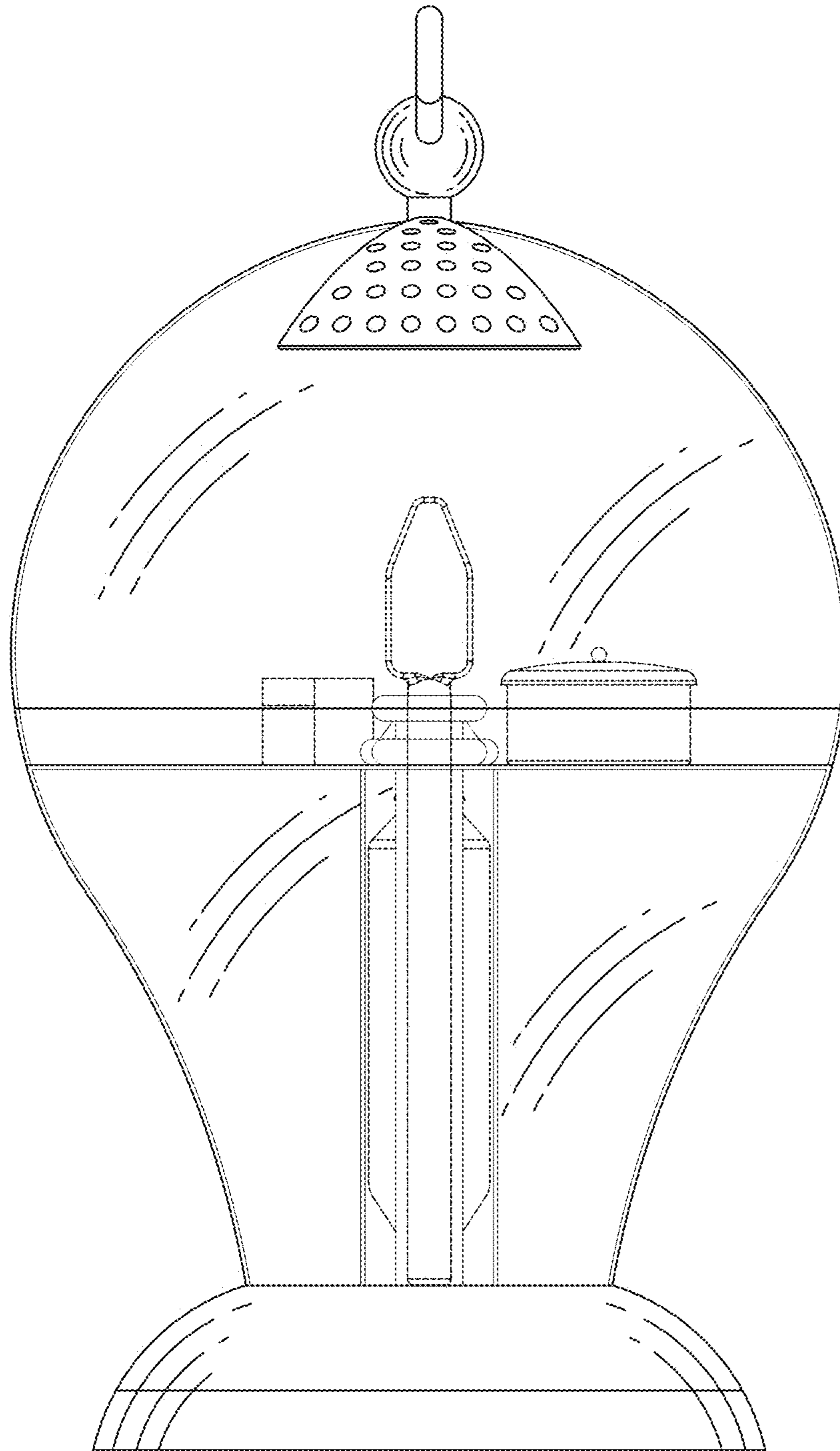


FIG. 4

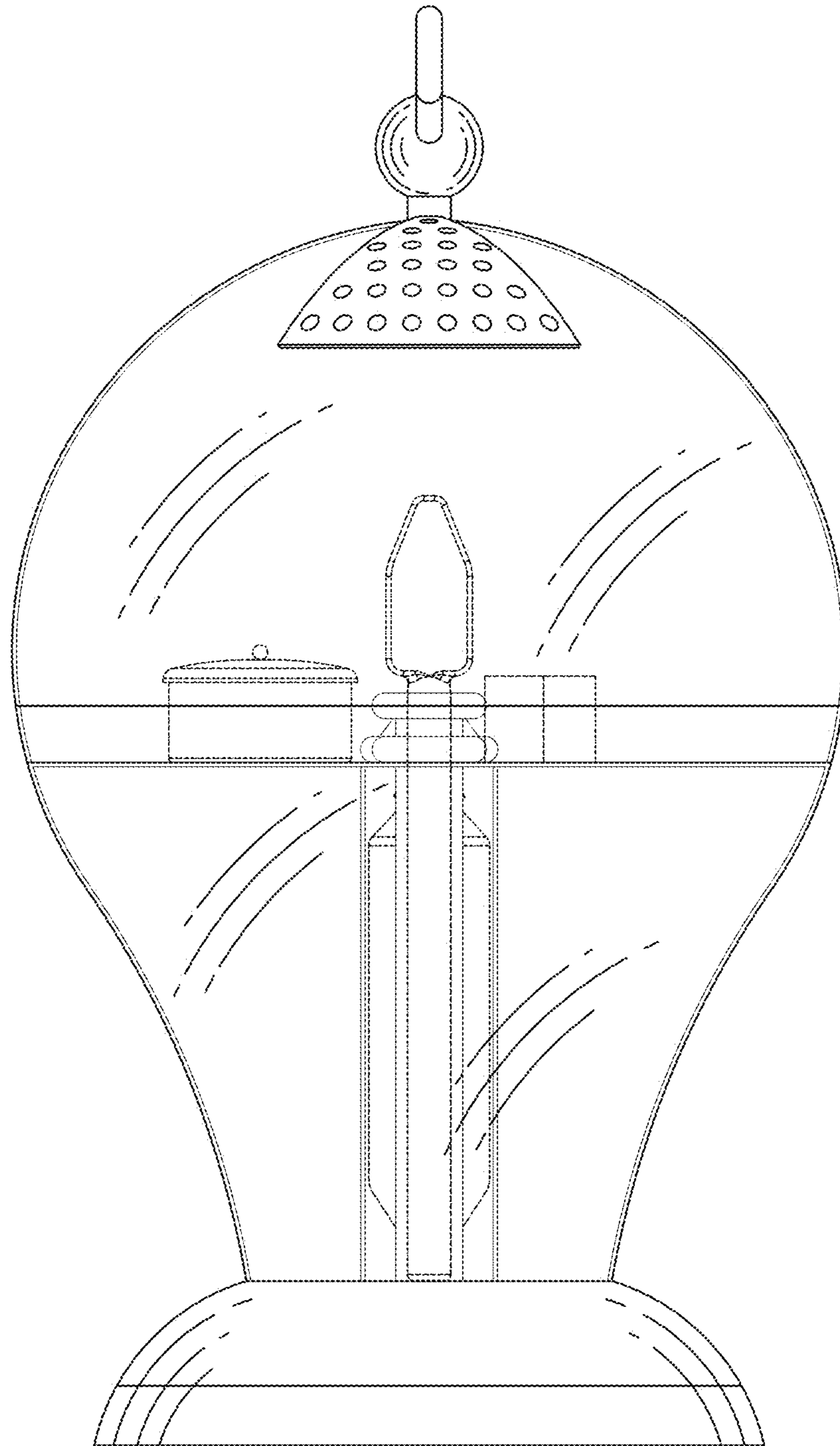


FIG. 5

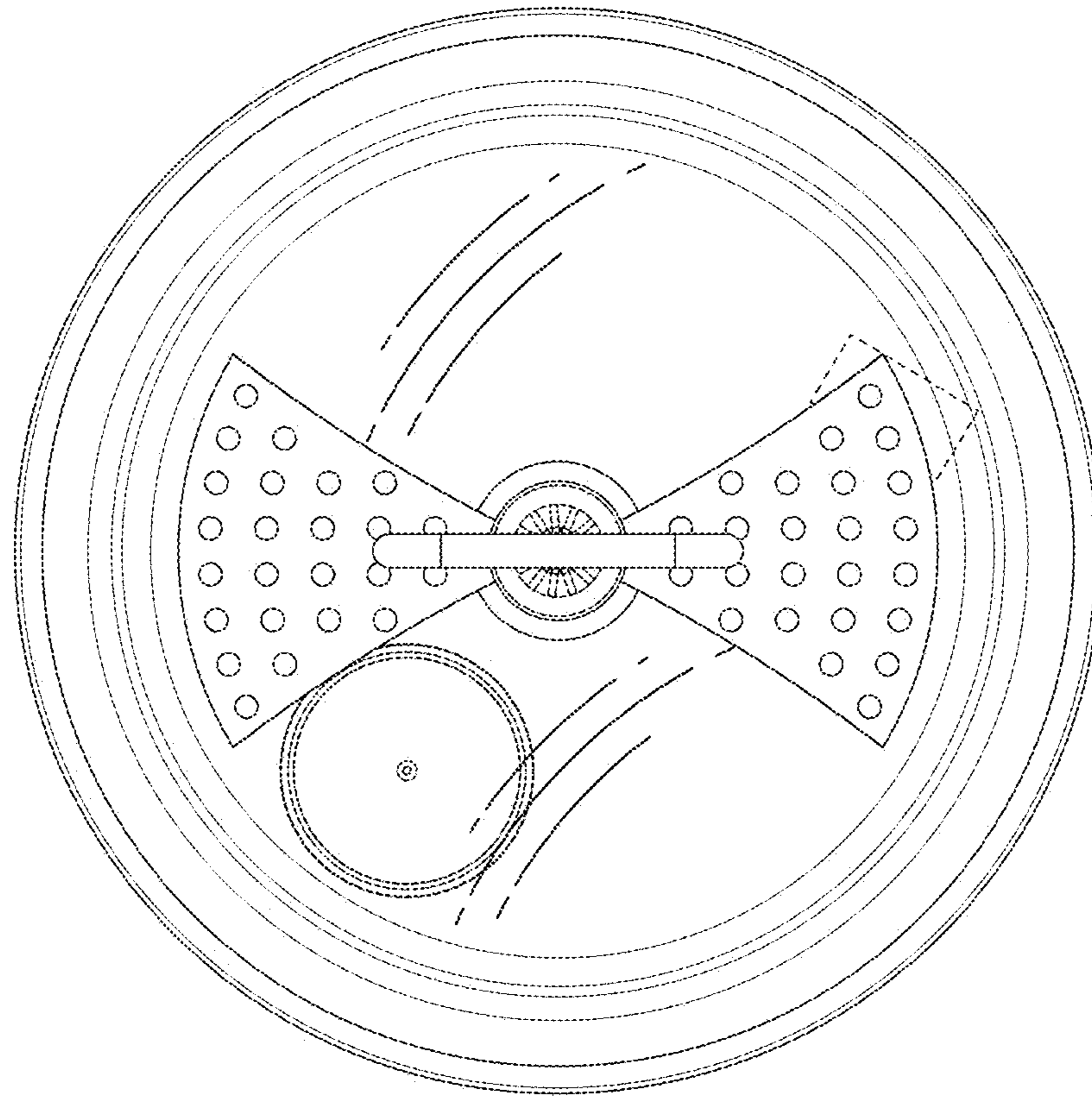


FIG.6

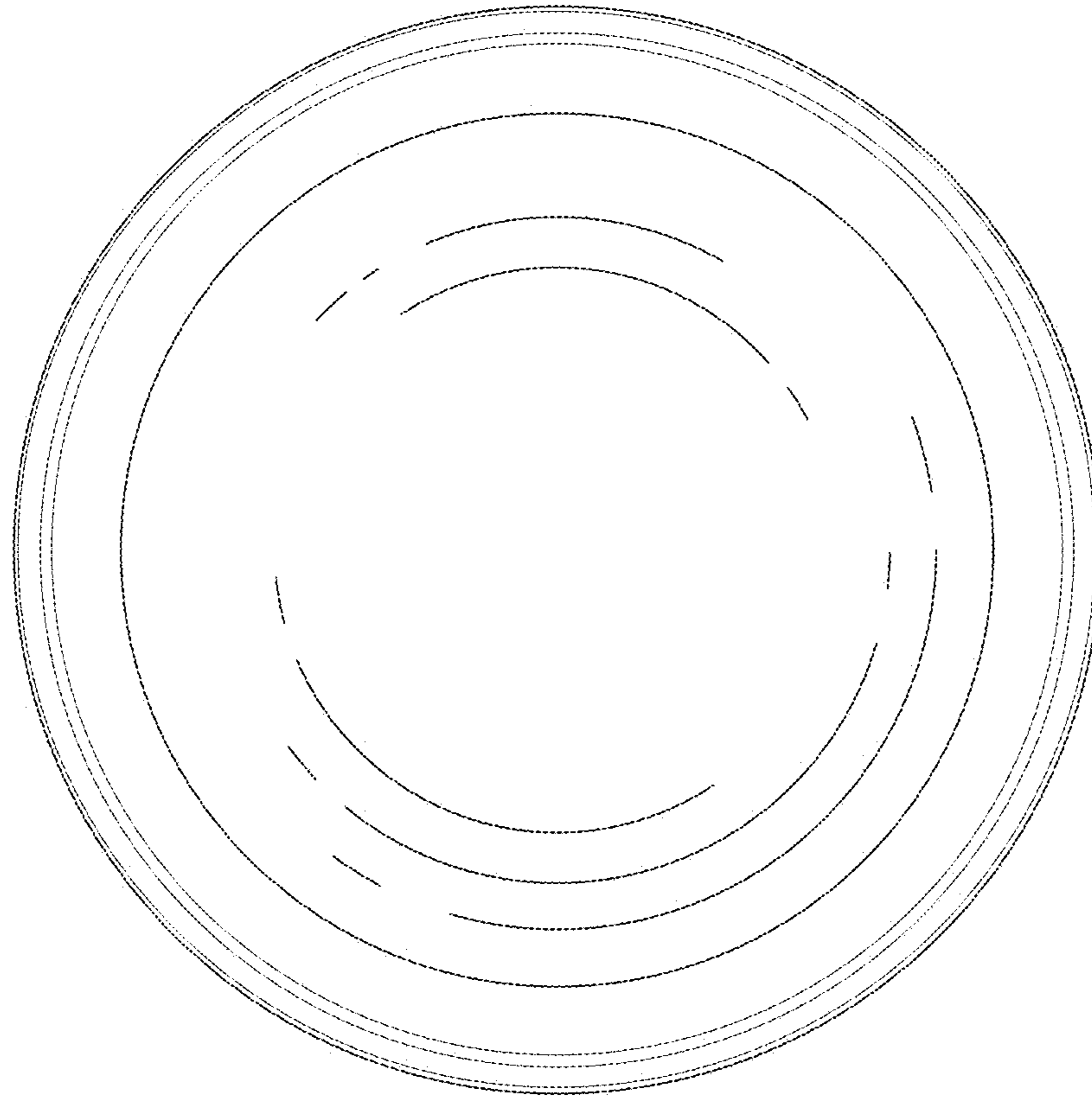


FIG.7