



US00D961284S

(12) **United States Design Patent** (10) **Patent No.:** **US D961,284 S**
Stoepker et al. (45) **Date of Patent:** **** Aug. 23, 2022**

(54) **CHAIR**

FOREIGN PATENT DOCUMENTS

(71) Applicant: **Grand Rapids Chair Company**, Byron Center, MI (US)

CN 3550037 8/2006
CN 303821529 8/2016

(Continued)

(72) Inventors: **Timothy Stoepker**, Grand Rapids, MI (US); **Sarah Gesink**, Byron Center, MI (US)

OTHER PUBLICATIONS

Commonly assigned U.S. Appl. No. 29/720,431, filed Jan. 13, 2020, entitled Chair.

(Continued)

(73) Assignee: **Grand Rapids Chair Company**, Byron Center, MI (US)

Primary Examiner — Paul D Bohannon

(**) Term: **15 Years**

(74) *Attorney, Agent, or Firm* — Gardner, Linn, Burkhardt & Ondersma LLP

(21) Appl. No.: **29/750,771**

(57) **CLAIM**

The ornamental design for the chair, substantially as shown and described.

(22) Filed: **Sep. 16, 2020**

(51) **LOC (13) Cl.** **06-01**

DESCRIPTION

(52) **U.S. Cl.**

USPC **D6/370**

(58) **Field of Classification Search**

USPC D6/369, 370, 374, 376, 379, 380, 334, D6/377; D21/521

CPC .. A47C 3/021; A47C 4/00; A47C 5/02; A47C 5/08; A47C 13/00; A47C 31/025; A47C 31/003; A47C 31/008; A47C 31/11; A47C 5/04; A47C 4/02; A47K 13/00; B60N 2/14; A47B 85/04

See application file for complete search history.

FIG. 1 is a perspective view of a chair, according to a first embodiment of the present invention; FIG. 2 is a front elevation view of the chair of FIG. 1; FIG. 3 is a left-side elevation view of the chair of FIG. 1; FIG. 4 is a rear elevation view of the chair of FIG. 1; FIG. 5 is a right-side elevation view of the chair of FIG. 1; FIG. 6 is a top plan view of the chair of FIG. 1; FIG. 7 is a bottom plan view of the chair of FIG. 1; FIG. 8 is a perspective view of a chair, according to a second embodiment of the present invention; FIG. 9 is a front elevation view of the chair of FIG. 8; FIG. 10 is a left-side elevation view of the chair of FIG. 8; FIG. 11 is a rear elevation view of the chair of FIG. 8; FIG. 12 is a right-side elevation view of the chair of FIG. 8; FIG. 13 is a top plan view of the chair of FIG. 8; and, FIG. 14 is a bottom plan view of the chair of FIG. 8.

The broken lines shown shown in the drawings are for the purpose of illustrating portions of the article and form no part of the claimed design.

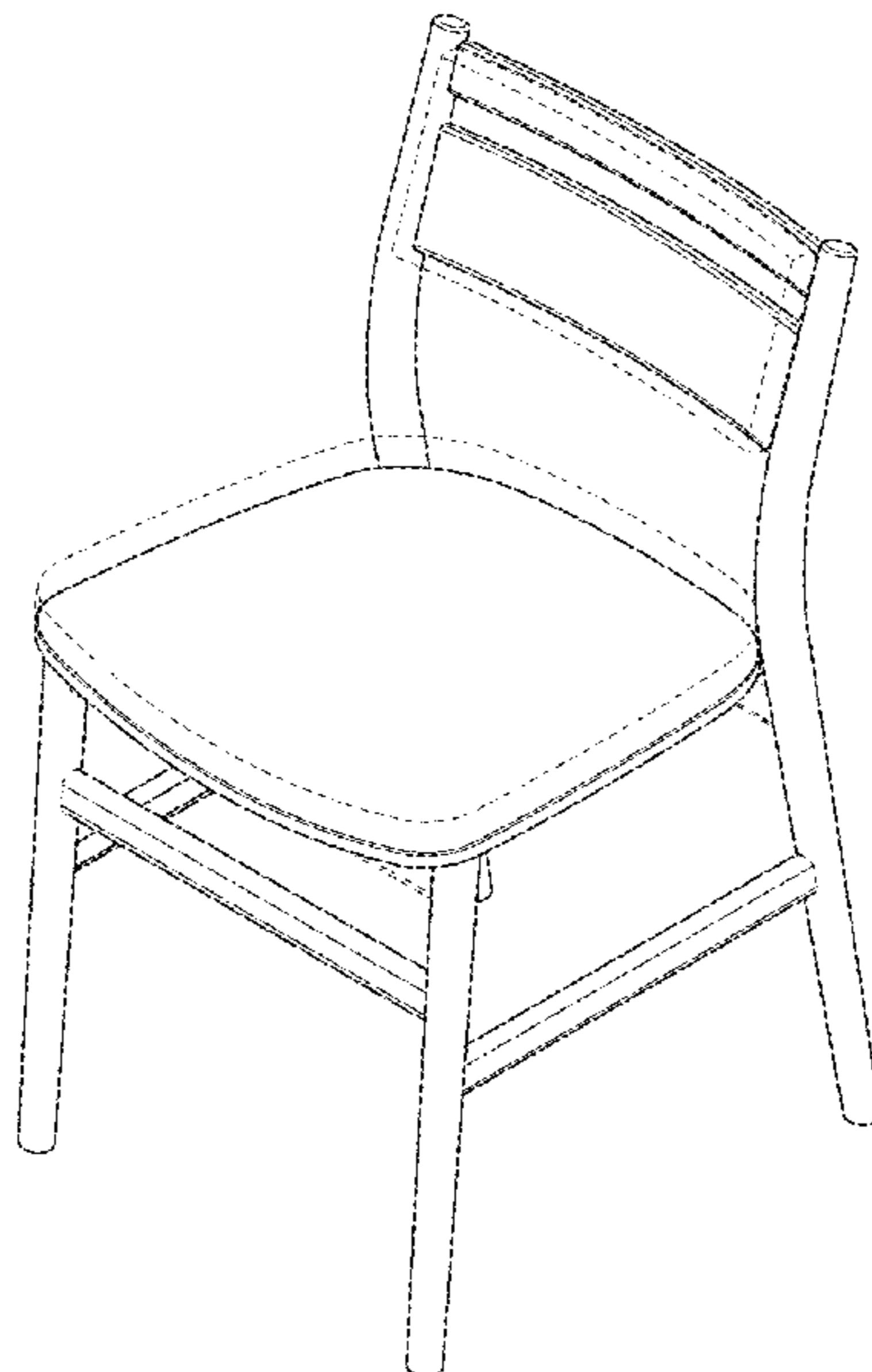
(56) **References Cited**

U.S. PATENT DOCUMENTS

749,709 A 1/1904 Stockwell
D102,030 S 11/1936 Hoffmann
D103,408 S 3/1937 Reischmann
D168,212 S 7/1952 Cicchelli
D174,623 S 5/1955 Helland

(Continued)

1 Claim, 12 Drawing Sheets



(56)

References Cited

U.S. PATENT DOCUMENTS

D177,980 S 6/1956 Kjer
 D181,099 S * 10/1957 Stevens D6/374
 D191,305 S 9/1961 Grosskopf
 D192,800 S 5/1962 Munson
 D193,657 S 9/1962 Van Buren
 D197,643 S 3/1964 Kramer
 D202,549 S 10/1965 Kramer
 D202,550 S 10/1965 Kramer
 D223,244 S 4/1972 Prashker
 3,873,154 A * 3/1975 Baker, Jr. A47C 5/12
 297/447.4
 D239,988 S 5/1976 Dittert
 D240,780 S 8/1976 Dittert
 4,032,190 A 6/1977 Mueller-Deisig et al.
 D255,183 S 6/1980 Locher
 D255,293 S 6/1980 Locher
 D259,078 S 5/1981 Deconinck
 D268,799 S 5/1983 Feldberg
 D272,393 S 1/1984 Klier
 D279,155 S 6/1985 Aronowitz et al.
 D307,221 S 4/1990 Mudge
 D333,925 S * 3/1993 Ricchio, Jr. D6/370
 D339,940 S 10/1993 Balderi et al.
 D346,911 S 5/1994 Lucci et al.
 D349,196 S 8/1994 Lohmeyer
 D357,592 S 4/1995 Kellen
 D372,132 S 7/1996 Infanti
 D375,848 S 11/1996 Grosfillex
 D381,828 S 8/1997 Kemnitzer
 D385,119 S 10/1997 Chipman
 D396,759 S 8/1998 Duenkelsbuehler
 D422,806 S 4/2000 Neil
 D423,807 S 5/2000 Bartlmae
 D512,236 S 12/2005 Preisig
 D512,238 S 12/2005 Chen
 D513,889 S 1/2006 Peterson et al.
 D524,071 S 7/2006 Brooks
 7,118,175 B2 10/2006 Crue
 D531,420 S 11/2006 Kita
 D535,134 S 1/2007 Muller
 D544,228 S 6/2007 Bartlmae
 7,278,687 B2 * 10/2007 Crue A47C 3/04
 248/188.4
 D559,570 S 1/2008 Higgs et al.
 D566,979 S 4/2008 Cox et al.
 D572,049 S 7/2008 Kerr
 D572,928 S 7/2008 Rittfeldt et al.
 D582,692 S 12/2008 Kerr
 D588,826 S 3/2009 Ricchio
 D597,757 S 8/2009 Barbieri
 D597,758 S 8/2009 Barrett
 D599,568 S * 9/2009 Lievore D6/334
 D609,036 S 2/2010 Miller et al.
 D611,740 S 3/2010 Koh
 D616,658 S * 6/2010 Niermeyer D6/368
 D630,449 S * 1/2011 Kelemer D6/368

D643,652 S 8/2011 Piretti
 D644,849 S 9/2011 Sienkowski et al.
 D646,087 S 10/2011 Miller et al.
 D647,320 S * 10/2011 Young D6/380
 D648,566 S 11/2011 Sienkowski et al.
 8,112,868 B2 2/2012 Miller
 D659,424 S 5/2012 Gramza et al.
 D659,444 S 5/2012 James
 D660,612 S * 5/2012 Smith D6/374
 D663,131 S 7/2012 Barefoot et al.
 D665,188 S 8/2012 Schweikarth
 D672,975 S 12/2012 Rashid
 D683,558 S 6/2013 Rada et al.
 D686,425 S 7/2013 Behrens et al.
 D686,836 S 7/2013 Mascetti et al.
 D701,719 S 4/2014 Haase et al.
 D707,461 S 6/2014 Rada et al.
 D723,826 S 3/2015 Kaloustian et al.
 D726,434 S 4/2015 Ye
 D737,618 S 9/2015 Kaloustian et al.
 D739,663 S * 9/2015 Yuglich D6/380
 D741,618 S 10/2015 Haase et al.
 D746,610 S * 1/2016 Moe D6/380
 D747,611 S 1/2016 Haase et al.
 9,301,612 B2 4/2016 Kaloustian et al.
 D779,219 S 2/2017 Miller
 D784,036 S 4/2017 Ruiter et al.
 D798,075 S 9/2017 Foley
 D799,848 S 10/2017 Morrison
 D815,450 S * 4/2018 Novak D6/374
 D817,015 S 5/2018 Jeffery et al.
 D822,418 S * 7/2018 Swy D6/708
 D830,714 S 10/2018 Ruiter et al.
 D886,474 S 6/2020 Jeffrey et al.
 D894,627 S * 9/2020 Hughes D6/374
 D894,628 S * 9/2020 Del Portillo D6/380
 D898,399 S 10/2020 James et al.
 D899,120 S * 10/2020 Del Portillo D6/360
 2007/0188005 A1 * 8/2007 Crue A47C 4/028
 297/440.1
 2009/0212607 A1 8/2009 Kaloustian et al.
 2011/0278889 A1 11/2011 Sienkowski et al.

FOREIGN PATENT DOCUMENTS

CN 304632980 5/2018
 CN 304823895 9/2018
 EM 000967294-0020 8/2008

OTHER PUBLICATIONS

GR Chair, Hula Outdoor Chair, [online]retrieved May 4, 2020, available from intrenet, <https://grandpraidchair.com/product/hula-outdoor-chair/?spec-sheet+1> (Year: 2020).
 Haldane Martin, Hula Chair, Date first available, Nov. 23, 2018, [online]retrieved May 4, 2020, available from Intrenet, <https://www.instagram.com/haldanemartin/> (Year: 2018).

* cited by examiner

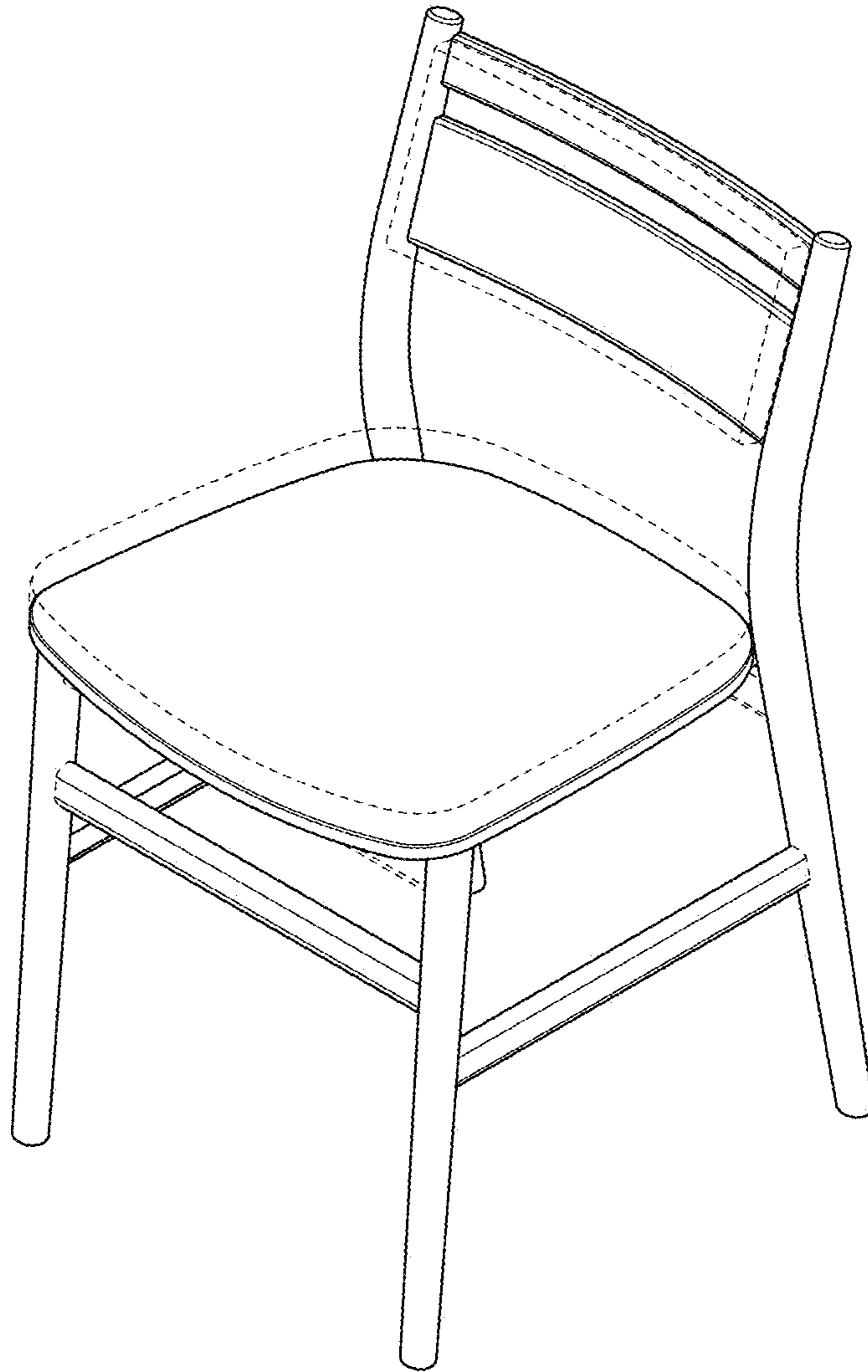


FIG. 1

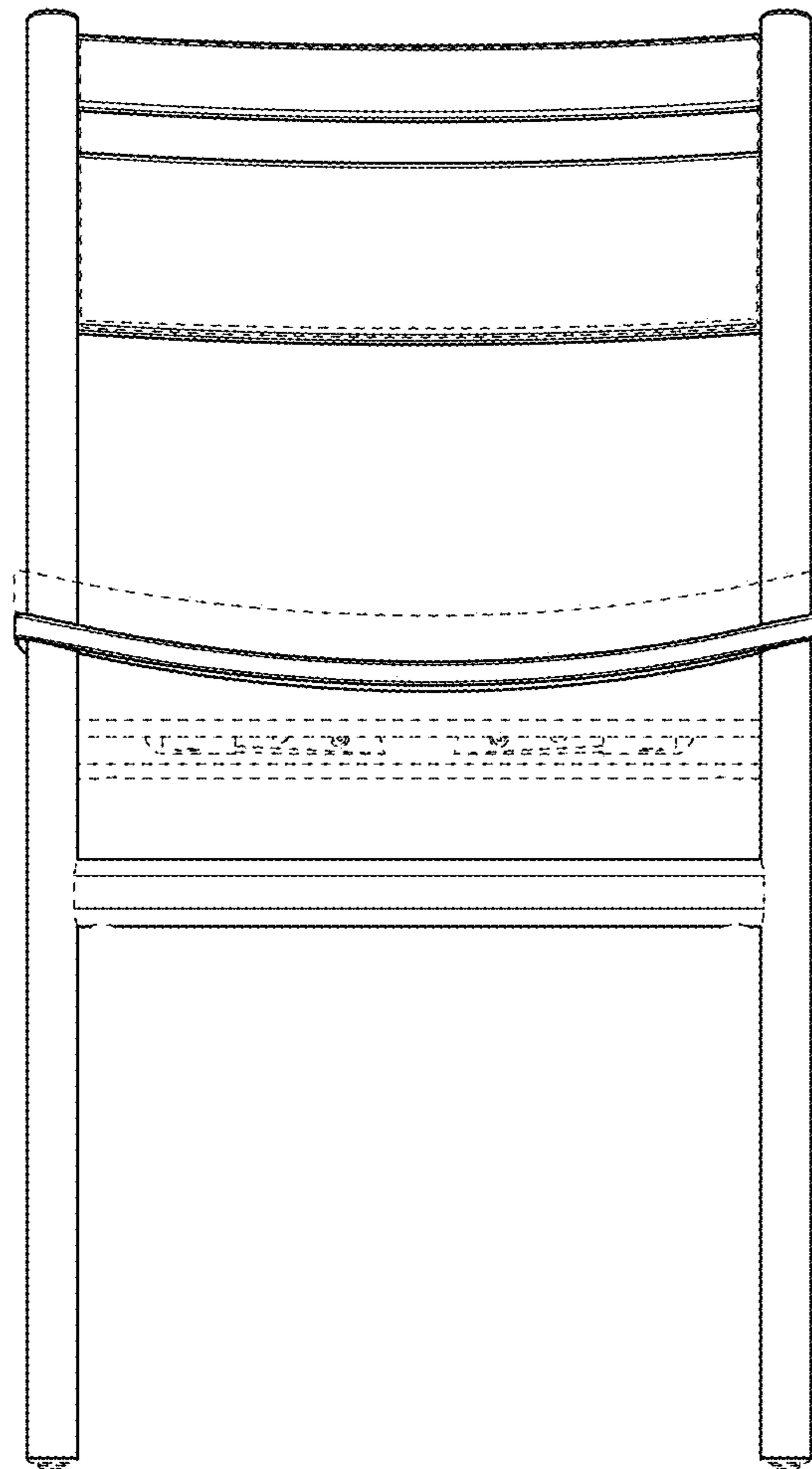


FIG. 2

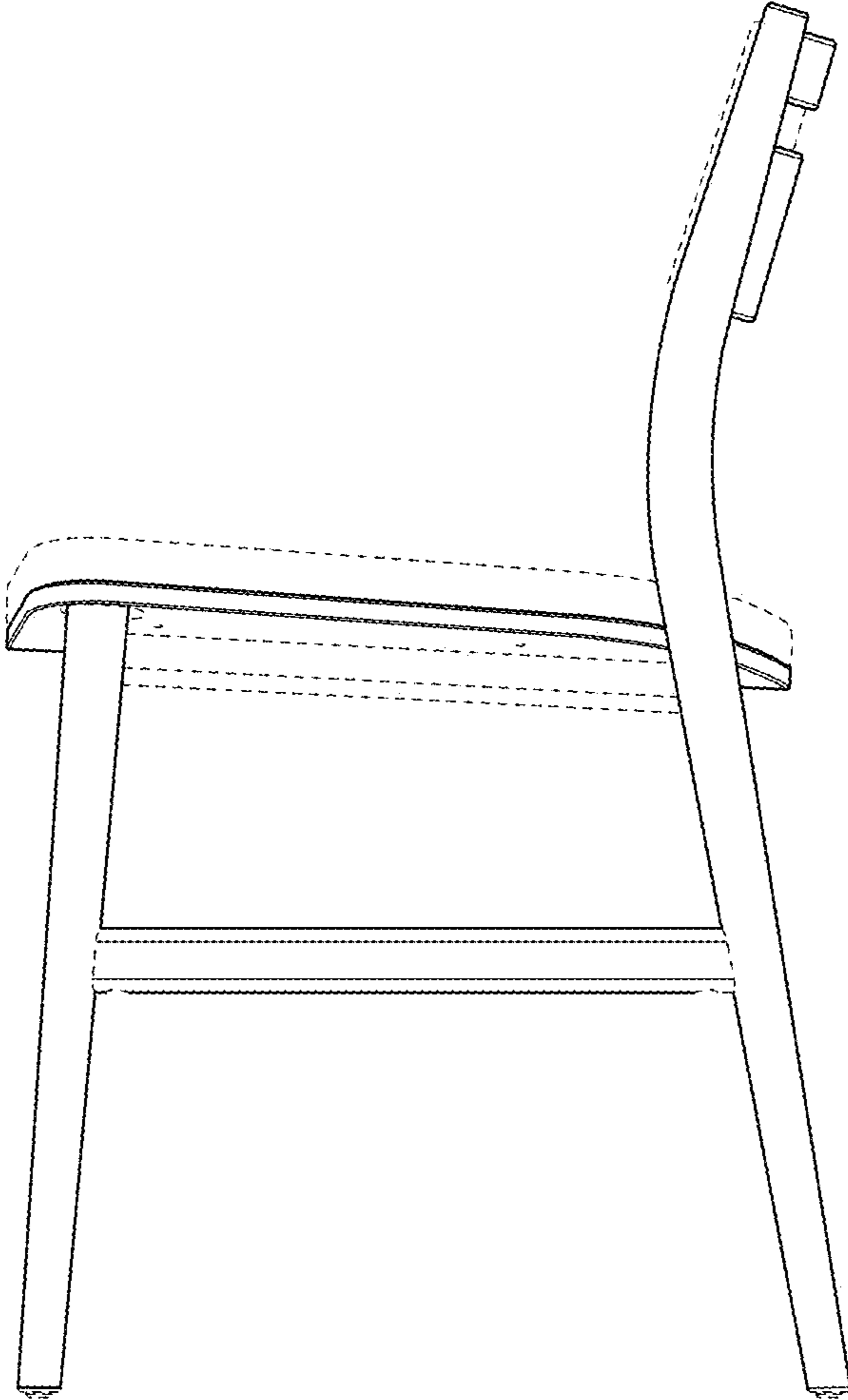


FIG. 3

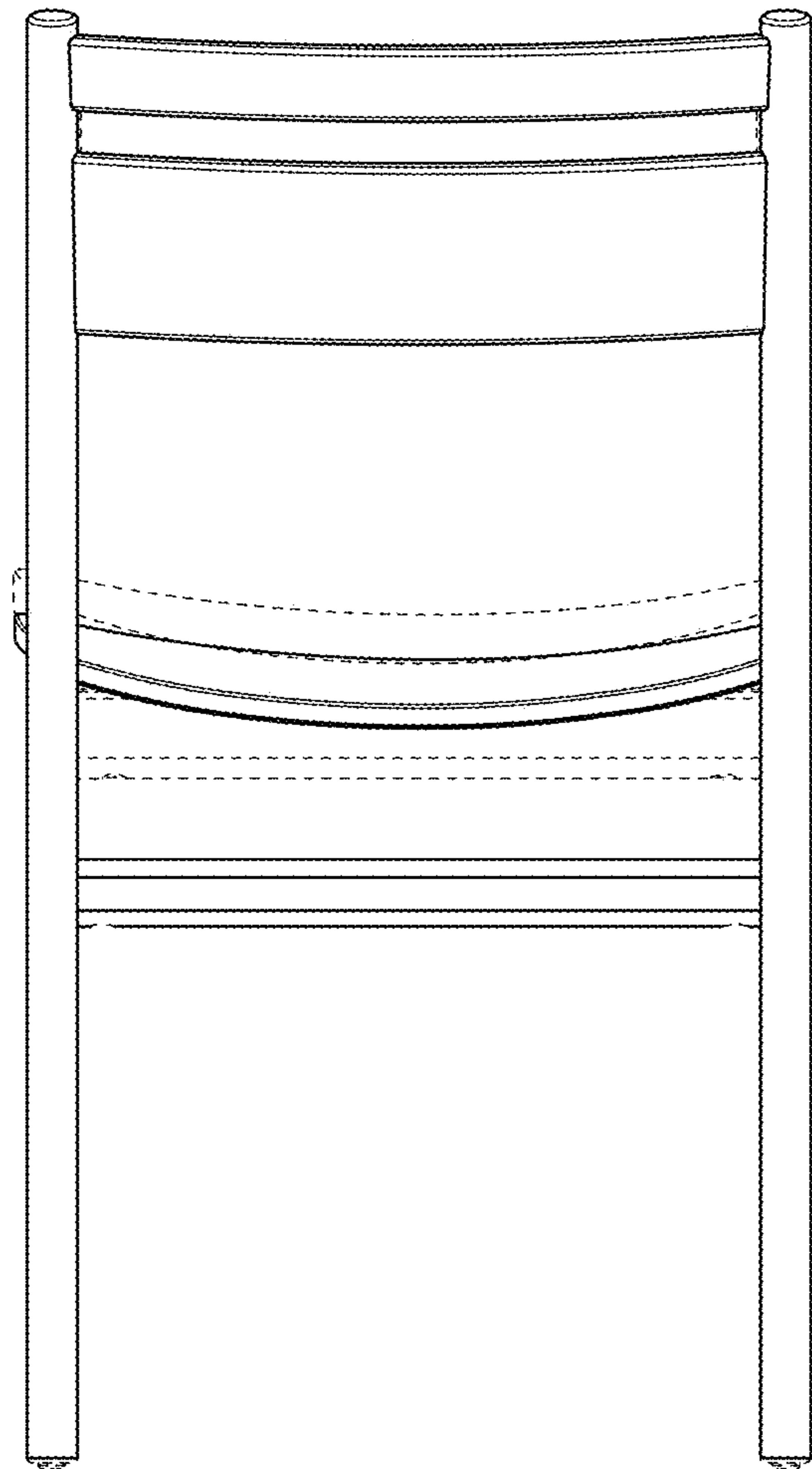


FIG. 4

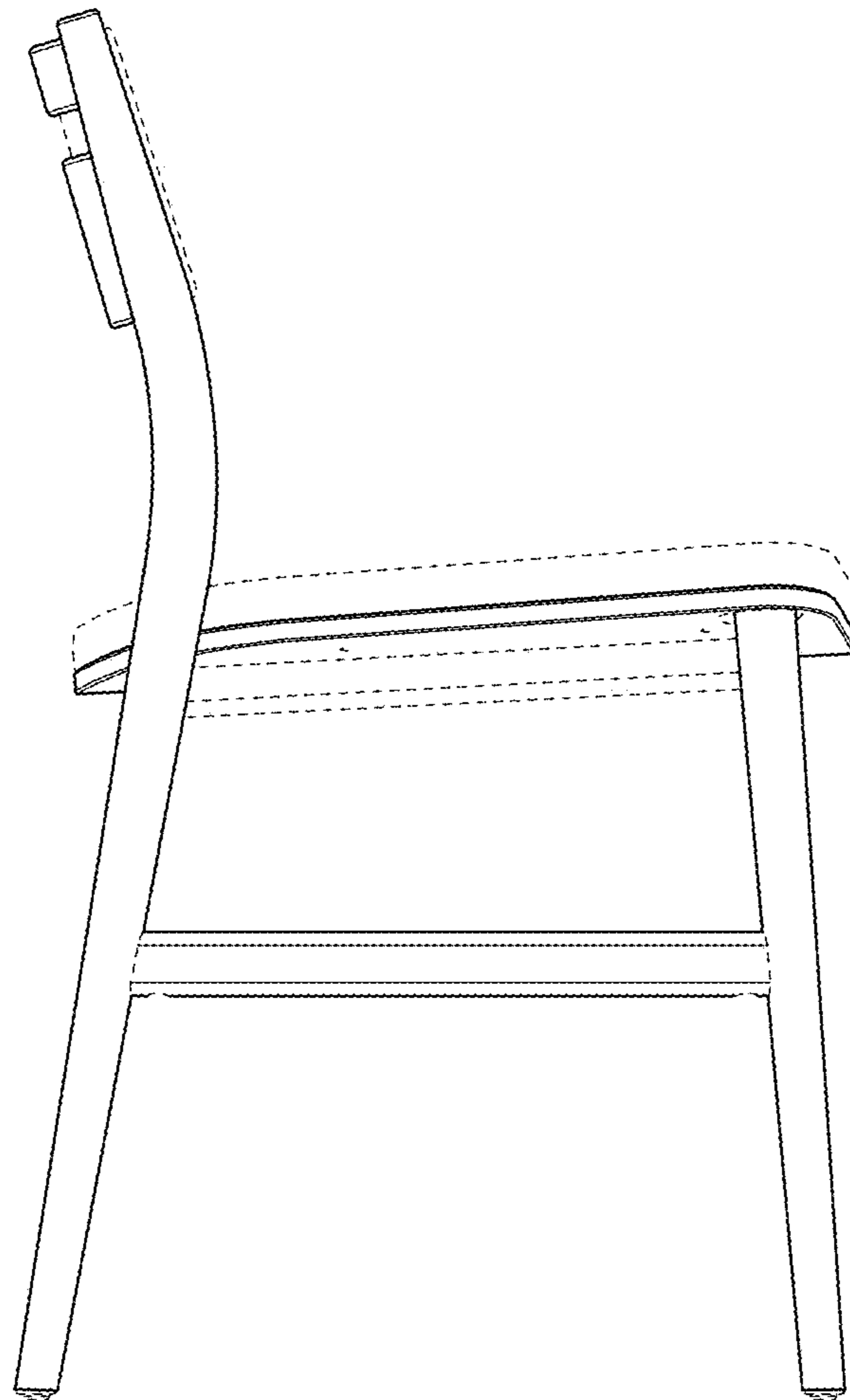


FIG. 5

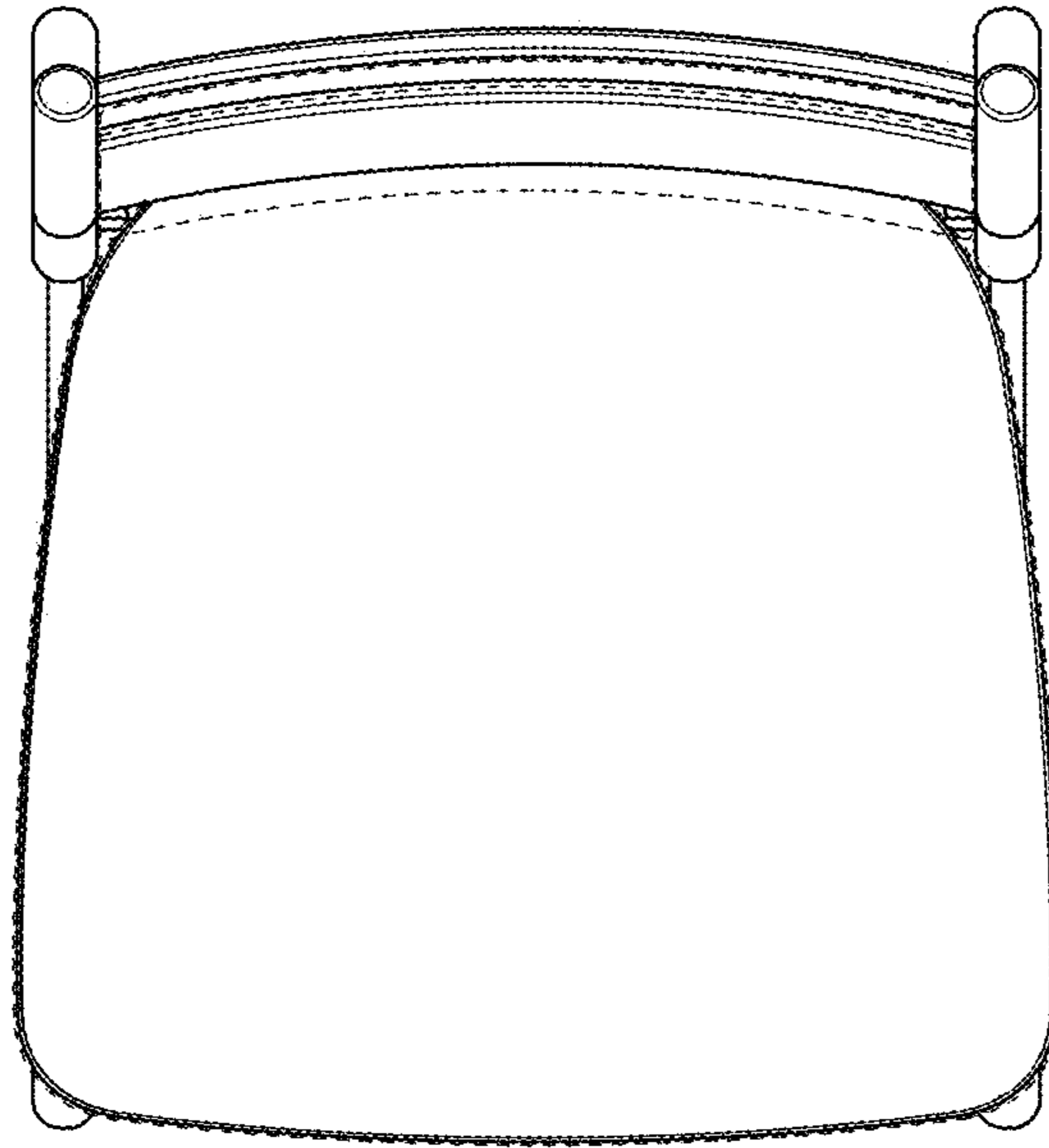


FIG. 6

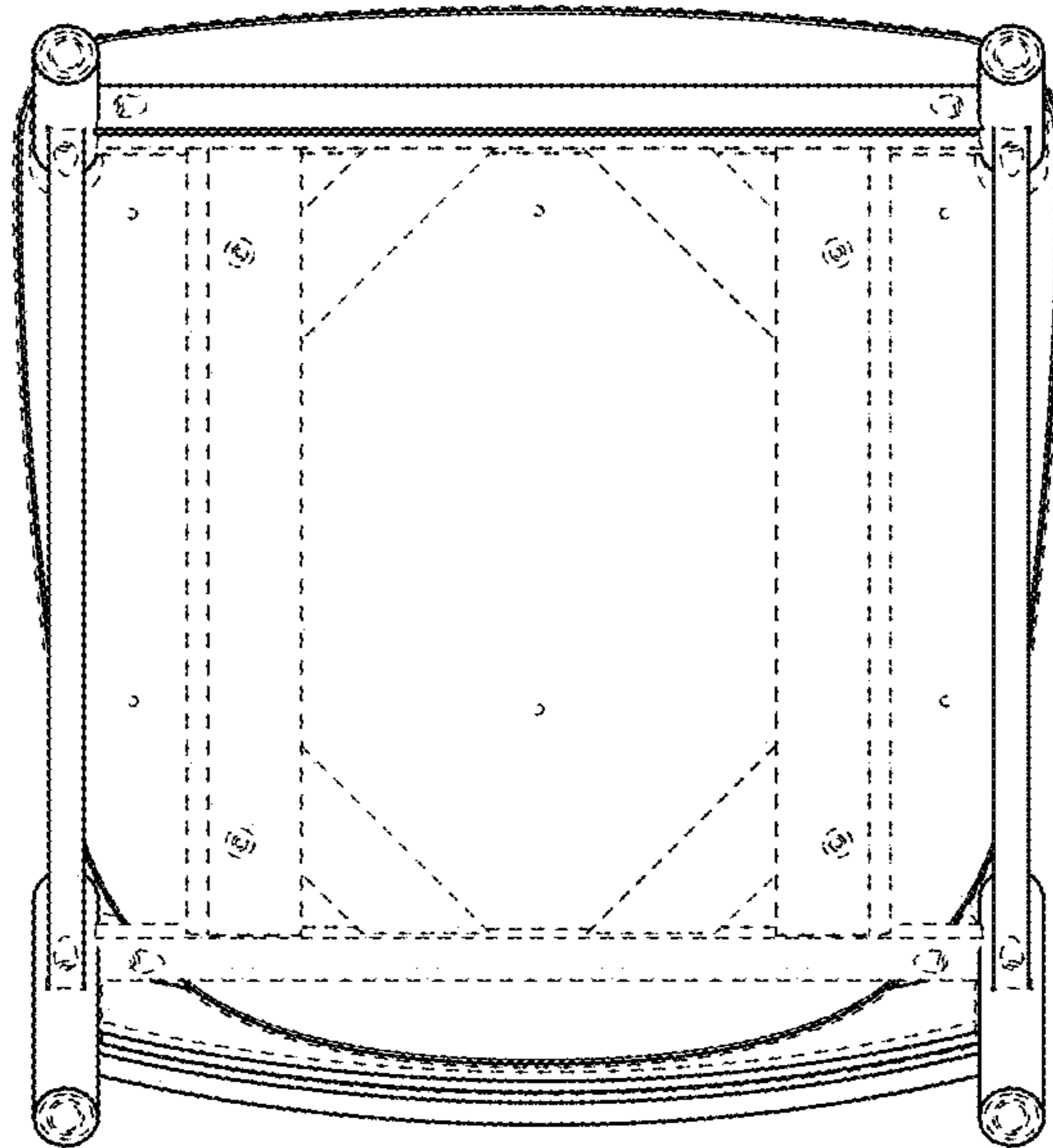


FIG. 7

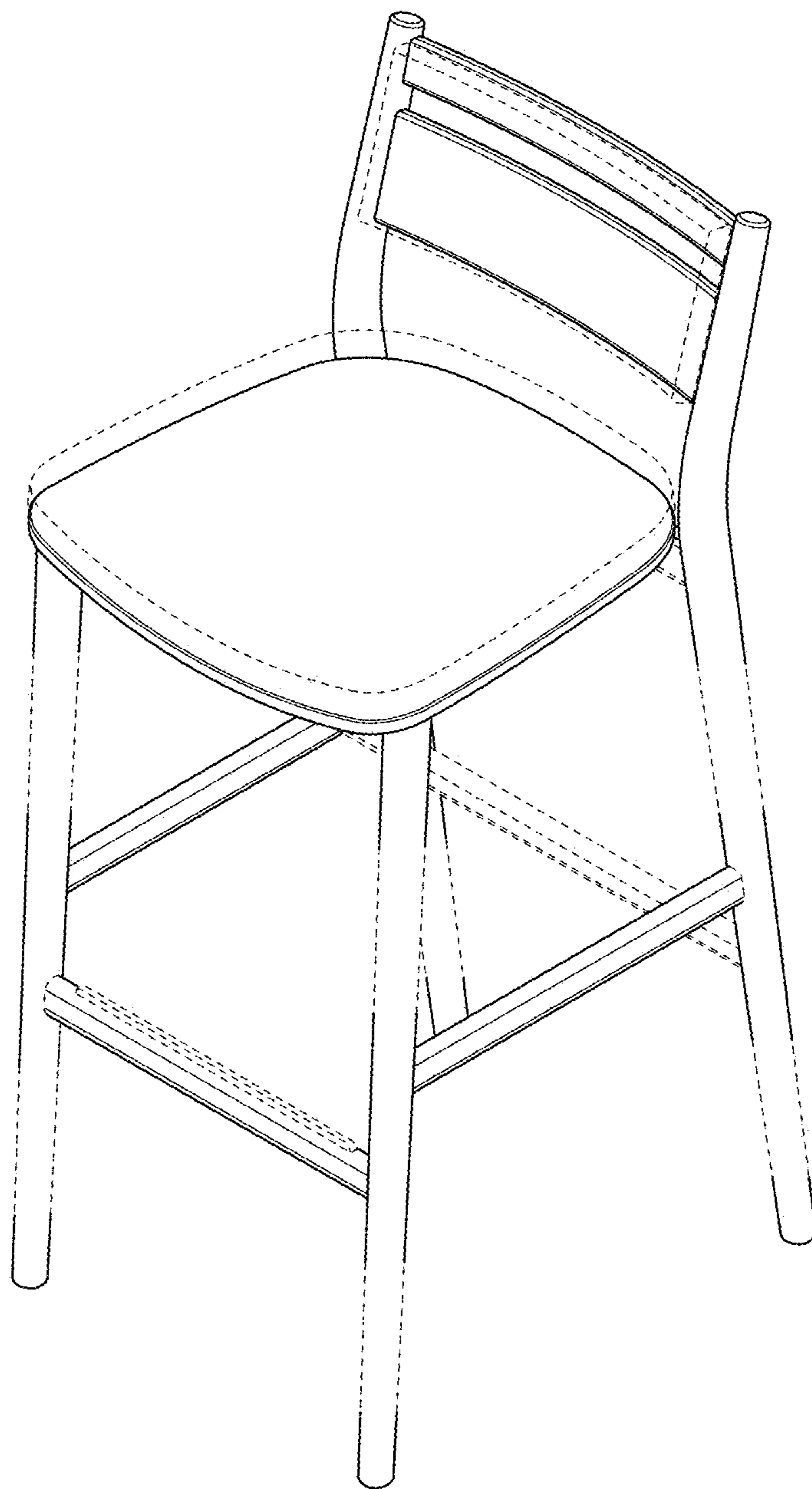


FIG. 8

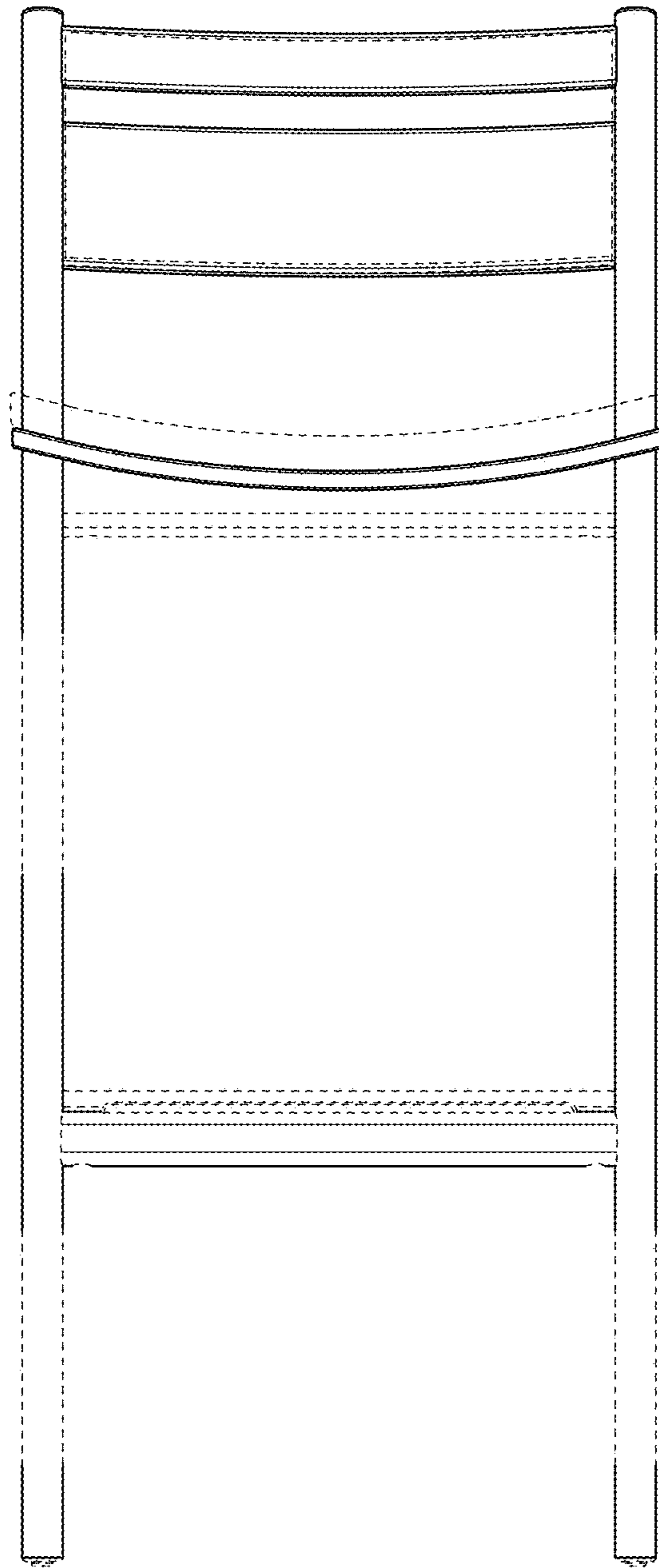


FIG. 9

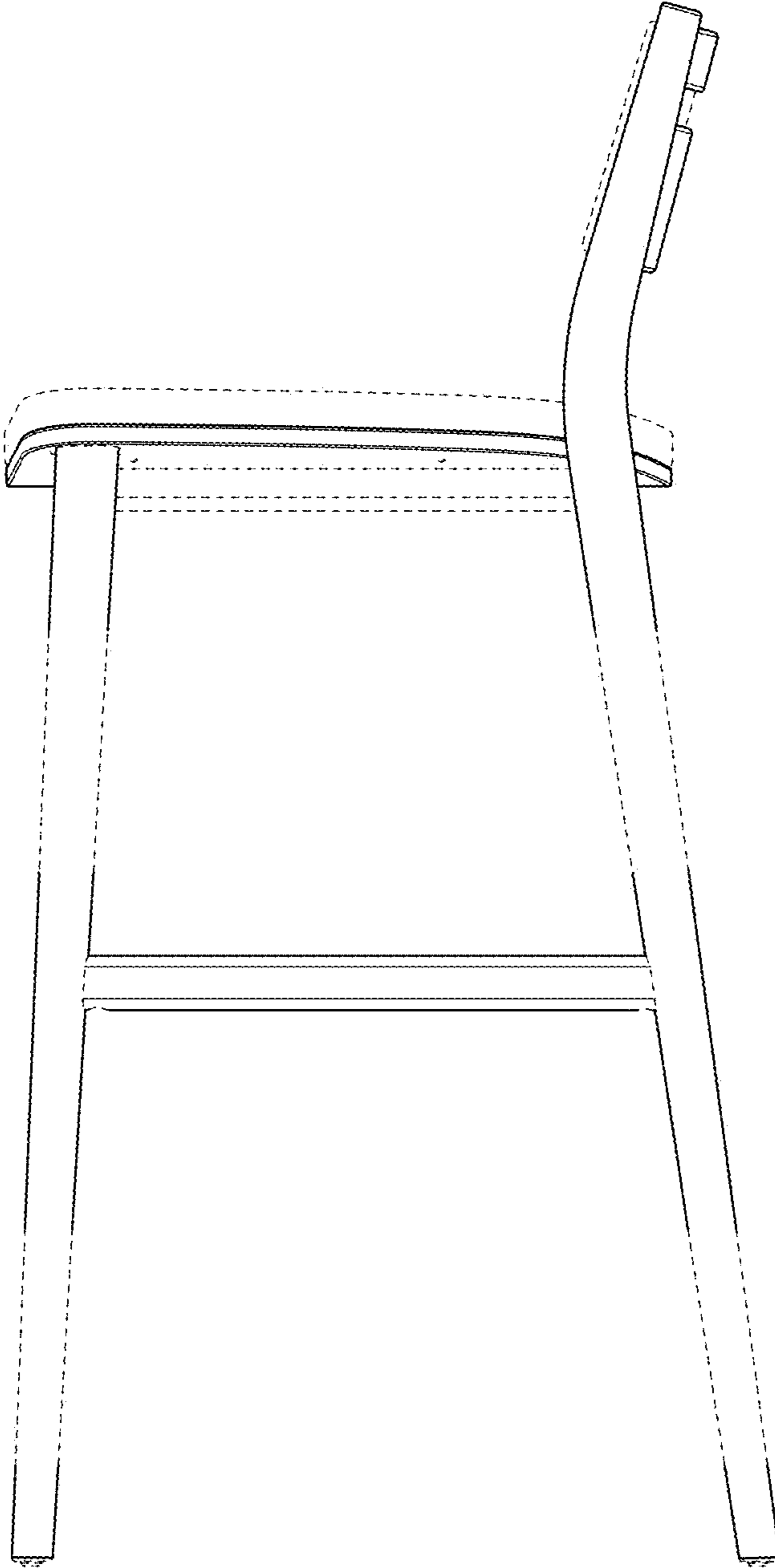


FIG. 10

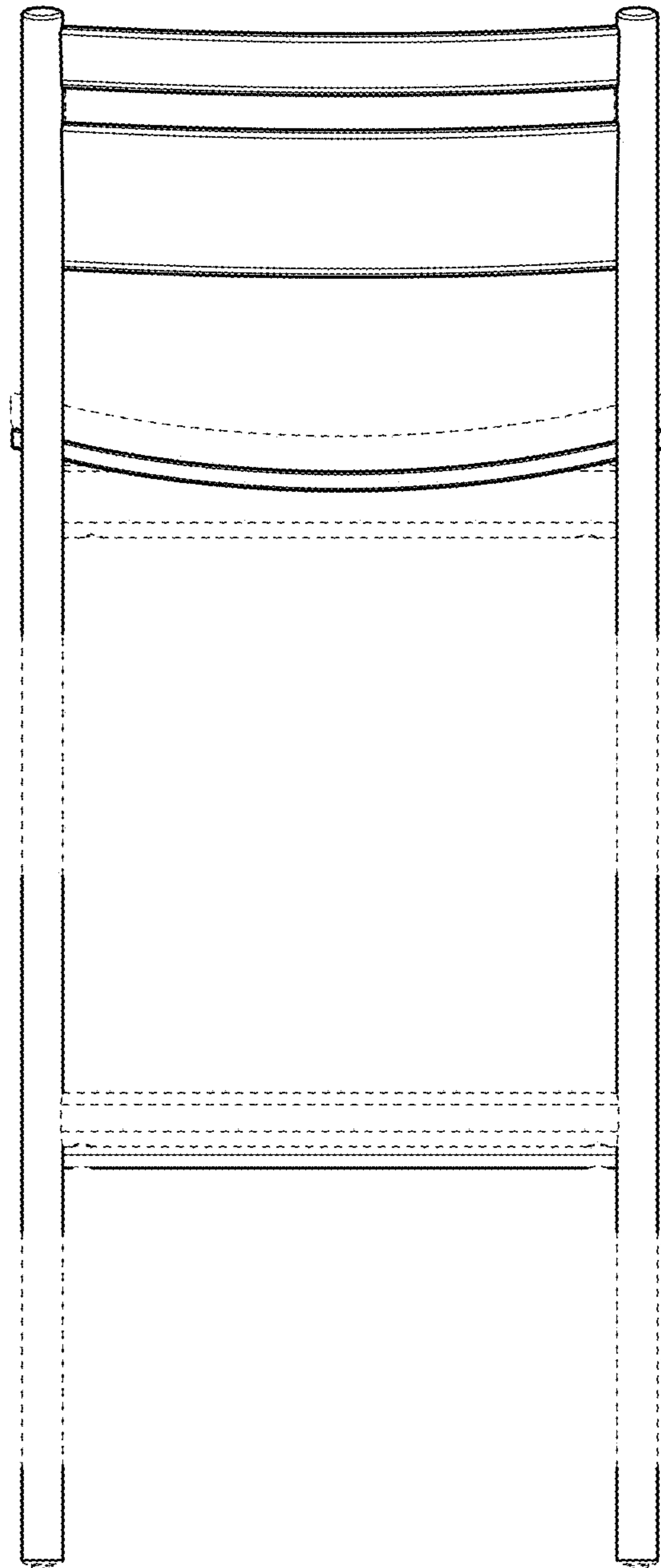


FIG. 11

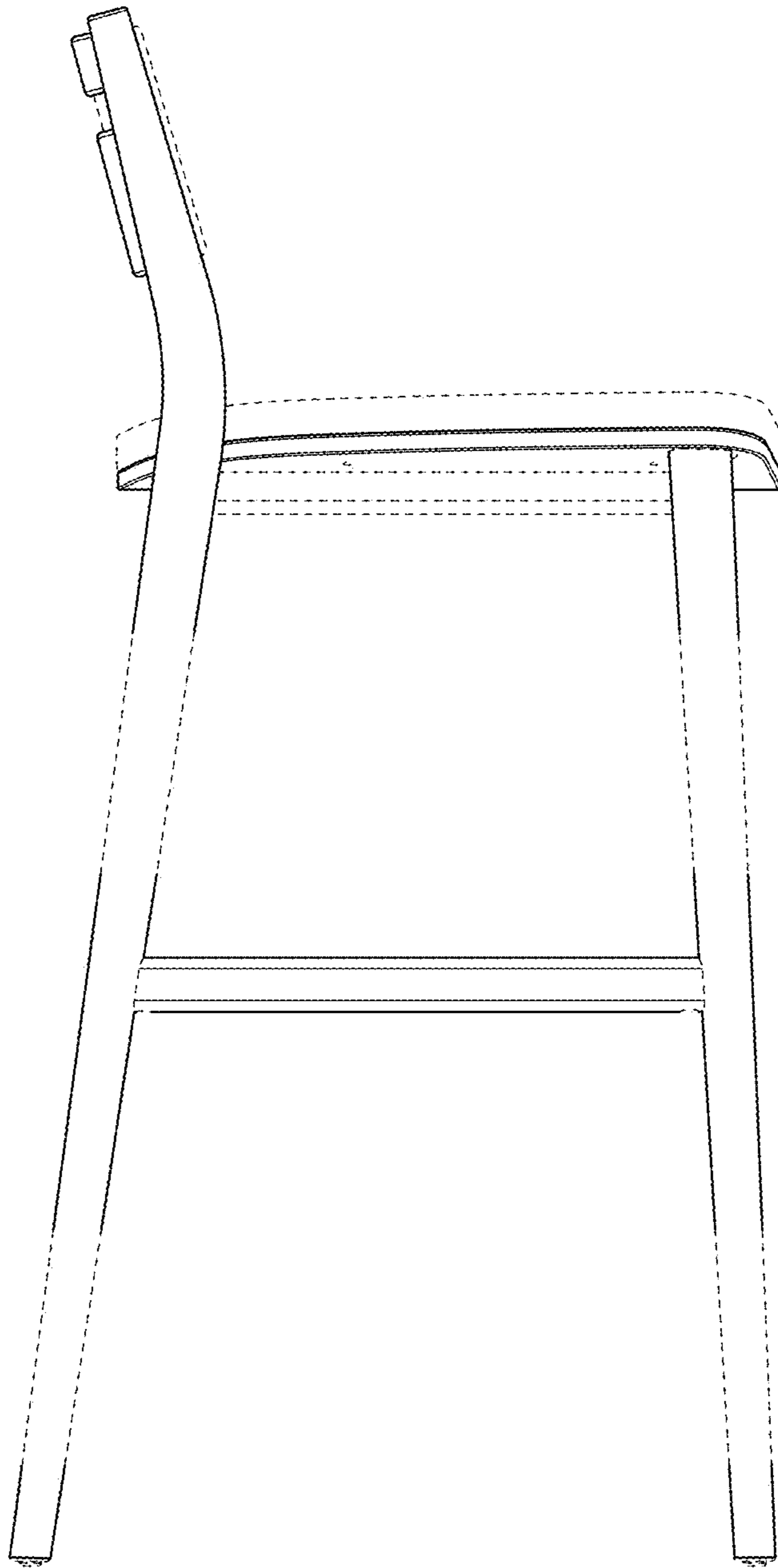


FIG. 12

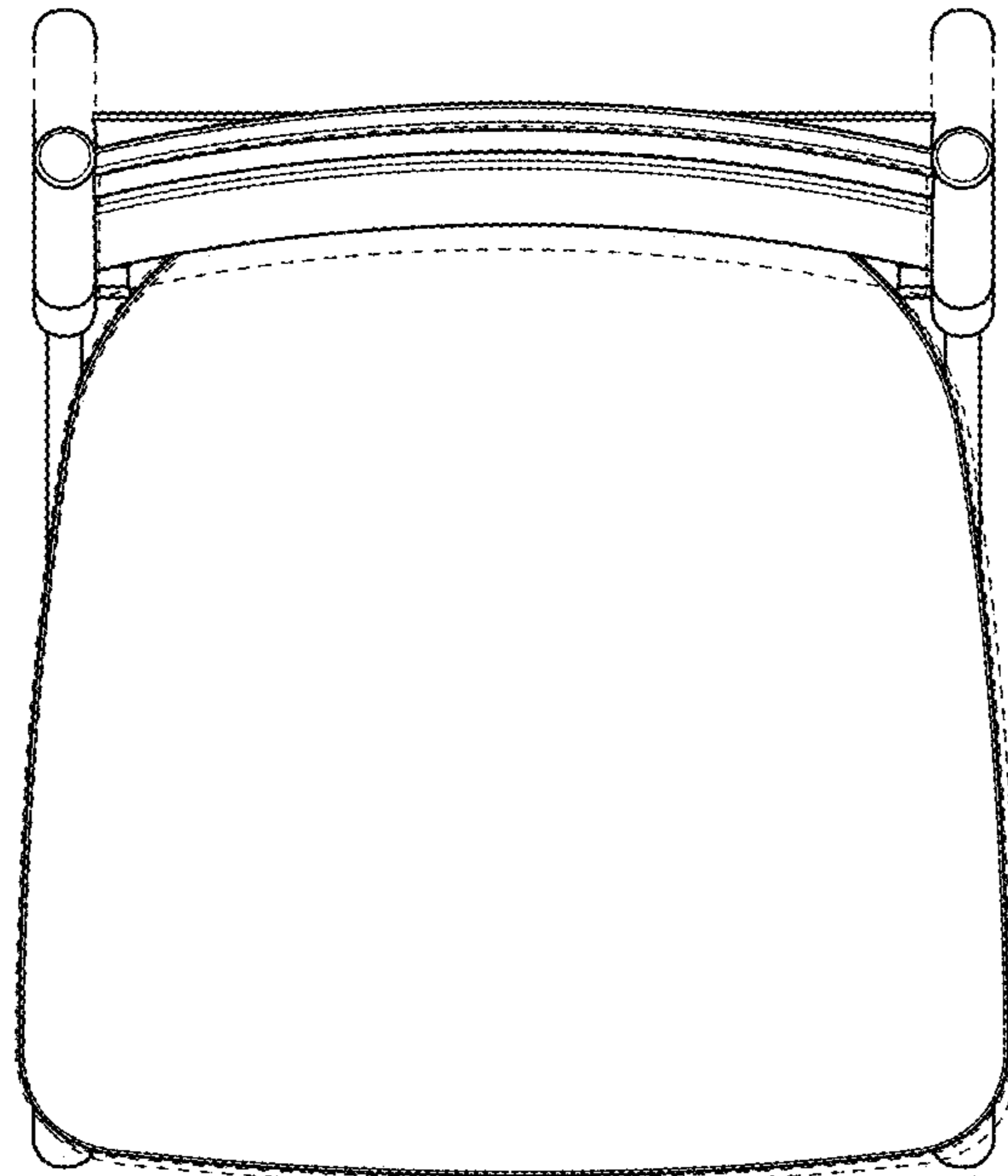


FIG. 13

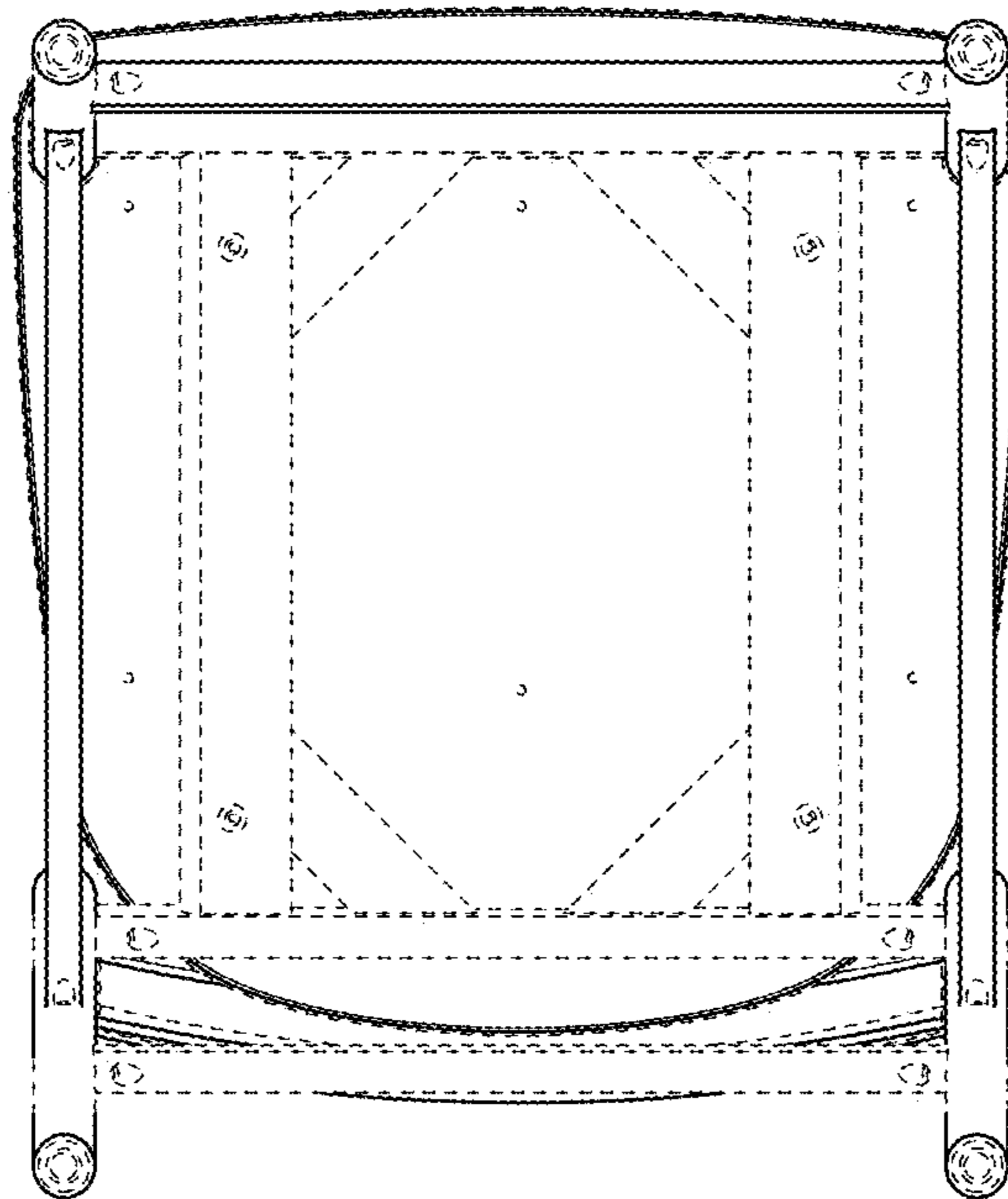


FIG. 14