



US00D961283S

(12) **United States Design Patent**  
**Warren et al.**

(10) **Patent No.:** **US D961,283 S**

(45) **Date of Patent:** **\*\* Aug. 23, 2022**

(54) **SEAT**

(71) Applicant: **Telescope Casual Furniture, Inc.**,  
Granville, NY (US)

(72) Inventors: **Jacob S. Warren**, Granville, NY (US);  
**Sarah Warren**, Granville, NY (US)

(73) Assignee: **TELESCOPE CASUAL  
FURNITURE, INC.**, Granville, NY  
(US)

(\*\*) Term: **15 Years**

(21) Appl. No.: **29/693,652**

(22) Filed: **Jun. 4, 2019**

(51) **LOC (13) Cl.** ..... **06-01**

(52) **U.S. Cl.**  
USPC ..... **D6/370**

(58) **Field of Classification Search**  
USPC ..... D6/333, 334, 344, 348, 349, 350, 355,  
D6/360, 361, 364, 366, 367, 369, 370,  
D6/374, 375, 379, 380, 381, 716, 716.4  
CPC ..... A47C 1/02; A47C 1/022; A47C 1/024;  
A47C 1/032; A47C 1/03255; A47C 1/11;  
A47C 1/143; A47C 3/18; A47C 3/02;  
A47C 3/025; A47C 3/026; A47C 7/002;  
A47C 7/004; A47C 7/18; A47C 7/185;  
A47C 7/36; A47C 7/46; A47C 9/007;  
A47C 11/00; A47C 11/005

See application file for complete search history.

(56) **References Cited**

**U.S. PATENT DOCUMENTS**

151,873 A 6/1874 Grant  
164,248 A 6/1875 Andrews  
198,922 A 1/1878 June  
222,190 A 12/1879 Jackson  
222,403 A 12/1879 How  
329,201 A 10/1885 Munger

451,776 A 5/1891 Sauder  
945,510 A 1/1910 Fullan  
1,125,359 A 1/1915 McDowell  
D183,887 S 11/1958 Jensen  
2,955,646 A 10/1960 Briggs  
3,003,817 A 10/1961 King

(Continued)

**FOREIGN PATENT DOCUMENTS**

CH 422252 A 5/1965  
DE 3305565 10/1984

(Continued)

**OTHER PUBLICATIONS**

Hampton Marine Grade Polymer Outdoor Furniture, available from  
Windward Design Group, Sarasota, Florida, 6-pages, Sep. 28, 2012.

(Continued)

*Primary Examiner* — R. Johnson

(74) *Attorney, Agent, or Firm* — Heslin Rothenberg  
Farley & Mesiti P.C.

(57) **CLAIM**

The ornamental design for a seat, as shown and described.

**DESCRIPTION**

FIG. 1 is a perspective view of a seat in accordance with the  
new design;

FIG. 2 is a front elevational view thereof;

FIG. 3 is a right side elevational view thereof;

FIG. 4 is a left side elevational view thereof;

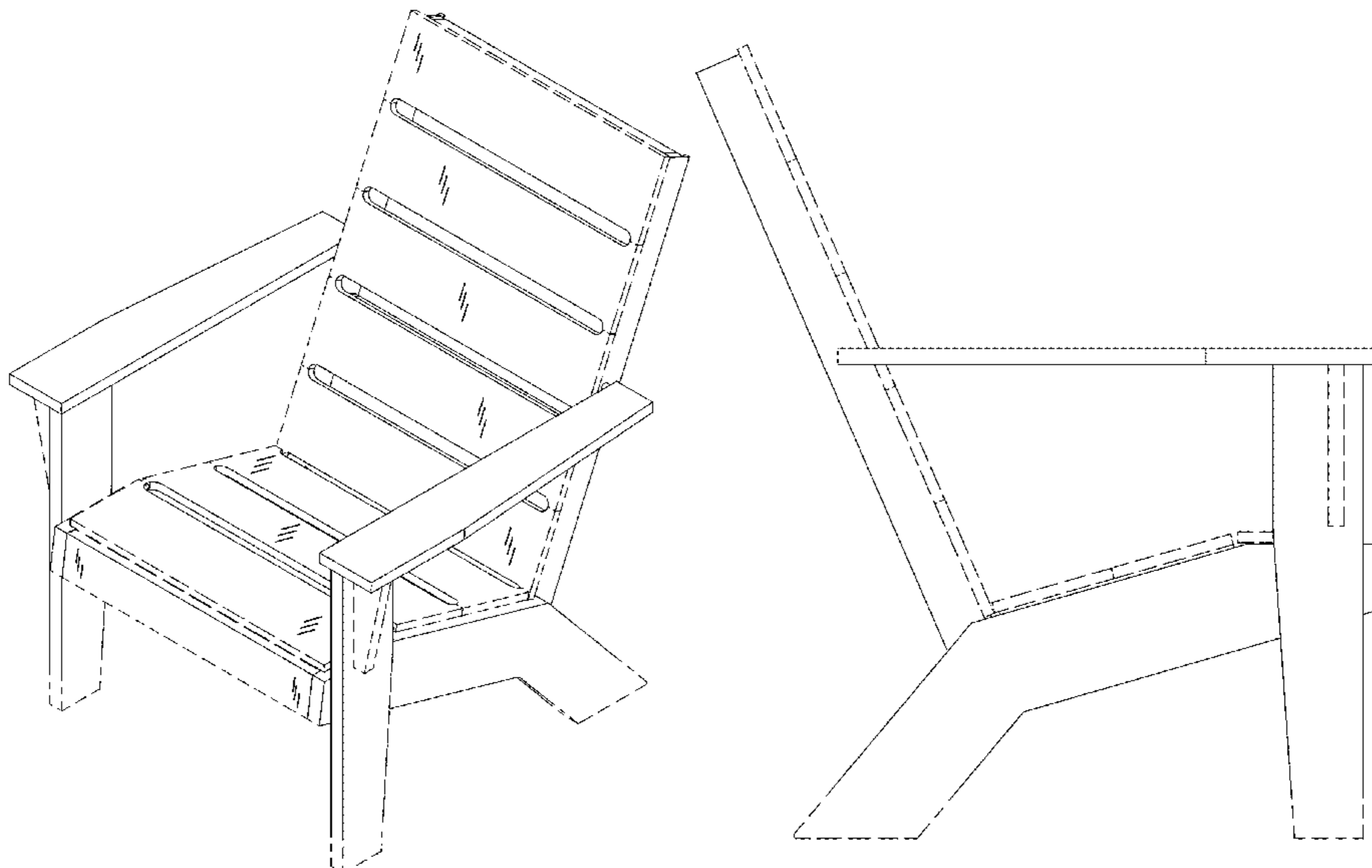
FIG. 5 is a rear elevational view thereof; and,

FIG. 6 is a top view thereof.

The broken lines in the drawings illustrate portions of the  
seat which form no part of the claimed design.

The dash-dot-dash lines in the drawings represent the  
boundary of the claimed design.

**1 Claim, 6 Drawing Sheets**



(56)

References Cited

U.S. PATENT DOCUMENTS

3,054,643 A 9/1962 Militano  
 D193,843 S 10/1962 Ohlsson  
 3,205,008 A 9/1965 Murray et al.  
 3,230,012 A 1/1966 Beckman et al.  
 3,674,068 A 7/1972 Lucci  
 D233,494 S 11/1974 Bolyos  
 D259,679 S \* 6/1981 Sroub ..... D6/361  
 4,302,048 A 11/1981 Yount  
 4,318,570 A 3/1982 Adam et al.  
 4,395,071 A 7/1983 Laird  
 5,112,110 A 5/1992 Perkins  
 D332,355 S 1/1993 Maruya et al.  
 5,509,720 A 4/1996 Croom  
 5,762,440 A 6/1998 Bedouch  
 5,769,500 A 6/1998 Holbrook  
 D450,937 S \* 11/2001 Pomeroy ..... D6/344  
 D454,439 S \* 3/2002 Hutton ..... D6/361  
 6,779,849 B1 8/2004 Harper et al.  
 7,140,689 B2 11/2006 Zheng  
 D545,075 S \* 6/2007 Hunziker ..... D6/361  
 D646,071 S \* 10/2011 Bogdan ..... D6/370  
 D648,557 S 11/2011 Frinier  
 8,087,730 B2 1/2012 Leng  
 8,511,753 B2 8/2013 Huang  
 8,528,979 B2 9/2013 College  
 D690,952 S 10/2013 Becker  
 D708,452 S 7/2014 Garcia  
 D713,163 S \* 9/2014 Pedersen ..... D6/370  
 8,931,849 B2 1/2015 Kusch et al.  
 9,161,629 B2 10/2015 Huang  
 9,265,350 B2 2/2016 Davotian  
 D792,121 S 7/2017 Pedersen  
 D802,958 S 11/2017 Lowsky  
 9,810,253 B2 11/2017 Koelling  
 D805,316 S 12/2017 Lowsky  
 D814,821 S 4/2018 Velez  
 D825,213 S \* 8/2018 Sagnier ..... D6/361  
 D825,214 S \* 8/2018 Milá Sagnier ..... D6/370  
 D848,172 S 5/2019 Tham et al.  
 D865,425 S 11/2019 Snowden  
 D899,801 S \* 10/2020 White, III ..... D6/370  
 D906,713 S \* 1/2021 White, III ..... D6/370  
 D927,216 S \* 8/2021 Warren ..... D6/379  
 D933,389 S \* 10/2021 Xiao ..... D6/370  
 2014/0270932 A1 9/2014 Tseng  
 2017/0164745 A1 6/2017 Huang

FOREIGN PATENT DOCUMENTS

DE 29511436 11/1995  
 FR 799576 A 6/1936

FR 1097948 7/1955  
 FR 2574876 6/1986  
 FR 3010749 4/2016

OTHER PUBLICATIONS

Adirondack MGP Sling, available from Telescope Casual Furniture, Granville, New York, 2016 Telescope Casual Furniture Catalog cover page, p. 40, p. 41, and rear page, Jul. 1, 2015.  
 Windward Deep Seat Collection, available from Telescope Casual Furniture, Granville, New York, 2010 Telescope Casual Furniture Catalog cover page, pp. 2-5, and rear page, Jul. 1, 2009.  
 Windward Sling Collection, available from Telescope Casual Furniture, Granville, New York, 2010 Telescope Casual Furniture Catalog cover page, pp. 29-30, and rear page, Jul. 1, 2009.  
 Kingston Solid MGP Dining Chair, available from Windward Design Group, Sarasota, Florida, (Wayback Verification Crawl presence date Apr. 28, 2017, <https://web.archive.org/web/20170428035343/http://www.windwarddesigngroup.com/>). 6 pages, Apr. 28, 2017.  
 Jacob S. Warren, U.S. Appl. No. 16/431,380, filed Jun. 4, 2019 Jun. 4, 2019.  
 Jacob S. Warren and Sarah Warren, U.S. Appl. No. 29/692,098, filed May 22, 2019 May 22, 2019.  
 Hudson Chair, available from Telescope Casual Furniture, Granville, New York, 2019 Telescope Casual Furniture Catalog cover page, pp. 30-33, and rear page Jul. 1, 2018.  
 Wexler Collection, designed by Jacob Warren and Sarah Warren, available from Telescope Casual Furniture, Granville, New York, 2019 Telescope Casual Furniture Catalog cover page, pp. 10-13, and rear page, Jul. 1, 2018.  
 Arcadia Chair, available from Rejuvenation, Portland, Oregon, Kalie Eyman, "5 Ways to Prep Your Home for Spring" printout available on Jun. 3, 2019, at <https://ideas.rejuvenation.com/prep-for-spring/>, 7 pages, Mar. 15, 2019.  
 Adirondack MGP Chair, available from Telescope Casual Furniture, Granville, New York, 2016 Telescope Casual Furniture Catalog cover page, p. 22, p. 23, and rear page, Jul. 1, 2015.  
 Telescope Casual 2016 Catalog, Telescope Casual Furniture, Inc., Granville, New York, 100 pages, Jul. 1, 2015.  
 Telescope Casual 2017 Catalog, Telescope Casual Furniture, Inc., Granville, New York, 100 pages, Jul. 1, 2016.  
 Telescope Casual 2018 Catalog, Telescope Casual Furniture, Inc., Granville, New York, 100 pages, Jul. 1, 2017.  
 Telescope Casual 2019 Catalog, Telescope Casual Furniture, Inc., Granville, New York, 100 pages, Jul. 1, 2018.

\* cited by examiner

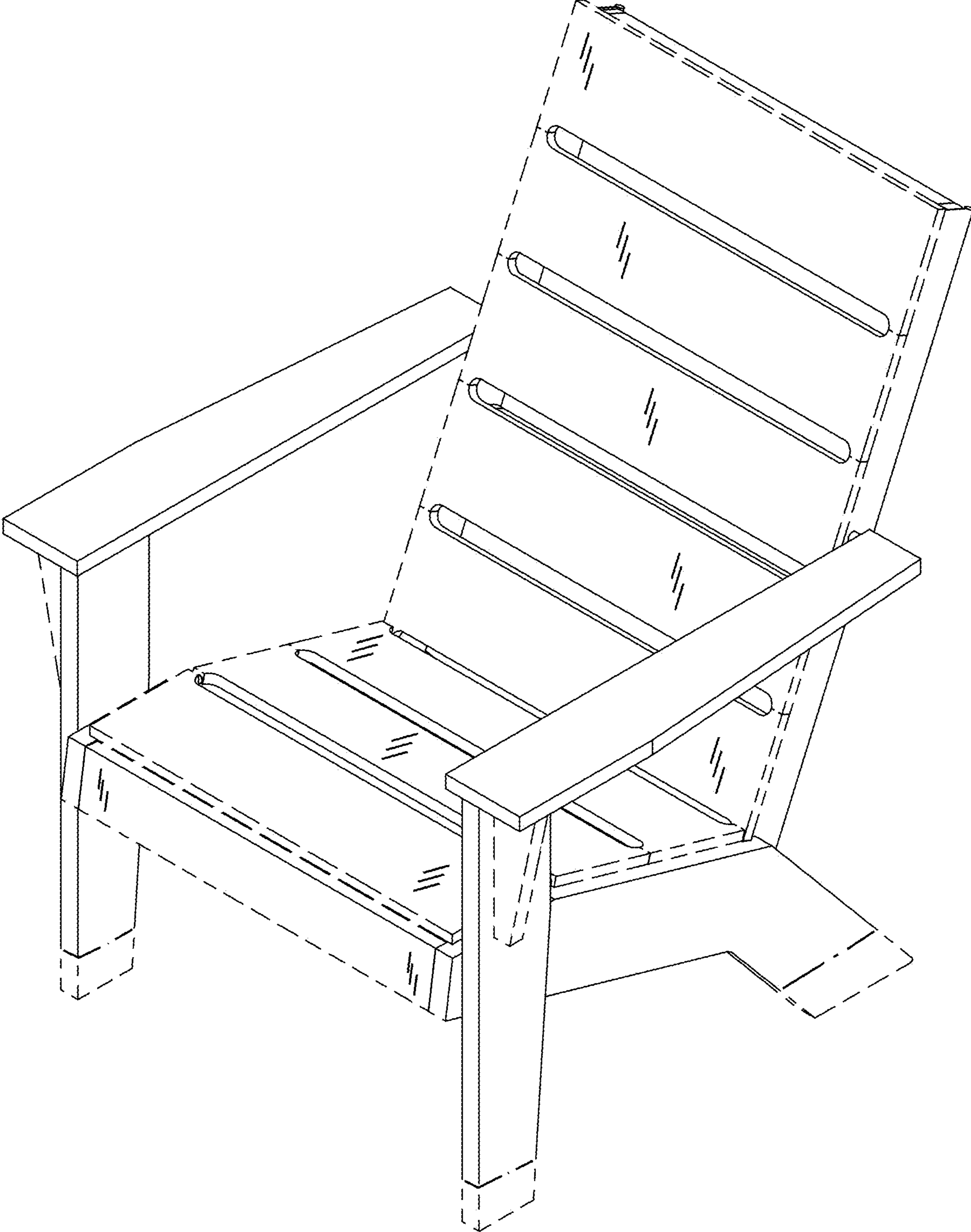


FIG. 1

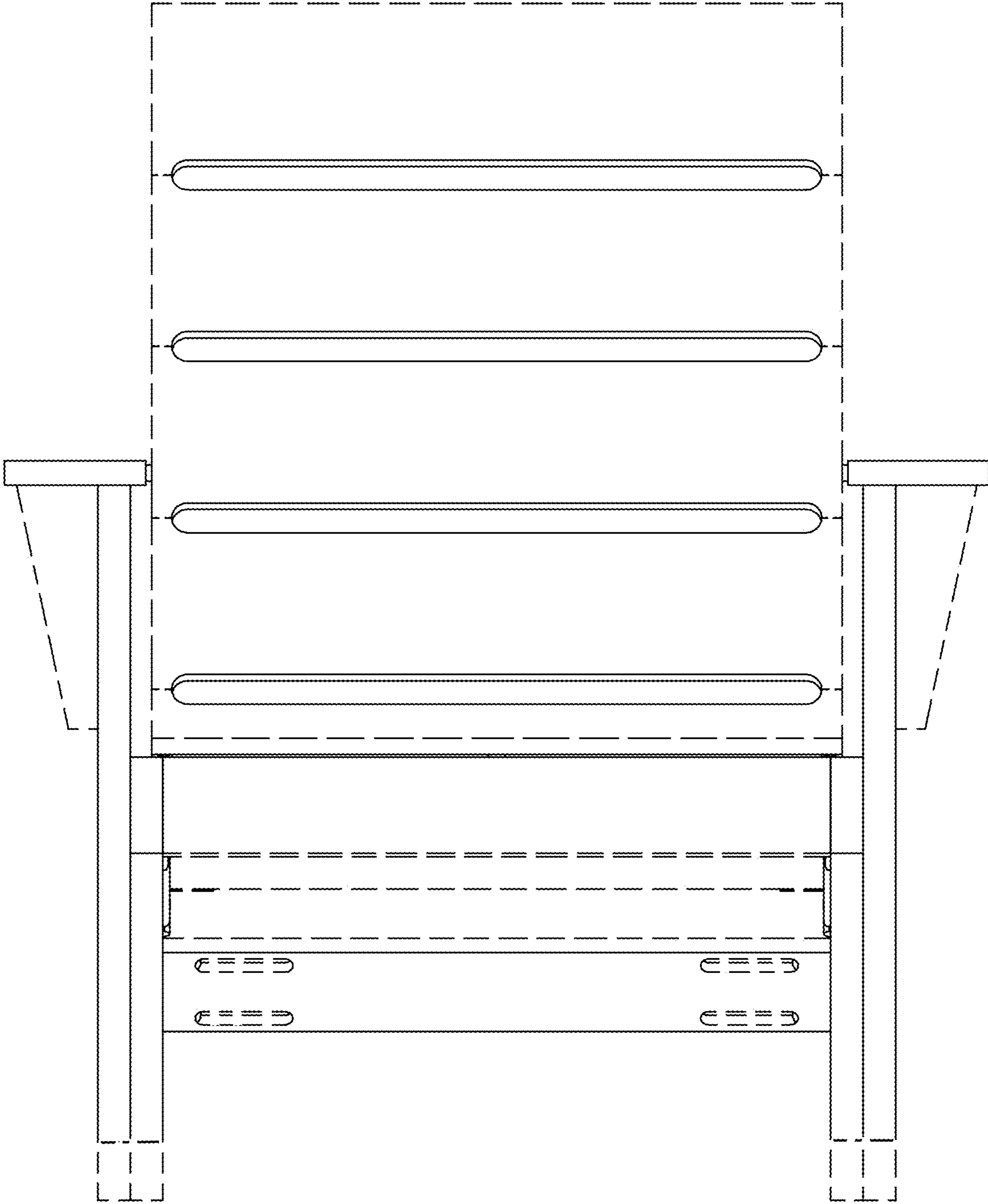


FIG. 2

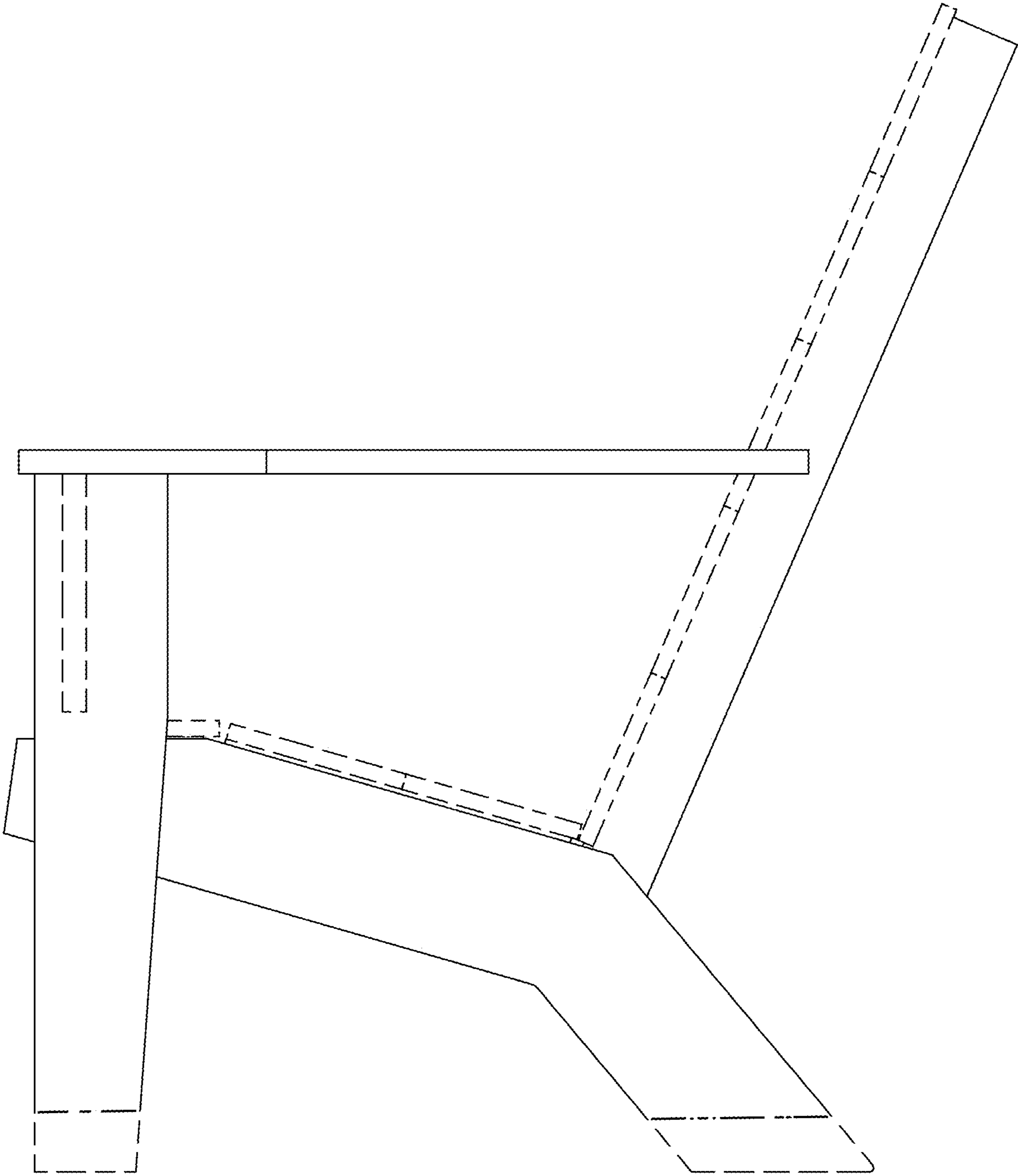


FIG. 3

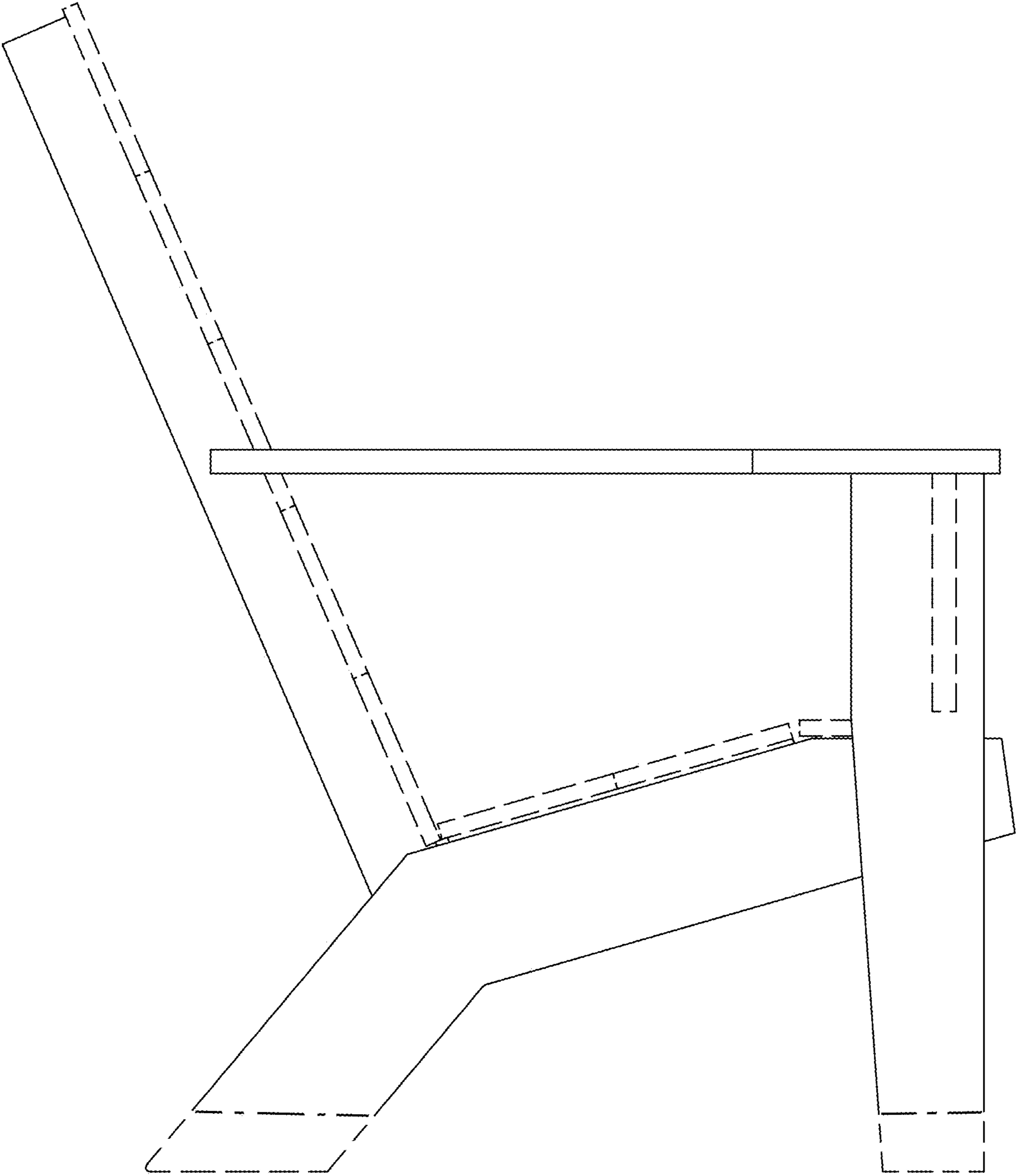


FIG. 4

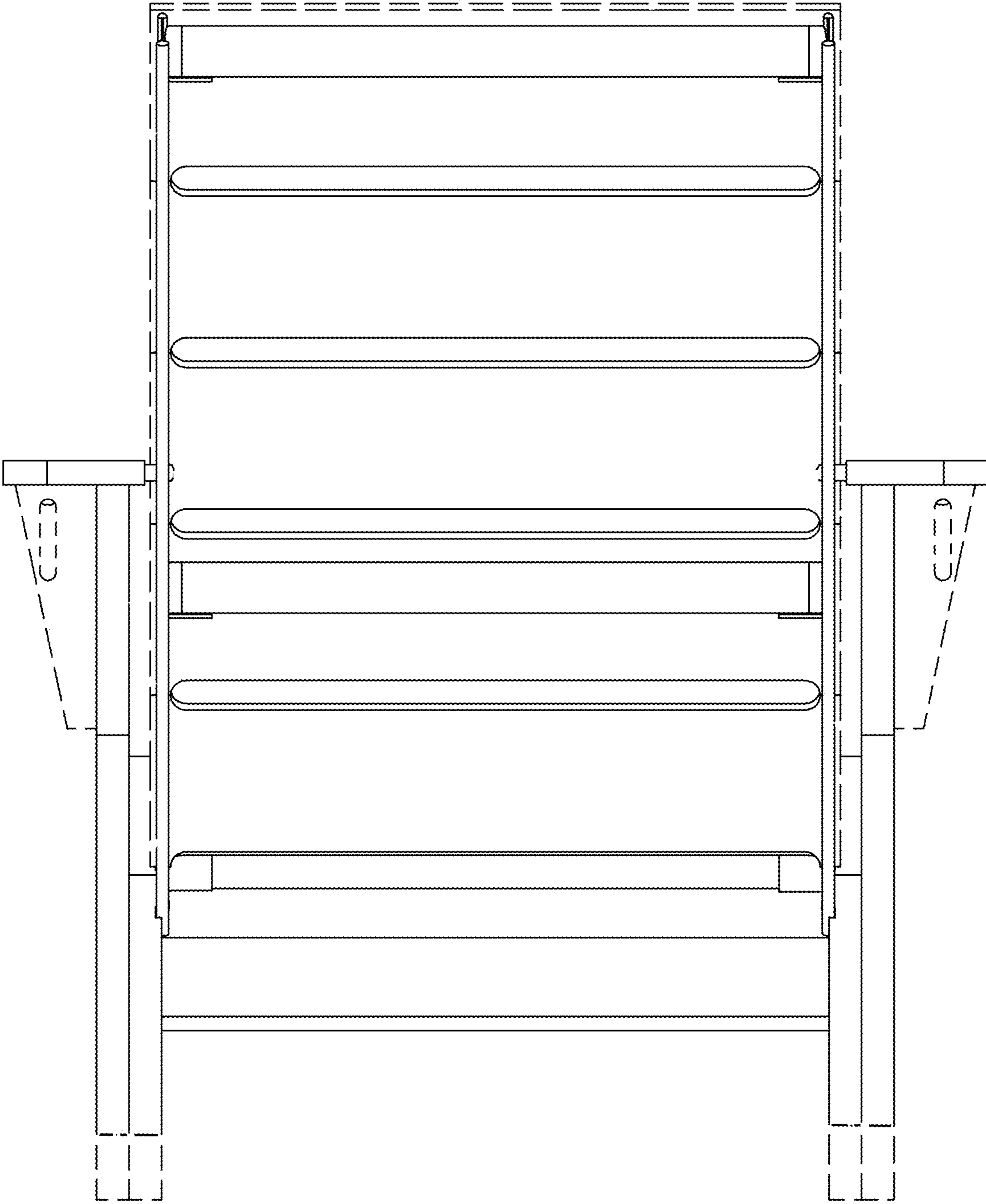


FIG. 5

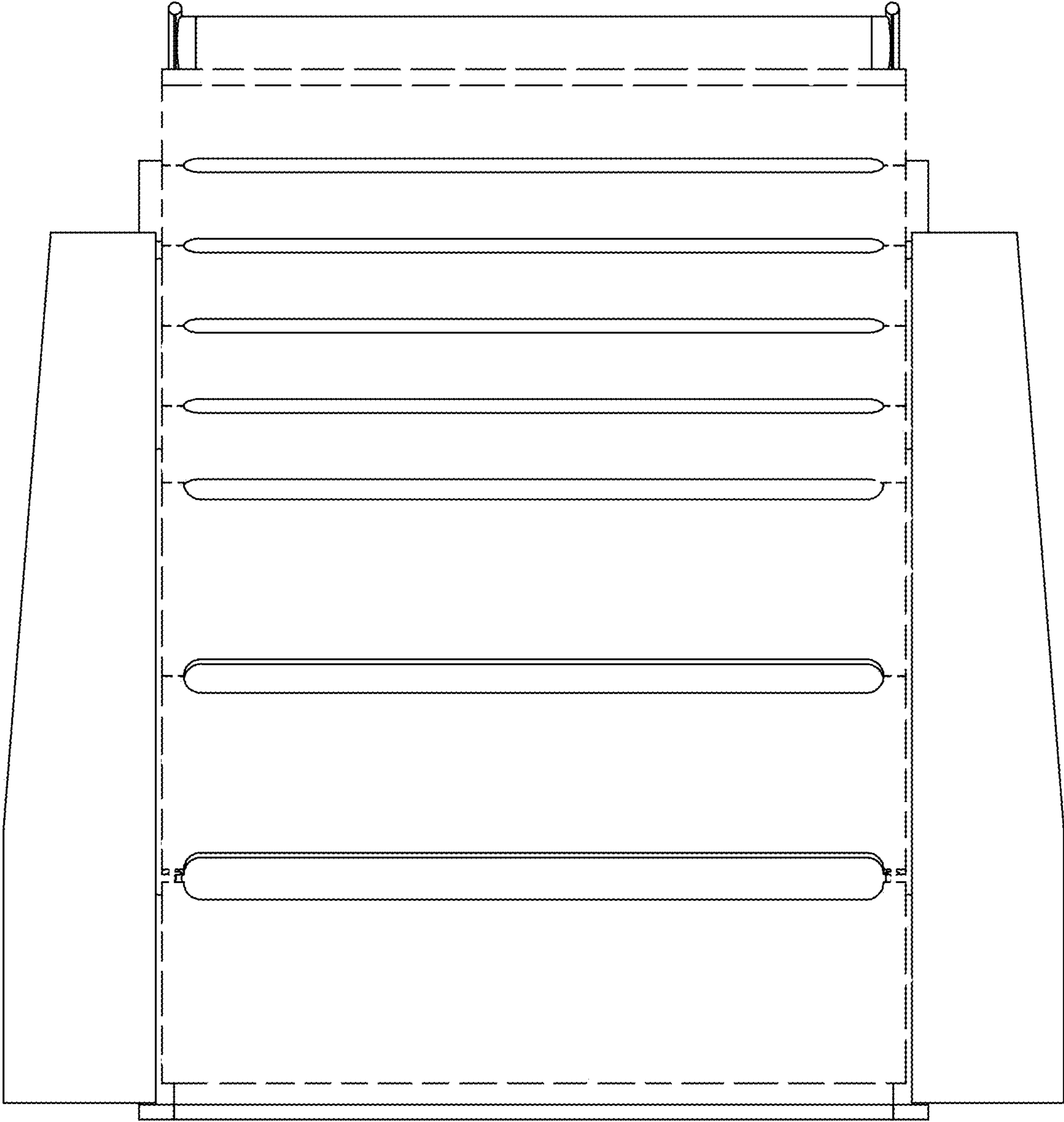


FIG. 6