

US00D961282S

(12) **United States Design Patent** (10) **Patent No.:** **US D961,282 S**
Leng (45) **Date of Patent:** **** Aug. 23, 2022**

(54) **FOLDING CHAIR**
(71) Applicant: **NEW-TEC INTEGRATION (XIAMEN) CO., LTD.**, Xiamen (CN)
(72) Inventor: **Luhao Leng**, Xiamen (CN)
(73) Assignee: **New-Tec Integration (Xiamen) Co., Ltd.**, Fujian (CN)
(**) Term: **15 Years**
(21) Appl. No.: **29/684,234**
(22) Filed: **Mar. 19, 2019**
(51) **LOC (13) Cl.** **06-01**
(52) **U.S. Cl.**
USPC **D6/368**
(58) **Field of Classification Search**
USPC D6/366, 368, 374, 380, 339, 716.4; D25/64
CPC A47C 3/04; A47C 4/24; A47C 4/28; A47C 4/38; A47C 7/282; H01J 49/42; H01J 49/063; H01J 49/4215; H01J 49/4255; Y10T 403/7171; Y10T 403/7194; A47B 83/02; A47D 1/004; A47D 1/0081; A47D 1/002; A47D 1/0085

See application file for complete search history.

(56) **References Cited**

U.S. PATENT DOCUMENTS

1,873,768 A * 8/1932 Alberts A47C 4/06 297/56
D107,545 S * 12/1937 O'Connor D6/368
2,350,895 A * 6/1944 Hoover, Jr. A47C 4/14 297/58
2,364,093 A * 12/1944 John A47C 7/40 297/452.21
2,753,922 A * 7/1956 Grimland A47C 4/24 297/58
2,757,715 A * 8/1956 Hendrickson A47C 4/24 297/58
D186,505 S * 11/1959 King et al. 297/46

3,695,687 A * 10/1972 Uyeda A47C 4/24 297/56
5,730,489 A * 3/1998 Eberle A47C 3/04 297/53
D455,568 S * 4/2002 Leng D6/368
D457,336 S * 5/2002 Leng D6/368
D468,920 S * 1/2003 Striebel D6/368
D501,613 S * 2/2005 Kaltenmark D6/368
D517,828 S * 3/2006 Magnani D6/380
D569,118 S * 5/2008 Lin D6/368
7,753,439 B2 * 7/2010 Akkad A47C 4/10 297/23
D677,921 S * 3/2013 Wen D6/368
D793,113 S * 8/2017 Lin D6/368
11,071,388 B2 * 7/2021 Leng A47C 3/40
2008/0084094 A1 * 4/2008 Voris A47C 4/20 297/16.2

(Continued)

Primary Examiner — Kevin K Rudzinski
Assistant Examiner — Paul D Bohannon
(74) *Attorney, Agent, or Firm* — Cooper Legal Group, LLC

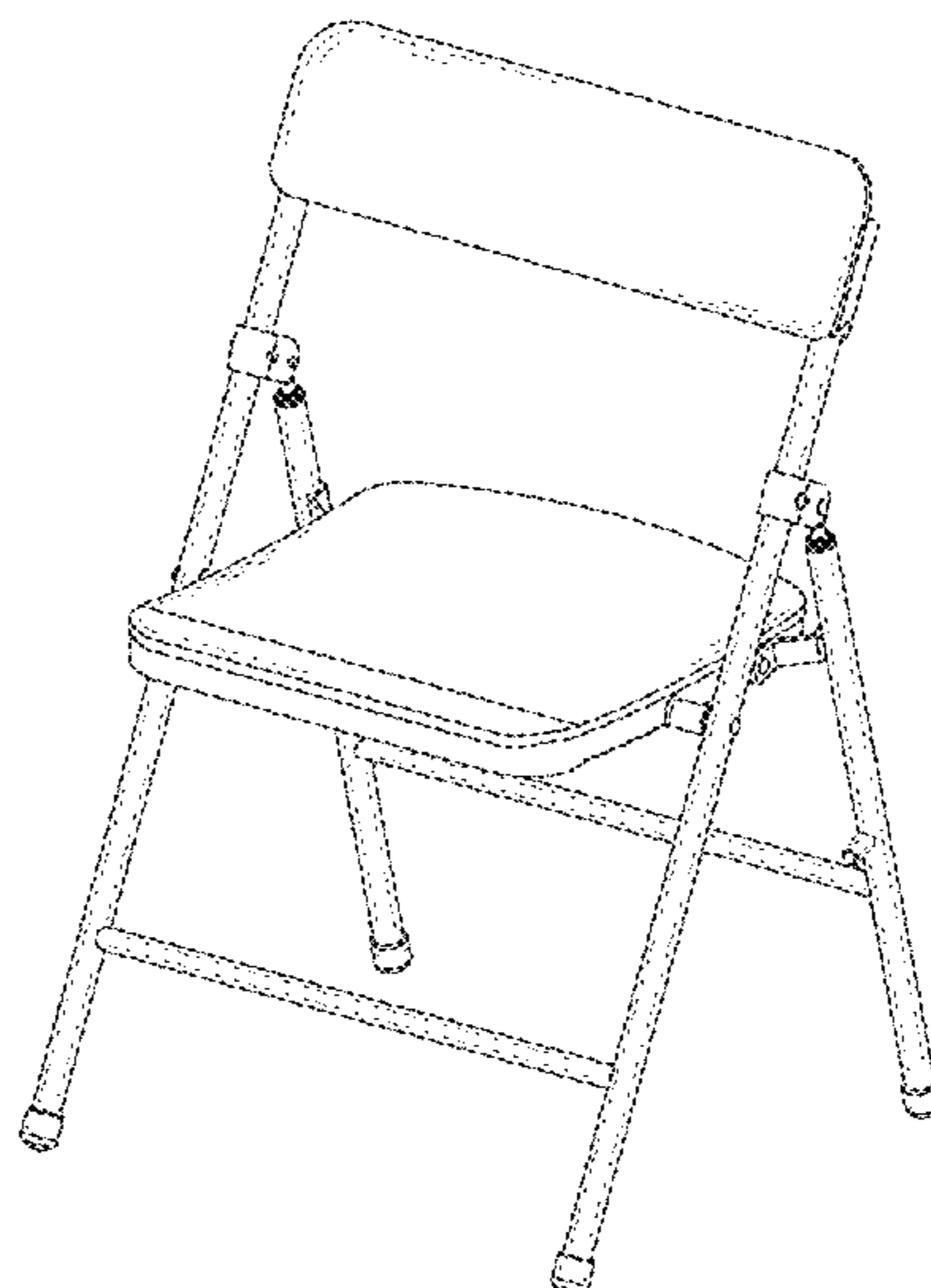
(57) **CLAIM**

The ornamental design for a folding chair, as shown and described.

DESCRIPTION

FIG. 1. is a front view of a folding chair showing my new design;
FIG. 2. is a rear view thereof;
FIG. 3. is a left side view thereof;
FIG. 4. is a right side view thereof;
FIG. 5. is a top plan view thereof;
FIG. 6. is a bottom plan thereof;
FIG. 7. is a perspective view thereof, showing an unfolded position; and,
FIG. 8. is a perspective view thereof, showing a folded position.

1 Claim, 8 Drawing Sheets



(56)

References Cited

U.S. PATENT DOCUMENTS

2008/0284215 A1* 11/2008 Stauber A47C 3/045
297/16.2
2011/0025104 A1* 2/2011 Fusao A47C 4/03
285/179
2015/0201759 A1* 7/2015 Winters A47C 4/04
297/48
2020/0138191 A1* 5/2020 Leng A47C 4/10
2021/0059414 A1* 3/2021 Leng A47C 3/34

* cited by examiner

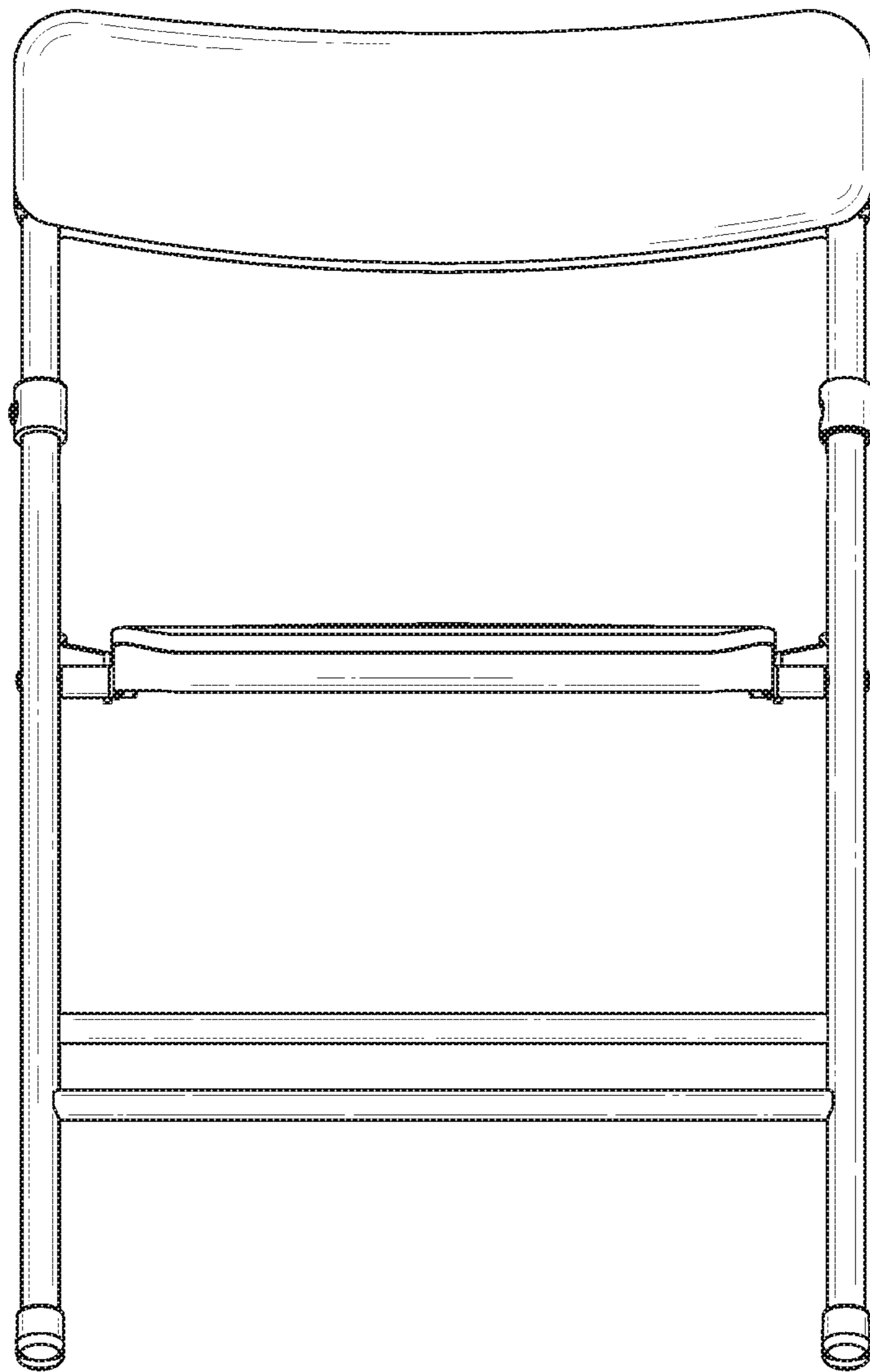


FIG. 1

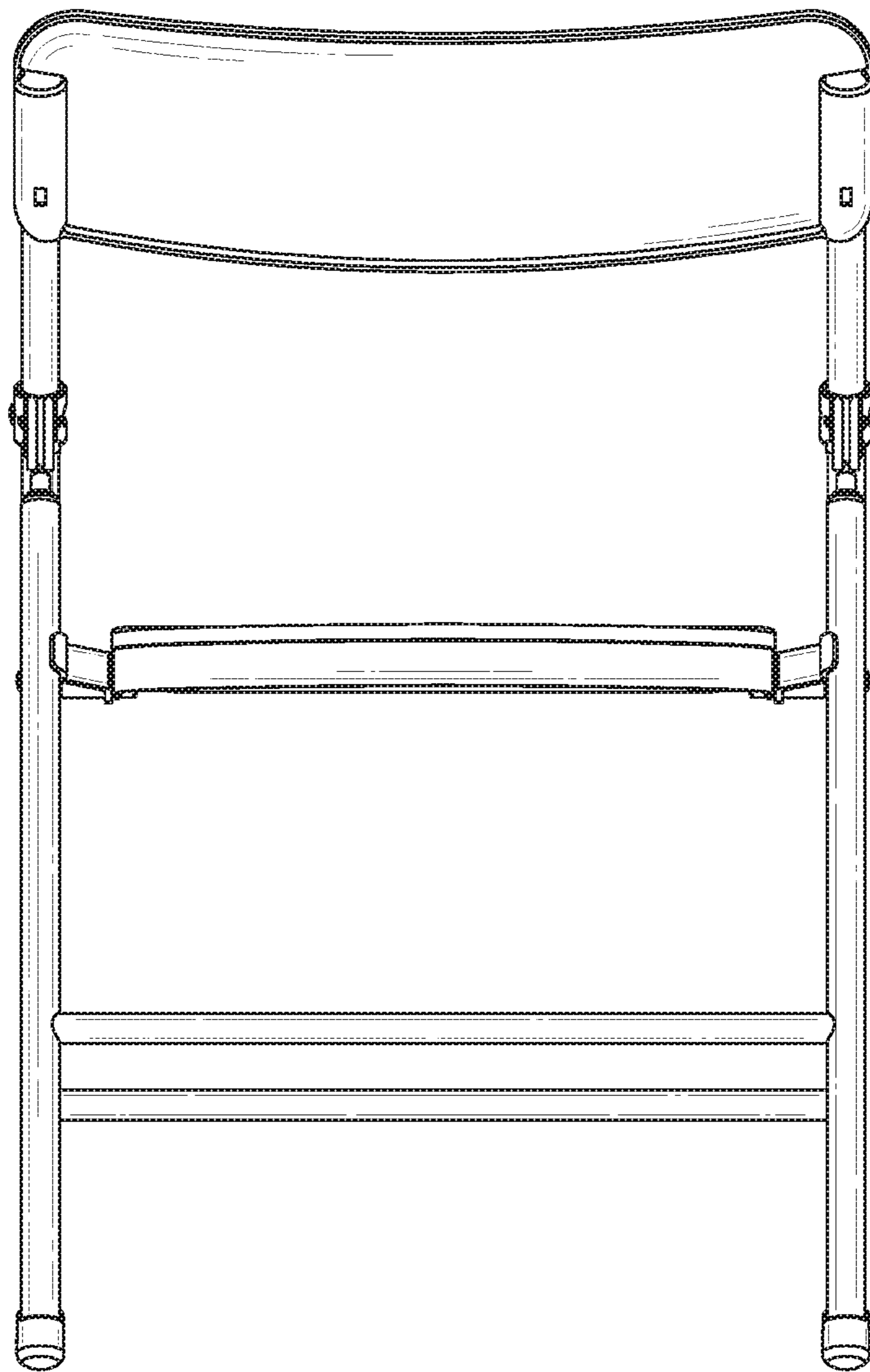


FIG. 2

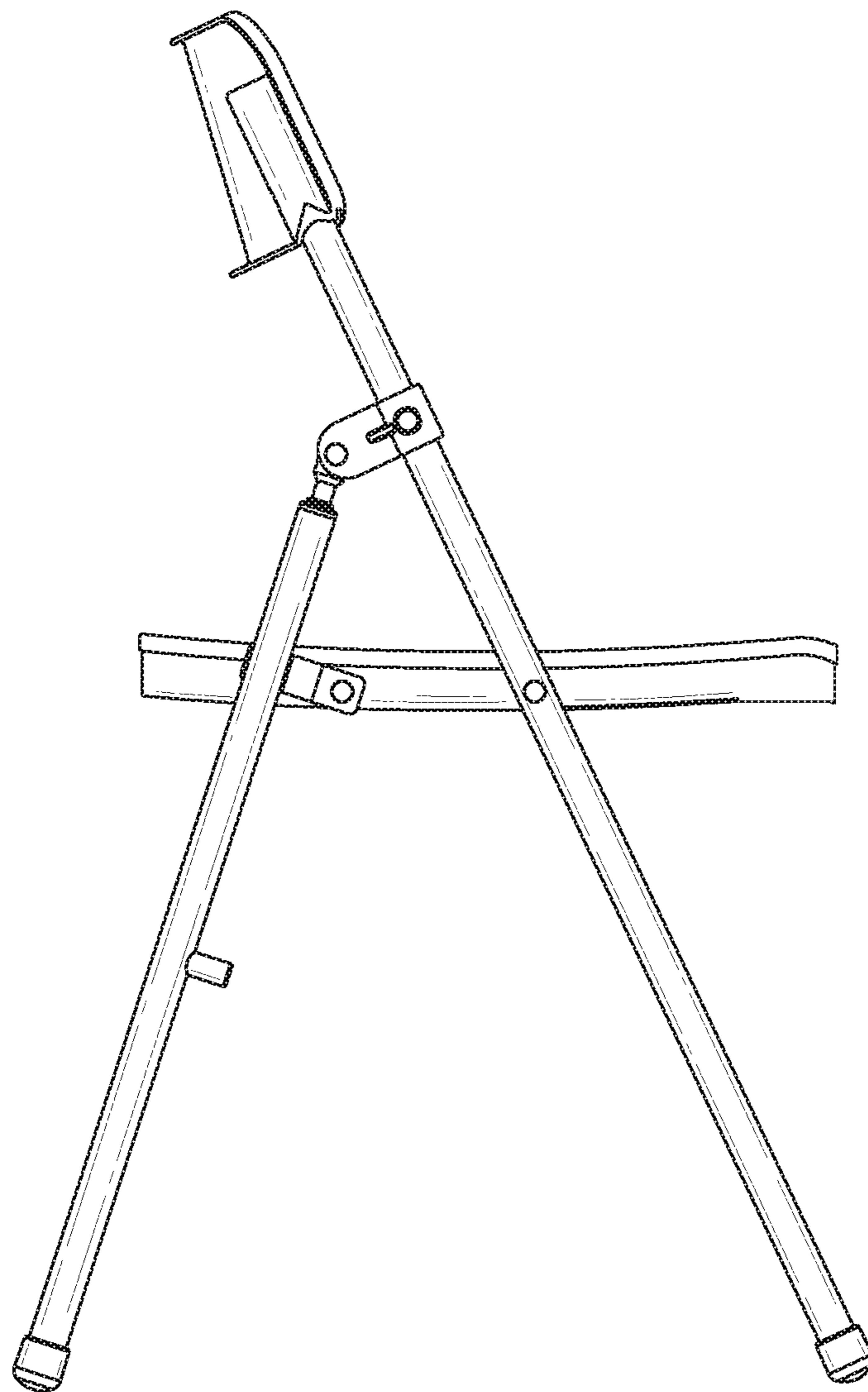


FIG. 3

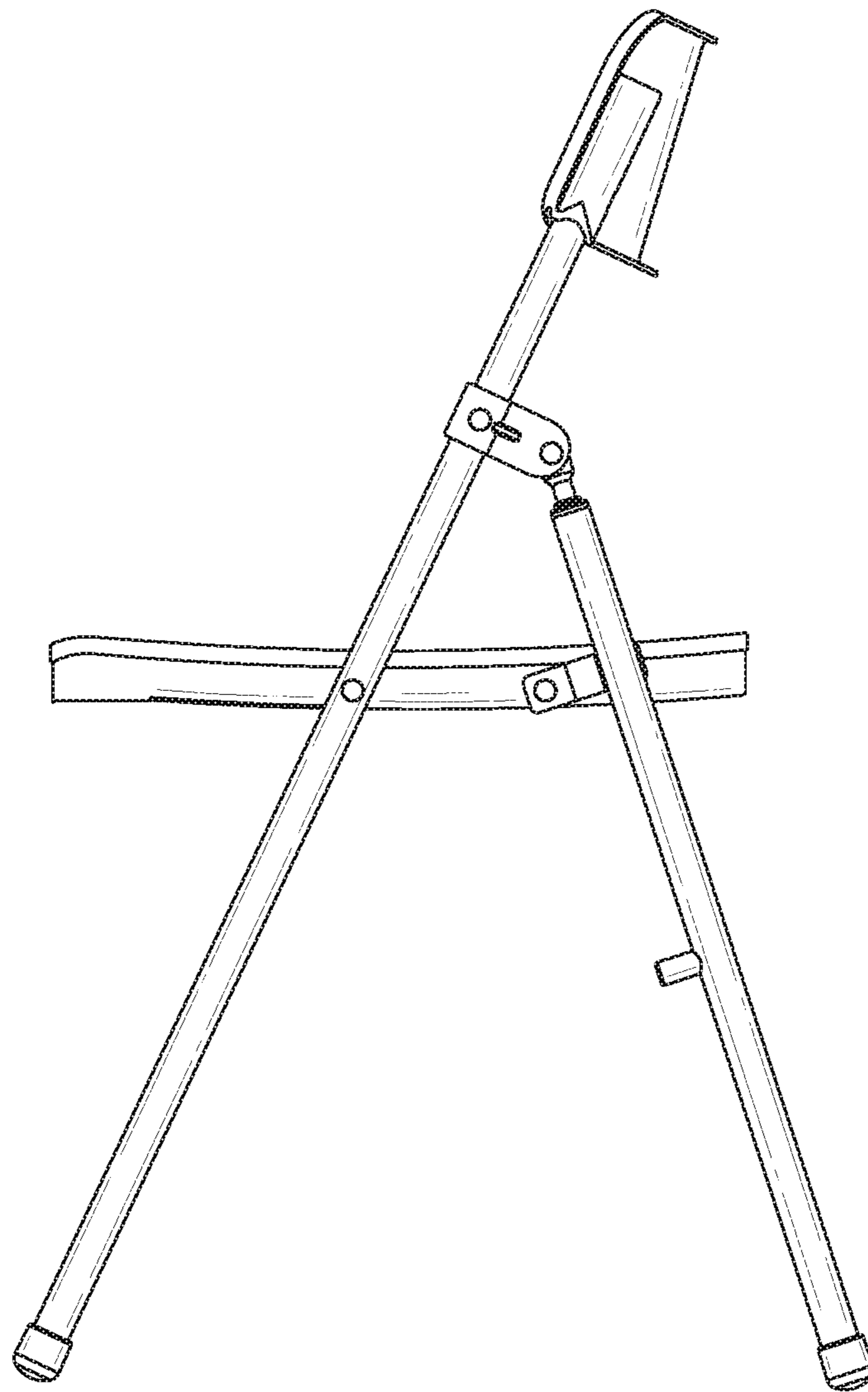


FIG. 4

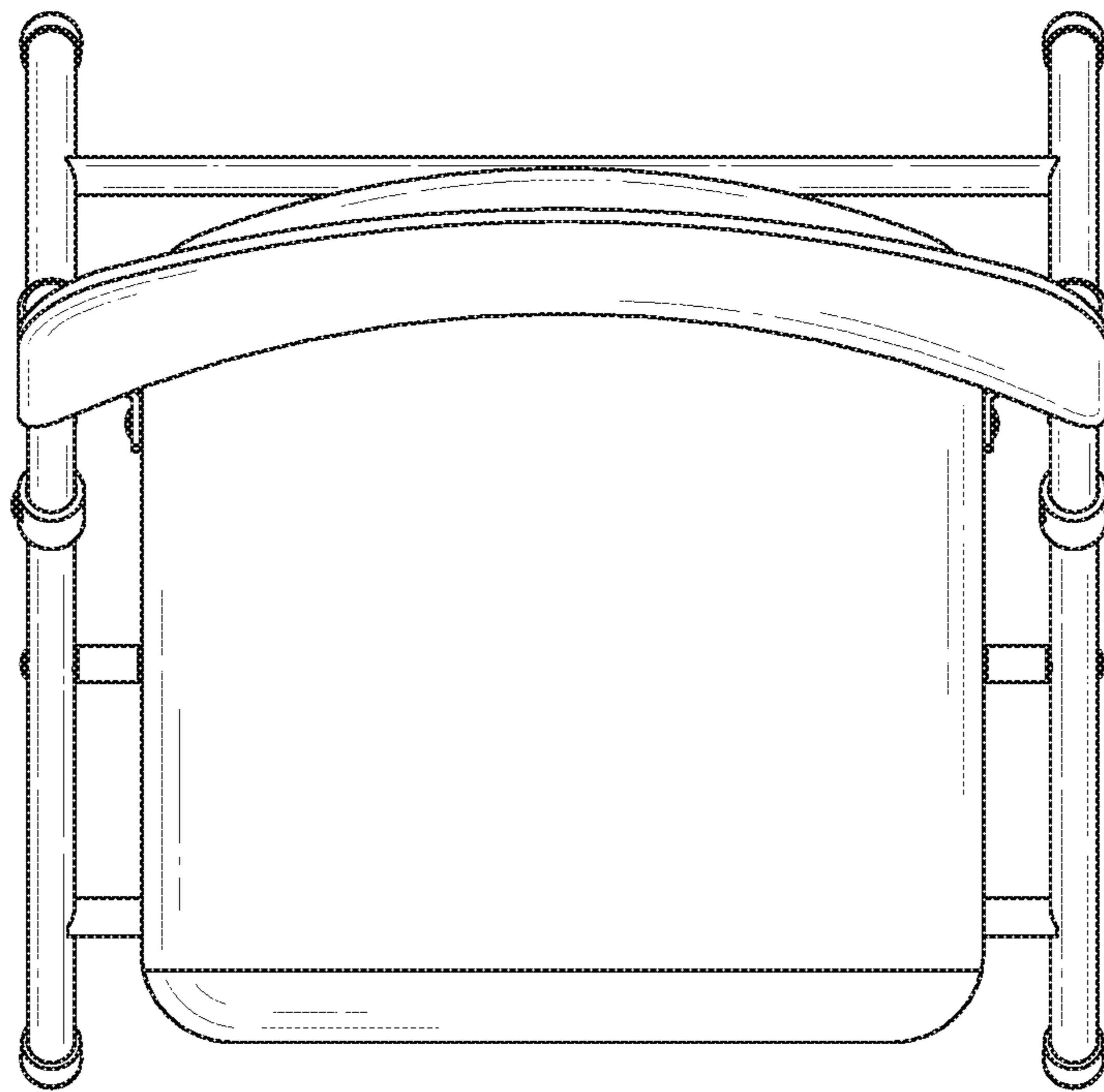


FIG. 5

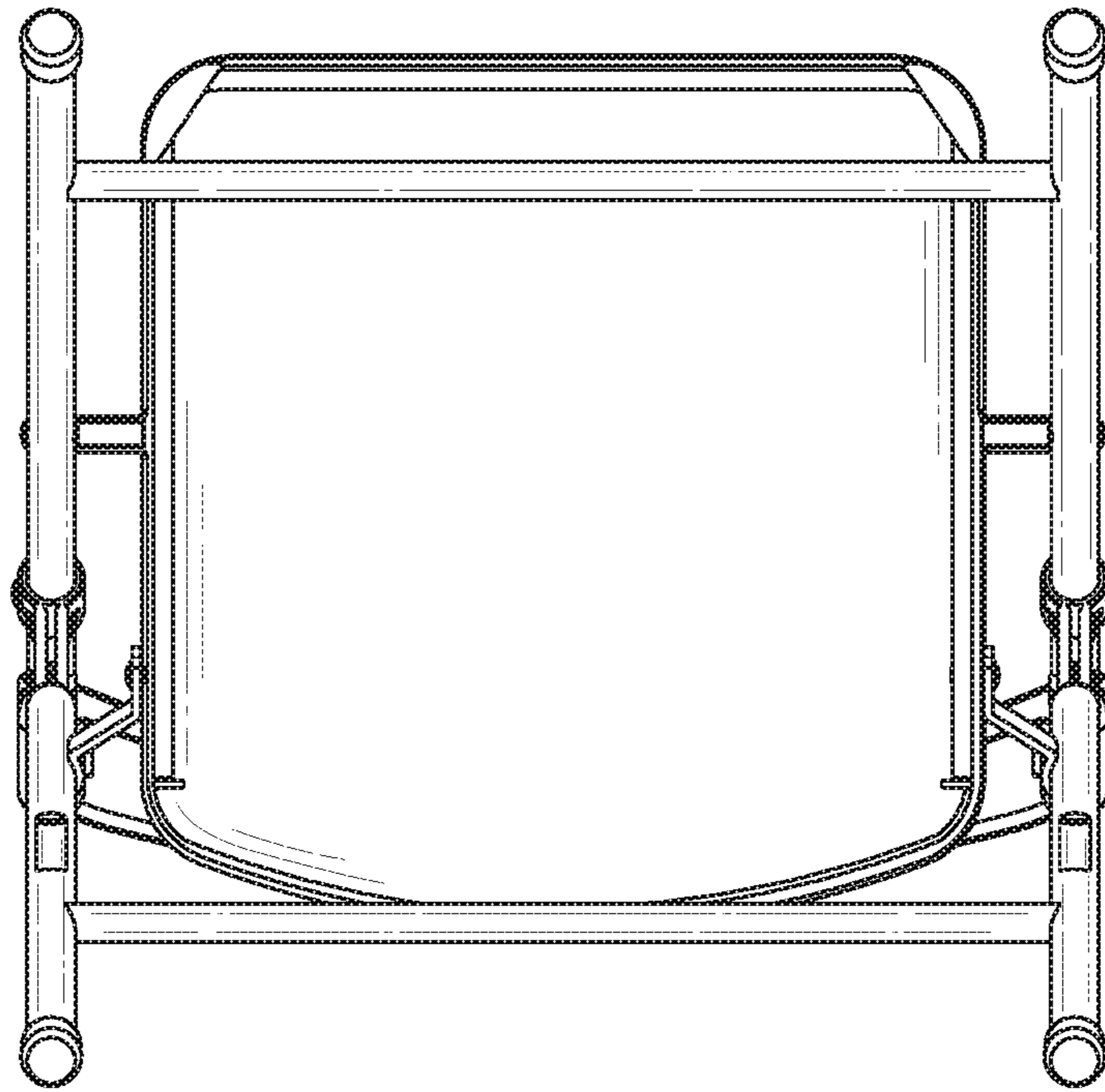


FIG. 6

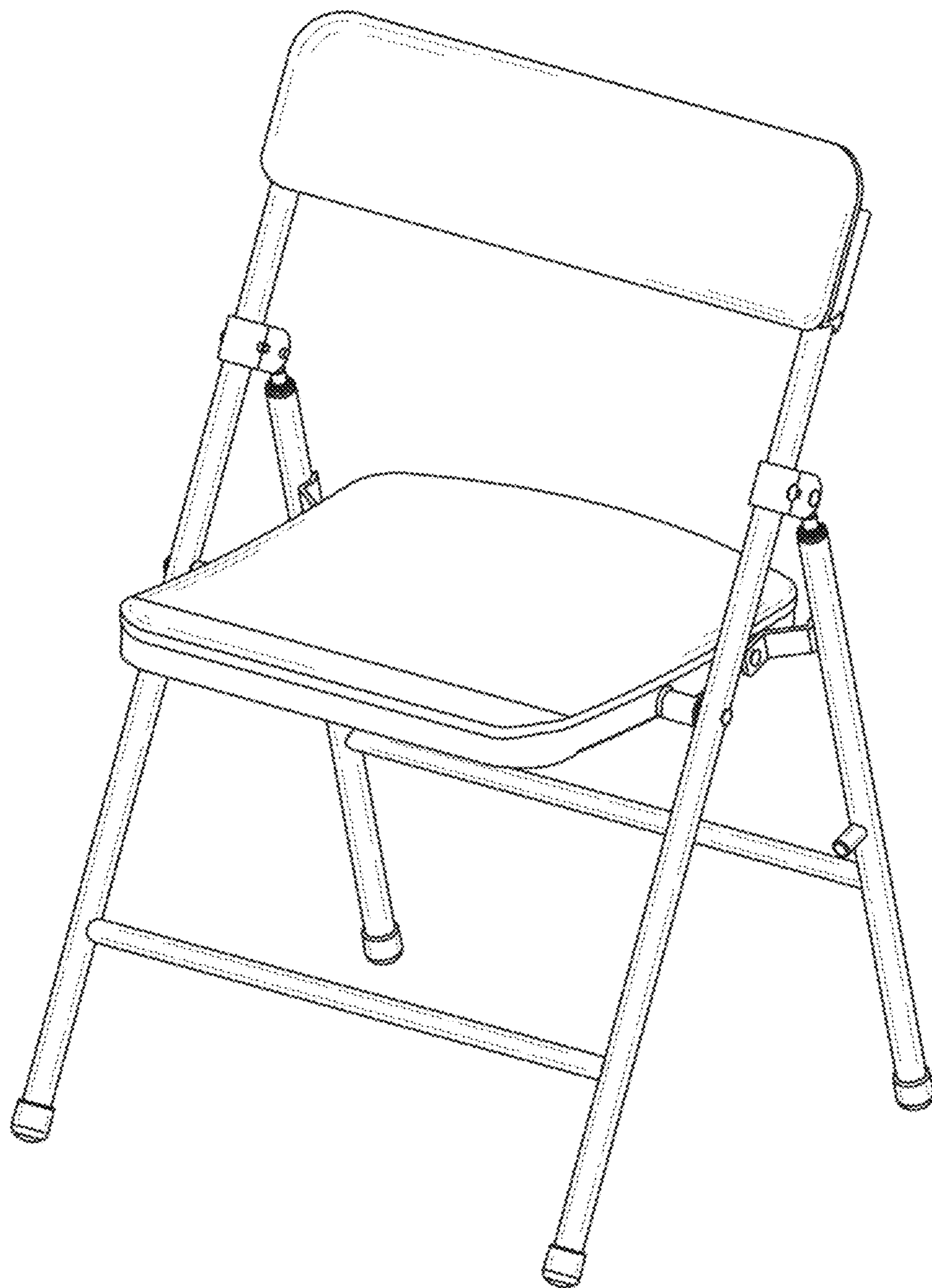


FIG. 7

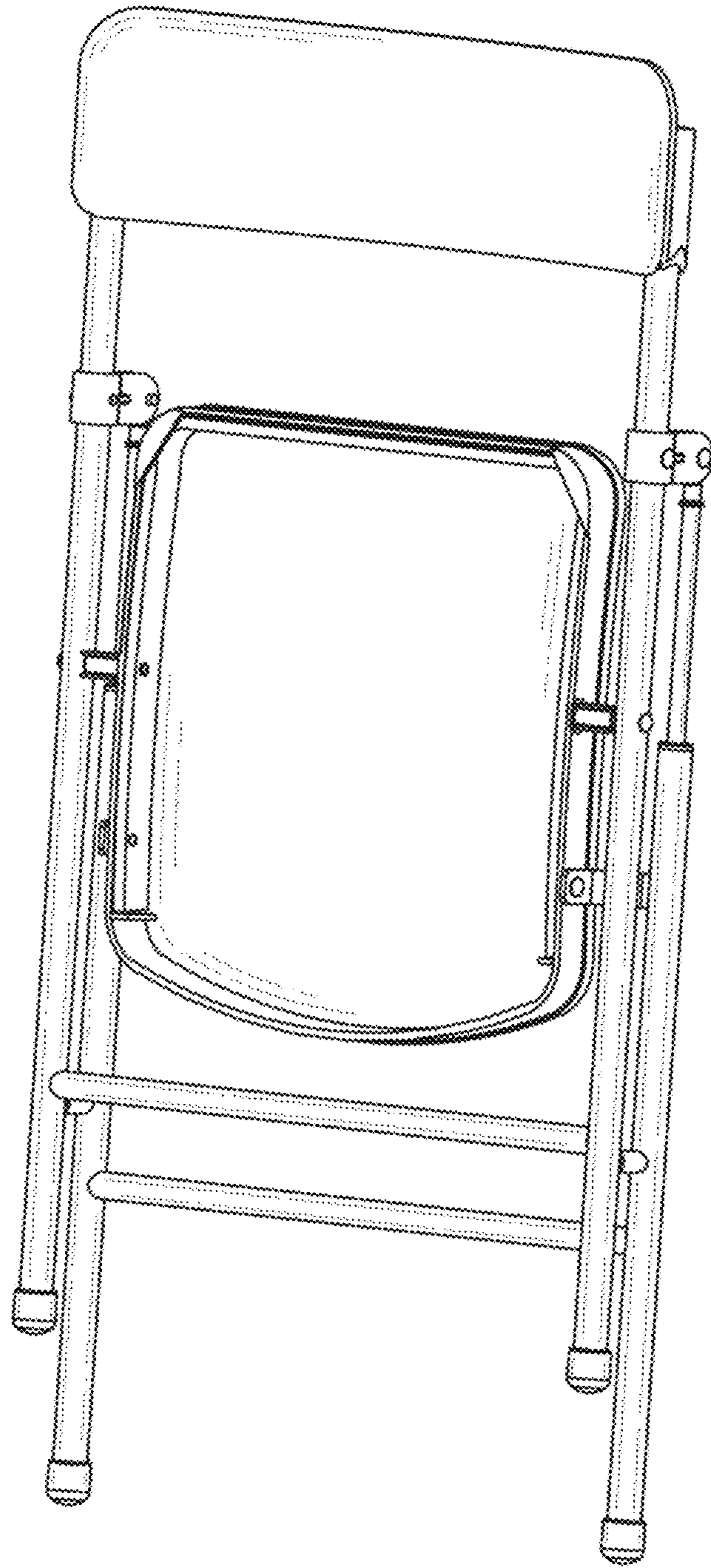


FIG. 8